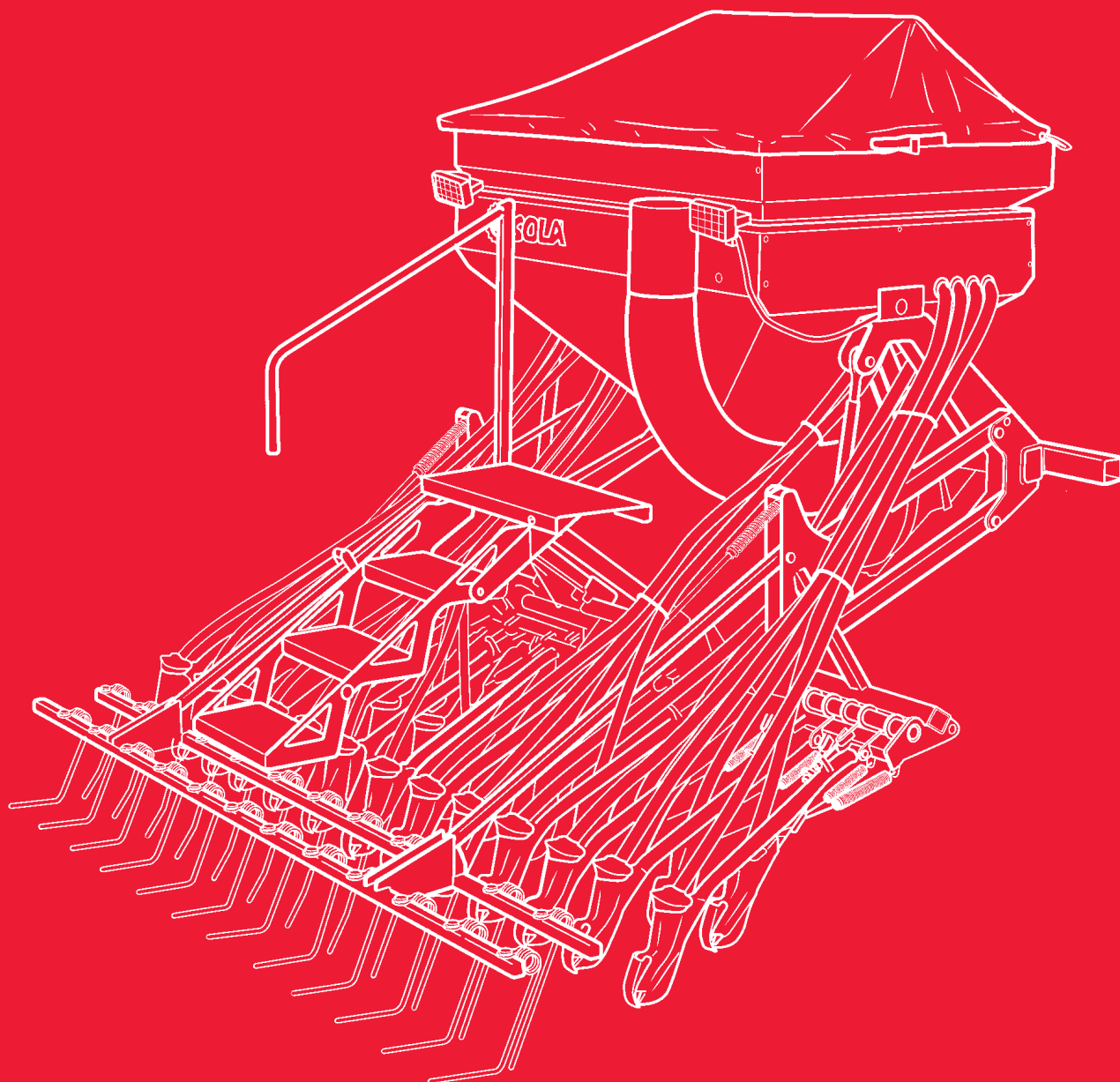




NEU-1706



**OPERATING MANUAL
MAINTENANCE ADJUSTMENTS
SPARE PARTS**

Please read carefully prior to operation

Seed Drills and Fertilizer Spreaders SOLA are produced in a factory particularly specialized in this kind of machines and they are guaranteed for the experience of the users. They are machines based on state-of-the-art technology and are manufactured with recognized safety requirements for doing an excellent work with a minimal maintenance. The purpose of this operating manual is to enable you to familiarise yourself with the working of your seed drill and to achieve your purposes.



Quality certificate

3 Edition – 12- 2008

Ref: CN-811044

Created by: www.ciandisseny.com

It is forbidden the total and partial reproduction

We can modify the specifications without prior notice



TABLE OF CONTENTS

1.- INTRODUCTION	5
2.- TECHNICAL SPECIFICATIONS.....	7
3.- SAFETY INSTRUCTIONS	
3.1 Safety symbols	9
3.2 Proper use	11
3.3 General arrangements	11
4.- ESSENTIAL CONCEPTS FOR SOWING	
4.1 Soil	13
4.2 Seed	13
4.3 Depth	13
5.- OPERATING	
5.1 Coupling to the harrow	15
5.2 Setting the fan belts.....	17
5.3 Dosage	18
5.4 Microdosage	22
5.5 Setting the sowing depth, NEU-1706.....	23
5.6 Setting the spring harrow	24
5.7 Hydraulic track markers (option)	25
6.- CONTROL MONITORS	
6.1 Control monitor	27
6.2 Speed – C1	28
6.3 Total width / seed drill width – C2	29
6.4 Fan speed / alarms – C4	30
6.5 Distributor – C5	31
6.6 Hopper level alarm – C6	31

7. MAINTENANCE

7.1 Greasing33
 7.2 Screw works... ..33
 7.3 Distributor head and tubes 33

8.- DOSAGE TABLE

8.1 Dosage table..... 35

9.-SPARE PARTS.....37

9.1 Chassis38
 9.2 Transmission wheel40
 9.3 Equipment arms bearer for tooth furoow and discs.....42
 9.4 Sowing arms44
 9.5 Disc arms46
 9.6 Arms of the grid.....50
 9.7 Arms 799.....52
 9.8 Hopper54
 9.9 Fan58
 9.10 Distribution62
 9.11 Spring harrow66
 9.12 Platform and rail68
 9.13 Track markers.....70

1.- INTRODUCTION

Before you proceed to operate the seed drill, please read and observe these instructions. In this way, you will avoid accidents, reduce repair costs and downtimes and increase the reliability and service life of your seed drill. This operating manual must be read and used by all persons who are required to work with the seed drill (including preparatory work, troubleshooting during operation, care), maintenance (inspection and technical servicing) and transporting. Pay particular attention to the safety instructions. SOLÀ cannot assume any liability for damage or malfunctions caused by a failure to observe the instructions contained in this operating manual. First of all, the manual will explain the Technical Specifications, the Safety Instructions, and some Essential Concepts for sowing. In the chapters PRIOR TO SOWING and MAINTENANCE, the manual will explain the basic instructions for working with the machine. This manual is finished with a Dosage Table with different types of seeds.

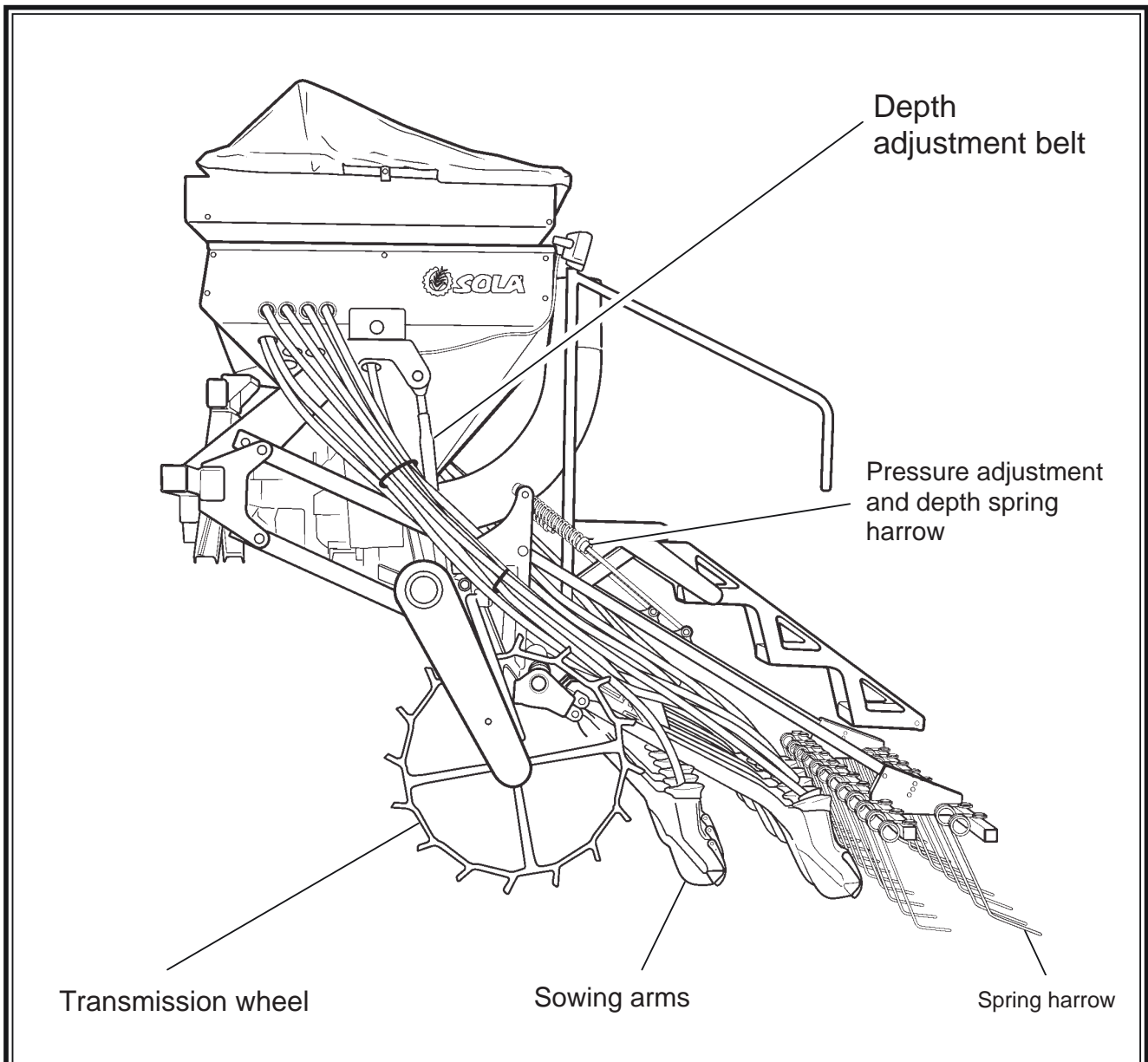


SOLÀ reserves the right to make changes to the illustrations, technical specifications and weights contained in this operating manual if SOLA makes any improvements to the seed drill

2.- TECHNICAL SPECIFICATIONS

2.1 TECHNICAL SPECIFICATIONS

Type and arms	Arms distance	Working width	Hopper capacity	Weight (kg)	Transport width
300/25	12 cm	3 m	1200 L.	1450 kg	3 m
350/29	12 cm	3,5 m	1200 L.	1510 kg	3,5 m
400/32	12,5 cm	4 m	1200 L.	1570 kg	4 m



2.2 STANDARD EQUIPMENT

-Capacity hopper: 1200 l -Selector sieve - Hectare counter - Electronic speed counter - Seed level and distributor problems alarm - Set of lights and working lamp - Spring harrow - Loading platform with access stairs - Mechanical fan - Arms with coulters - Arms with discs - Weighing machine, crank and grains counter Harrow

2.3 OPTIONAL EQUIPMENT

- Hydraulic markers - Tramlines - Manual shut-off valve - Total sowing shut-off - Hopper capacity: 1575 litres

3.- SAFETY INSTRUCTIONS

3.1 SAFETY SYMBOLS

You will find, in this operating manual, three types of safety and danger symbols:



To facilitate operation with the seed drill

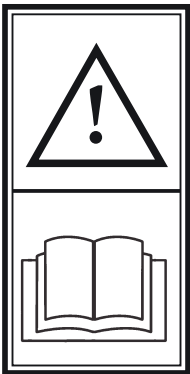


To avoid damages on the seed drill or in the optional equipments

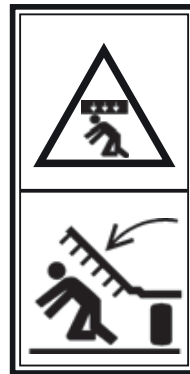


This symbol warns of the risk of injury

On the machine, you will find the following symbols



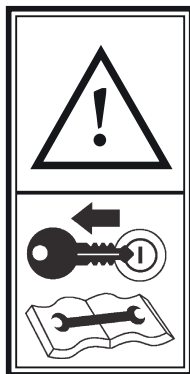
Please, read all safety instructions contained in this operation manual with care and also observe all warning signs attached to the seed drill.



Do not place under the sowing equipment or under swinging areas. Danger of serious lesions.



Stay away of the tractor back part during the coupling operation, during the coupling manoeuvre. Danger of serious lesions.



Stop the tractor engine and avoid its start during the maintenance or repairing works in the seed drill. Consult operating manual.

On the machine, you will find the following symbols:



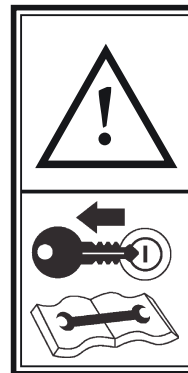
Avoid fluid escaping under pressure. Consult operating manual for service procedures. Danger of serious



Do not ride on the seed drill stairs when the machine is working. Danger of serious lesions.



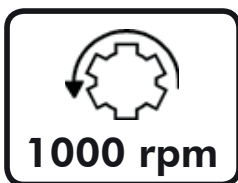
If you are working under the machine, it is very important to assure it, to avoid its collapse. Danger of serious lesions.



Stop the tractor engine and avoid its start during the maintenance or repairing works in the seed drill.



Do not place under track markers. Danger of serious lesions.



Direction and speed of the power point. (only in the machines with mechanical fan)



Couplint point to raise the machine. Danger of serious lesions.

3.2 PROPER USE

- Seed drill NEU-1706 has been produced for the agricultural works, specially for cereals sowing and the other grain seeds. - SOLA cannot be held liable for any consequential damage resulting from incorrect use, metering or distribution. - All relevant accident prevention regulations, as well as other generally acknowledged safety and road traffic regulations, must be observed. - SOLA seed drills are intended for sowing. Any uses other than those will automatically exempt SOLA from its/his liability in respect on ensuing damages.

3.3 GENERAL SAFETY ARRANGEMENTS

- Before to start the machine, it is very important to read the operation safety and road safety. - Road traffic regulations must be observed when towing the seed drill on roads. - No persons may be allowed to ride on the seed drill during the work and during the transport. - Before to bring into operation the machine, it is very important to know the parts and the elements. - Be extremely careful when coupling and uncoupling the seed drill to tractor. This operation involves a high risk of injury.

- The transmission of the power point must be fitted with a protective equipment and in good conditions. - Avoid the turns of the protector tube with the chain. The side of the clutch will be fit in the seed drill. - The transmission of the power point must be fitted when engine is stopped. - Before to connect the power point, make sure that nobody is standing in dangerous proximity to the seed drill. - Do not never abandon the seat drive during the work - Do not place strange elements inside the hopper - Before carrying out care or maintenance work, always de-pressurize the hydraulic system and switch off the p.t.o. shaft and the tractor engine. - The hydraulic system generates extremely high pressures. All piping, hoses and connections must therefore be checked regularly for leakage and visible external damage. Useful life for these elements is not more than six years. You must change them after this time. - When the seed drill is raised, the tractor front axle discharges. Verify that the charge is enough to avoid lodging danger. In this situation, verify direction and braking capacity. - During the transport with the seed drill raised, block the descent control. Before descending of the tractor, place the machine on the ground and remove starting keys. - Be extremely careful when working with the machine in raised position. Use support elements to avoid a possible descent of the machine.

4. ESSENTIAL CONCEPTS FOR SOWING

4.1 GROUND

Better soil condition is, best quality of sowing. Over big clods or variable furrows it is not possible to do a good work. Although SOLA machines are able to take hard efforts in extreme conditions, sowing will not be of good quality if the sowing land has not adequate conditions.

4.2 THE SEED

It is very important to use quality and clean seed, and, in the barley case, very well trimmed.

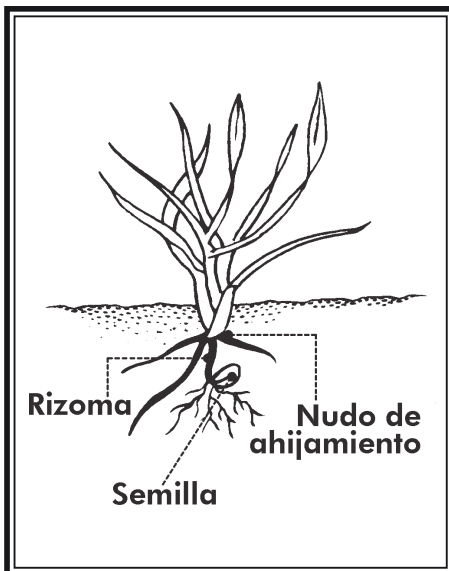
4.3 THE SOWING DEPTH

The suggested sowing depth is from 3 to 5 cm. To deeply too much is an error as the seed can not get the surface and death. It does not matter if some grains are visible as the harrow tines will cover them. . Sowing depth has influence in the birth, vigour of the plant and consequently in its resistance to both frost and drought. The sprouting node will be always between 1 or 2 cm. under the surface, independently of the sowing depth. Deep sowing does not mean to have deep roots. Only a few roots arise from the bottom of the seed. The main root mass is born from the sprouting node, just under the ground level.



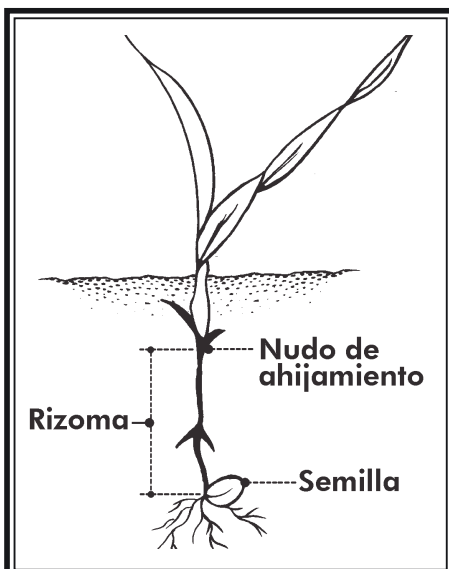
Sowing. Normal depth: from 2 to 4 cm

Thick stem, short rizhome, good freezing endurance. Multiple sprouting, from 3 to 6 shoots and a lot of blades (from 6 to 10). Big tuft of roots, 5 cms wide and 10-12 cms depth. With less grains per square meters, we will obtain more ears.



Sowing. Between 5 and 6 cm

Thin stem, rizhome exposed to freezing. Delayed and poor sprouting, one shoot (sometimes none), not many blades. Medium tuft of roots, from 3 cm wide and 5 cms. depth. We need more grains per square meter to obtain the same quantity of ears as in the first case.



Sowing. Very deep: from 8 to 10 cm

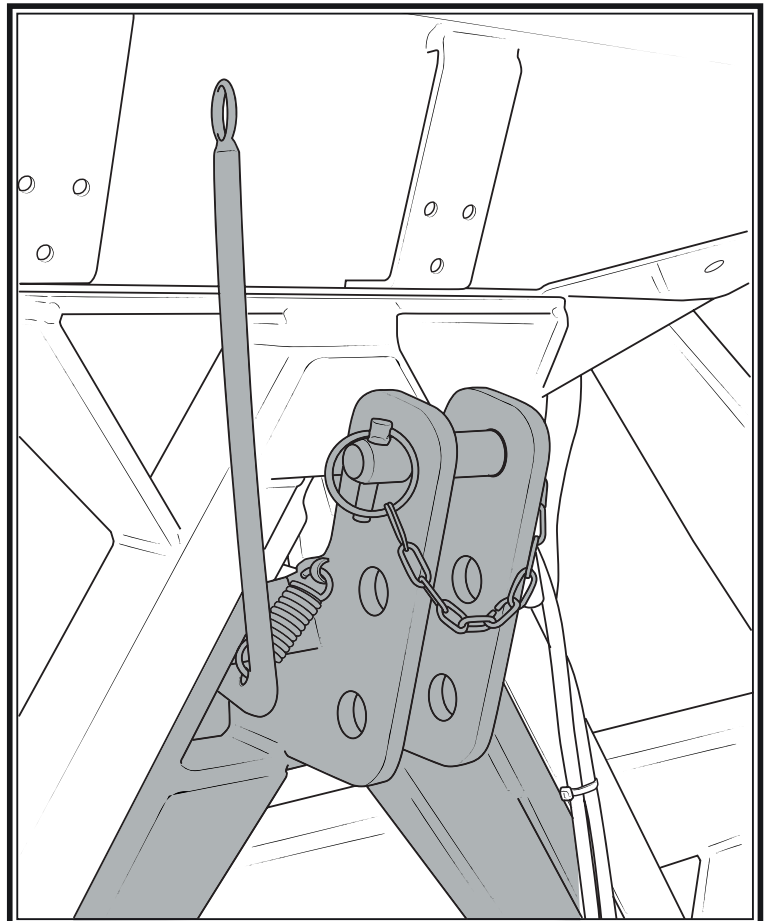
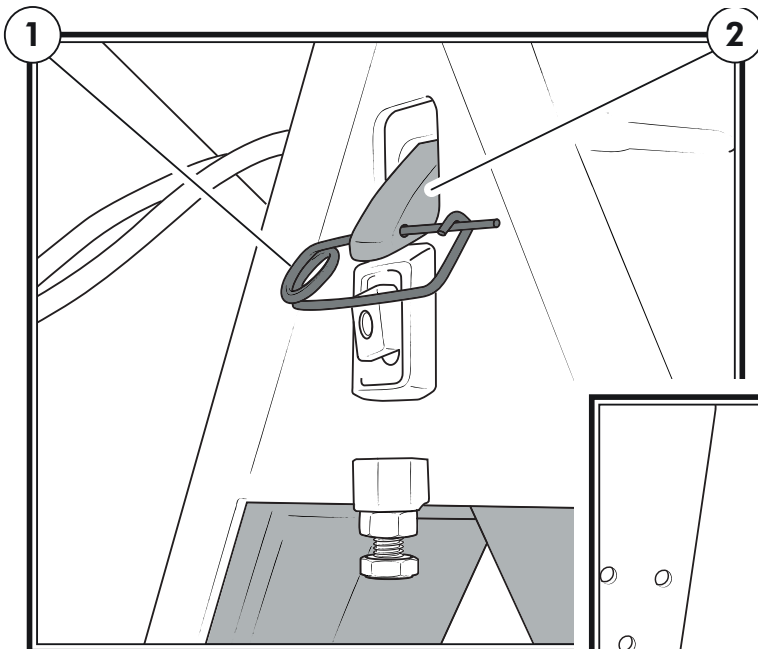
Very thin stem. No sprouting and a single blade. The grain reserves become depleted by forming a large rizhome, Poor tuft of roots, just 1 cm wide and 3 depth. We need twice the grains per square meter to obtain the same quantity of ears as in the first case.

5. STARTING

5.1 COUPLING THE SEED DRILL WITH HARROW

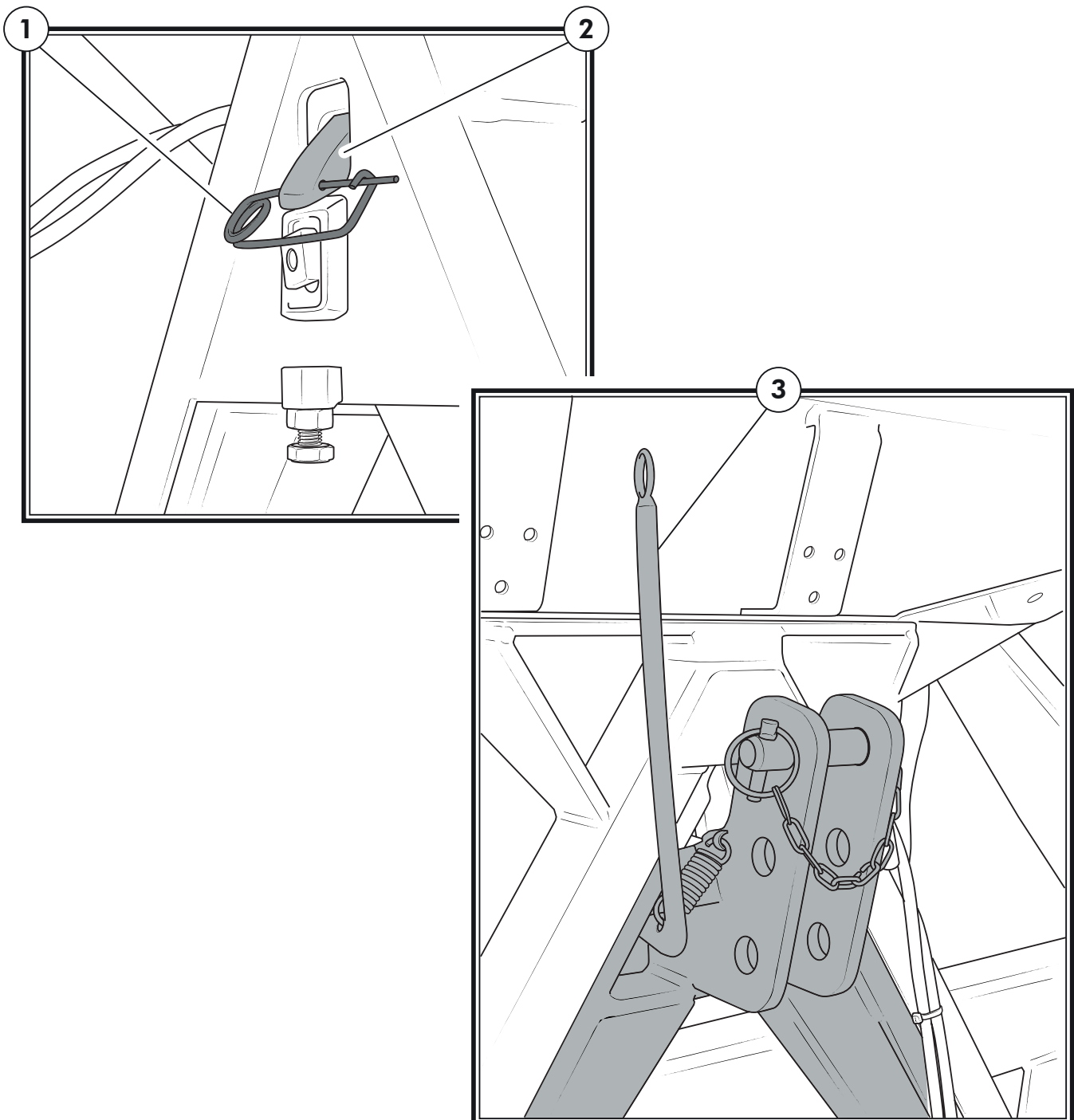
To coupling the seed drill with the harrow:

- Remove the safety link (1) of three point coupling.
- Introduce the three point coupling in the seed drill.
- Verify the pin (2) is well placed.
- Place the safety link again. (1)



To remove the three point coupling of the seed drill to the harrow:

- Remove the safety link (1) - Operate the lever (3) for releasing the pin (2) - Place the safety link (1) again to avoid loss it.



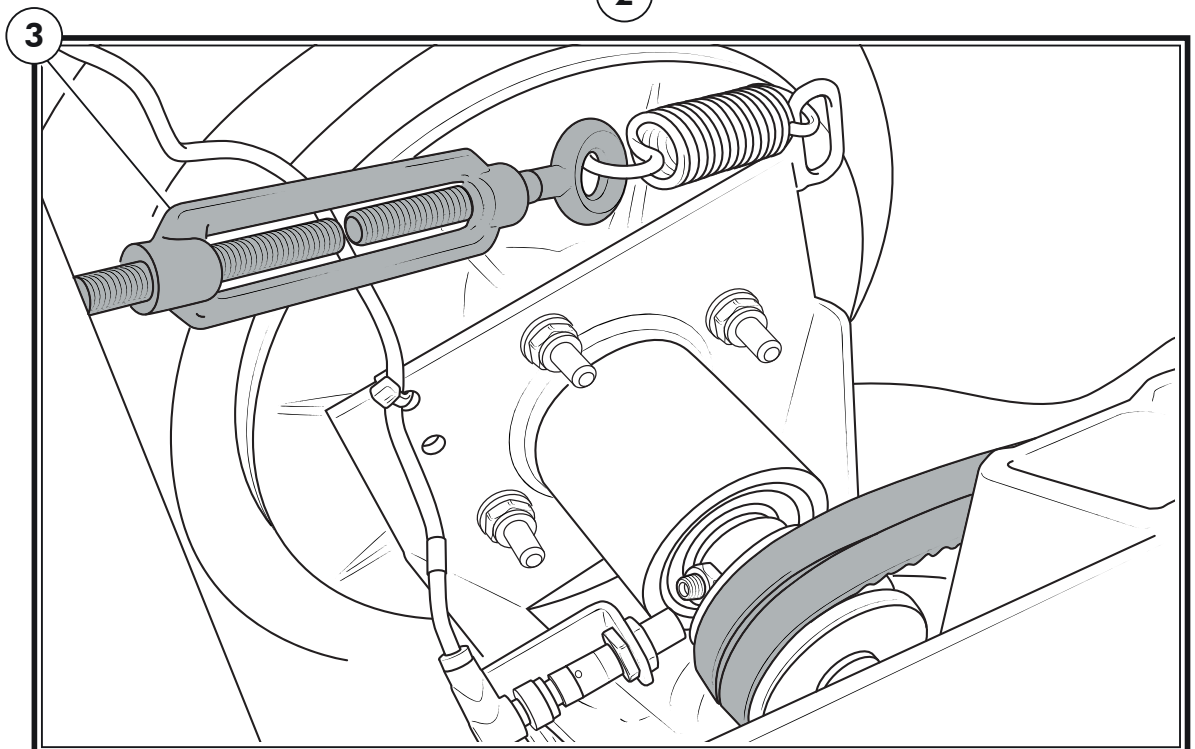
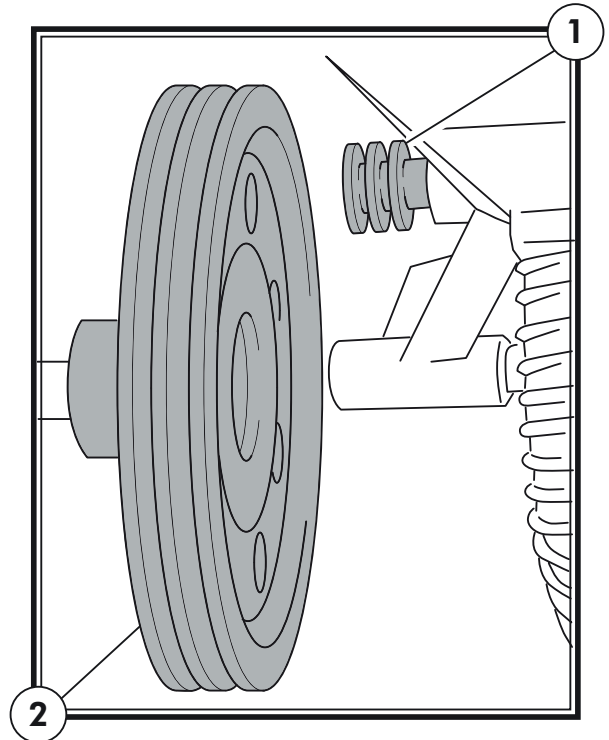
5.2 SETTING THE FAN BELTS

After coupling the harrow to the seed drill, it is very important to place distribution belts and adjust the tightening.

- Introduce the 2 belts in the seed drill pulley (1) - Introduce the 2 belts in the harrow pulley (2) - Setting tightening by the strut (3)



NOTE: IN THE FIRST INSTALLATION, KEEP THE PULLEYS ALIGNED DISPLACING THEM BY THE AXLES. BEFORE, WE HAVE UNSCREWED OF THE CENTRAL CONICAL ADJUSTMENT. ONCE ALIGNED SCREW THE CONICAL ALLEN BOLTS.



5.3 DOSAGE

We have two ways for doing dosage:

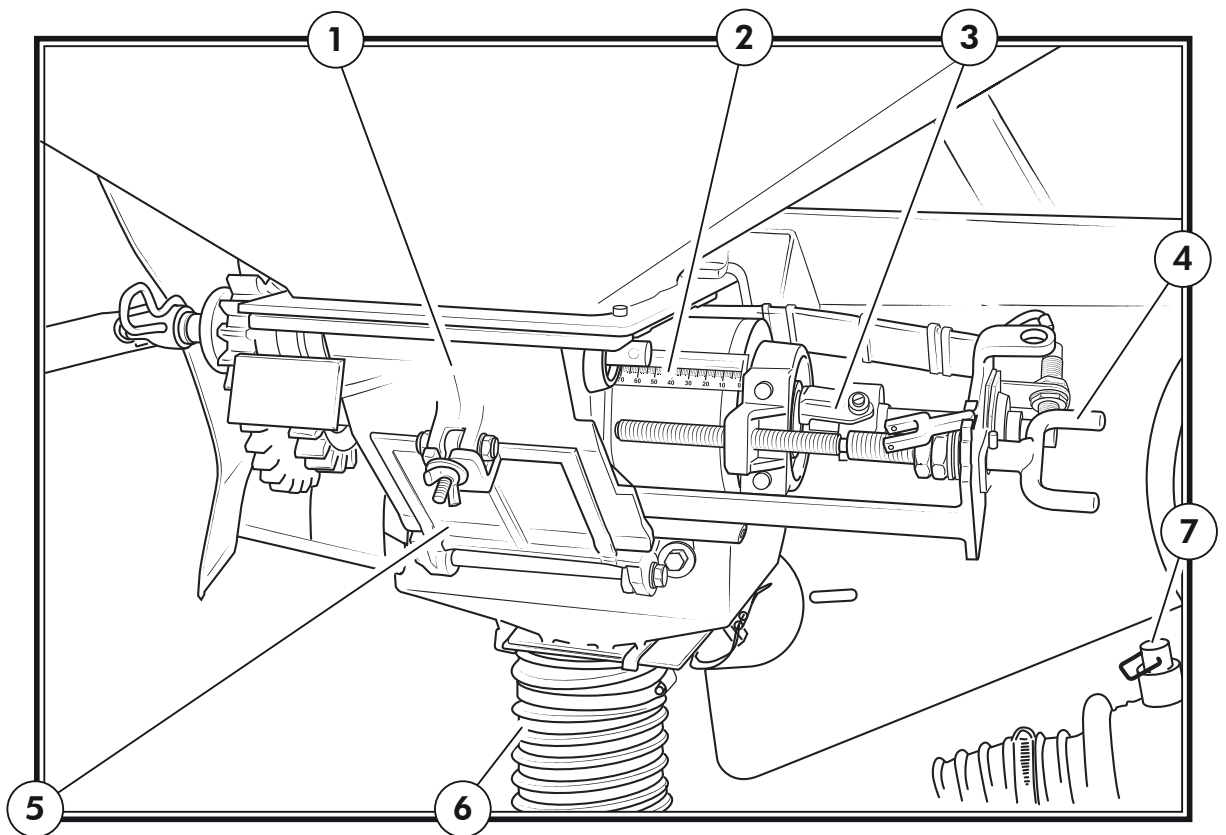
for normal seed for fine and small seed when sowing small quantities of seed.

For normal seed :

-set the red change-over switch (3) -set the spring clip-butterfly (7) to position N.



Do this only when the metering device is rotating or the seed hopper is empty.



1	Housing
2	Metering scale
3	Red change-over switch N = normal seed F = fine or small seed
4	Spindle

5	Hopper trap-door
6	Manifold
7	Spring clip-butterfly N = normal seed F = fine or small seed

For fine seeds:

- turn the spindle until the metering scale is in position 0.
- turn the red change-over switch clockwise (3) until it engages in the groove in the hexagonal shaft.

The letter F on the red change-over switch will be visible. Now we can regulate from 0 to 25 of the metering scale. The spring clip on the butterfly valve of the fan (8) to position F.

Flow test

For doing the flow test:

- close the hopper trap-door and fill the hopper with seed.
- remove the manifold by unscrewing the wing nut.
- place a bucket under the venturi cone outlet in order to collect the seed.
- attach the crank in the left wheel of the seed drill and turn, giving the turns number as follows:

TYPE MACHINE	TURNS
300/25	41 turns
350/29	35 turns
400/32	30, turns

The hectare counter will indicate 250 m².

- Weight the seed collected. The seed drill flow in kg/ha will be the weight collected multiply by 40.
- If necessary repeat the operation until you consider the seed has been calibrated.
- Replace the cone venturi and secure it by the wing nut.



To do the flow test make sure the seed drill is standing on firm level ground. The tractor and the PTO shaft must not be connected.

Dosage test

Between the test done and the flow spreaded by the machine, can exist some differences, owing to the few pressure in the wheels, irregularities on the ground, etc., we can do an experimental test. With a tape measure, we can mark on the ground, the distance in meters indicated as the follows:

working width	Experimental Test – meters
300	3,3
350	71,4
400	62,5

Then, we can cover the market distance with the seed drill in working position. By means of a signal done in the wheel, we can count the wheel turns during the round. In this way, we obtain the turns number to do the seed dosage test. Doing the test with this number of turns, we will obtain the kgs per hectare that the machine will spread.

Adjustment of the seed dose

With current use of high quality seed, it is not enough to set the weight that has to be distributed by the seed drill, since the final results of the harvest will depends on the number of plants that reach complete ripeness. Each plant needs or requires its living space from which feeds on. In this way, as poor could be a high plant density as a low. To know or to decide the kgs per hectare to sowing, and to know the adequate dose, we must know the number of plants par square meter we are going to sow. By way of guidance, the plants number recommended for wheat and barley in dry land is as follows:

AUTUMN	SPRING
early sowing, 200 plants per m2	early sowing, 310 plants per m2
late sowing, 265 plants per m2	late sowing, 445 plants per m2

Notice that, in spring, sprouting is always lower and, consequently, we need to increase the quantity to sow.



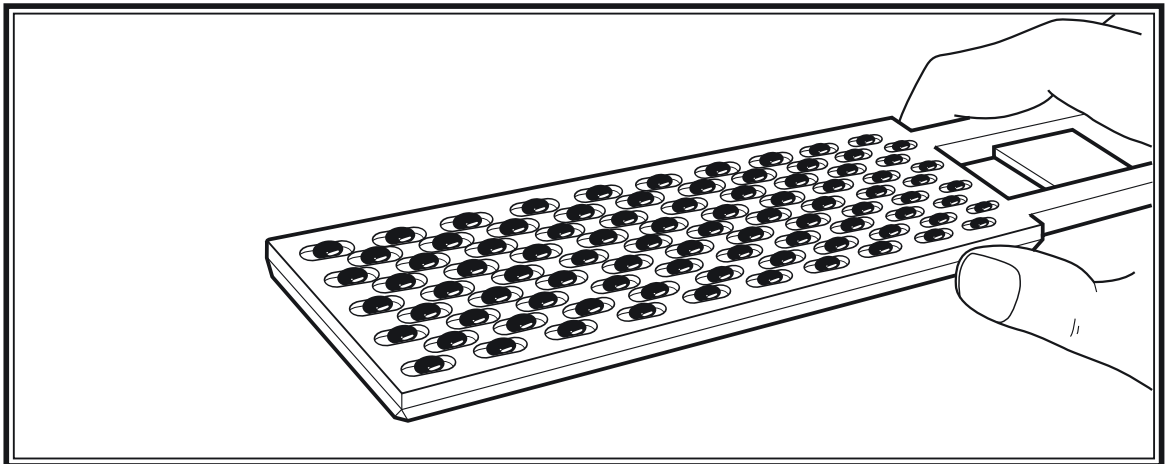
MAQUINARIA AGRÍCOLA SOLÀ, S.L., thinks that is very recommendable for the farmer, to seek advice about dosage in some technical sowing centres.



The seed dose, must be adjusted to each soil depending on its texture, fertilization level, dampness and sowing time, grain quality, germinate value...

Moreover, it must be took into account that the maximum germinate value is variable and depends on a lot of factors. Experimentally it can be place between 70% and 80%, that is equivalent to multiply the number of grains to sow by 1,43 or 1,25 respectively. Find as follows, a practical method to obtain the kgs per hectare we are going to sow starting from de plants per square meter we want to obtain.

- 1) To introduce the grains counter in the seed (drawing 10). Get out, pass the hand on in order to have only a grain for each hole (100 grains in total). Repeat the operation 10 times in order to have 1000 grains.



- 2) Weight the 1000 grains collected . By this operation, we will have the OPERATIF WEIGH.

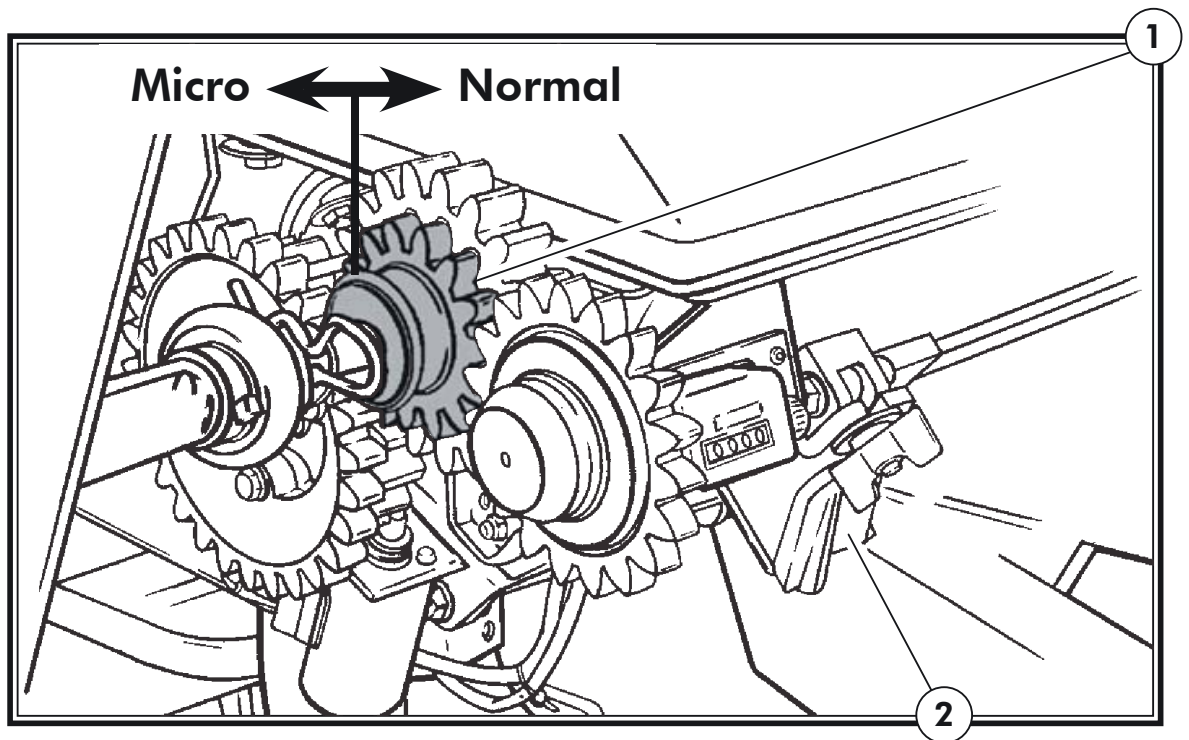
- 3) Knowing the grains par square meter we are going to sow, kgs per hectare we have to adjust in the dosage control are: kilos per hectare = (grains per m² x OPERATIF WEIGHT) / 100

5.4 MICRODOSAGE

The micrometering system serves as a means of metering fine seed and extremely small quantities of seed per hectare. The advantage of the micrometering system over the standard system when handling fine seed is that the cell is twice as wide for the same seed rate. This considerably enhances the self-cleaning properties of the cells.

Pull out the red gearwheel (1) until it engages in position

The micrometering system is now switched on. The settings are given in the calibration chart for fine seed (page 37) with the micrometering system M.



1. Read gearwheel
2. Dispenser

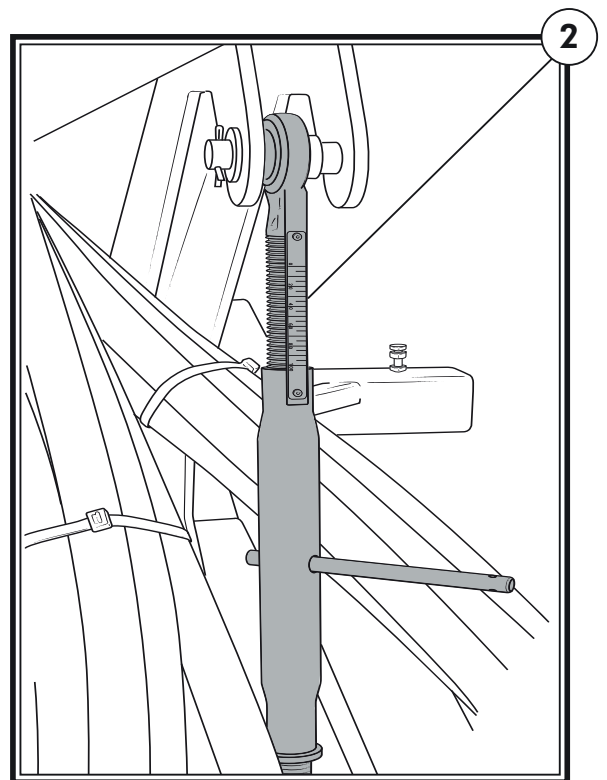
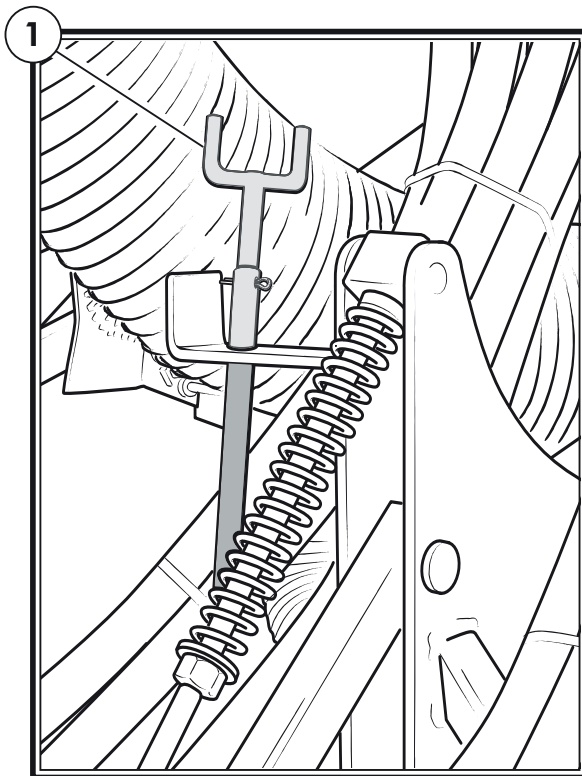


Check the cleaning brush before sowing with fine seed.

5.5 SETTING THE SOWING DEPTH

To adjust the sowing depth we can do the following operations:

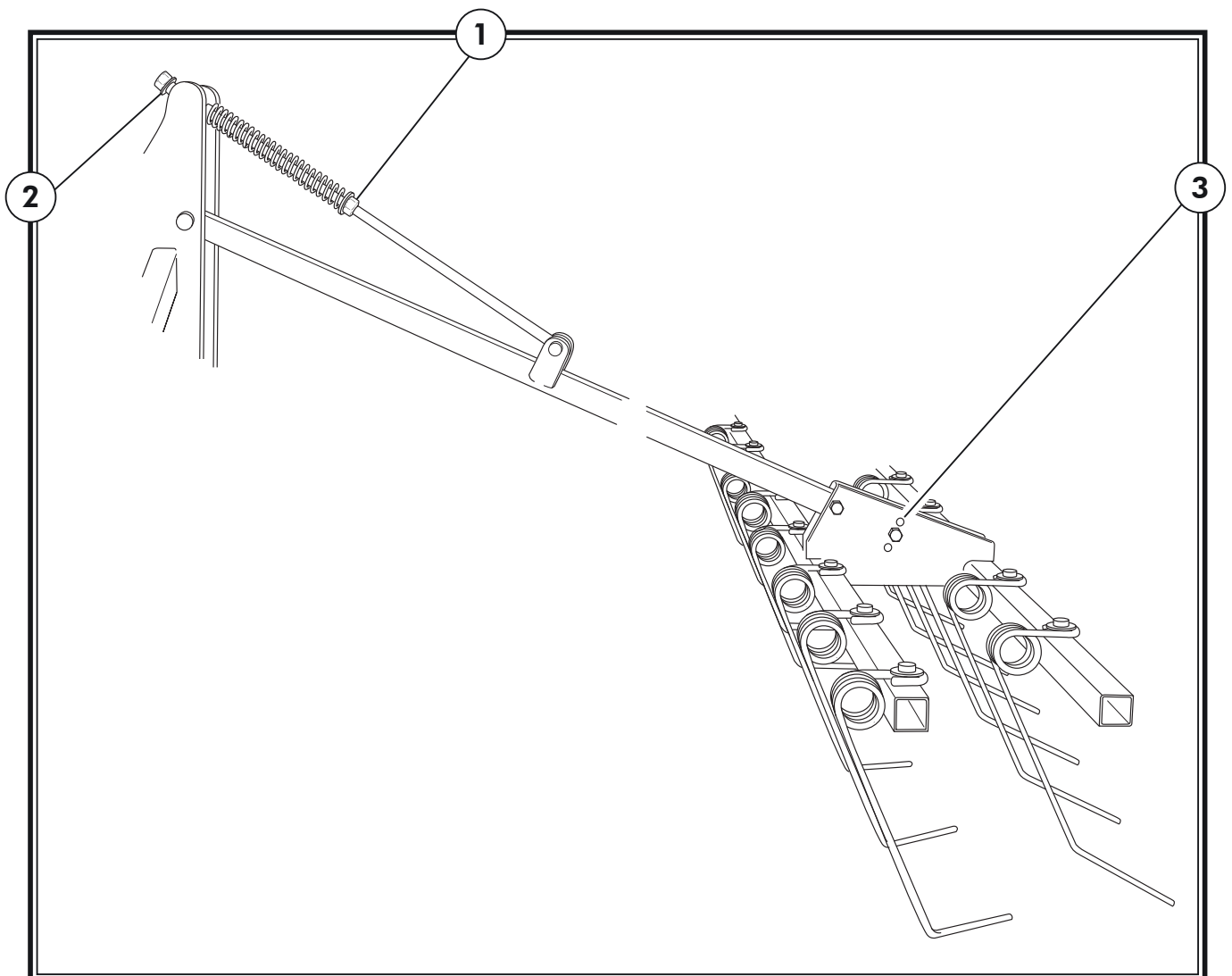
- adjusting the sowing pressure arms (1)
- adjusting the working depth (2)



5.6 SETTING THE SPRING HARROW

The harrow has different positions for working on different ground types. We can adjust:

- 1- Height: tighten the lower bolt (2).
- 2- Pressure: tighten the upper bolt of the brace rod (2)
- 3- Positions: modifying the screws position.(3)



5.7 HYDRAULIC TRACK MARKERS

NOTE: Sizes in cms



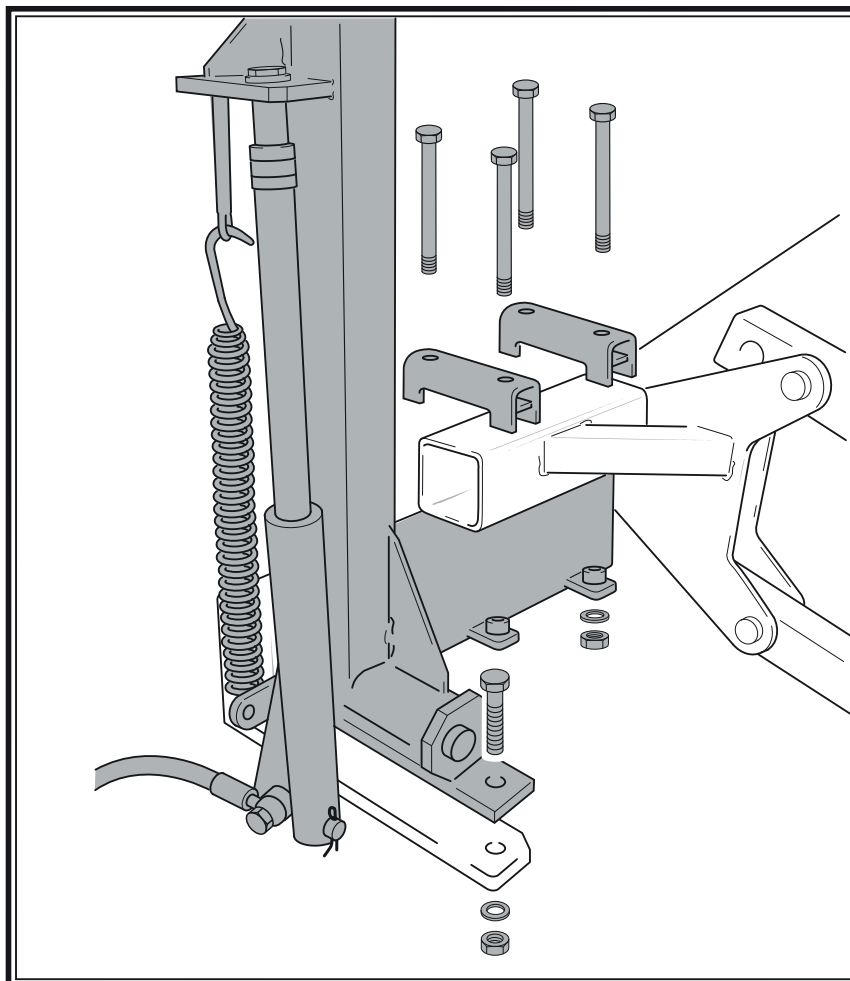
It is not advisable use to much the spring pressure, to avoid seriously damages.



The pressure oil can penetrate in the skin and can cause injuries and fires. Be extremely careful with the hydraulic connections and tubes.



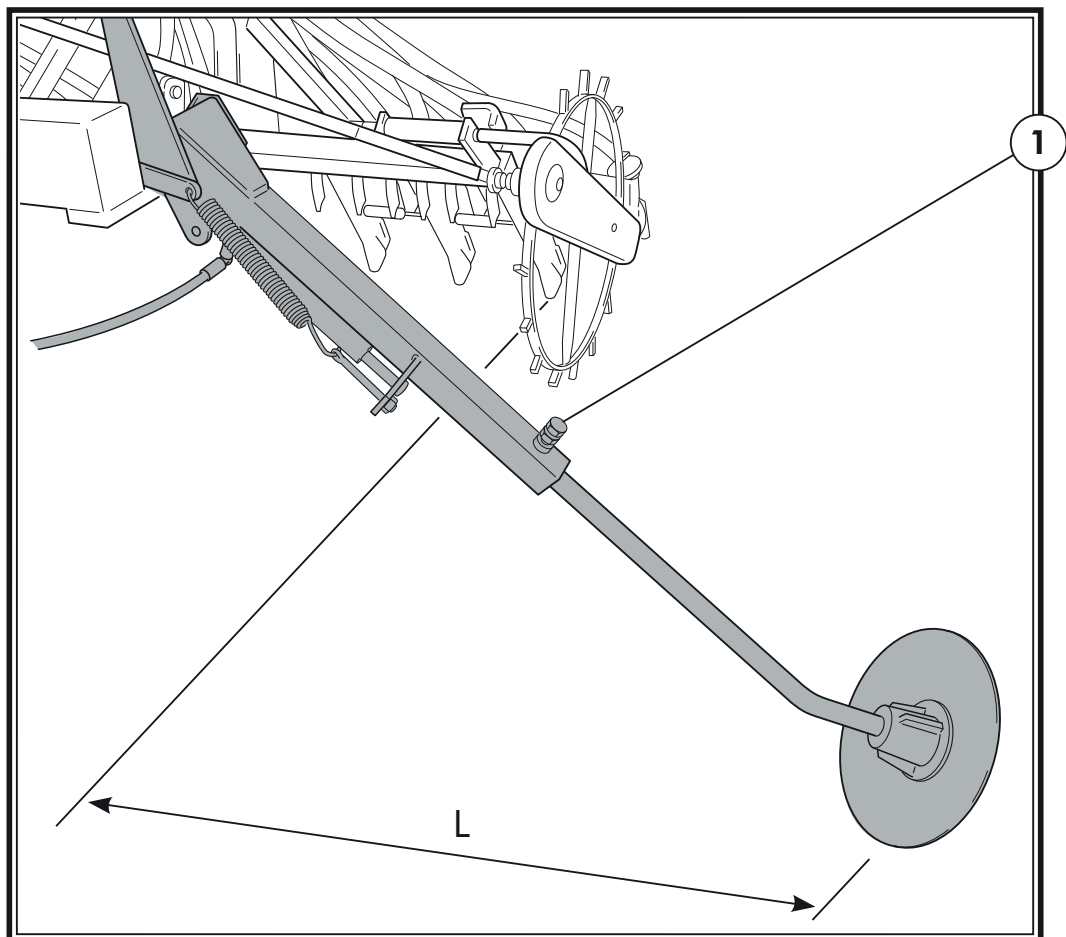
No persons may be allowed to stand within the working area.



Track markers are fitted in the laterals of the folding equipment. The right marker is fitted on the short support and the left marker on the long support. Their operation is hydraulic and we have to connect them to two different connectors for working in an indistinctly way. It is very important to fold the track markers and fix them with the bow pin before folding the machine for transporting.

The track markers arms are extending. We can adjust them in length and we can position the discs on the correct penetration inclination. The spring allows to adjust the disc pressure on the ground. The length of the track markers is calculated as follows:

$$L = \frac{\text{working width seed drill} - \text{track gauge wheels tractor} + \text{width of the row}}{2}$$



For setting the track markers:

- To loosen the bolt.
- Setting the track marker.
- Fix the position by the screw.
- Fix the bolt.

6. CONTROL MONITORS

6.1 Control board

This monitor is fitted as a standard in the machine. It shows the values and we can not entry in the programming.

The screen shows 6 channels and 3 arrows indicating the situation.

C1: show the speed en m/sec

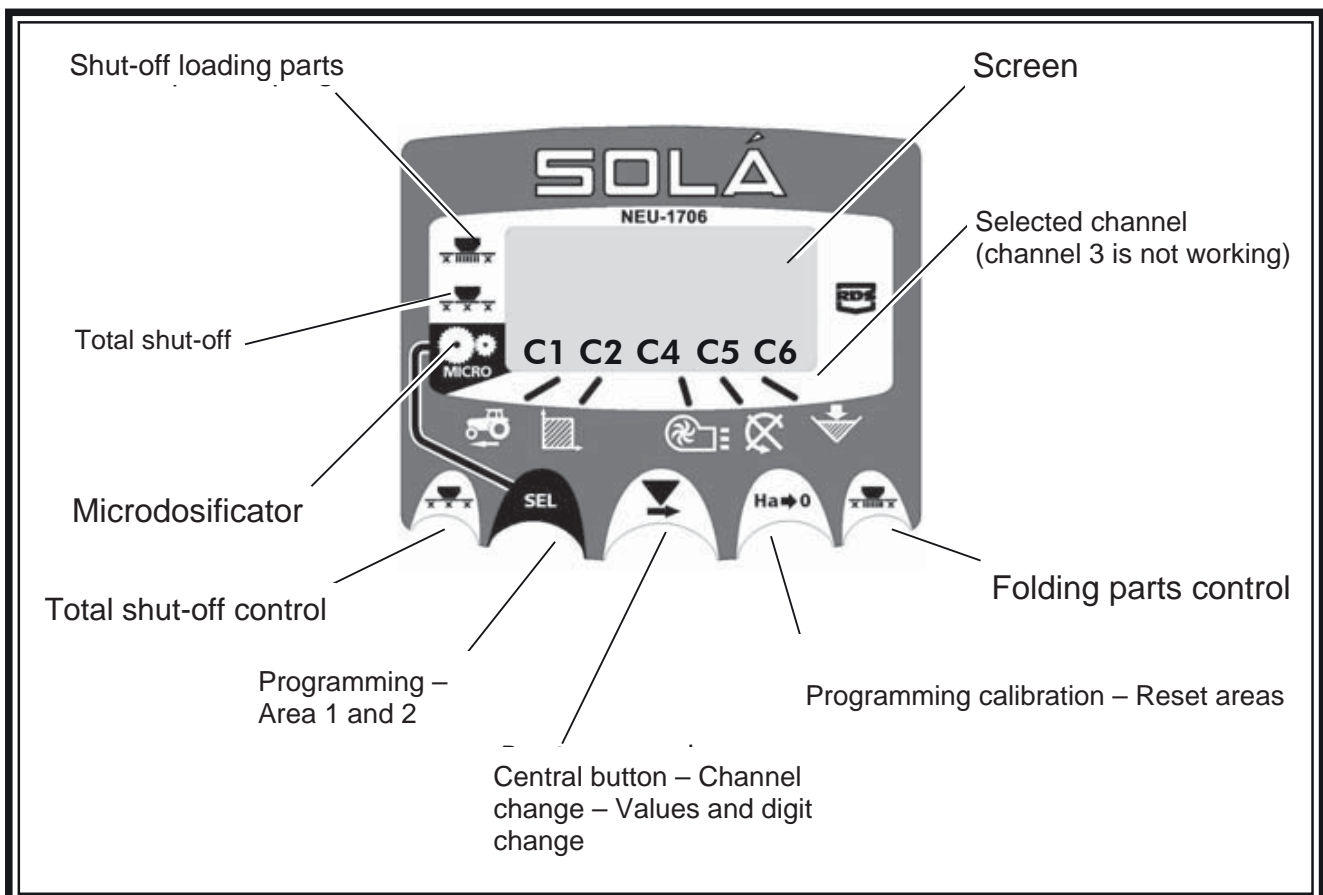
C2: show two different hectares (ex. Partial and total)

C3: is not working

C4: show the fan speed (rpm)

C5: show the distributor speed (rpm)

C6: show the seed level



The information shown on the screen is the speed. A signal alarm and the word “alarm” on the screen appears when there is an error. The alarm does not disappear until the problem is solved.

To visualize the reading we want, press the central button and move the channel. After 10 seconds, the reading returns to C1.

6.2 ADVANCE SPEED – C1

To select the channel by the central button. Below 2.6 km/h, the alarm goes off. We can deactivate the alarm going to the programming mode 2.

Speed sensor calibration

We can obtain a theoretical calibration according in the programming mode 2.

1. Select the speed channel (C1)
2. Press “SEL” to access in mode 1. Keeping pressed it, press the central button (v) for changing the digit.
3. Keep the central button pressed during some seconds to modify the digit value according to the following chart.

300	350	400
7.142		5.555

4. The monitor will return to the normal position.

NOTE: It exists a way to calibrate the number of boosts. This system is more precise and it requires a test on the land.

Speed sensor calibration

- Mark 100 mts. - Select channel 1 (speed) - Press “SEL” and keeping pressed, press “Ha-0”. On the screen will appears AutO. - Cover now the marked 100 metres. The monitor counts the sensor boosts. - To finish press “Ha-0” again. The monitor has memorized the boosts number.

6.3 TOTAL AREA / SEED DRILL WIDTH – C2

We can mark two total areas and independents one of the other.

Total area visualization

1.Select channel 2. 2. Press “SEL” to see total area 1 and total 2 “tot.1” and “tot.2”. First we visualize on the screen “tot.1” and then its value in Ha.

Total areas reset

1.Select channel 2. 2. Press “SEL” to visualize. 3. Press during more than 5 seconds the button “Ha-0”

6.4 FAN SPEED / ALARMS –C4

Fan speed display

Select channel 4 by the central button.

Fan speed alarms

We can program the minimal speed of the fan turns. Below 2 km/h the alarms are deactivated.

\ Minimal speed of the fan

1. Select channel 4. 2. Press “SEL” during more than 5 seconds and keep press. 3. Press central button to change digit and value. By default 3800 rpm. 4. To return to the normal position do not press the button.

Boosts number selection by fan turn (by default 2).

NOTE: The number of boosts by fan turn is always 2. Only we have to access in programming mode in case of error.

1. Press “SEL” while we connect the monitor by the rear switch, to access in mode 2. 2. Press “SEL” for changing channel and go to channel 4 (fan). 3. Press central button to modify the flicking digit and keep pressed to modify its value (always must be 2). 4. Depress to return to the normal position.

6.5 DISTRIBUTOR-C5

Select channel 5 by central button. When the axis stop, after 40 seconds the alarm sounds (5 beeps). If the axis does not turn the alarm repeats each 30 seconds. To stop the alarm, stop the monitor and activate it again. The alarm of the axis can stop pressing the button "Ha-0" during more than 5 seconds. Screen shows "Off". In this situation the alarm does not work.

6.6 LEVEL HOPPER ALARM – C6

When the seed level is low a signal alarm (5 beeps) will warn and on the screen appears ALAr.

Activate and deactivate the hopper seed level alarm.

1. Select channel 6 by central button
2. Press button "SEL" and...
3. Press central button for selecting "O" (deactivated) or "1" (activated)
4. Depress to return to the normal position.

7. MAINTENANCE

7.1 GREASING

Grease every day all the articulations of the transmission.

7.2 SCREW WORKS

After some working hours, all bolts must be verified and tightened if necessary. We supply a special key, a tube key, located inside the hopper, for the hold-down screw.

7.3 DISTRIBUTOR HEAD AND TUBES

Before working it is very important to verify that the seed delivery tubes and the distributor head are not blocked.

For this, with the operating fan and with the full hopper:

- we will give some turns to the wheel.
- verify that the seed falls through the arms.
- switch-off the machine
- disconnect the head cover to verify that anything is inside.

8. DOSAGE TABLES



The quantities shown at the tables are for guidance only. The flow can change due to preservation powders, seed sizes, density, humidity...



For a precision sowing, we advise you to follow the dosage

seed	wheat	Rye	barley	oats	bean	peas	lupin	carob bean	corn	grass	rape	clover	grass	root vegetable														
Peso espec. (kg/l)	0.77	0.74	0.68	0.5	0.85	0.81	0.76	0.83	0.79	0.36	0.65	0.8	0.39	0.7														
Valor ajuste	Semilla normal al kg/ha (aleta de regulación N)																											
10*	33,4	33,4	32	24	22,7	21,4	28	32	8,01	-	2,2	1,1	2,3	1,15	-	2,5	5	7,5	10	11,4	5,7	15,3	7,65	7,2	3,6	12,5	6,25	
15*	50,7	49,4	48,1	35	41,4	40,1	45,4	50,7	24	18,7	4,6	2,3	5,3	2,65	-	13,7	6,85	18	17,5	15,9	7,95	21,3	10,65	11,2	5,6	17,5	8,75	
20*	69,4	66,8	64,1	47	61,4	58,7	61,4	69,4	46,7	25,4	7,5	3,4	8,6	4,3	2,8	20,5	10,25	26,6	20	18,2	9,1	24	12	13,2	6,6	20	10	
25*	85,4	82,8	89,8	57	78,8	77,4	78,8	89,4	69,4	33,4	10	4,55	12	6	5,2	22,8	11,4	27,5	25	22,8	11,4	27,5	13,75	16,2	8,1	23	11,5	
30	104	100	94,8	71	97,5	97,5	96,1	108	92,1	41,4	12,5	5,7	15,3	7,65	7,2	25	13,75	16,2	17,5	15,9	7,95	21,3	10,65	11,2	5,6	17,5	8,75	
35	123	117	111	81	116	117	113	127	115	49,4	15	6,85	18	9	9,2	25	13,75	16,2	17,5	15,9	7,95	21,3	10,65	11,2	5,6	17,5	8,75	
40	140	134	127	93	135	136	129	146	138	-	17,5	7,95	21,3	10,65	11,2	20	13,2	6,6	20	18,2	9,1	24	12	13,2	6,6	20	10	
45	158	151	143	105	154	155	147	166	156	-	22,5	10,25	26,6	13,3	15	22,5	13,75	16,2	17,5	18,2	9,1	24	12	13,2	6,6	20	10	
50	174	168	159	117	172	174	164	184	175	-	25	13,75	16,2	8,1	23	25	13,75	16,2	17,5	22,8	11,4	27,5	13,75	16,2	8,1	23	11,5	
55	192	184	174	129	191	194	182	203	194	-																		
60	210	200	191	142	210	214	198	222	212	-																		
65	228	218	206	154	228	232	216	242	231	-																		
70	247	235	222	166	247	251	234	260	250	-																		
75	264	252	238	178	266	270	251	279	267	-																		
80	282	270	252	190	283	288	268	298	286	-																		
85	298	287	268	200	302	310	286	316	304	-																		
90	316	302	284	212	320	328	302	336	323	-																		
95	335	319	300	224	338	347	320	355	342	-																		
100	352	336	316	236	356	366	336	374	360	-																		
105	370	354	332	248	374	386	354	394	380	-																		
110	387	371	348	260	394	405	371	413	398	-																		
N= velocidad normal M= microdosificación																												
ENSAYO PREVIO DE CAUDAL																												
Sembradora Vueltas																												
300/25 (3 metros) 41,0 vueltas																												
350/29 (3,5 metros) 35 vueltas																												
400/32 (4 metros) 30,8 vueltas																												
Número de vueltas a la rueda pequeña para simular la siembra de 250 m ² .																												

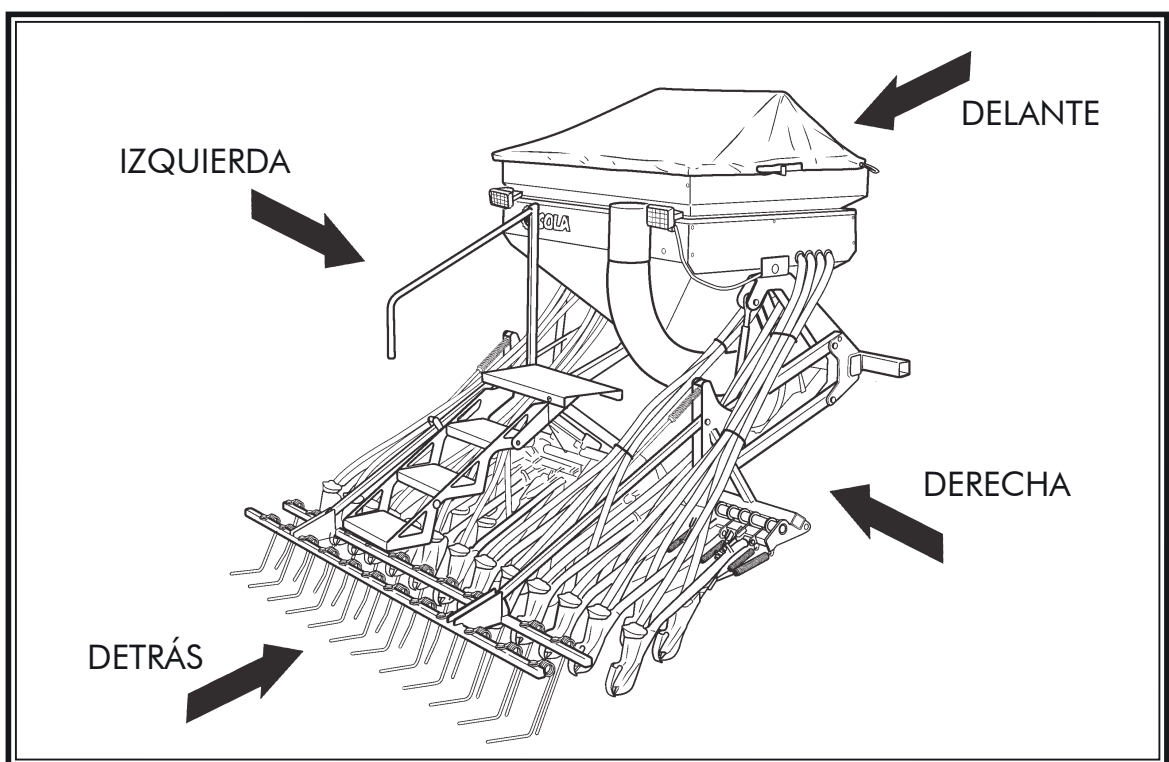
* Cuando las cantidades a dispersar son muy pequeñas (ancho de alveolo <= 25 mm) se puede llegar a obtener una siembra más uniforme por medio de la microdosificación, incluso en el margen de siembra normal (cereal y semillas gruesas).

9. SPARE PARTS

The terms RIGHT (derecha), LEFT (izquierda), FRONT (delante) and iBACK (detrás) refers to the machine in starting direction.

In drawings we do not repeat the same spare parts, but with different hand. Codes are in spare parts chapters.

Please, when you order the spare parts, inform about the code and machine type.



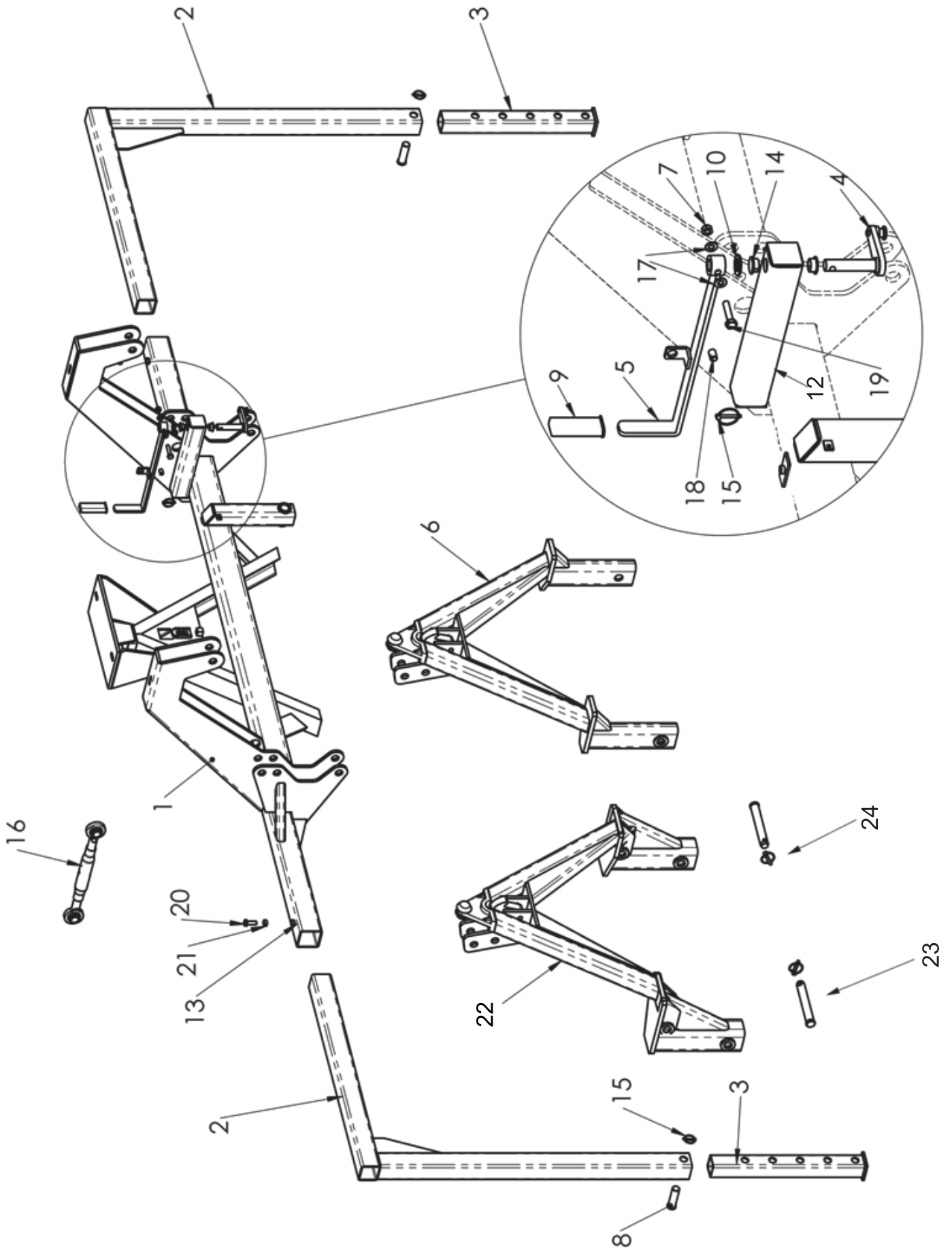
Be careful to change the elements of the sowing equipment, because the sharp elements can cause injuries.



As a general instruction, you must avoid working under the machine hanged up from the tractor. If you must do it, be extremely careful and secure it.

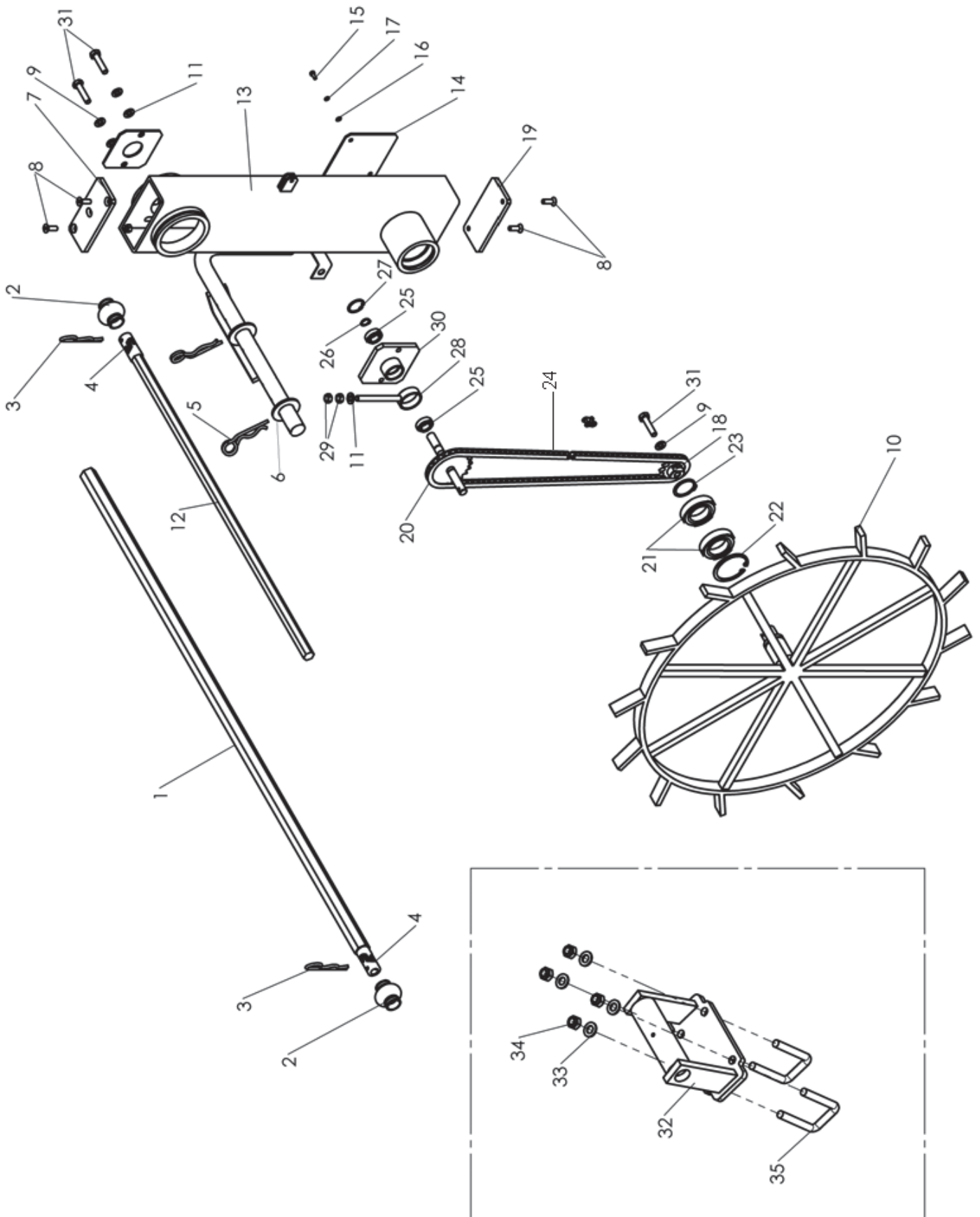
9.1 Chassis +

FIGURA	CÓDIGO
1	PS-012400
2	PS-012401
3	PS-012404
4	PS-042406
5	PS-042407
6	EO-012400 EO-012401
7	985 10
8	BU-061305
9	E06-23
10	125 20 BI
12	TA-012407
13	934 12
14	FE-600004
15	FE-610012
16	FE-613006
17	125 10 BI
18	ME-012400
19	931 10X50 8.8B
20	933 12X35 8.8B
21	934 12 BI
22	EO-012402
23	BU-091700
24	FE-610008



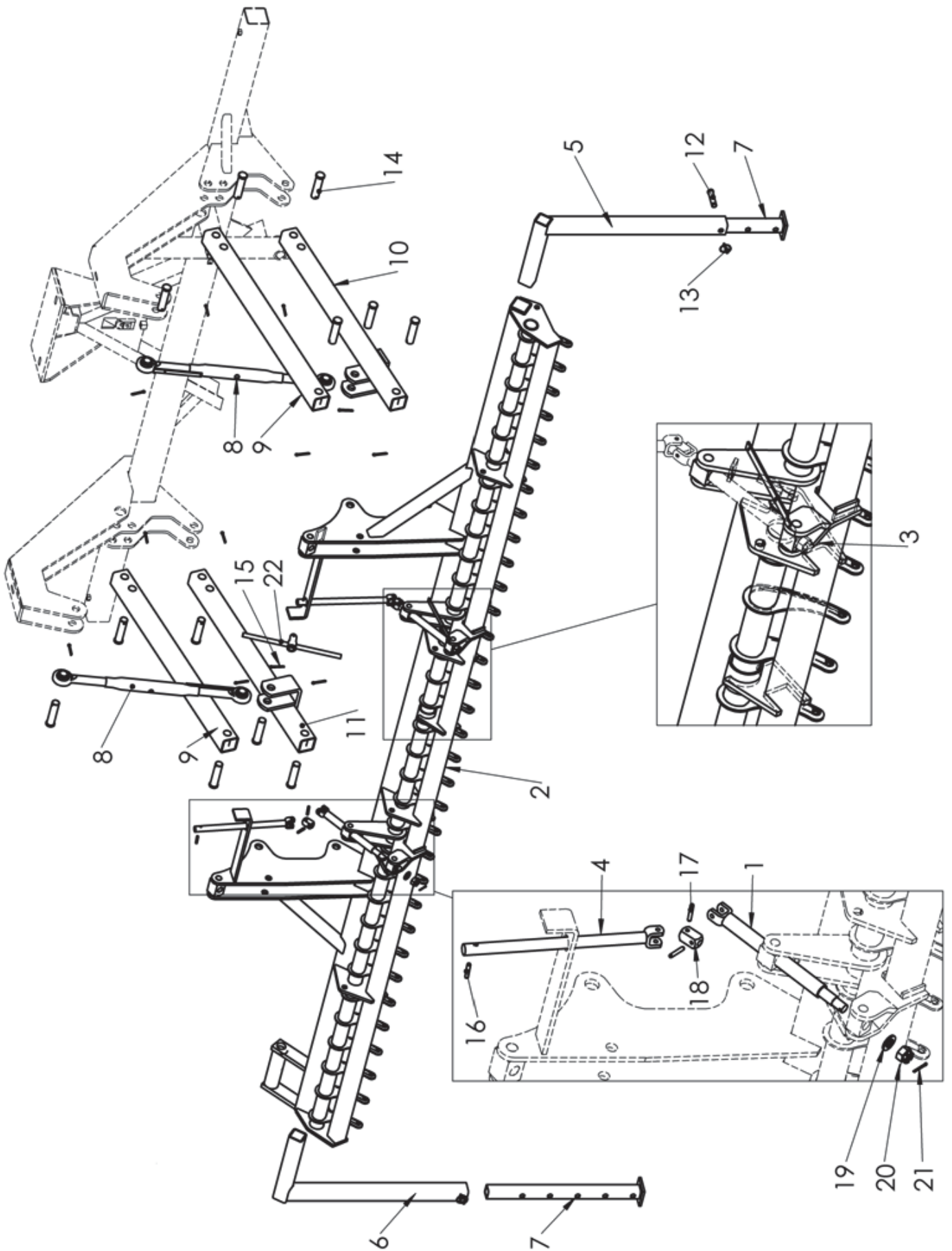
9.2 Transmission

FIGURE	CODE
1	PS-042403
2	PL-041714
3	FE-610004
4	FE-608023
5	CO-042404/26
6	125 30 BI
7	CO-042404/05
8	CO-042404/21
9	CO-042404/18
10	CO-042404/00
11	CO-042404/20
12	PS-042404 PS-042409
13	PS-042401 PS-042410
14	CO-042404/39
15	CO-042404/42
16	CO-042404/40
17	CO-042404/41
18	CO-042404/34 ME-042403 ME-042404
19	CO-042404/06
20	PS-042402
21	CO-042404/15
22	CO-042404/16
23	CO-042404/17
24	CO-042404/37 FE-605026
25	CO-042404/11
26	CO-042404/13
27	CO-042404/12
28	CO-042404/07
29	CO-042404/25
30	CO-042404/08
31	CO-02404/19
32	PS-051366
33	125 14 BI
34	985 14
35	EE-050314



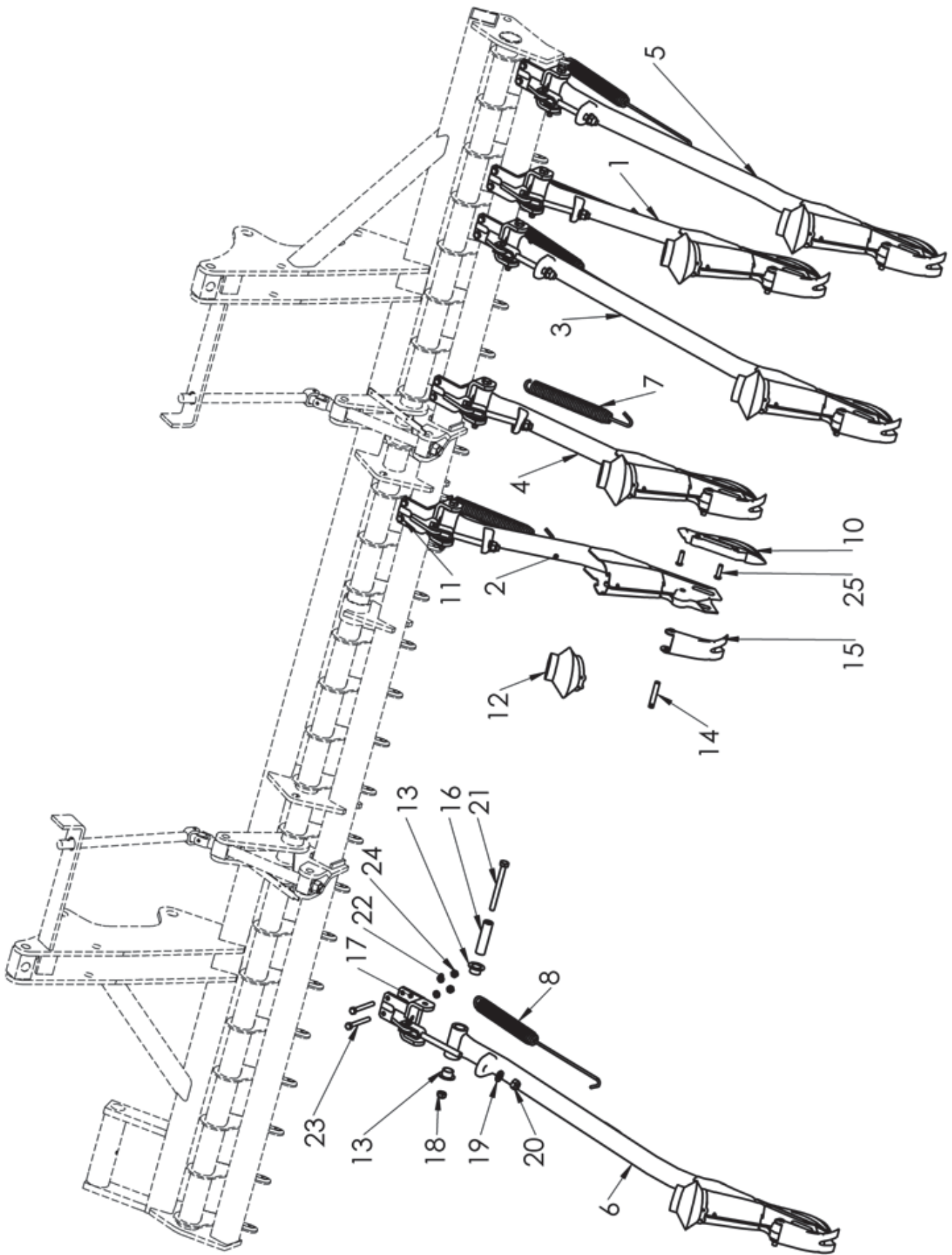
9.3 Equipment arms bearer for tooth furrow and discs.

FIGURE	CODE
1	PS-0207
2	PS-052400
	PS-052404
	PS-052405
3	PS-0202
4	PS-052403
5	PS-012402-D
6	PS-012402-I
7	PS-012403
8	PS-051318
9	PS-052401
10	PS-052402-D
11	PS-052402-I
12	B03-204
13	FE-610012
14	BU-051304
15	94 5X40 BI
16	1481 5X30 BI
17	1481 6X35 BI
18	TA-0207
19	125 16 BI
20	935 16 BI
21	94 3,5X28 BI
22	MO-042007



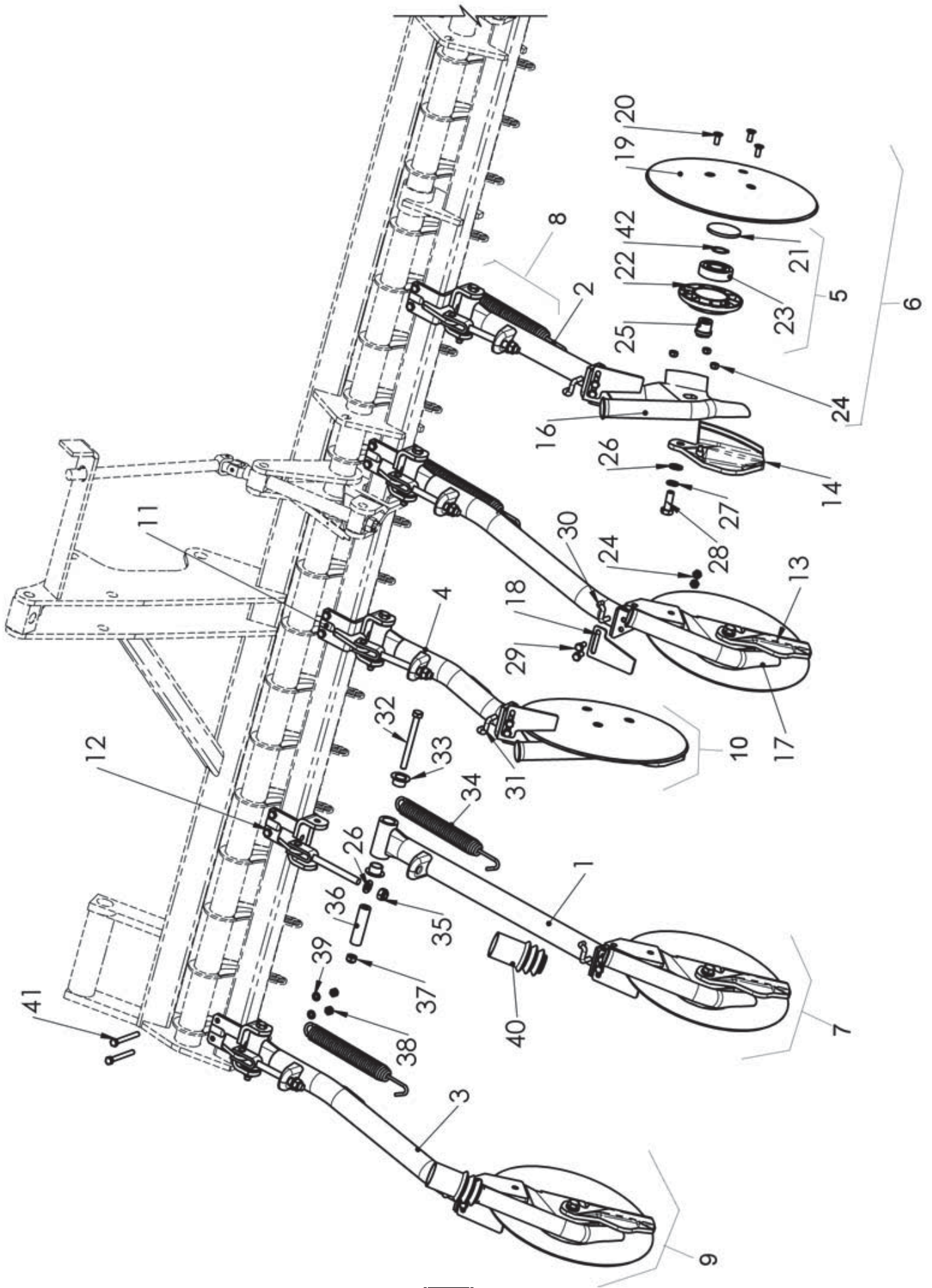
9.4 Sowing arms

FIGURE	CODE
1	MB-68
2	MB-71-D
3	MB-119
4	MB-71-I
5	MB-122-D
6	MB-122-I
7	ML-051601
8	ML-050200
10	FU-050200
11	MS-39
12	PL-050201
13	PL-050207
14	BU-050202
15	EE-050206
16	ME-050202
17	MS-38
18	985 10
19	125 12 BI
20	985 12
21	931 10X110 8.8B
22	127 8 BI
23	931 8X75 8.8B
24	934 8 BI
25	FE-602000



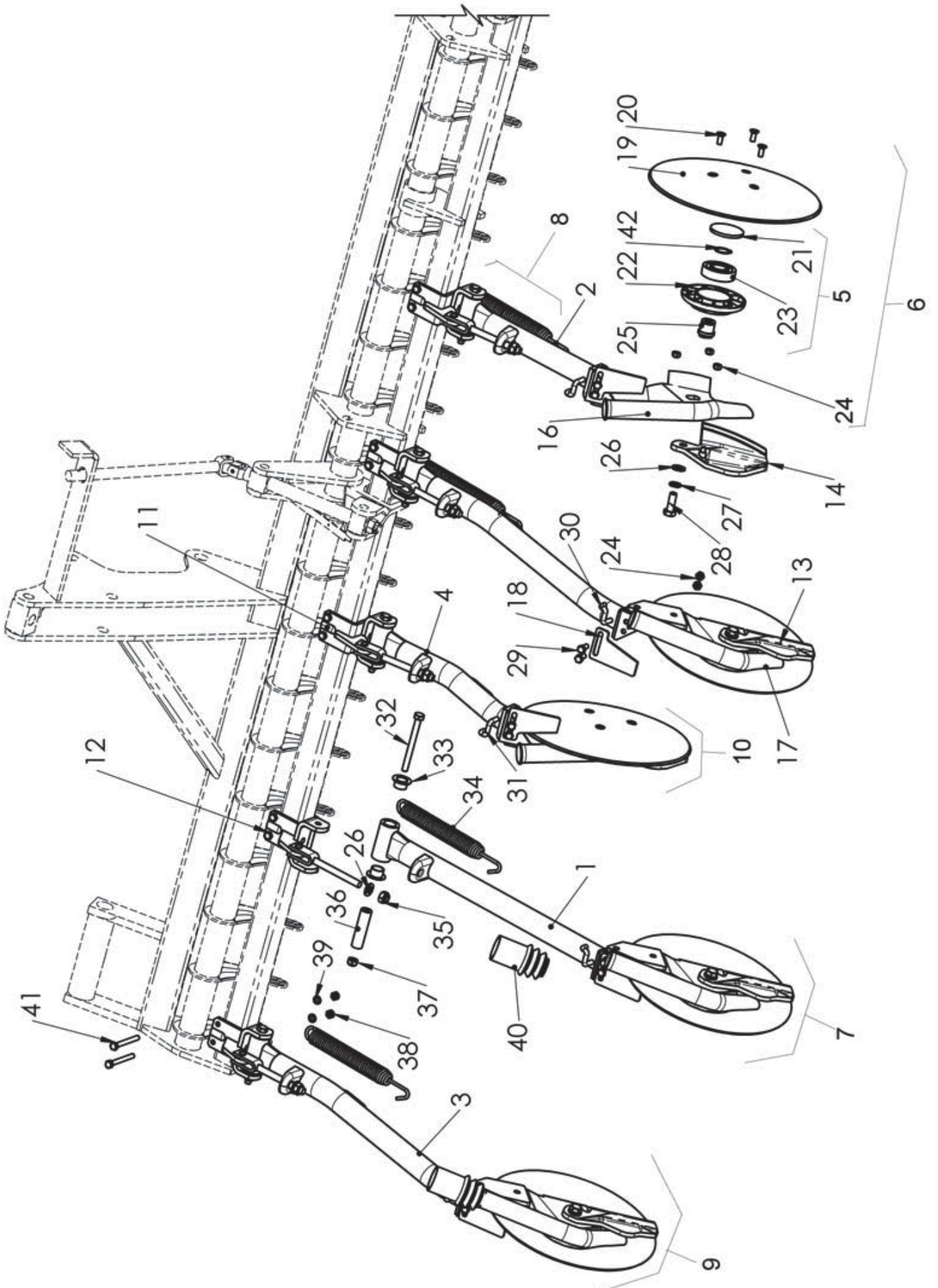
9.5 Disc arms

FIGURE	CODE
1	PS-051602
2	PS-051603
3	PS-051605
4	PS-051611
5	MO-051600
6	MO-051620
7	MO-051601
8	MO-051602
9	MO-051604
10	MO-051608
11	MS-39
12	MS-38
13	FU-051600-D
14	FU-051600-I
16	PX-051603-D
17	PX-051604-I
18	PX-051617
19	FO-051600
20	7991 8X20 10 BI
21	PL-051602
22	PL-051601
23	FE-600078
24	985 8
25	ME-051601
26	125 12 BI
27	127 12 BI
28	933 12X35 8.8B
29	933 8X20 8.8B



9.5 Disc arms

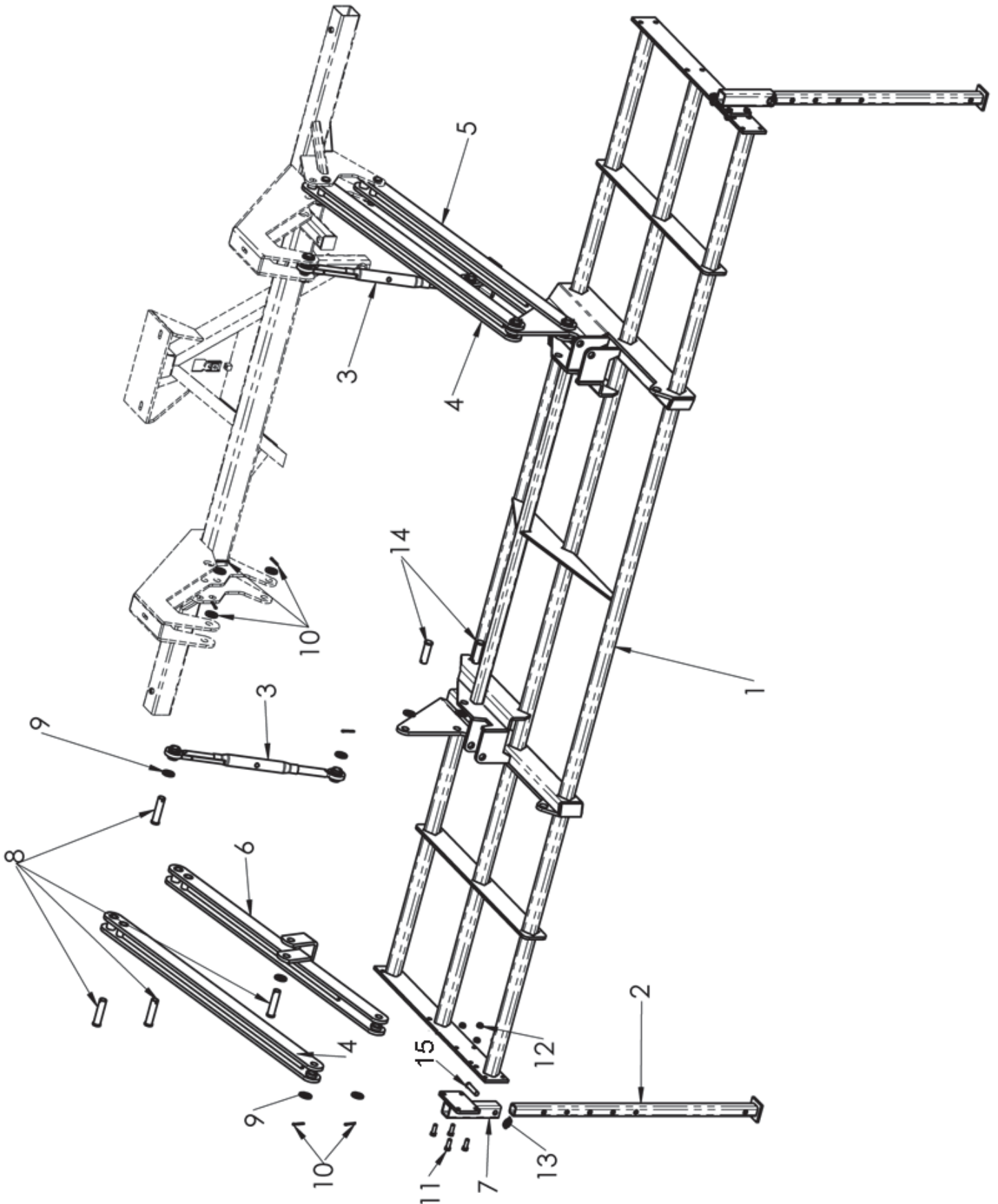
FIGURE	CODE
30	ML-051600-I
31	ML-051600-D
32	931 10X110 8.8B
33	PL-050207
34	ML-051601
35	985 12-150
36	ME-050202
37	985 10
38	934 8 BI
39	127 8 BI
40	PL-051600
41	931 8X75 8.8B
42	471 25



9.6 Arms of the grid

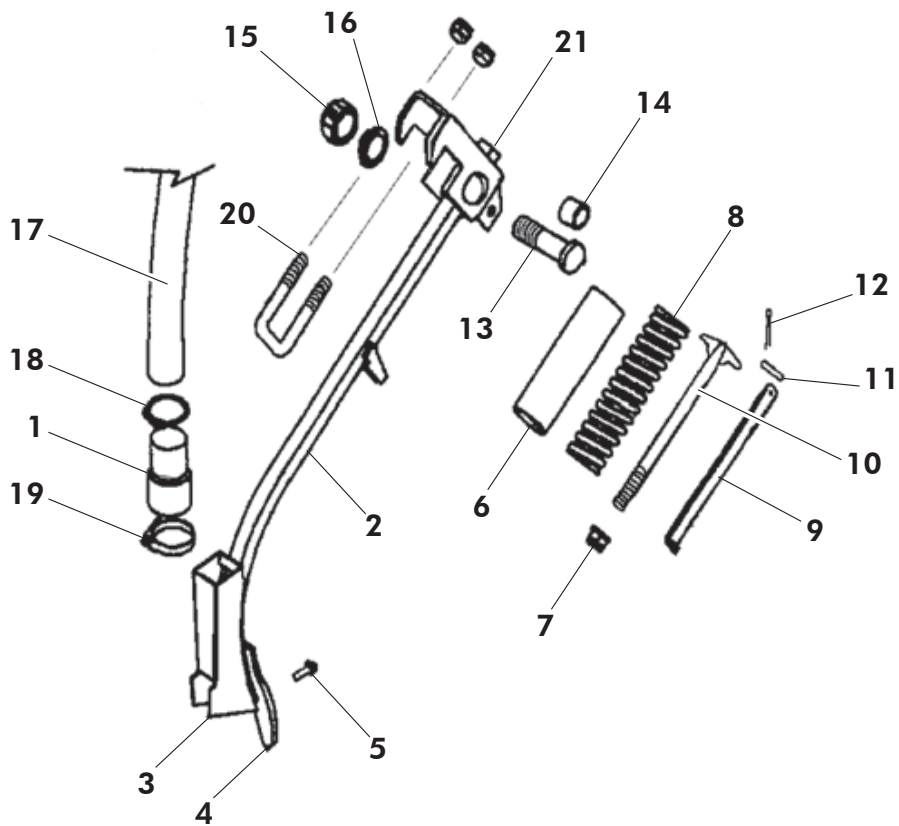


FIGURE	CODE
1	PS-051365 PS-052410 PS-052409
2	PS-012407
3	PS-051318
4	PS-052406
5	PS-052407-D
6	PS-052407-I
7	PS-052408
8	BU-051304
9	125 25 BI
10	94 5X40 BI
11	933 12X35 8.8B
12	985 12
13	FE-610012
14	BU-042000
15	B03-204



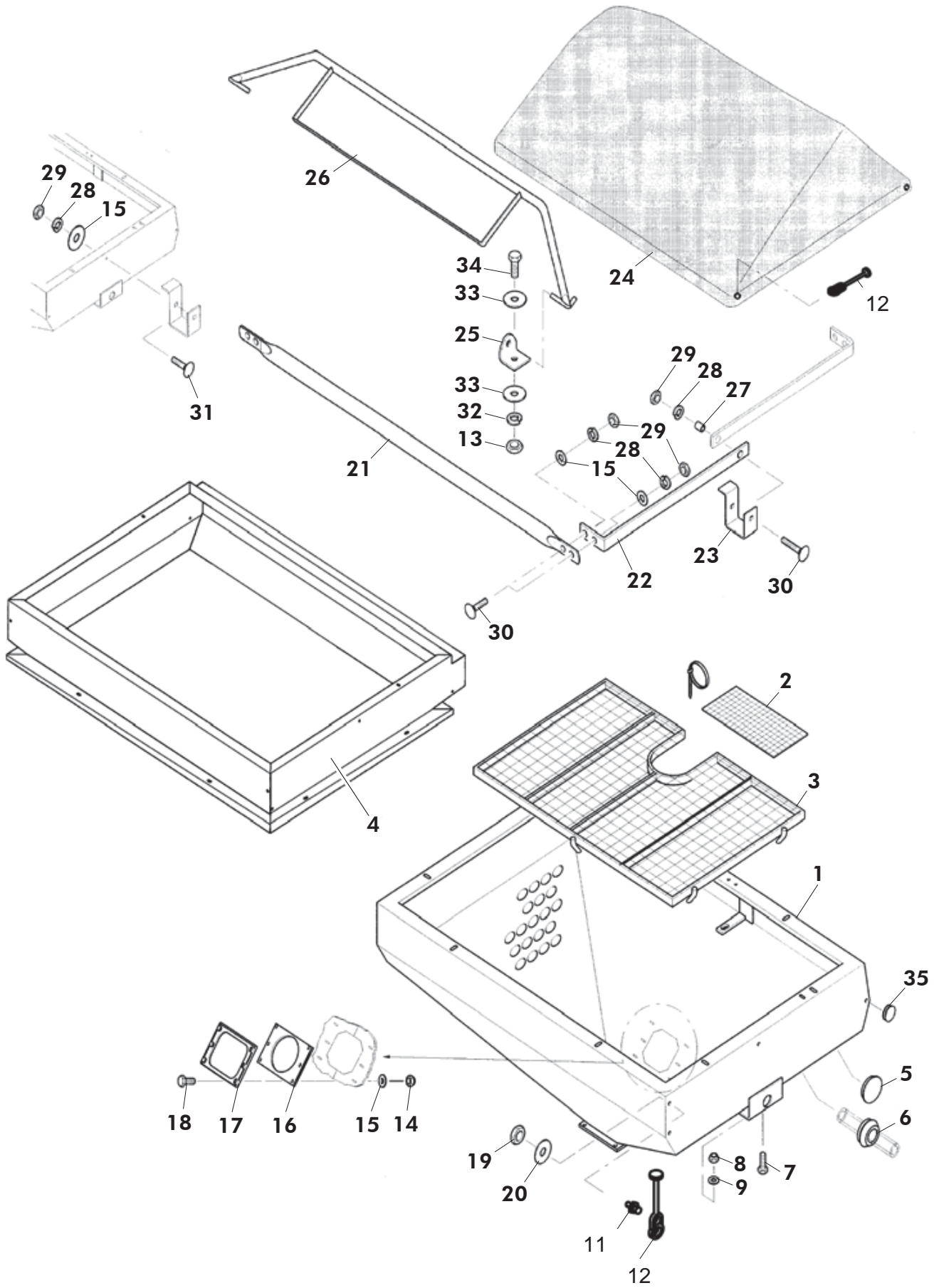
9.7 Arms 799

FIGURE	CODE
1	PL-051300
2	PS-2611
2	PS-2611/D
2	PS-2611/I
3	CO-051302
4	FO-050301
5	608/934 9x45
6	EE-050310
7	985 14
8	ML-050300
9	EE-050301
10	FO-050303
11	BU-050302
12	94 3,5x20 BI
13	EE-050312
14	PL-050302
15	985 2/15
16	125 20 BI
17	MP-907018
18	ML-051301
19	FE-606003
20	EE-050314
21	CO-050302



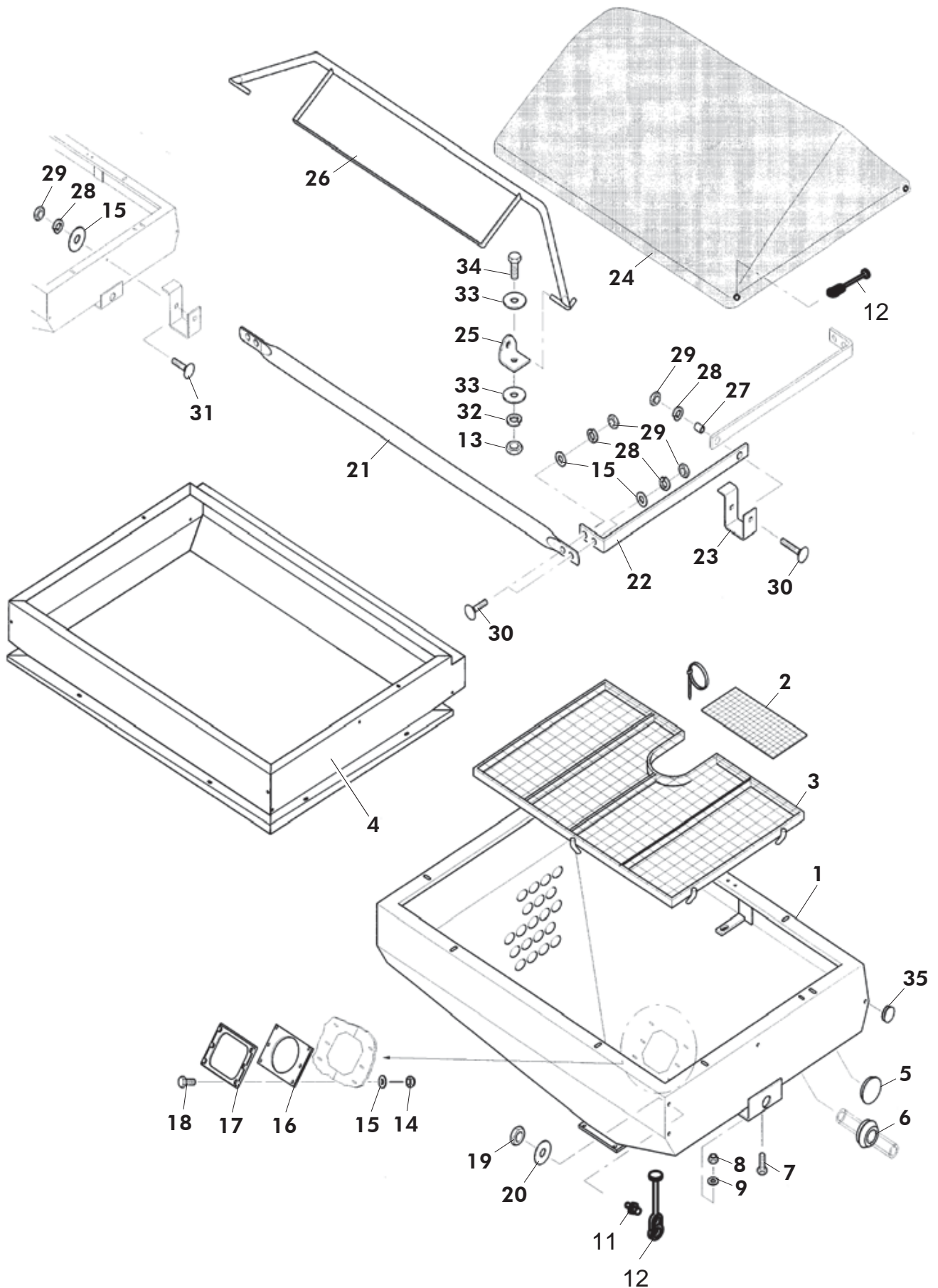
9.8 Hopper

FIGURE	CODE
1	CO-021301
2	CO-021302
3	CO-021303
4	PS-021300
4	PS-021305
5	PL-022200
6	PL-022201
7	933 12X35 8.8 B
8	985 12
9	125 12 BI
10	933 8X20 8.8 B
11	ME-021702
12	PL-031300
13	934 8 BI
14	985 6
15	9021 6 BI
16	PL-021302
17	CO-021304
18	933 6X20 8.8 B
19	985 8
20	125 8 BI
21	CO-021305
22	CO-021306
23	CO-021307
24	RE-021300
25	CO-021308
26	CO-021309
27	CO-021310
28	127 6 BI



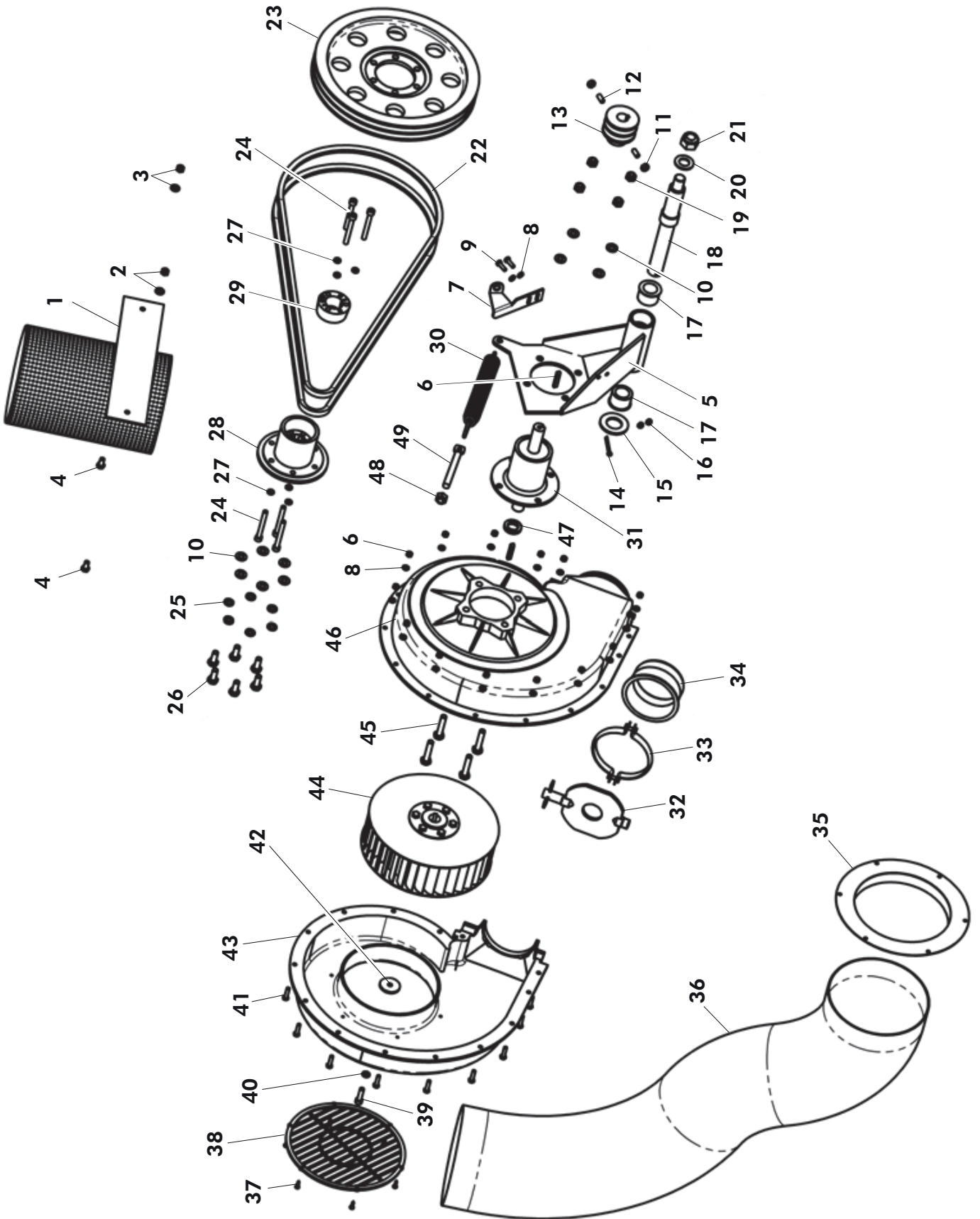
9.8 Hopper

FIGURE	CODE
29	934 6 BI
30	603 6X25 BI
31	603 6X16 BI
32	127 8 BI
33	9021 8 BI
34	933 8X30 8.8 B
35	PL-021303



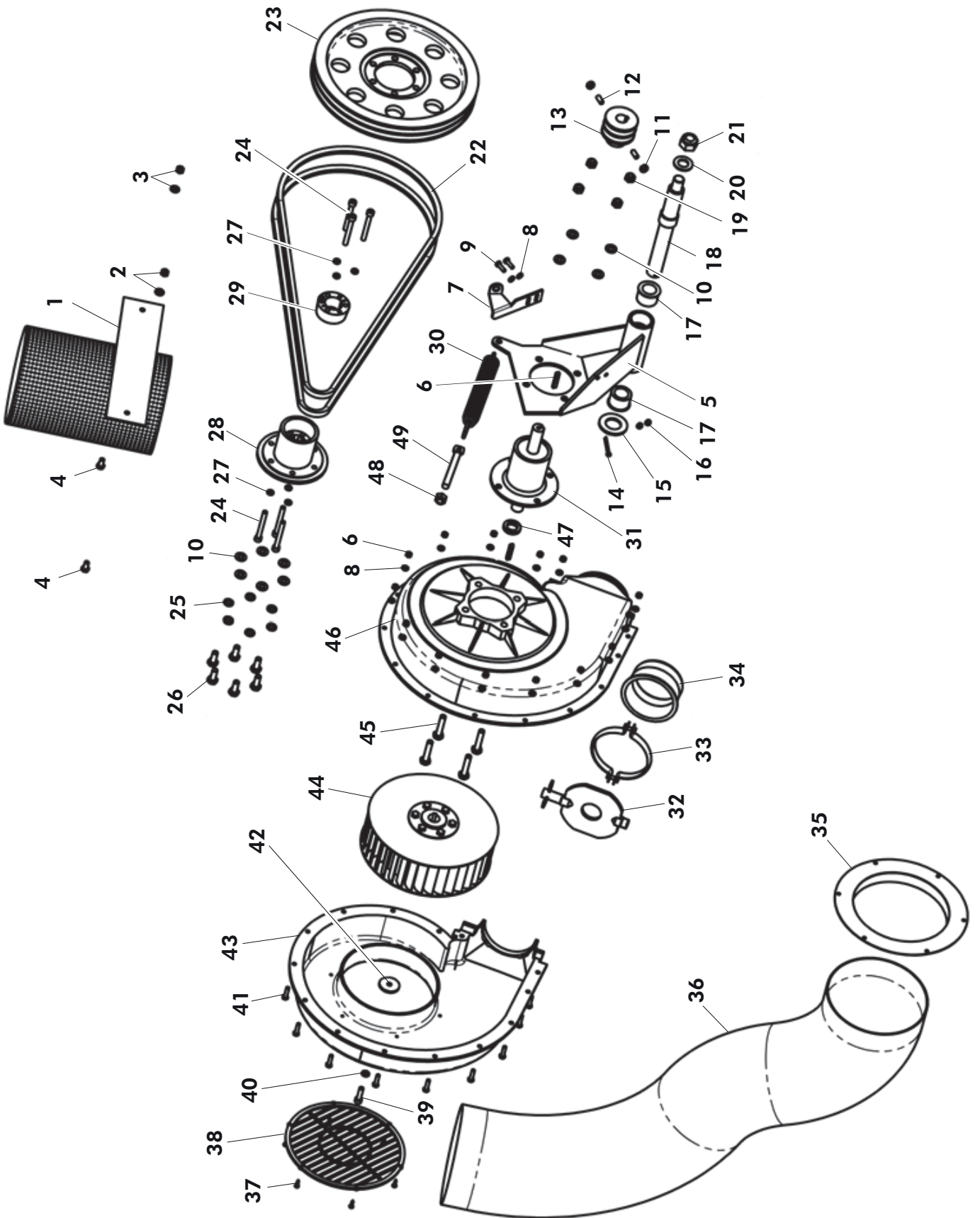
9.9 Fan

FIGURE	CODE
1	PS-042400
2	125 8
3	985 8
4	933 8X16 8.8B
5	PS-041334
6	6885-A 6X6X35
7	PX-041322
8	125 6 BI
9	933 6X20 8.8B
10	125 10 BI
11	934 8 BI
12	933 8X20 B PUN
13	CO-042402
14	94 5X40 BI
15	125 30 BI
16	985 6
17	PL-041306
18	ME-011305
19	985 10
20	125 20 BI
21	985 20
22	FE-604048
23	CO-042401-00
24	912 8X70 8,8 B
25	127 10 BI
26	933 10X25 8.8 B
27	7980 8 BI
28	CO-042401-01
29	CO-042401-02



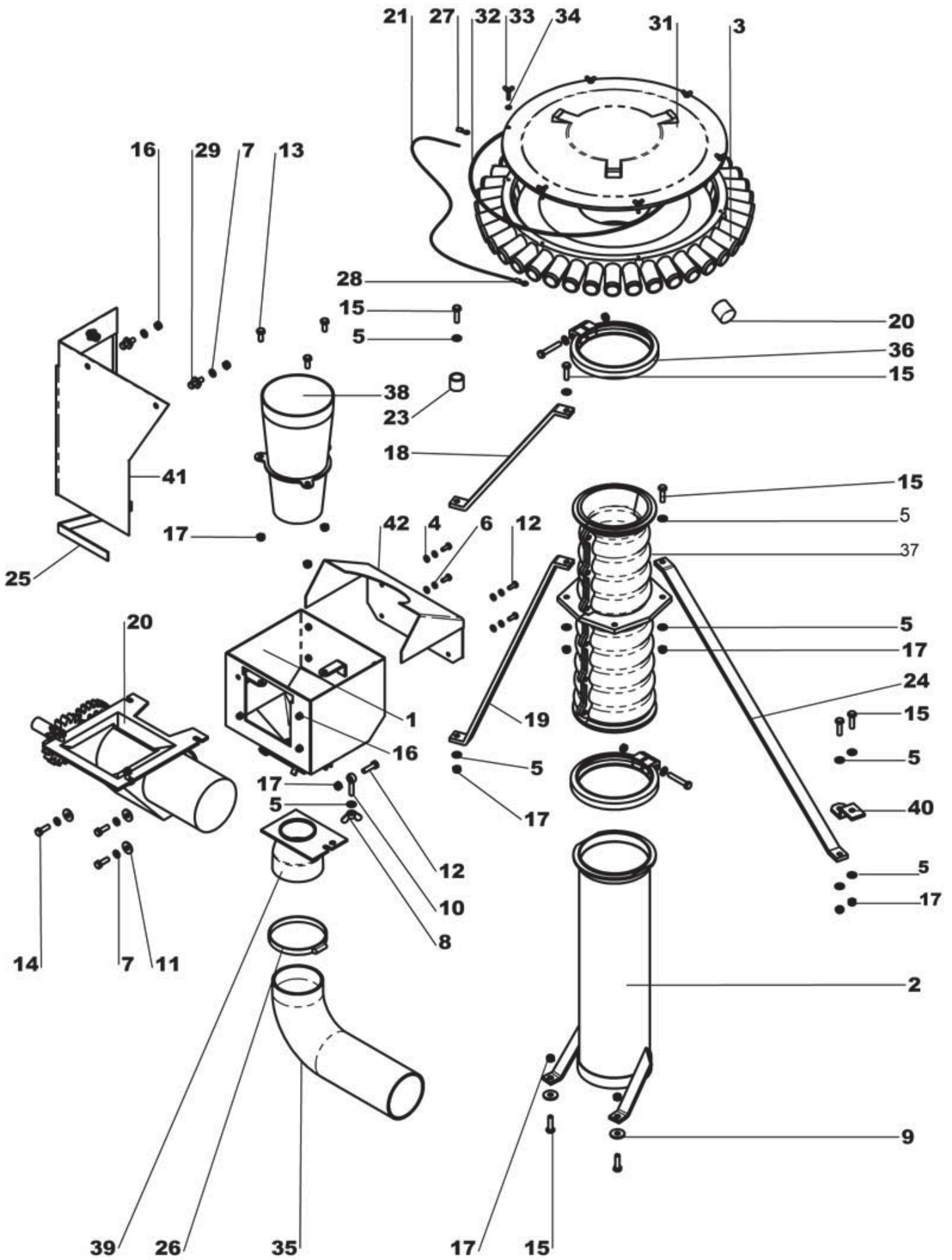
9.9 Fan

FIGURE	CODE
30	ML-051601
31	CO-041313
32	CO-041310-07
33	CO-041310-05
34	CO-041310-06
35	PS-041326
36	MP-907055
37	7971 4,2X16 BI
38	CO-041310-04
39	912 8X30 8,8
40	127 8 BI
41	933 6X25 8.8B
42	ME-041351
43	CO-041310-02
44	CO-041310-03
45	933 10X50 8.8 B
46	CO-041310-01
47	CO-041310-08
48	985 12-150
49	T05-09



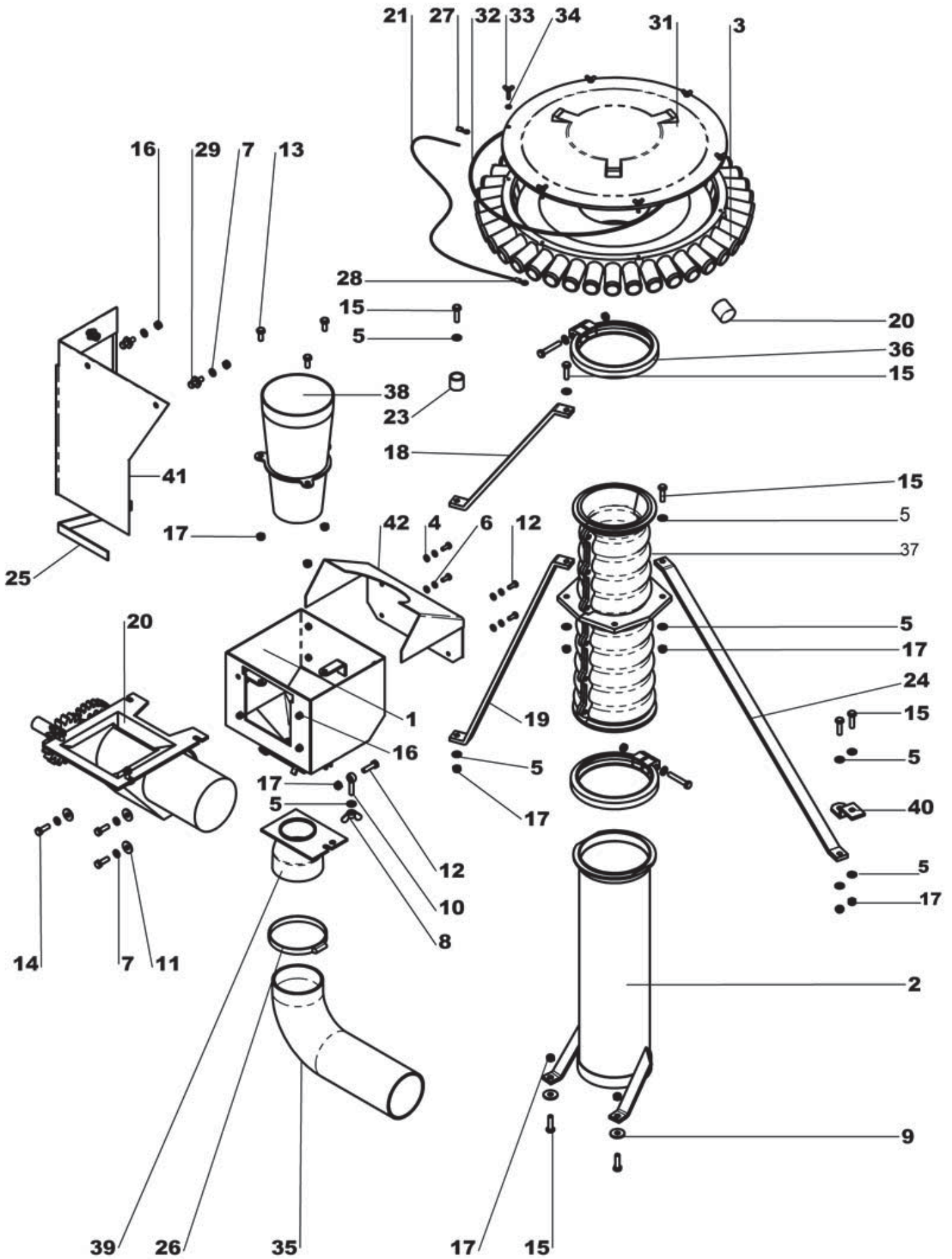
9.10 Distribution

FIGURE	CODE
1	PS-041329
2	PS-041330
	PS-041331
3	MO-041345
	MO-041337
	MO-041323
4	125 6 BI
5	125 8 BI
6	127 6 BI
7	127 8 BI
8	315 8 BI
9	440 9 BI
10	444 8X40 8.8B
11	9021 8 BI
12	933 6X16 8.8 B
13	933 8X20 8.8 B
14	933 8X25 8.8 B
15	933 8X30 8.8 B
16	934 8
17	985 8
18	EE-041311
19	EE-041312
20	CN-817040
21	CN-816008



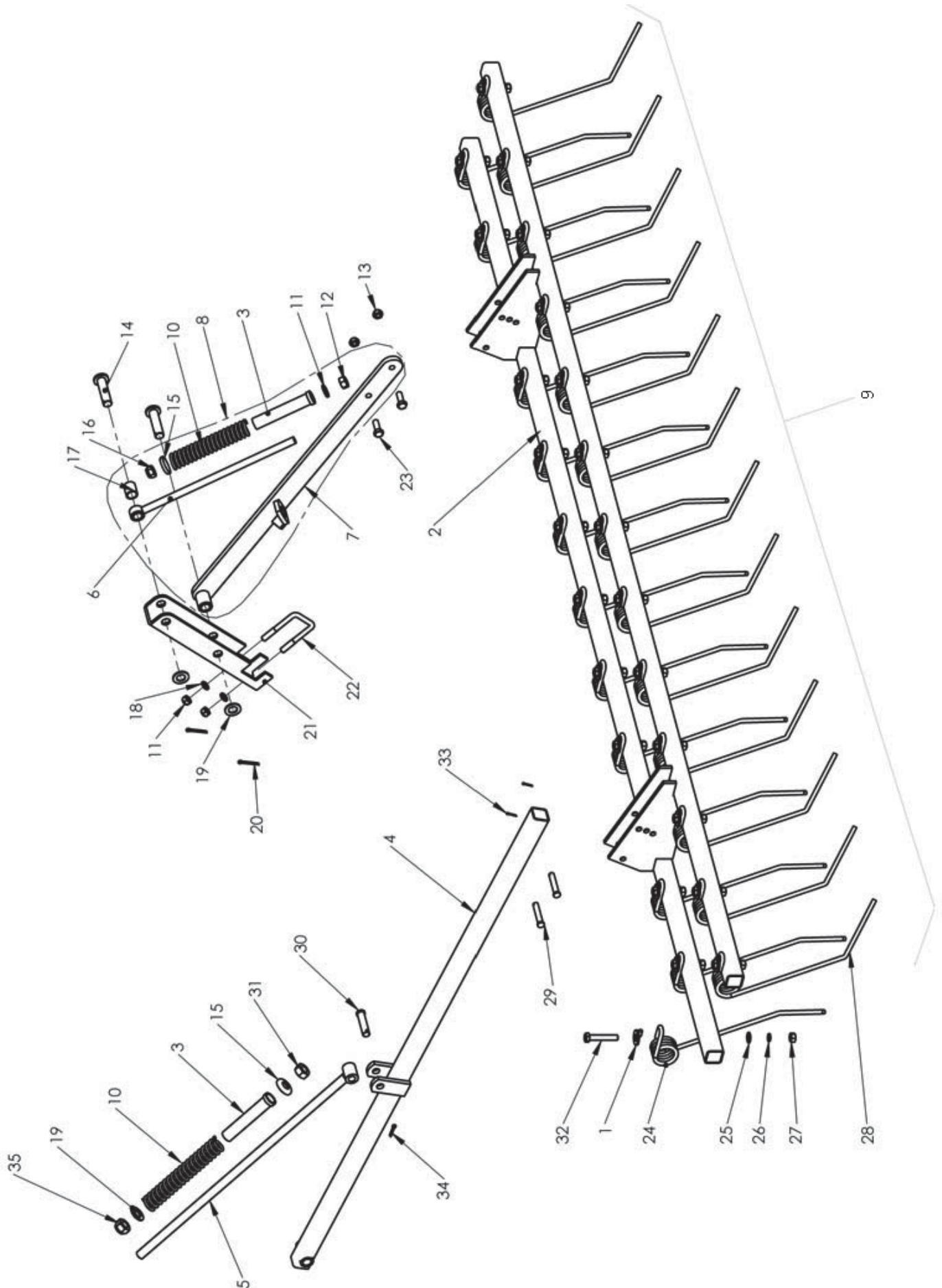
9.10 Distribution

FIGURE	CODE
22	CO-041305
23	CT-041317
24	EE-041317
25	EE-041318
26	EE-041327
27	FE-606008
28	FE-650018
29	FE-650019
30	ME-021702
31	ME-041355
	ME-041353
	ME-041329
32	FE-601049
	FE-601048
	FE-601034
33	316 5X20 BI
34	125 5 BI
35	MP-907006
36	PL-041302
37	PL-041303
38	PL-041304
39	PL-041305
40	PX-041306
41	VA-041305
42	PX-041324



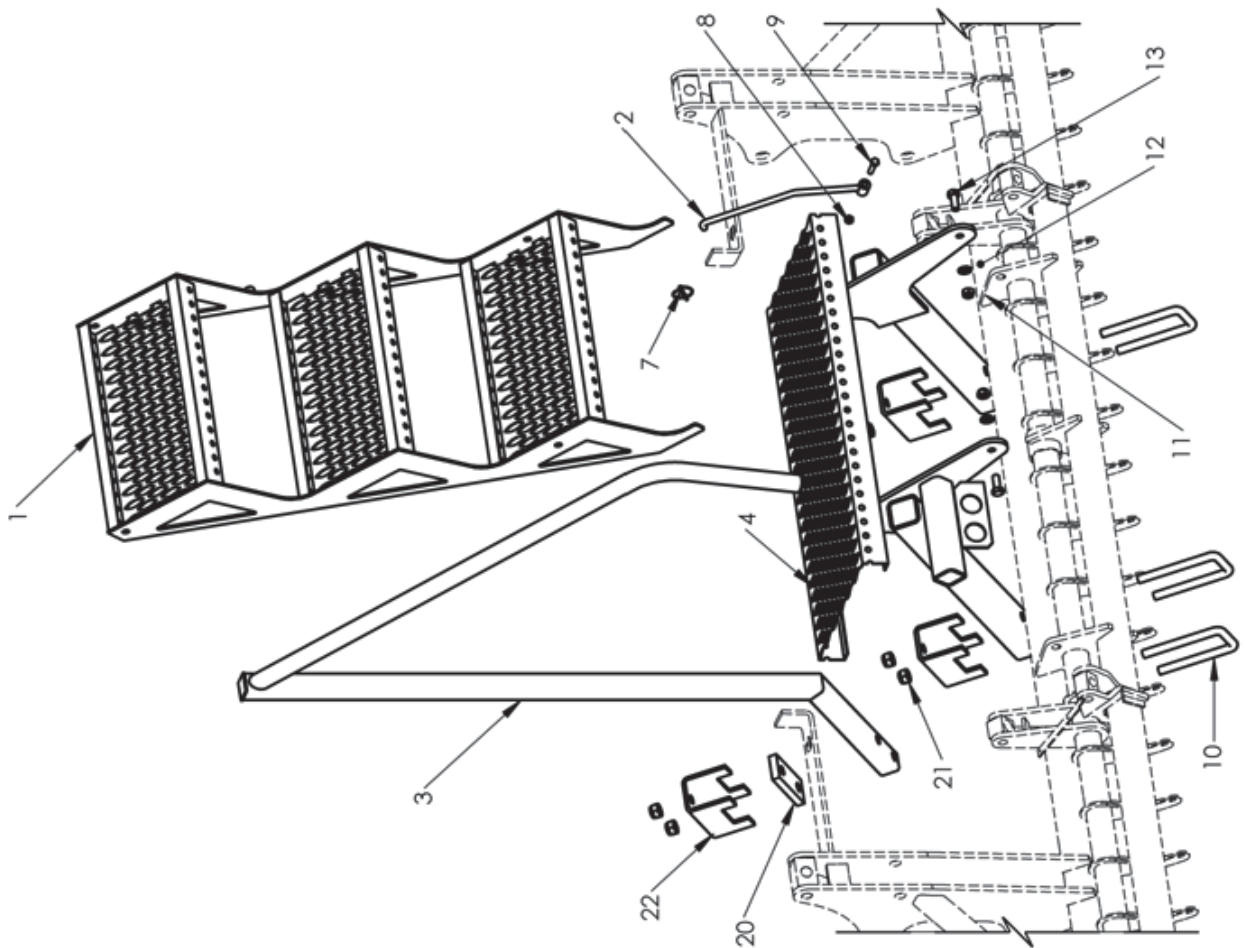
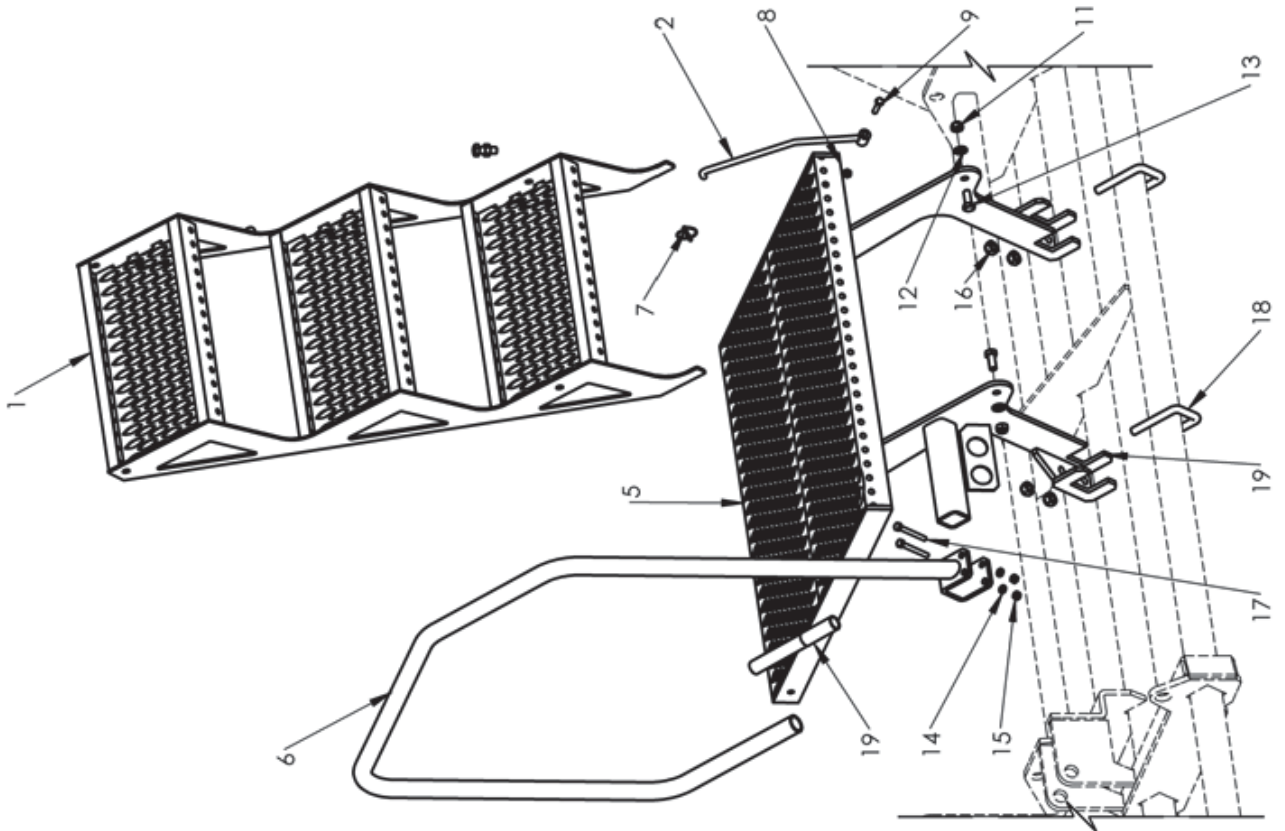
9.11 Spring harrow

FIGURE	CODE
1	PS-081314
2	PS-082400
	PS-082403
	PS-082405
3	PS-1735
4	PS-082401
5	PS-082402
6	PS-1710
7	PS-081311-D
	PS-081311-I
8	MO-081305-D
	MO-081305-I
9	MO-082401
	MO-082403
	MO-082405
	MO-082406
	MO-082407
	MO-082408
10	ML-080104
11	125 16 BI
12	934 16 BI
13	985 12
14	B03-177
15	T08-23
16	985 16
17	CT-081305
18	7980 14 BI
19	125 20 BI
20	94 5X40 BI
21	U02-25
22	EE-053702
23	933 12X35 8.8B
24	ML-080400-I
25	125 12 BI
26	7980 12 BI
27	934 12 BI
28	ML-080400-D
29	BU-060300
30	B03-204
31	934 20 BI
32	931 12X70 8.8B
33	94 3,5X20 BI
34	94 5X25 BI
35	985 20



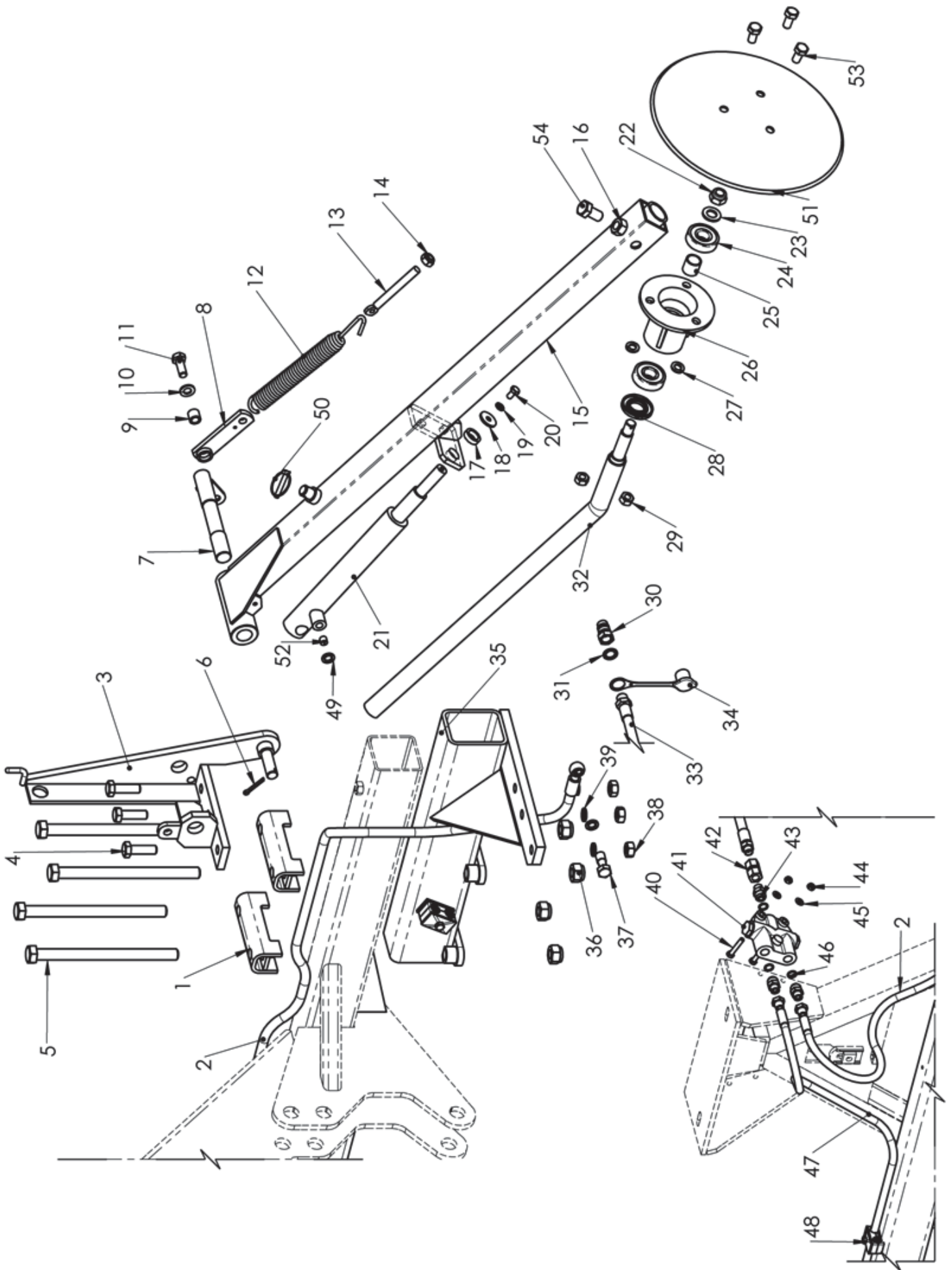
9.12 Platform and rail

FIGURE	CODE
1	PS-071314
2	PS-071317
3	PS-072400
4	PS-082404
5	PS-071318
6	PS-072401
7	FE-610012
8	985 8
9	931 8X35 8.8B
10	EE-060228
11	985 12
12	125 12 BI
13	933 12X30 8.8B
14	127 8 BI
15	934 8 BI
16	985 14
17	931 8X75 8.8B
18	EE-050314
19	ME-071301
20	EE-082401
21	985 16
22	R01-116



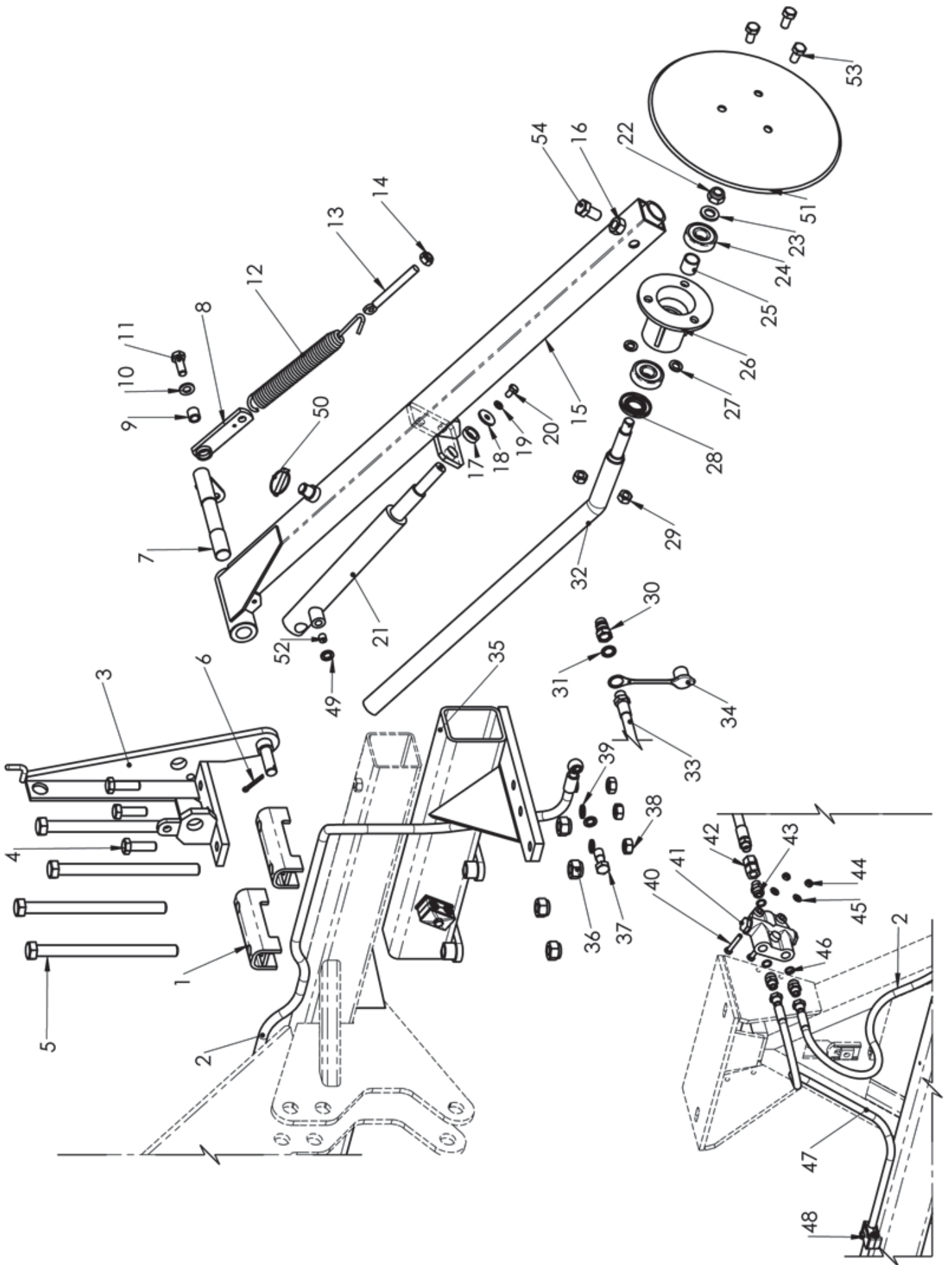
9.13 Track markers

FIGURE	CODE
1	PS-050624
2	HI-700202
3	PS-101303-D PS-101303-I
4	931 14X45 8.8B
5	931 18X240 8.8B
6	94 5X32 BI
7	PS-101304
8	PS-1805
9	A01-26
10	125 12 BI
11	933 12X35 8.8B
12	ML-050201
13	T05-09
14	985 12
15	PS-1815-D PS-1815-I
16	934 16
17	CT-100302
18	EE-030200
19	127 8 BI
20	933 8X15 8.8B
21	CO-101300
22	985 16
23	125 16 BI
24	FE-600005
25	CT-100800
26	B07-30
27	127 12 BI



9.13 Track markers **+**

FIGURE	CODE
28	FE-601000
29	934 12 BI
30	HI-701000
31	HI-705002
32	PR-100201
	PR-100202
33	HI-700065-
34	HI-707001
35	PS-102400-I
36	985 18
	PS-102400-D
37	HI-702000
38	934 14 BI
39	7980 14 BI
40	931 8X45 8.8B
41	HI-706013
42	HI-704019
43	HI-704030
44	985 8
45	125 8 BI
46	3770 14.25
47	HI-700203
48	HI-708001
49	HI-705001
50	FE-610006
51	EE-100217
52	ME-100210
53	933 12X25 8.8B
54	933 16X30 8.8B





MAQUINARIA AGRÍCOLA SOLÁ, S.L.

Ctra. de Igualada, s/n. Apdo. Correos, 11
08280 CALAF (Barcelona) ESPAÑA

Tel. 34 93 868 00 60*

Fax. 34 93 868 00 55

www.solagrupo.com

e-mail:sola@solagrupo.com