



# PNEUMATIC PLANTER HARVEST



# MANUAL DE REPUESTOS

*Las Sembradoras y Abonadoras **SOLÀ** están fabricadas en una factoría exclusivamente especializada en este renglón y avaladas por la experiencia de muchos miles de usuarios.*

*Son máquinas de elevada tecnología previstas para un largo servicio, sin averías, en las más variadas condiciones y con dispositivos simples y eficaces para efectuar una excelente labor con un mínimo mantenimiento.*

*Con la información de todas sus posibilidades y ajustes deseamos ayudarle a conseguir lo que Vd. espera de nuestra máquina.*



*Sistema de calidad certificado*

2ª Edición - Agosto 2021

Ref.: CN-811118

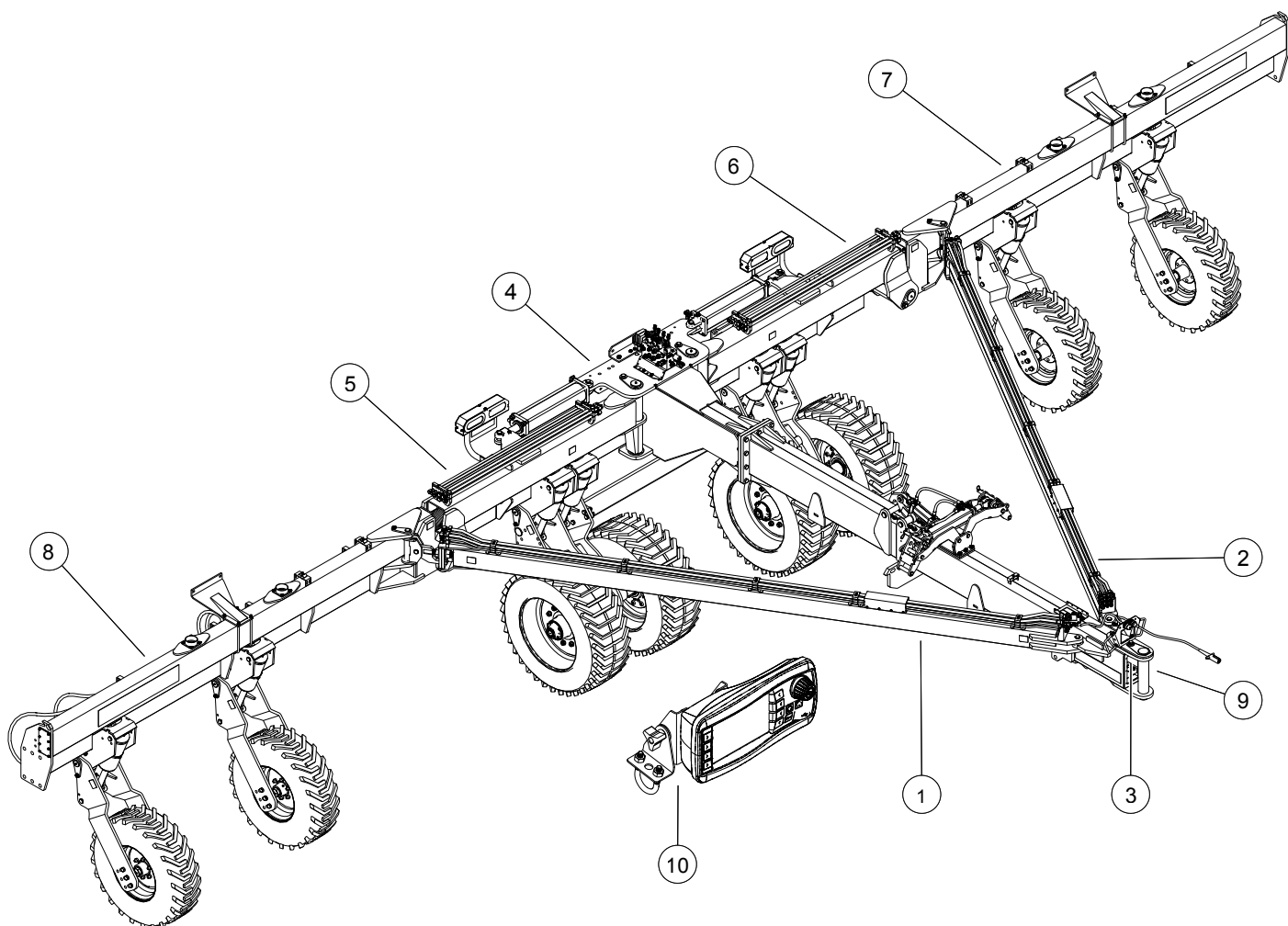
Created by: M.A. SOLÀ

Prohibida la reproducción total o parcial de este manual.

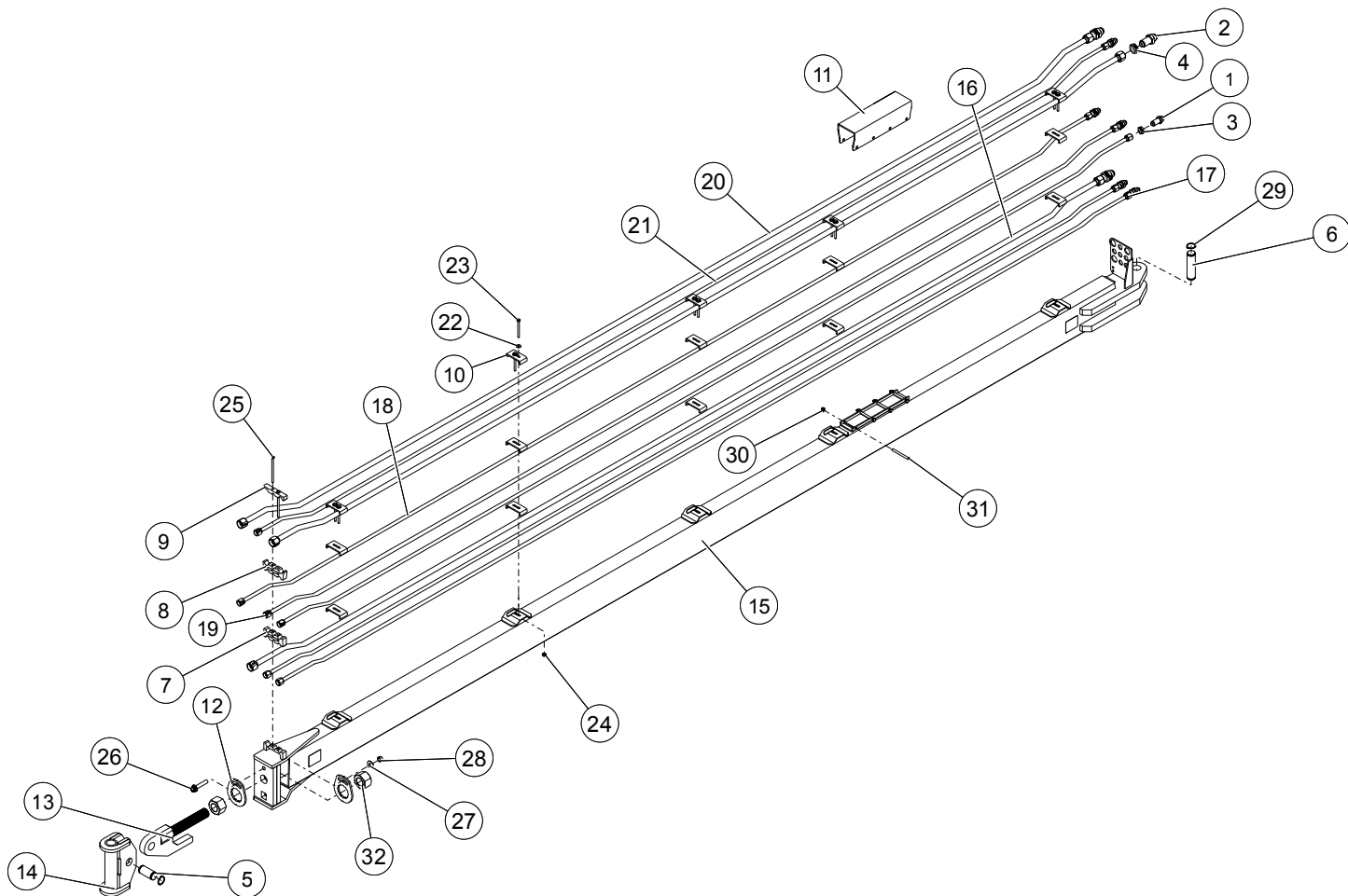
Especificaciones sujetas a modificaciones sin previo aviso.

Las fotografías no muestran necesariamente la versión estándar.

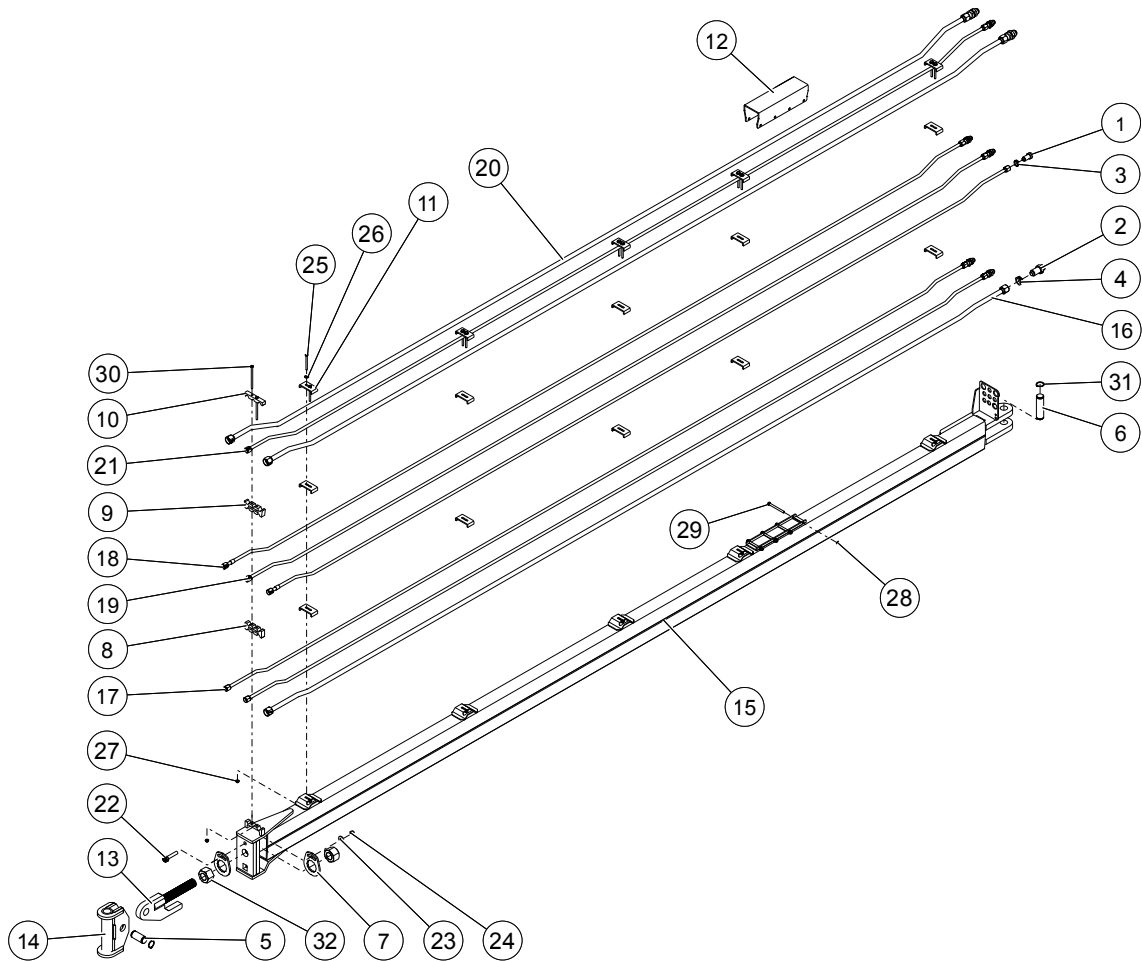




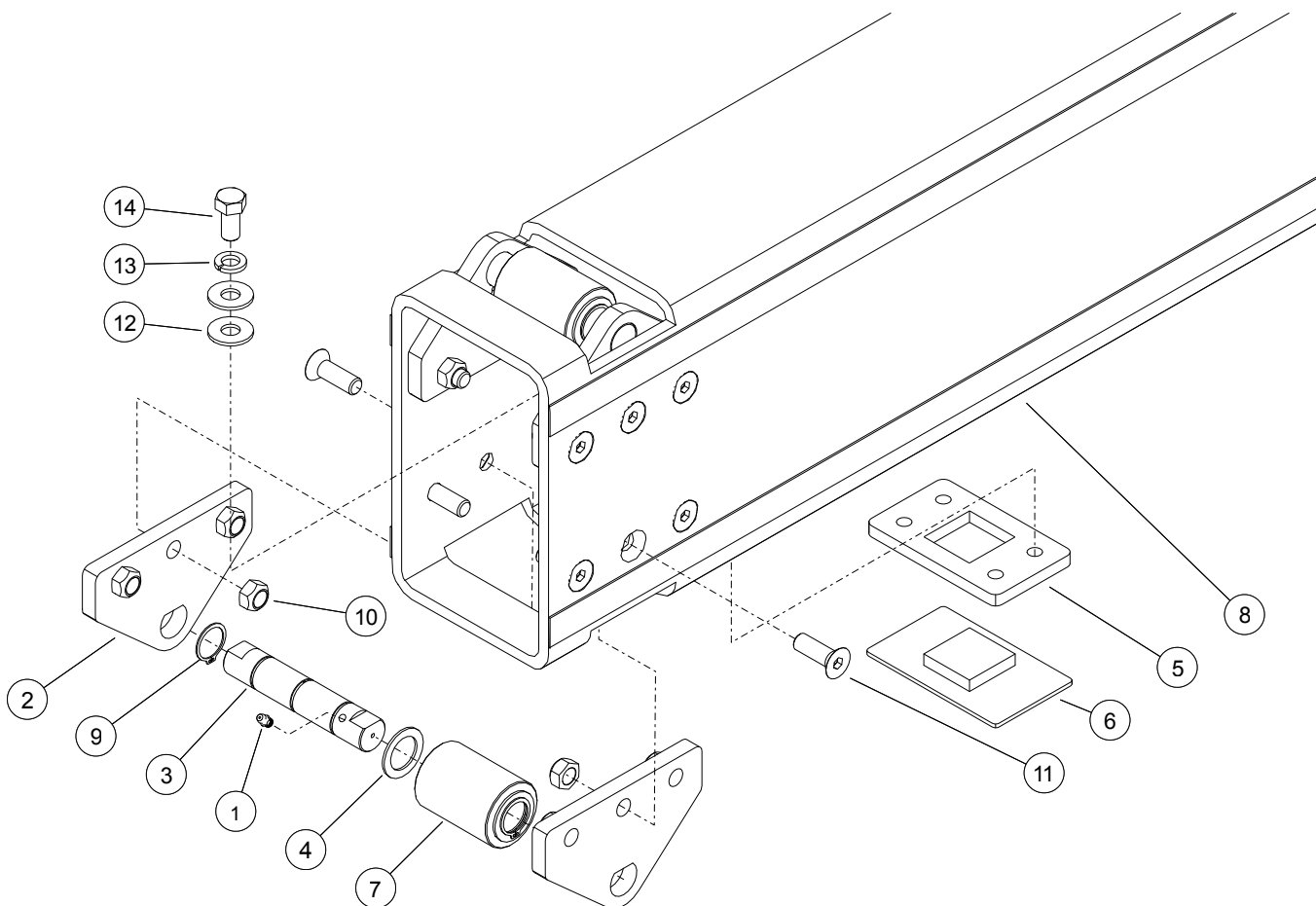
N°	REF.	DESCRIPTION	Qty
1	TB90402B	DRAFT TUBE, RIGHT, 40 SERIES	1
2	TB90403B	DRAFT TUBE, LEFT, 40 SERIES	1
3	TB90428A	INNER TONGUE ASSY, 40 SERIES	1
4	TB90453AFR 35CM	CENTER SECTION ASSY, PB40SERIES, 35CM	1
5	TB90454 SOLA	WING HINGE, RIGHT, PB40 SERIES, 35CM	1
6	TB90457 SOLA	WING HINGE, LEFT, PB40 SERIES, 35CM	1



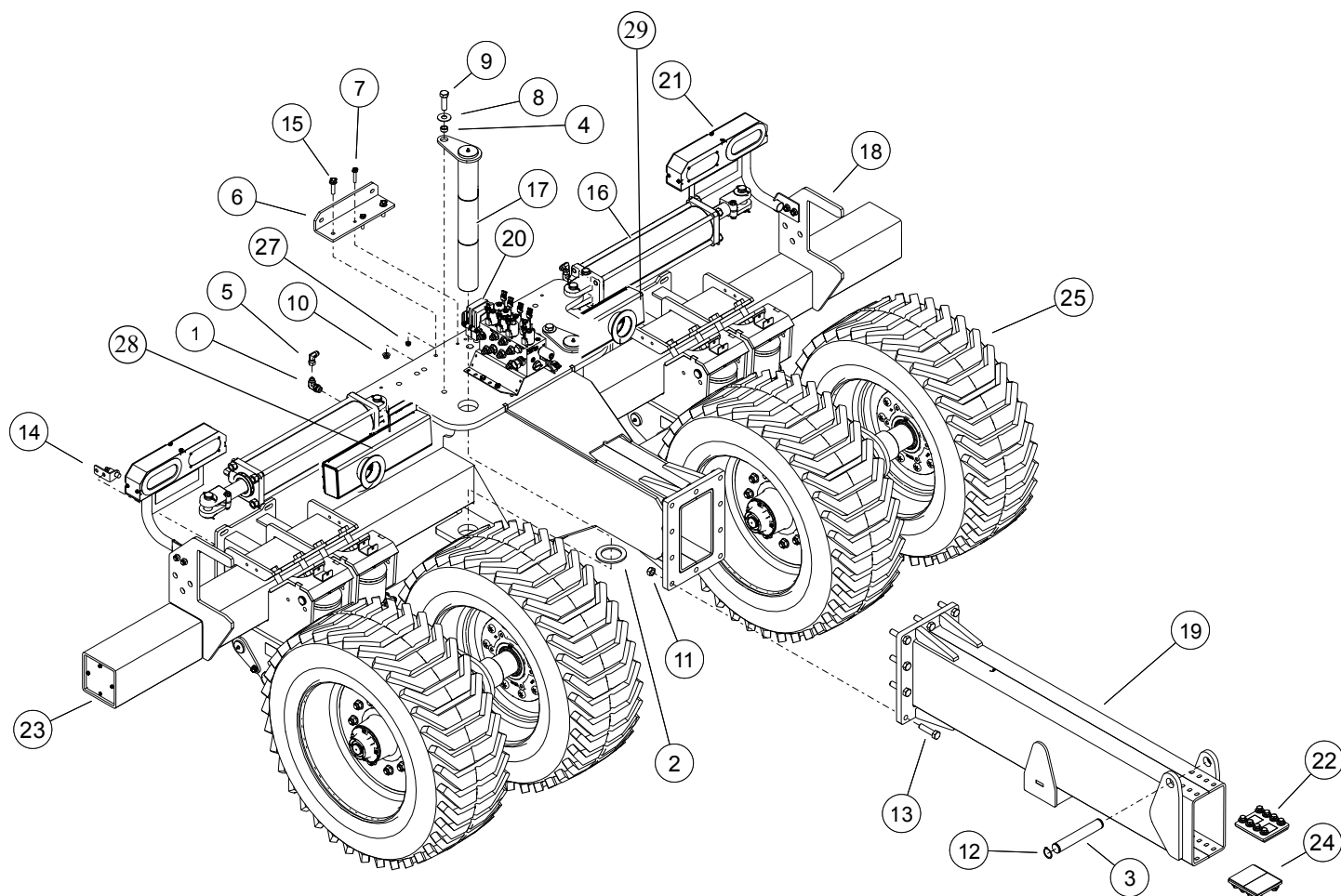
Nº	REF.	DESCRIPTION	Qty
1	2700-08-08	FITTING, BULKHEAD, #8 JIC MALE BOTH ENDS	6
2	2700-12-12	FITTING, BULKHEAD, #12 JIC MALE BOTH ENDS	3
3	306-08	NUT, HEX JAM, #8 BULKHEAD FITTING	6
4	306-12	NUT, HEX JAM, #12 BULKHEAD FITTING	3
5	70508A	PIN, DRAFT TUBE, FLEX HINGE, SNAP RINGS	1
6	70828	PIN, DRAFT TUBE/ OT, 3x6 DRAFT TUBE,30,40,45FT	1
7	71756	SPACER, HYD LINE MNT	1
8	71757	SPACER, HYD LINE MNT	1
9	71758	CAP, HYD LINE MNT	1
10	71768	TUBE HOLD DOWN, DRAFT TUBE	15
11	71800	GUARD, STEEL HYD LINE, TOP, WIDE	1
12	72140	RETAINER, FOR NUT #40344, 1-3/8-12UNF	2
13	CO-211706	CONJUNTO VARILLA ROSCADA AJUSTE TENSOR DE TIRO (90149A)	1
14	90150A	HINGE ASSY, DRAFT TUBE, FLEX	1
15	90402B	DRAFT TUBE ASSY, RIGHT 40FT BAR	1
16	90928	STEEL HYD LINE, DRAFT TUBE, 3/4" BOTTOM INNER	1
17	90929	STEEL HYD LINE, DRAFT TUBE, 1/2" BOTTOM	2
18	90930	STEEL HYD LINE, DRAFT TUBE, 1/2" MID OUT/IN	2
19	90931	STEEL HYD LINE, DRAFT TUBE, 1/2" MID	1
20	90932	STEEL HYD LINE, DRAFT TUBE, 3/4" TOP	2
21	90933	STEEL HYD LINE, DRAFT TUBE, 1/2" TOP	1
22	40067	WASHER, FLAT, 1/4", ZINC	10
23	40323	BOLT, 1/4-20UNC X 3, GRD 5, ZINC	10
24	40049	NUT, 1/4-20UNC, HEX FLANGE, GRD 5, ZINC	12
25	40324	BOLT, 1/4-20UNC X 4-1/2" , HEX, GRD5, ZINC	2
26	40426	BOLT, 1/2-13UNC X 1-1/2" HEX FLANGE, GRD 5, ZINC	1
27	40066	WASHER, FLAT, 1/2", ZINC	1
28	40048	NUT, 1/2-13UNC, HEX, TOPLOCK, ZINC	1
29	FE-614162	SAEGER BULON CILINDRO RUEDAS ALAS (HARVEST 40232)	4
30	40059	NUT, 5/16-18UNC, HEX FLANGE, GRD 5, ZINC	4
31	40180	BOLT, 5/16-18UNC X 3-1/2" HEX, GRD 5, ZINC	4
32	40344	NUT, 1-3/8-12UNF, HEX, BEARING FACE, GRD	2



N°	REF.	DESCRIPTION	Qty
1	2700-08-08	FITTING, BULKHEAD, #8 JIC MALE BOTH ENDS	6
2	2700-12-12	FITTING, BULKHEAD, #12 JIC MALE BOTH ENDS	3
3	306-08	NUT, HEX JAM, #8 BULKHEAD FITTING	6
4	306-12	NUT, HEX JAM, #12 BULKHEAD FITTING	3
5	70508A	PIN, DRAFT TUBE, FLEX HINGE, SNAP RINGS	1
6	70828	PIN, DRAFT TUBE/ OT, 3x6 DRAFT TUBE,30,40,45FT	1
7	72140	RETAINER, FOR NUT #40344, 1-3/8-12UNF	2
8	71756	SPACER, HYD LINE MNT	1
9	71757	SPACER, HYD LINE MNT	1
10	71758	CAP, HYD LINE MNT	1
11	71768	TUBE HOLD DOWN, DRAFT TUBE	15
12	71800	GUARD, STEEL HYD LINE, TOP, WIDE	1
13	CO-211706	CONJUNTO VARILLA ROSCADA AJUSTE TENSOR DE TIRO (90149A)	1
14	90150A	HINGE ASSY, DRAFT TUBE, FLEX	1
15	90403B	DRAFT TUBE, LEFT	1
16	90928	STEEL HYD LINE, DRAFT TUBE, 3/4" BOTTOM INNER	1
17	90929	STEEL HYD LINE, DRAFT TUBE, 1/2" BOTTOM	2
18	90930	STEEL HYD LINE, DRAFT TUBE, 1/2" MID OUT/IN	2
19	90931	STEEL HYD LINE, DRAFT TUBE, 1/2" MID	1
20	90932	STEEL HYD LINE, DRAFT TUBE, 3/4" TOP	2
21	90933	STEEL HYD LINE, DRAFT TUBE, 1/2" TOP	1
22	40426	BOLT, 1/2-13UNC X 2-1/2" HEX FLANGE, GRD 5, ZINC	1
23	40066	WASHER, FLAT, 1/2", ZINC	1
24	40048	NUT, 1/2-13UNC, HEX, TOPLOCK, ZINC	1
25	40323	BOLT, 1/4-20UNC X 3, HEX, GRD 5, ZINC	10
26	40067	WASHER, FLAT, 1/4", ZINC	10
27	40049	NUT, 1/4-20UNC, HEX FLANGE, GRD 5, ZINC	12
28	40059	NUT, 5/16-18UNC, HEX FLANGE, GRD 5, ZINC	4
29	40180	BOLT, 5/16-18UNC X 3-1/2" HEX, GRD 5, ZINC	4
30	40324	BOLT, 1/4-20UNC X 4-1/2" , HEX, GRD5, ZINC	2
31	FE-614162	SAEGER BULON CILINDRO RUEDAS ALAS (HARVEST 40232)	4
32	40344	NUT, 1-3/8-12UNF, HEX, BEARING FACE, GRD 8, ZINC	2

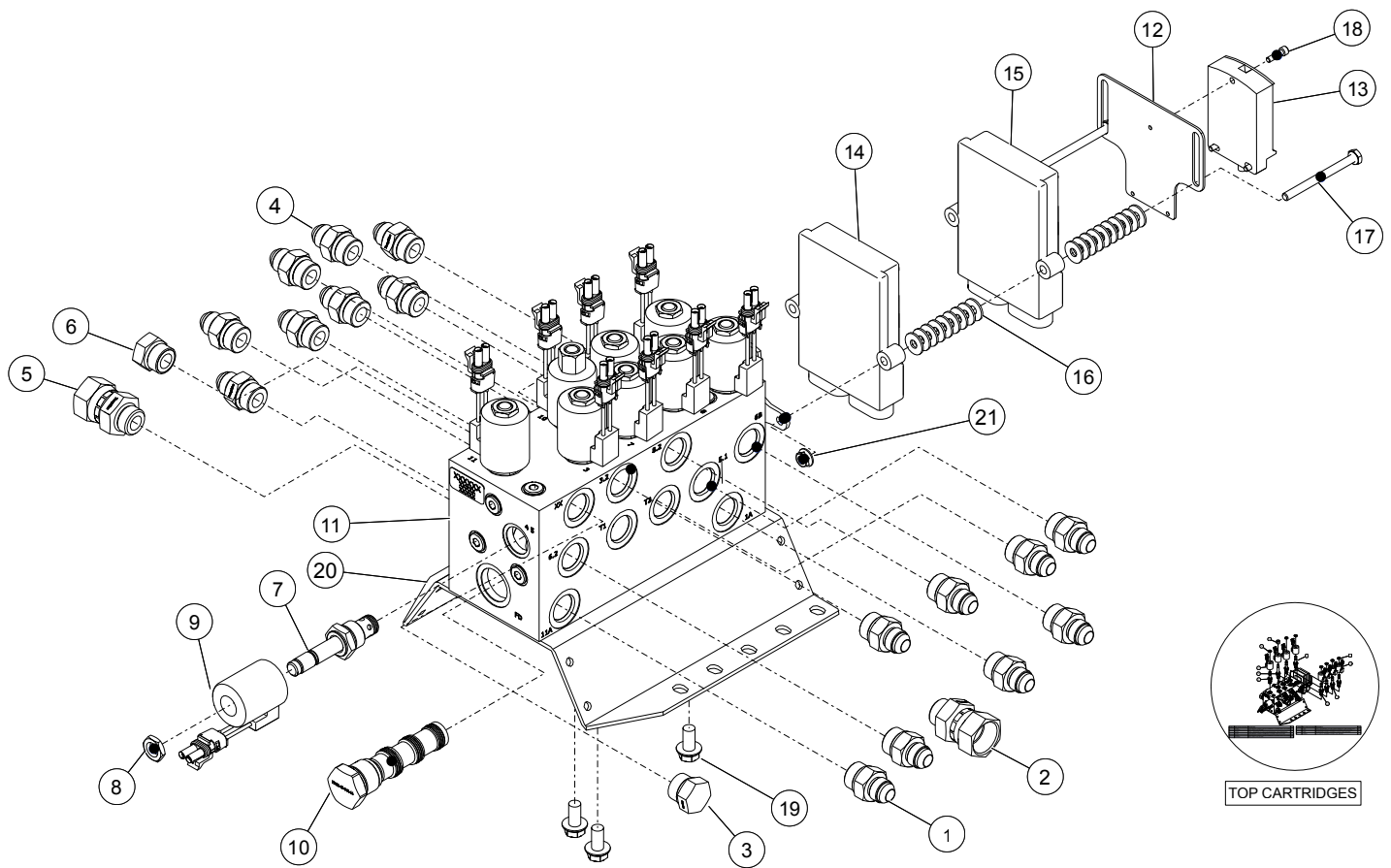


N°	REF.	DESCRIPTION	Qty
1	10245	ZERK, GREASE, 1/4-28UNF, STRAIGHT	4
2	70986	PLATE, ROLLER MOUNT	8
3	70987	SHAFT, ROLLER SUPPORT	4
4	70988	WASHER, ROLLER RETAIN	8
5	71083	PLATE, STOP BLOCK WEARPAD RETAIN	1
6	CO-111764	PATIN TUBO TELESOPICO LANZA(71085)	1
7	90426	ROLLER ASSY, INNER TONGUE	4
8	90427A	TUBE ASSY, INNER TONGUE	1
9	40234	SNAP RING, HD, 1" EXTERNAL	8
10	40048	NUT, 1/2-13UNC, HEX, TOPLOCK, ZINC	24
11	40246	BOLT, 1/2-13UNC X 1-1/2", FHCS, SH	24
12	40066	WASHER, FLAT, 1/2", ZINC	8
13	40072	WASHER, LOCK, 1/2", SPLIT, ZINC	4
14	40335	BOLT, 1/2-13UNC X 1-1/2" HEX, GRD 8, ZINC	4

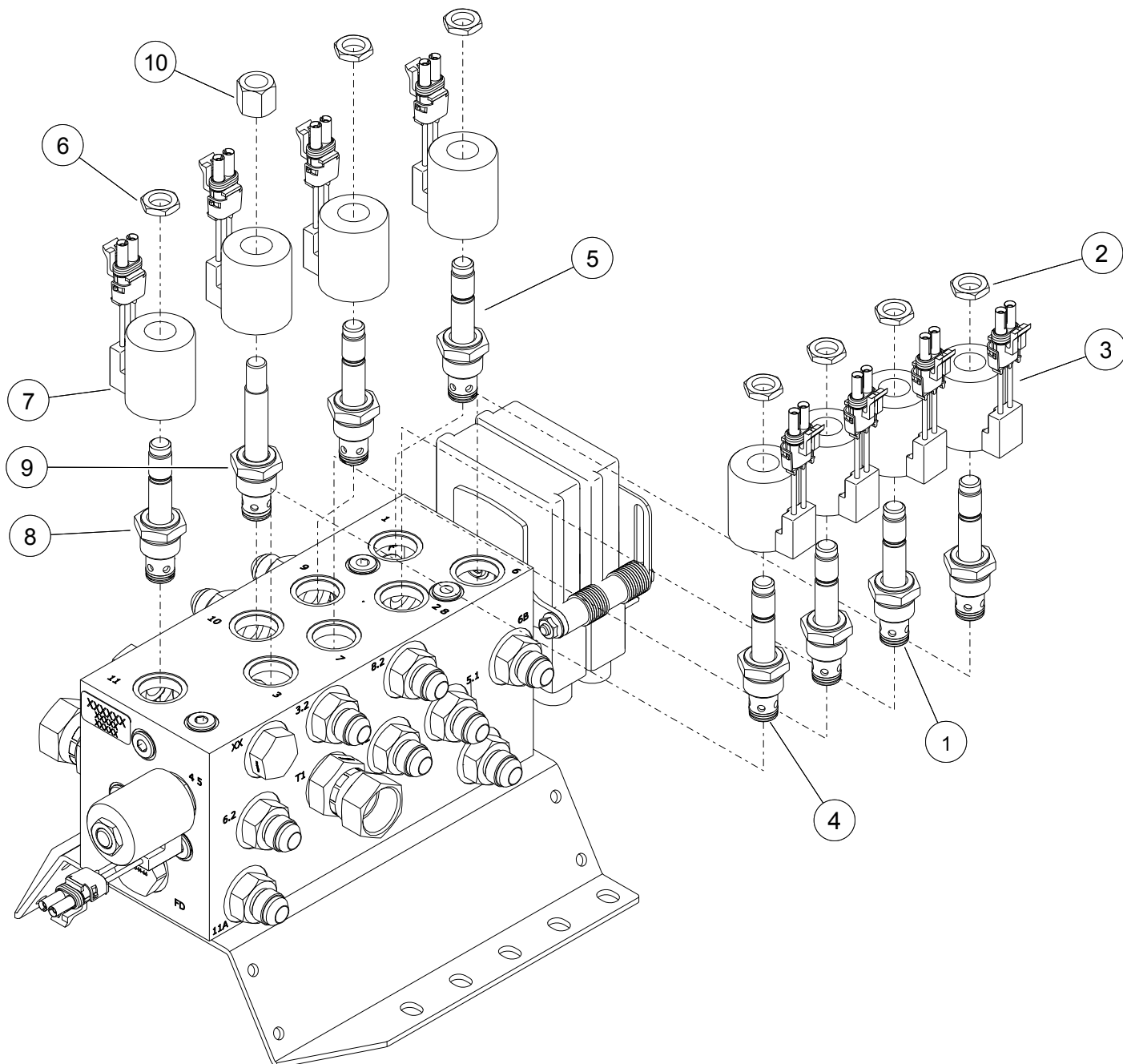


N°	REF.	DESCRIPTION	Qty
1	6801-08-10	ELBOW, 90 DEGREE, #8JIC MALE x #10 O-RING MALE	4
2	70159	WASHER, 3-1/16" ID	2
3	70753	PIN, TONGUE LATCH	1
4	70997	SPACER, WING HINGE PIN, RETAIN	2
5	6500-08-08	ELBOW, #8 JIC MALE X #8 JIC FEMALE SWIVEL	2
6	71129	BRACKET, FAN MNT, PLANTER	1
7	40088	BOLT, 3/8-16UNC X 2" HEX FLANGE, GRD 5, ZINC	2
8	40068	WASHER, FLAT, 3/4", ZINC	2
9	40020	BOLT, 3/4-10UNC X 2-1/2" HEX, GRD 5, ZINC	2
10	40047	NUT, 1/2-13UNC, HEX FLANGE, GRD 5, ZINC	2
11	40242	NUT, 3/4-16UNF, HEX, TOPLOCK, ZINC	10
12	40233	SNAP RING, 1.5", HEAVY DUTY, EXTERNAL, ZINCED	2
13	40249	BOLT, 3/4-16UNF x 3, GRD 8, ZINC	10
14	70042B	BRACKET, MARKER SAFETY SWITCH, GEN 3 HARNESS	1
15	40127	BOLT, 1/2-13UNC X 2", HEX FLANGE, GRD 5, ZINC	2
16	CO-111765	CILINDRO ABATIBLES 5"X20"(90003)	2
17	90019A	PIN, WING HINGE/CENTER SECTION	2
18	90453	CENTER SECTION, 40FT PLANTER	1
19	90652A	TUBE ASSY, OUTER, 40FT PLANTER	1
20	TB90340B	MANIFOLD, SELECTOR VALVE, W/FITTINGS, MNT BRACKETS	1
21	TB90629	LIGHT ASSY, SAFETY, PLANTER BAR	1
22	TB90806	WEARPAD ASSY, TOP	1
23	PS-411718	PROLONGA CHASIS HARVEST L=300mm	2
24	TB91065	WEAR PAD ASSY, LOWER, DOUBLE PAD ASSY	1
25	TB91114 35CM	MUCKMASTER WHEEL ASSY, 35 CM ROW SPACE	1
26	40055	NUT, 3/4-10UNC, HEX, TOPLOCK, ZINC	2
27	40056	NUT, 3/8-16UNC, HEX FLANGE, GRD 5, ZINC	2
28	MO-341715	CONJ TOBERA 6SAL ARGO CONJUNTO CENTRAL	1
29	MO-341716	CONJ TOBERA 5SAL ARGO CONJUNTO CENTRAL	1

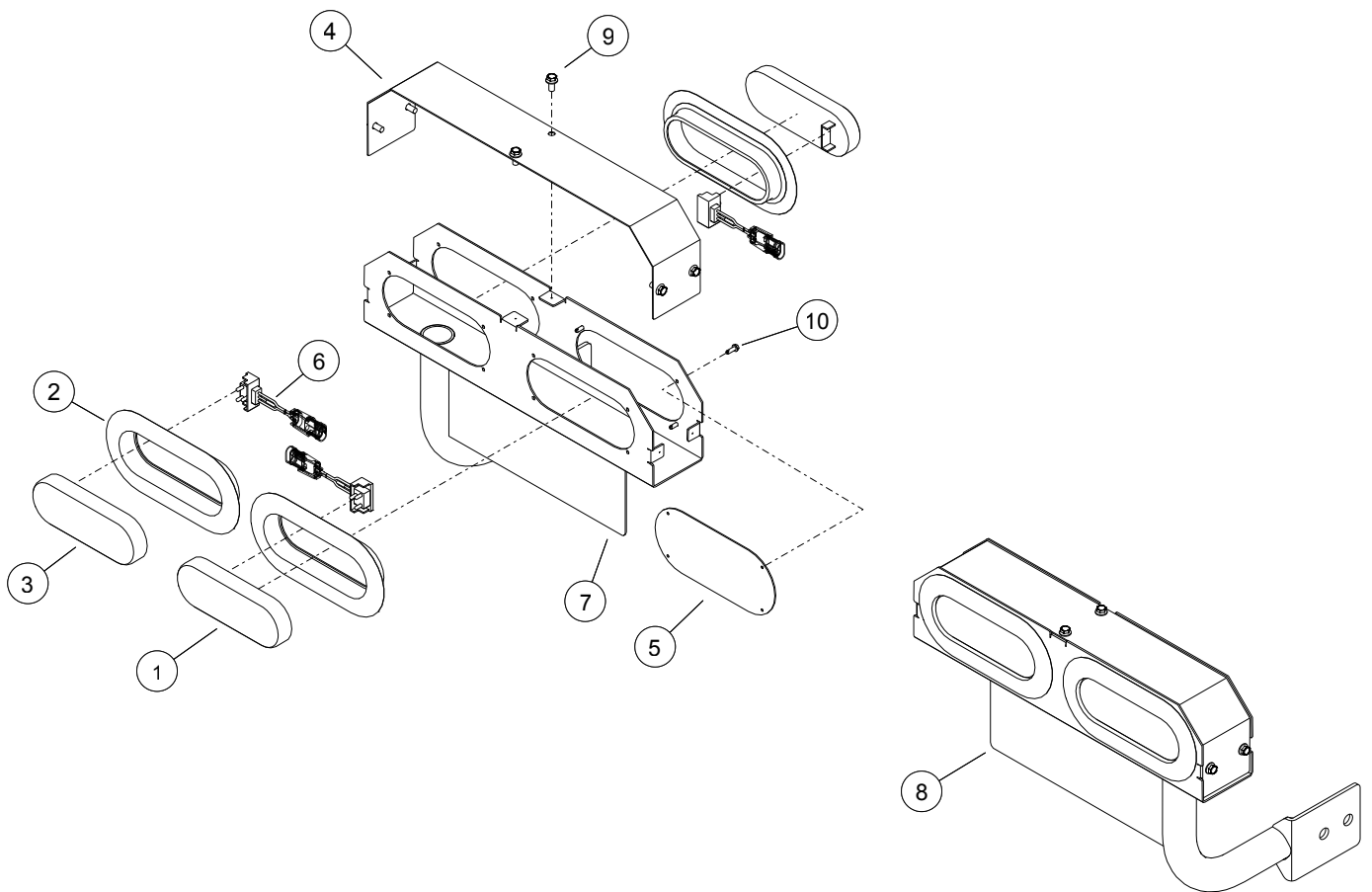




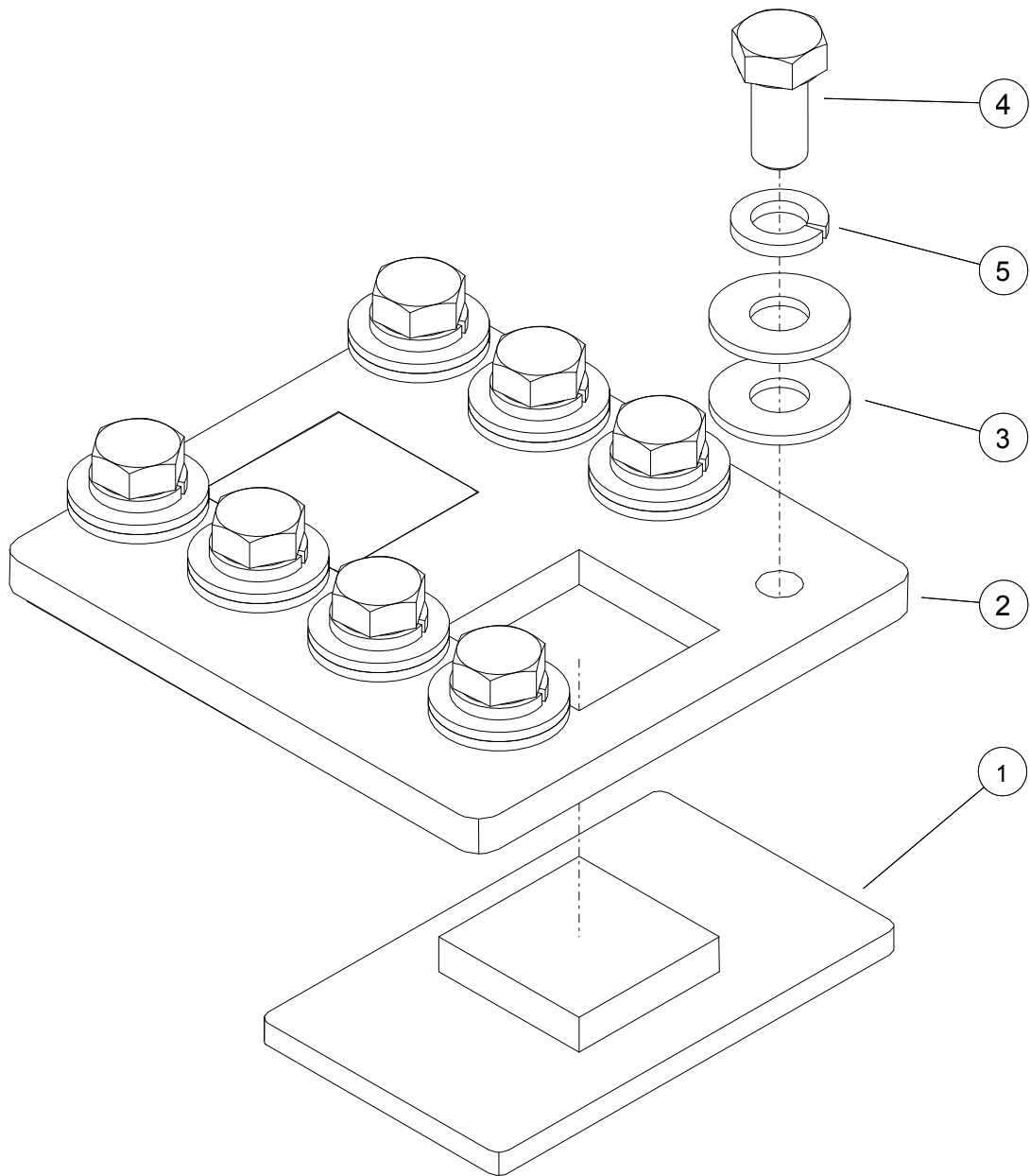
N°	REF.	DESCRIPTION	Qty
1	6400-08-10	FITTING, STRAIGHT, #8 JIC MALE TO #10 O-RING	8
2	6402-10-12	FITTING, #10 O-RING X #12 JIC FEMALE SWIVEL	1
3	6408-10	PLUG, #10 O-RING	1
4	6400-08-10	FITTING, STRAIGHT, #8 JIC MALE TO #10 O-RING	8
5	6402-10-12	FITTING, #10 O-RING X #12 JIC FEMALE SWIVEL	1
6	6408-10	PLUG, #10 O-RING	1
7	71333	CARTRIDGE, POPPET, BI-DIR, NORMALLY CLOSED (SBV1-10-C-0-00)	1
8	71333-01	NUT, THIN, COIL RETAIN	1
9	CO-111749	CONJUNTO SELENOIDE ELECTROVALVULAS HARVEST (HARVEST 71334)	1
10	71335	FLOW DIVIDER, GEN 2 MANIFOLD, (FD52-45-0-N-66)	1
11	71336	MANIFOLD, SELECTOR VALVE, #10 PORTS	1
12	72397	PLATE, M12 (4) POLE MOUNT, GEN 3 HARNESS	1
13	90631-100	M12, 4 POST BOX	1
14	90631-127	CONTROLLER MODULE, REAR MANIFOLD, SAX91	1
15	90631-128	CONTROLLER MODULE, SENSOR INPUT, SAX92	1
16	40067	WASHER, FLAT, 1/4", ZINC	38
17	40323	BOLT, 1/4-20UNC X 3, GRD 5, ZINC	2
18	40295	SCREW, #8-32UNC X 5/8" SOCKET HEAD, ZINC	3
19	40030	BOLT, 3/8-16UNC X 3/4" HEX FLANGE, GRD 5, ZINC	3
20	71001B	BRACKET, VALVE/CONTROLLER MNT	1
21	40049	NUT, 1/4-20UNC, HEX FLANGE, GRD 5, ZINC	1



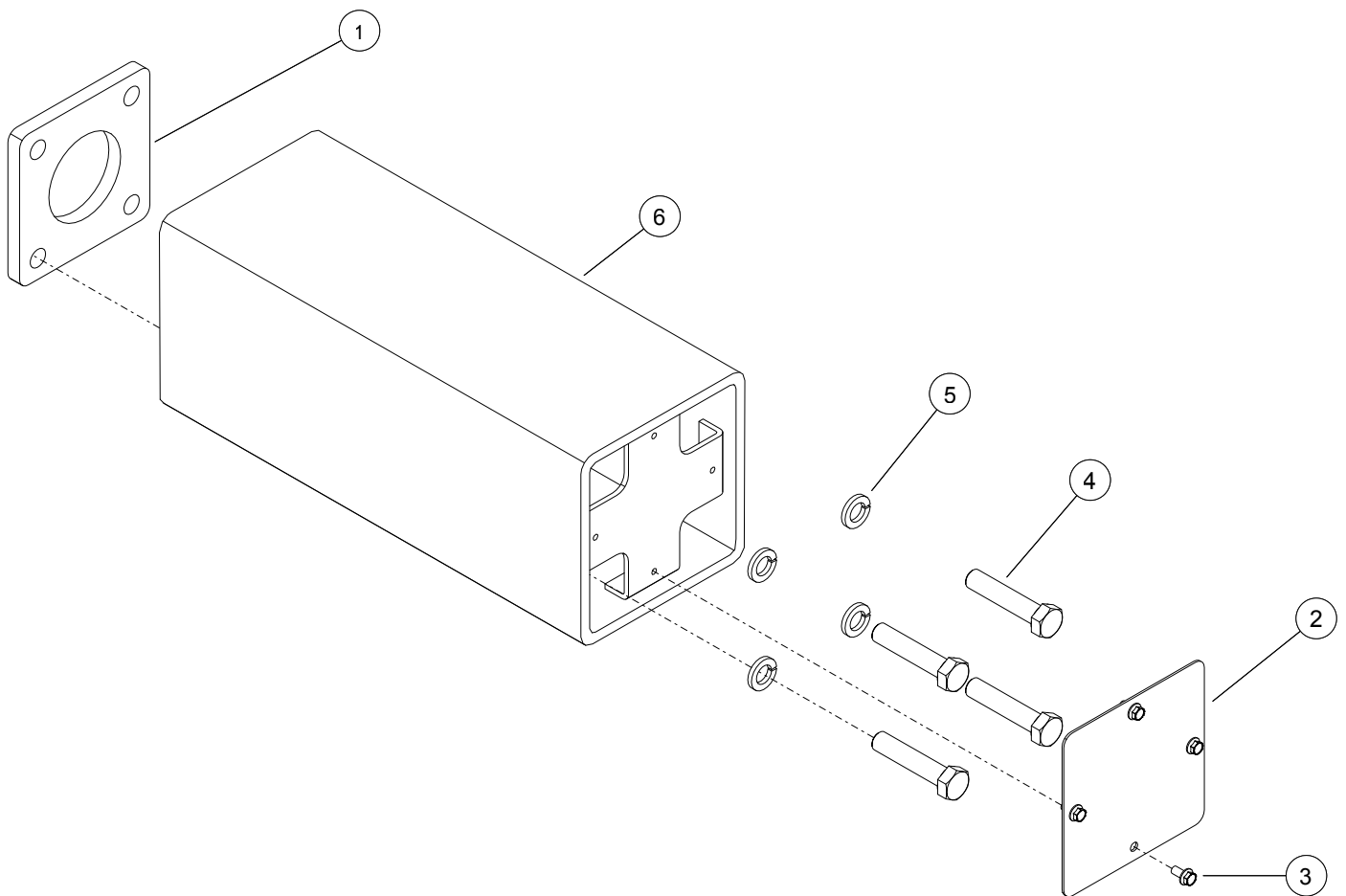
Nº	REF.	DESCRIPTION	Qty
1	71333	CARTRIDGE, POPPET, BI-DIR, NORMALLY CLOSED (SBV1-10-C-0-00)	2
2	71333-01	NUT, THIN, COIL RETAIN	4
3	CO-111749	CONJUNTO SELENOIDE ELECTROVALVULAS HARVEST (HARVEST 71334)	4
4	71337	CARTRIDGE, POPPET, NORMALLY CLOSED, (SV3-10-C-0-00)	2
5	71333	CARTRIDGE, POPPET, BI-DIR, NORMALLY CLOSED (SBV1-10-C-0-00)	1
6	71333-01	NUT, THIN, COIL RETAIN	3
7	CO-111749	CONJUNTO SELENOIDE ELECTROVALVULAS HARVEST (HARVEST 71334)	4
8	71337	CARTRIDGE, POPPET, NORMALLY CLOSED, (SV3-10-C-0-00)	2
9	71338	CARTRIDGE, POPPET, NORMALLY OPEN, (SV3-10-0-0-00)	1
10	71338-01	NUT, THICK, NORMALLY OPEN, COIL RETAIN	1



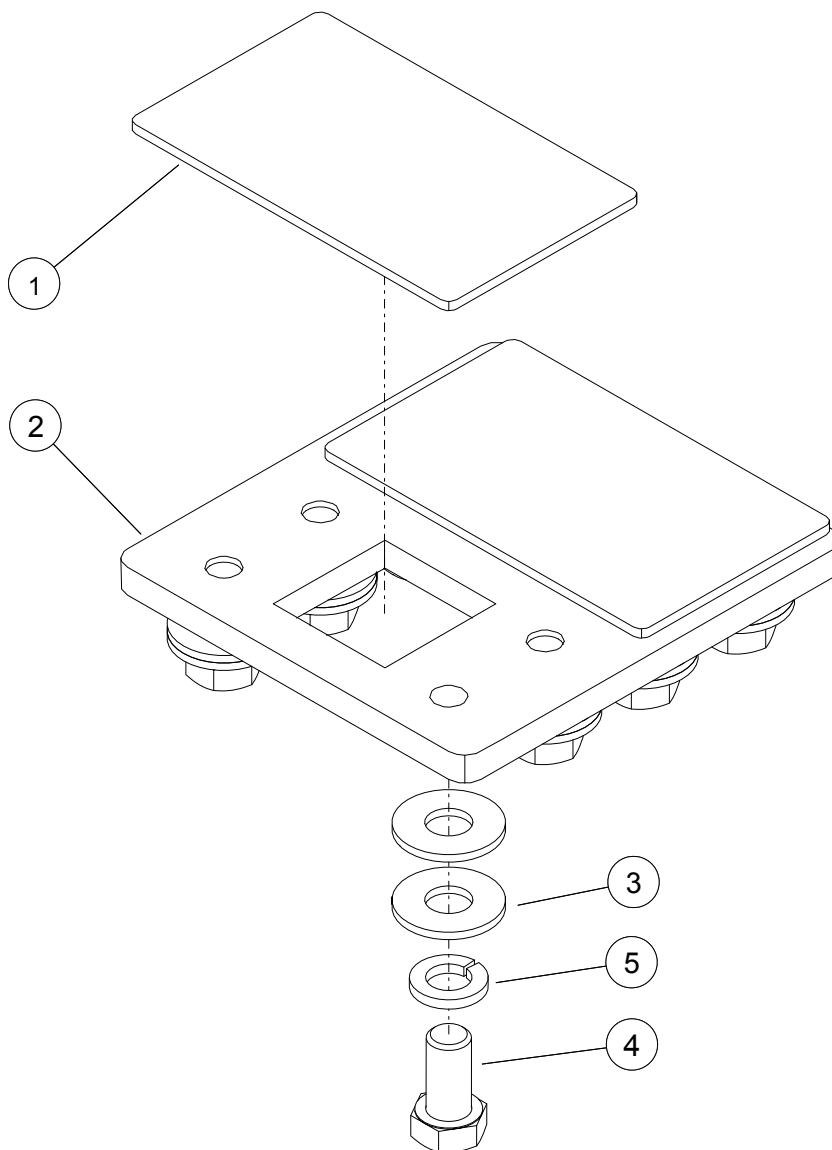
N°	REF.	DESCRIPTION	Qty
1	12189	TAIL LIGHT, RED, LED, HEAD TRAILER	2
2	12252	GROMMET, TAIL LIGHT, HEAD TRAILER	6
3	71048	TAIL LIGHT, AMBER, LED	4
4	71341	COVER, LIGHT, ULTRAPLANT	2
5	71927	COVER PLATE, LED LIGHT HOLE	2
6	90478	PIGTAIL ASSY, LED LIGHTS	6
7	90628	ARM ASSY, LIGHT MOUNT, LEFT, ULTRAPLANT	1
8	90630	ARM ASSY, LIGHT MOUNT, RIGHT ULTRAPLANT	1
9	40013	BOLT, 1/4-20UNC X 1/2" HEX FLANGE, GRD 5, ZINC	12
10	40101	SCREW, SELF TAPPING, #8 X 1/2"	8



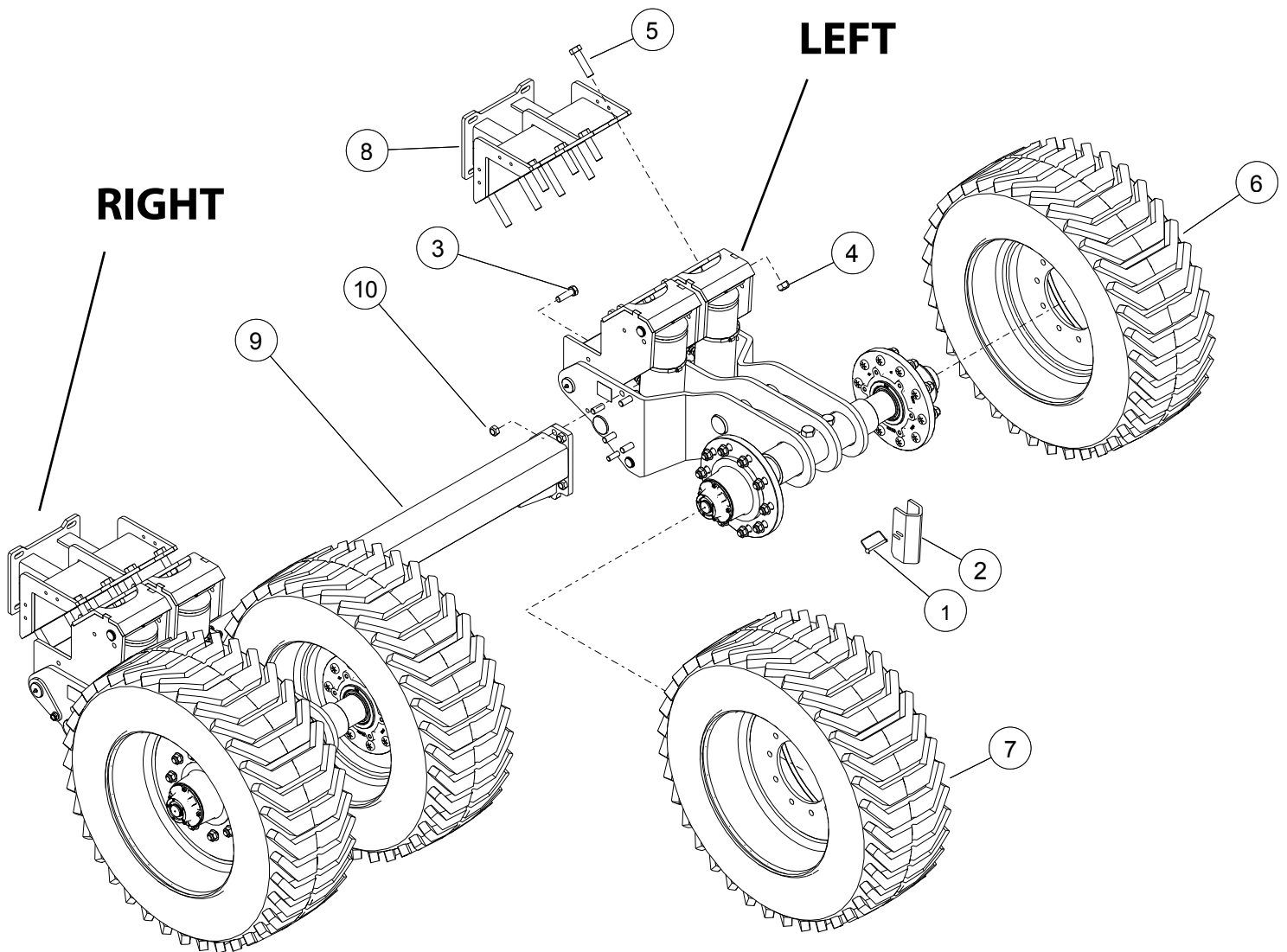
N°	REF.	DESCRIPTION	Qty
1	71084	PAD, INNER TONGUE GUIDE, UPPER	2
2	71690	PLATE, STOP BLOCK WEARPAD RETAIN	1
3	40066	WASHER, FLAT, 1/2", ZINC	16
4	40002	BOLT, 1/2-13UNC X 1" HEX, GRD 5, ZINC	8
5	40072	WASHER, LOCK, 1/2", SPLIT, ZINC	8



Nº	REF.	DESCRIPTION	Qty
1	PX-641756	CHAPA UNION PROLONGA CHASIS HARVEST (71714)	1
2	PX-641755	CALZO CILINDROS CHASIS HARVEST (71372)	1
3	40013	BOLT, 1/4-20UNC X 1/2" HEX FLANGE, GRD 5, ZINC	4
4	40043	BOLT, 5/8-11UNC X 3" HEX, GR5, ZINC	4
5	40064	WASHER, LOCK, 5/8" SPLIT, ZINC	4
6	PS-411718	PROLONGA CHASIS HARVEST L=300mm	1

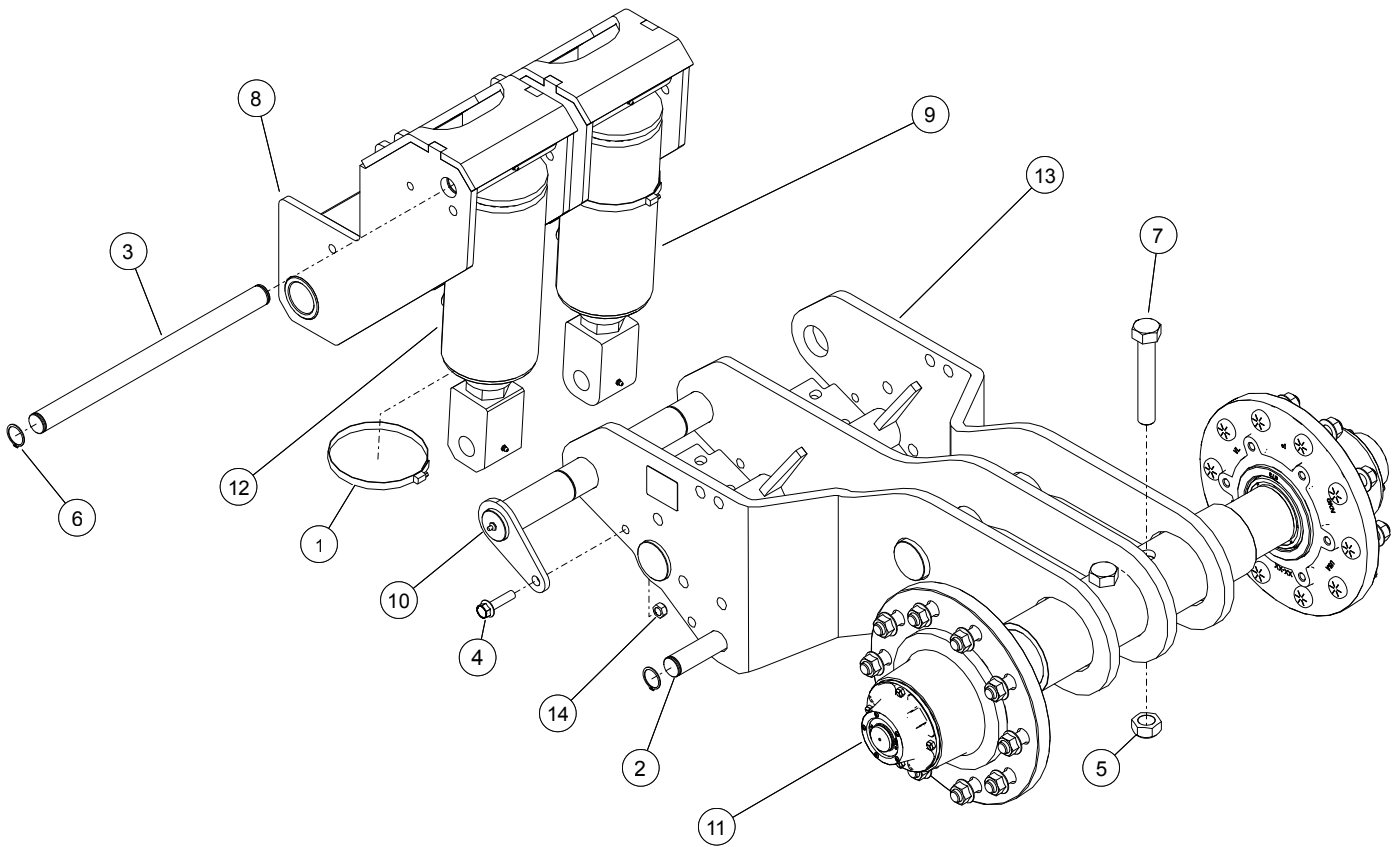


N°	REF.	DESCRIPTION	Qty
1	CO-111764	PATIN TUBO TELESCOPICO LANZA(71085)	2
2	71690	PLATE, STOP BLOCK WEARPAD RETAIN	1
3	40066	WASHER, FLAT, 1/2", ZINC	16
4	40002	BOLT, 1/2-13UNC X 1" HEX, GRD 5 , ZINC	8
5	40072	WASHER, LOCK, 1/2", SPLIT, ZINC	8



Nº	REF.	DESCRIPTION	Qty
1	70616	PIN,CLEVIS W/KEEPER 5/16" X 3" USABLE	4
2	71372	STOP, SERVICE, WELDED CYLINDERS, W/ADJUST ROD ENDS	4
3	40020	BOLT, 3/4-10UNC X 2-1/2" HEX, GRD 5, ZINC	12
4	40236	NUT, 7/8-14UNF, HEX, TOPLOCK, ZINC	16
5	FE-614160	TORNILLO HEXAGONAL 7/8-14 UNF X 3-1/2" ZN (HARVEST 40237)	16
6	CO-111747	RUEDA IZQ LEVANTAMIENTO CENTRAL HARVEST(90653)	2
7	CO-111746	RUEDA DER LEVANTAMIENTO CENTRAL HARVEST(90654)	2
8	91231	CLAMP ASSY, MUCKMASTER ROW UNIT MOUNT	2
9	CO-111786	CONJUNTO TUBO UNION RUEDAS CARRO (HARVEST 91310)	1
10	40055	NUT, 3/4-10UNC, HEX, TOPLOCK, ZINC	12

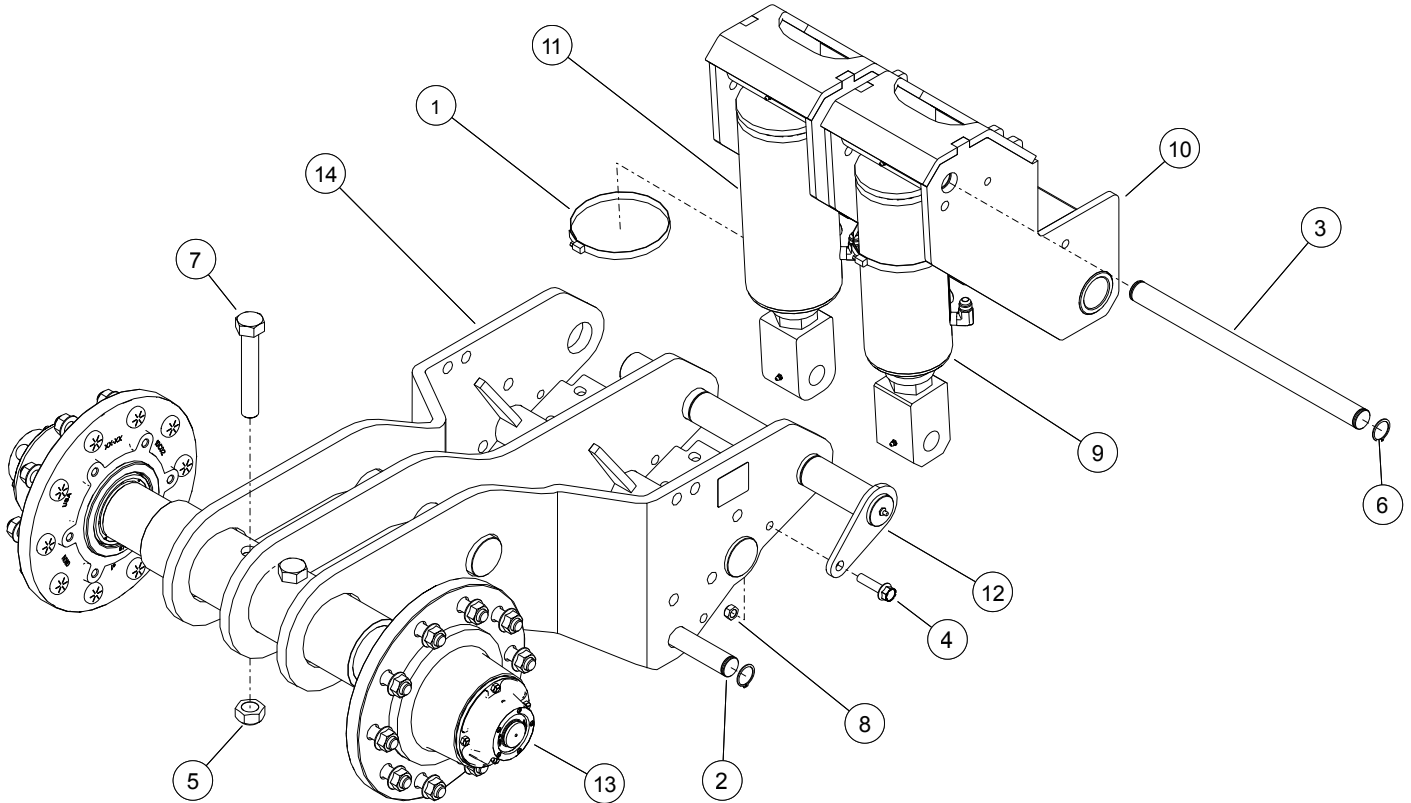
# RIGHT



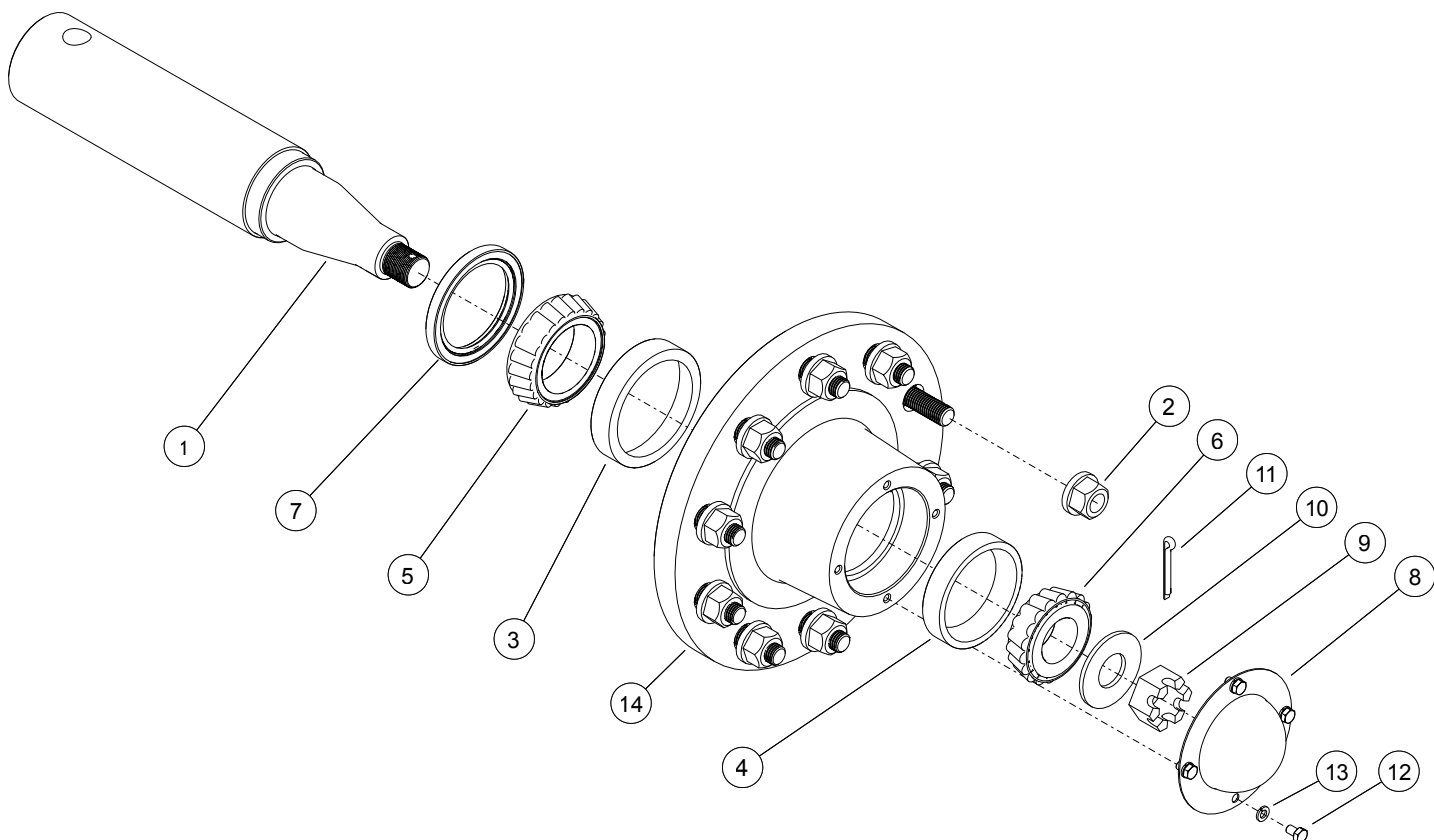
N°	REF.	DESCRIPTION	Qty
1	71188	CLAMP, HOSE, 6"	2
2	CO-111796	BULON CILINDRO INFERIOR MNT MUCKMASTER HARVEST (72304)	1
3	CO-211705	BULON SUPERIOR CILINDRO 1-1/4" HARVEST (72305)	1
4	40127	BOLT, 1/2-13UNC X 2" HEX FLANGE, GRD 5, ZINC	1
5	40052	NUT, 1-8UNC, HEX, TOPLOCK, ZINC	2
6	FE-614162	SAEGER BULON CILINDRO RUEDAS ALAS (HARVEST 40232)	4
7	40309	BOLT, 1-8UNC X 6, GRD 8, ZINC	2
8	90585	WHEEL MNT, STD CLEARNACE, WELDED CYLINDERS	2
9	CO-111756	CILINDRO RUEDAS LEVANT 5X8" NO-COMPENSADO (90588C)	1
10	CO-241719	BULON INTERMEDIO SOPORTE CILINDRO CHASIS CENTRAL (90613)	1
11	CO-111748	IBUJE COMPLETO RUEDAS CENTRAL HARVEST(90642)	2
12	CO-111755	CILINDRO RUEDAS LEVANT 5X8" COMPENSADO (90661C)	1
13	91308	MUCKMASTER DUAL WHEEL UNIT, 30" SPACE	1
14	40048	NUT, 1/2-13UNC, HEX, TOPLOCK, ZINC	1



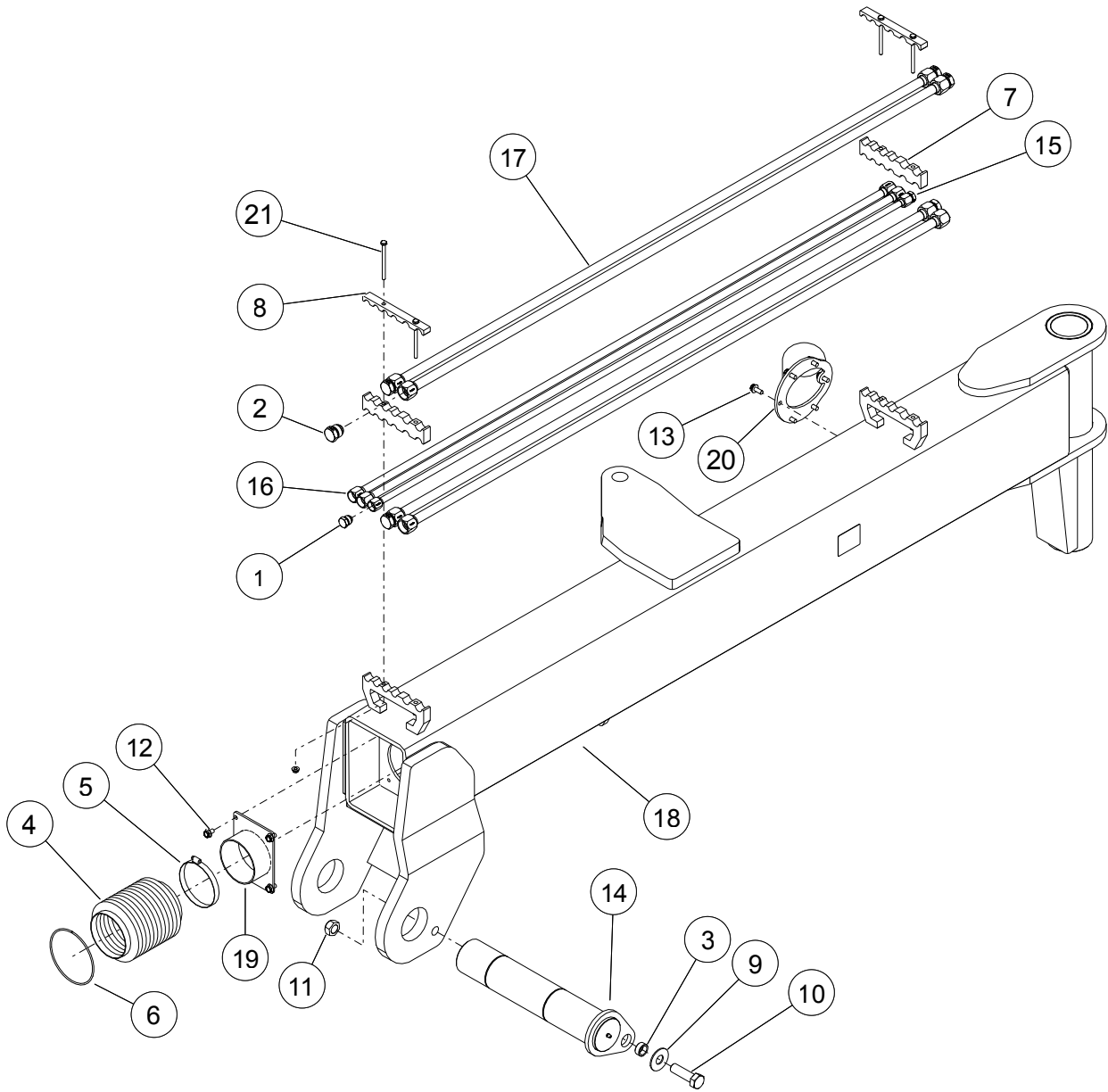
# LEFT



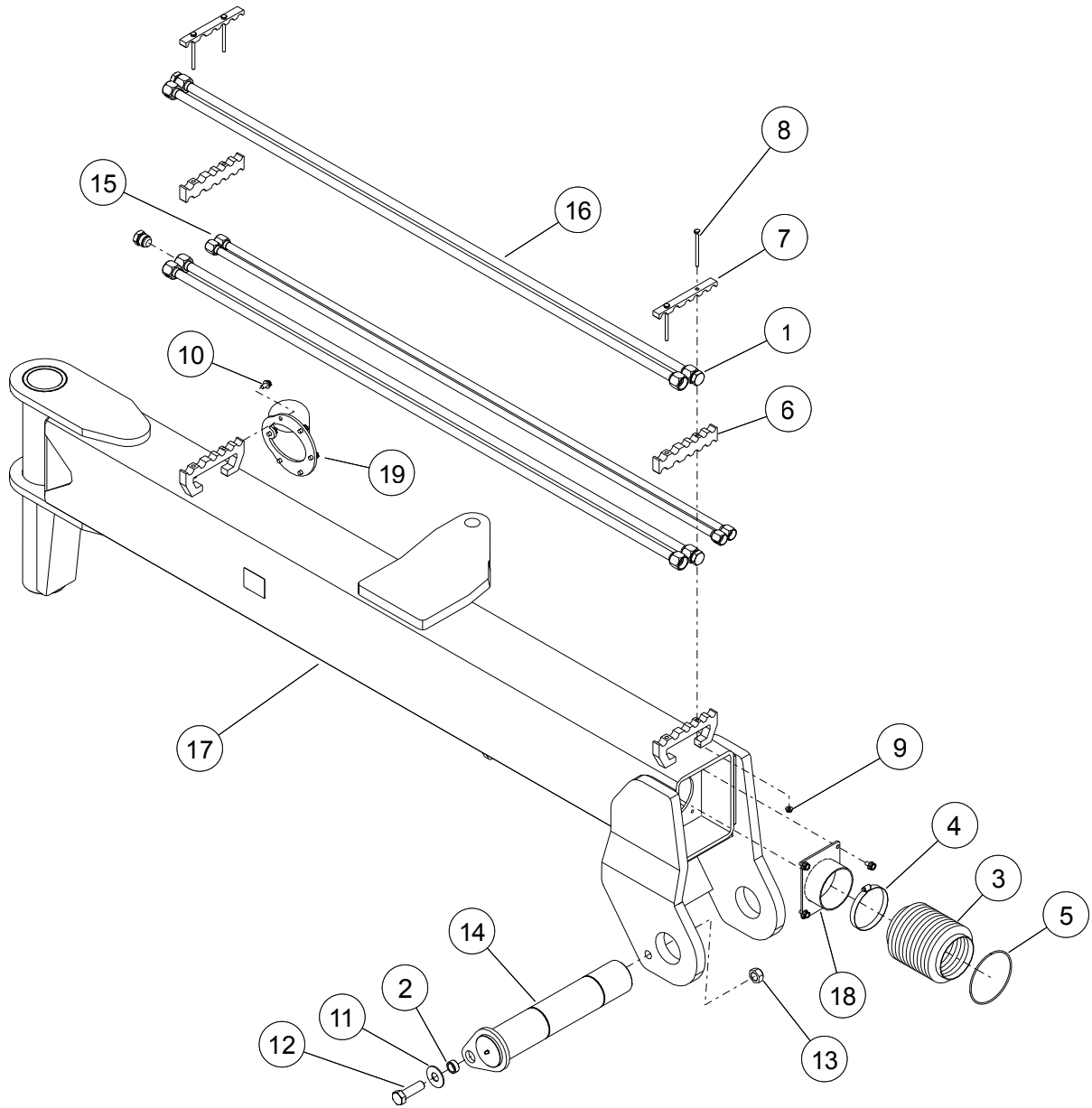
N°	REF.	DESCRIPTION	Qty
1	71188	CLAMP, HOSE, 6"	2
2	CO-111796	BULON CILINDRO INFERIOR MNT MUCKMASTER HARVEST (72304)	1
3	CO-211705	BULON SUPERIOR CILINDRO 1-1/4" HARVEST (72305)	1
4	40127	BOLT, 1/2-13UNC X 2" HEX FLANGE, GRD 5, ZINC	1
5	40052	NUT, 1-8UNC, HEX, TOPLOCK, ZINC	2
6	FE-614162	SAEGER BULON CILINDRO RUEDAS ALAS (HARVEST 40232)	4
7	40309	BOLT, 1-8UNC X 6, GRD 8, ZINC	2
8	40048	NUT, 1/2-13UNC, HEX, TOPLOCK, ZINC	1
9	CO-111757	CILINDRO RUEDAS LEVANT 4-1/2X8" NO-COMPEN (90473C)	1
10	90585	WHEEL MNT, STD CLEARNACE, WELDED CYLINDERS	2
11	CO-111756	CILINDRO RUEDAS LEVANT 5X8" NO-COMPENSADO (90588C)	1
12	CO-241719	BULON INTERMEDIO SOPORTE CILINDRO CHASIS CENTRAL (90613)	1
13	CO-111748	BUJE COMPLETO RUEDAS CENTRAL HARVEST(90642)	2
14	91308	MUCKMASTER DUAL WHEEL UNIT, 30" SPACE	1



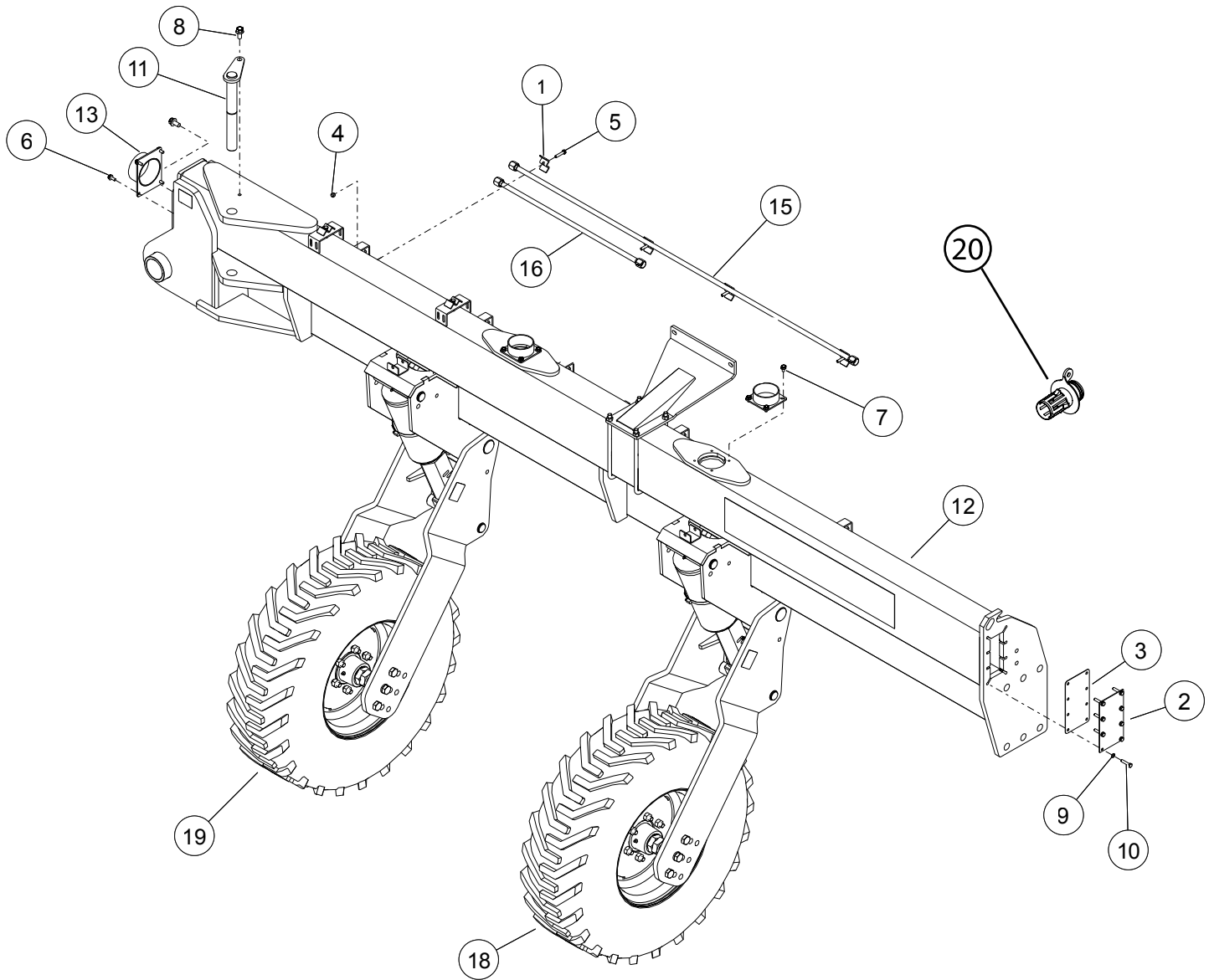
N°	REF.	DESCRIPTION	Qty
1	90642A-02	SPINDLE, 15K, FOR TRP HUB	1
2	90642A-08	NUT, WHEEL, 3/4-16UNF FLANGED	10
3	CO-111799	PISTA RODAMIENTO CONICO INTERIOR (90642A-03)	1
4	CO-211700	PISTA RODAMIENTO CONICO EXTERIOR (90642A-04)	1
5	CO-111797	RODAMIENTO CONICO INTERIOR (90642A-05)	1
6	CO-111798	RODAMIENTO CONICO EXTERIOR (90642A-06)	1
7	CO-211701	RETEN SIMPLE LABIO (90642A-07)	1
8	90642A-09	DUST CAP	1
9	90642A-11	NUT, 1-1/4-12UNF, HEX SLOTTED, GRD 5, PLAIN	1
10	90642A-12	WASHER, BEARING RETAIN	1
11	90642A-13	COTTER PIN, 1/4" X 2", PLAIN	1
12	40092	BOLT, 5/16-18UNC X 1/2", HEX, GRD 5, ZINC	4
13	40074	WASHER, LOCK, 5/16" SPLIT, ZINC	4
14	90642A-100	HUB, W/OUTER RACES (CUPS) & STUD BOLTS	1



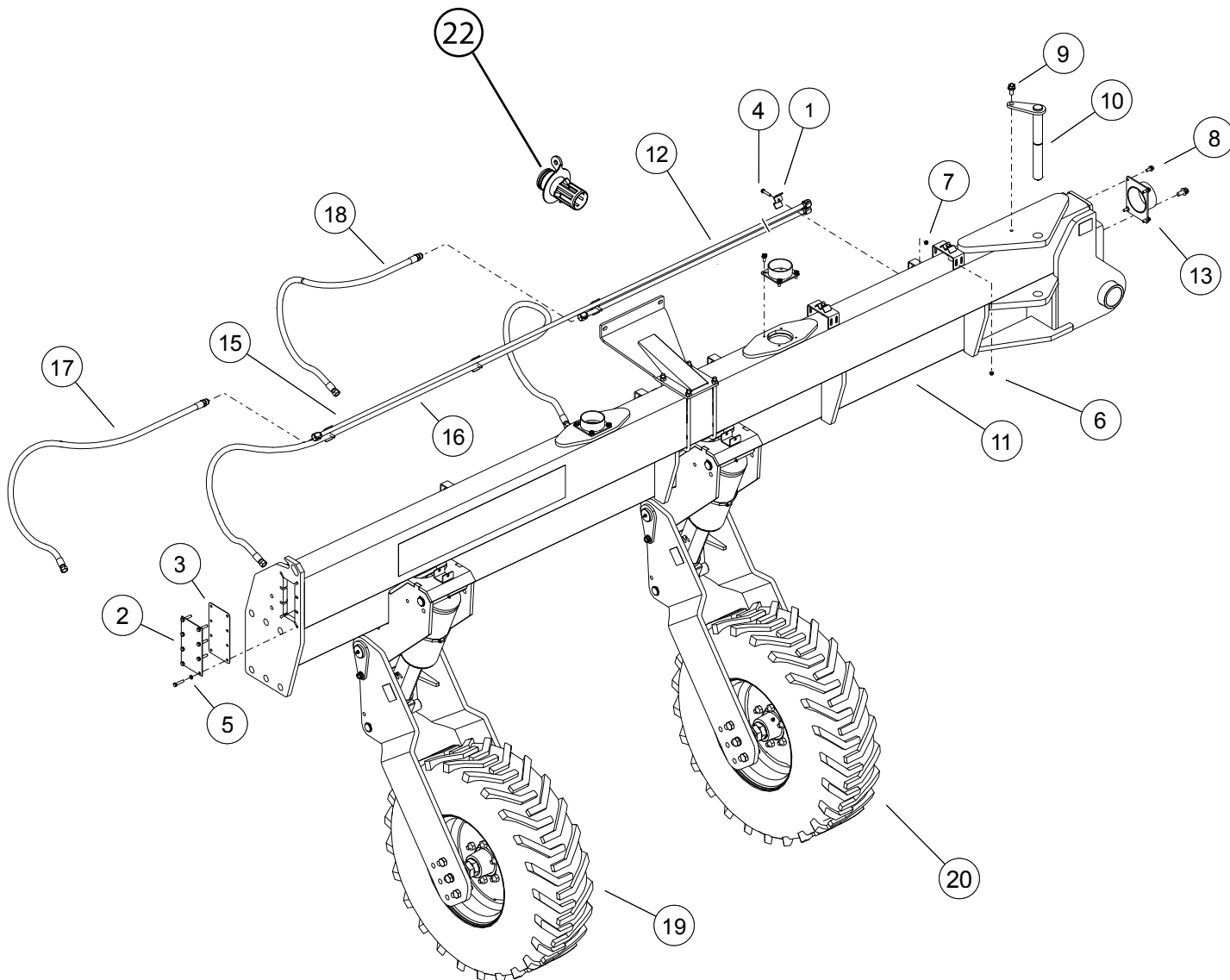
N°	REF.	DESCRIPTION	Qty
1	2408-08	PLUG, #8 JIC	2
2	2408-12	PLUG, #12 JIC MALE	6
3	70997	SPACER, WING HINGE PIN	1
4	CO-111766	FUELLE 4" GOMA UNION CENTRAL-LATERAL(71344A)	1
5	71354	CLAMP, HOSE, 4-5 INCH	1
6	71368	RING, WIRE, 4" BELLOW RE-INFORCE	6
7	71847	SPACER, STEEL HY LINE, WING HINGE, FOR PRECISION FAN & DELTA FORS	2
8	71848	CAP, STEEL HY LINE, WING HINGE, STRIPTILL BARS	2
9	40068	WASHER, FLAT, 3/4", ZINC	1
10	40020	BOLT, 3/4-10UNC X 2-1/2" HEX, GRD 5, ZINC	1
11	40055	NUT, 3/4-10UNC, HEX, TOPLOCK, ZINC	1
12	FE-614161	TORNILLO HEXAGONAL 5/16-18 UNC X 1/2" ZN (HARVEST 4003	4
13	40038	BOLT, 5/16-18UNC X 3/4" HEX FLANGE, GRD 5, ZINC	6
14	90023C	PIN, WING HINGE	1
15	90231	TUBE ASSY, HYD, WING HINGE, 1/2"	1
16	90368	HYD LINE ASSY, WING HINGE, 5/8" 40,45,60,66FT	2
17	90415	HYD LINE, STEEL, 3/4" WING HINGE	4
18	90454C	WING HINGE, RIGHT	1
19	90634	STUB TUBE ASSY, 4" WING HINGE/WING	1
20	CO-071722	JUNTA-TUBO UNION TUBO 3,5" TOBERA (HARVEST 90635)	1
21	40327	BOLT, 1/4-20UNC X 3-1/2", GRD 5, HEX, ZINC	4



N°	REF.	DESCRIPTION	Qty
1	2408-12	PLUG, #12 JIC MALE	4
2	70997	SPACER, WING HINGE PIN	1
3	CO-111756	CILINDRO RUEDAS LEVANT 5X8" NO-COMPENSADO (90588C)	1
4	71354	CLAMP, HOSE, 4-5 INCH	1
5	71368	RING, WIRE, 4" BELLOW RE-INFORCE	6
6	71847	SPACER, STEEL HY LINE, WING HINGE, FOR PRECISION FAN & DELTA FORS	2
7	71848	CAP, STEEL HY LINE, WING HINGE, STRIPTILL BARS	2
8	40327	BOLT, 1/4-20UNC X 3-1/2", GRD 5, HEX, ZINC	4
9	40049	NUT, 1/4-20UNC, HEX FLANGE, GRD 5, ZINC	4
10	FE-614161	TORNILLO HEXAGONAL 5/16-18 UNC X 1/2" ZN (HARVEST 4003)	10
11	40068	WASHER, FLAT, 3/4", ZINC	1
12	40020	BOLT, 3/4-10UNC X 2-1/2" HEX, GRD 5, ZINC	1
13	40055	NUT, 3/4-16UNF, HEX, TOPLOCK, ZINC	1
14	90023C	PIN, WING HINGE	1
15	90368	HYD LINE ASSY, WING HINGE, 5/8" 40,45,60,66FT	2
16	90415	HYD LINE, STEEL, 3/4" WING HINGE	4
17	90457C	WING HINGE, LEFT	1
18	90634	STUB TUBE ASSY, 4" WING HINGE/WING	1
19	CO-071722	JUNTA-TUBO UNIÓN TUBO 3,5" TOBERA (HARVEST 90635)	1

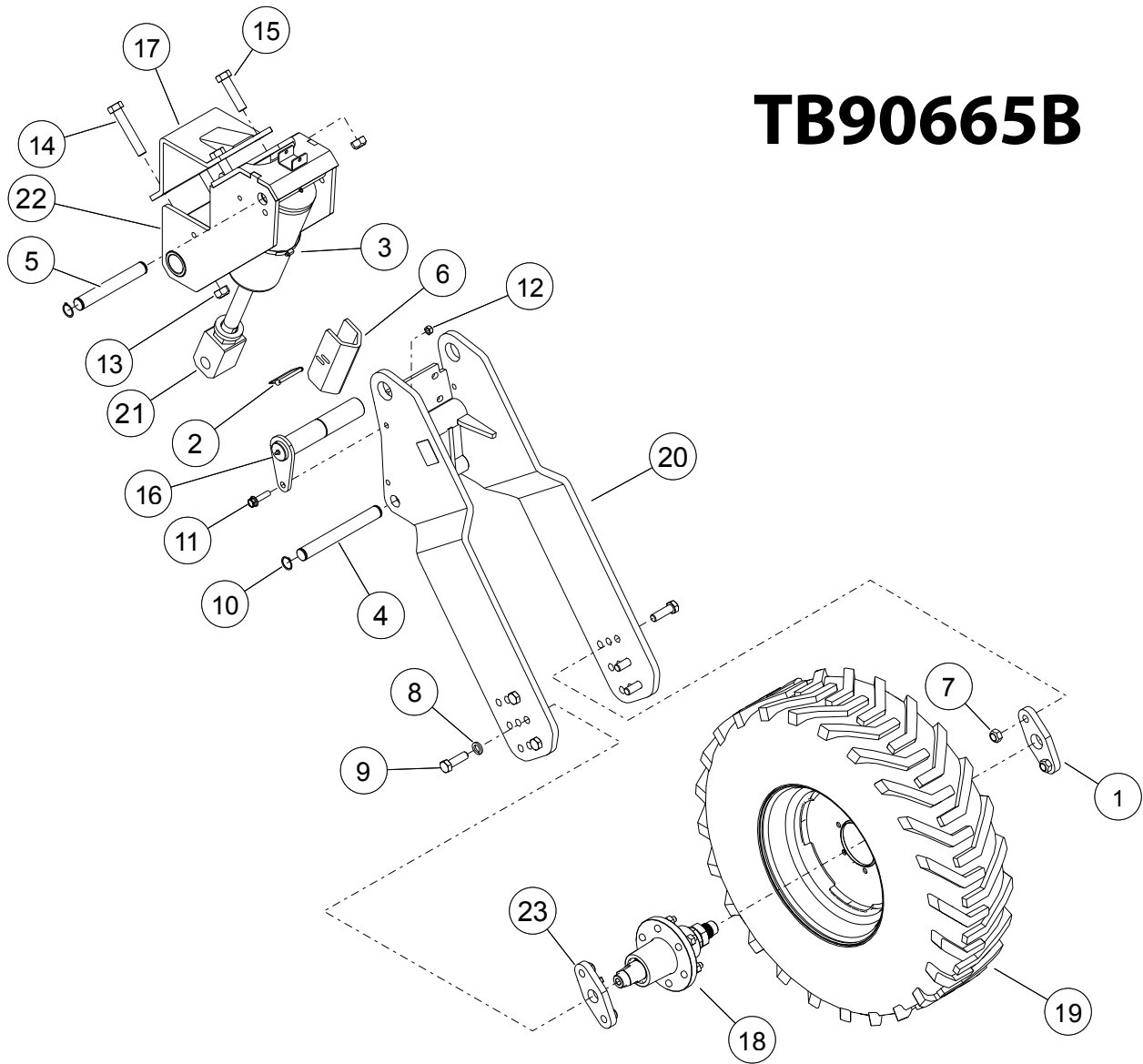


N°	REF.	DESCRIPTION	Qty
1	71373	BRACKET, HOLD DOWN, STEEL HYD LINE	6
2	71454	PLATE, END CAP MOUNT, 5X9 TUBE	1
3	71673	GASKET, WING CLEAN OUT	1
4	40144	NUT, 5-16-18UNC, HEX, NYLOCK, ZINC	6
5	40097	BOLT, 5/16-18UNC X 1-1/2", HEX, GRD 5, ZINC	6
6	40038	BOLT, 5/16-18UNC X 3/4" HEX FLANGE, GRD 5, ZINC	4
7	40035	BOLT, 5/16-18UNC X 1/2", HEX FLANGE, GRD 5, ZINC	8
8	40001	BOLT, 1/2-13UNC X 1" HEX FLANGE, GRD 5, ZINC	6
9	40074	WASHER, LOCK, 5/16" SPLIT, ZINC	8
10	40216	BOLT, 5/16-18UNC X 1-1/2", HEX, GRD 5, ZINC	8
11	90022	PIN, WING/DRAFT TUBE HINGE	1
12	90458C	WING, LEFT, 40FT PLANTER, SN 8694 & NEWER	1
13	90634	STUB TUBE ASSY, 4" WING HINGE/WING	1
14	90817	STUB TUBE ASSY, 3-1/2" STRAIGHT	2
15	91007	STEEL, HYD LINE, 5/8" X 65" LEFT WING, PB4030FR TOP	1
16	91021	STEEL HYD LINE, LEFT WING, PB40FR SERIES BOTTOM	1
17	TB90865	BRACKET ASSY, VAC FAN MNT WING MNT	1
18	TB90665B	WHEEL ASSY, 12.5X16.5, 4.75X8 CYL, LEFT	1
19	TB90666B	WHEEL ASSY, 12.5X16.5, 4.5X8 CYL, LEFT, ADJ ROD CYL	1
20	FE-611063	BOQUILLA SUCCION AIRE TOBERAS ARGO	10



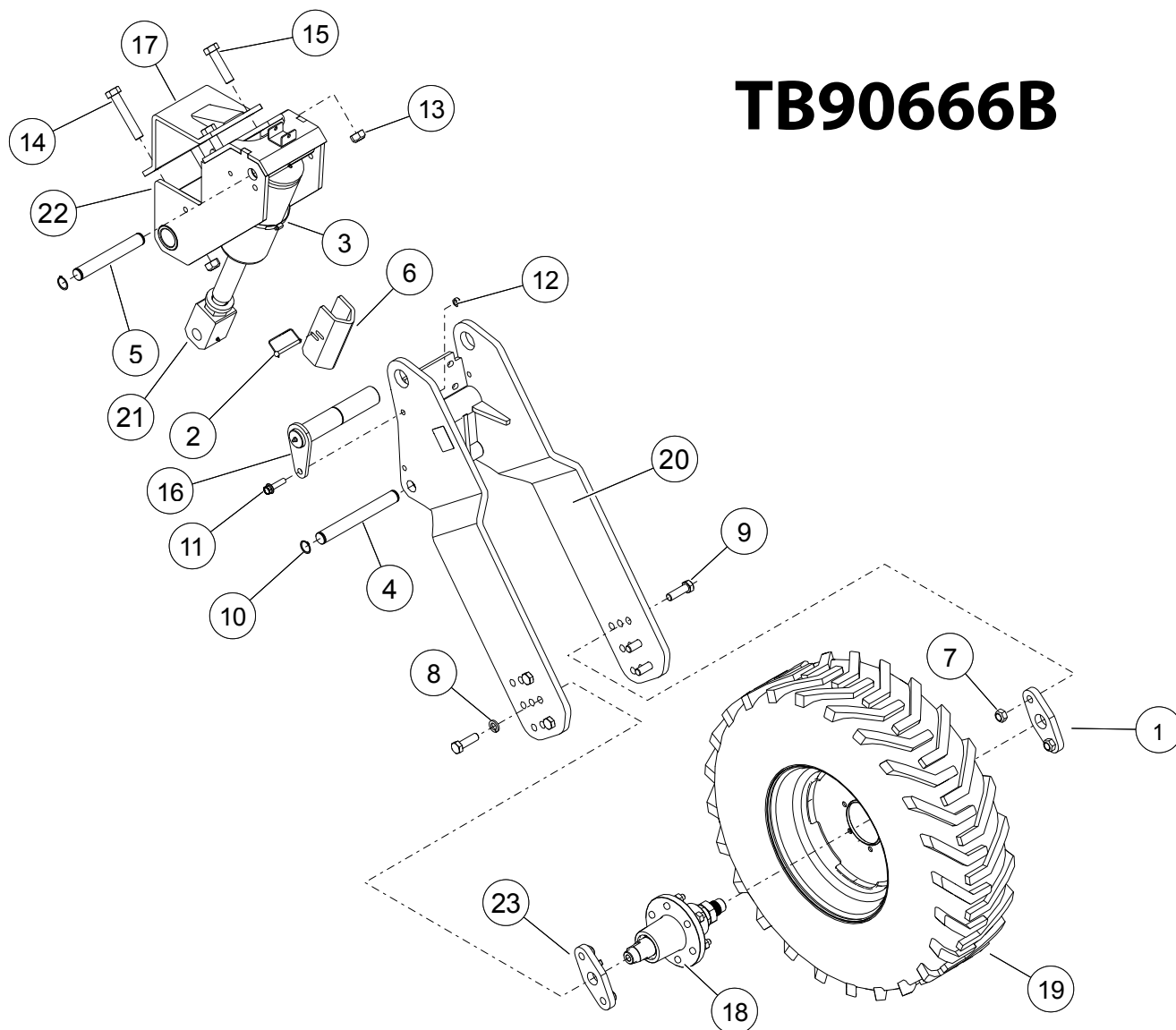
N°	REF.	DESCRIPTION	Qty
1	71373	BRACKET, HOLD DOWN, STEEL HYD LINE	6
2	71454	PLATE, END CAP MOUNT, 5X9 TUBE	1
3	71673	GASKET, WING CLEAN OUT	1
4	40097	BOLT, 5/16-18UNC X 1-1/2", HEX, GRD 5, ZINC	14
5	40069	WASHER, LOCK, 5/16" SPLIT, ZINC	8
6	40144	NUT, 5-16-18UNC, HEX, NYLOCK, ZINC	2
7	40060	NUT, 5/16-18UNC, HEX, TOPLOCK, ZINC	4
8	40038	BOLT, 5/16-18UNC X 3/4" HEX FLANGE, GRD 5, ZINC	12
9	40001	BOLT, 1/2-13UNC X 1" HEX FLANGE, GRD 5, ZINC	6
10	90022	PIN, WING/DRAFT TUBE HINGE	1
11	90459C	WING, RIGHT 40FT PLANTER, VAC TUBE MNT ON WING TOP	1
12	90484A	HYD LINE, WING, 40FT PLANTER	1
13	90634	STUB TUBE ASSY, 4" WING HINGE/WING	1
14	90817	STUB TUBE ASSY, 3-1/2" STRAIGHT	2
15	91008	STEEL, HYD LINE, 5/8" X 95" WING, PB4030FR TOP	1
16	91012	HOSE, HYD, WING CYLINDER ROD TO SLAVE BASE	1
17	91013	HOSE, HYD, WING UPPER STEEL HYD TUBE TO CYLINDER BASE	1
18	91014	HOSE, HYD, WING SLAVE CYL, ROD/LOWER STEEL HYD LINE	1
19	TB90840B	WHEEL UNIT, 12.5X16.5, 5X8 STD RT HAND MNT	1
20	TB90841B	WHEEL UNIT, 12.5X16.5, 4-3/4X8 STD CLEARANCE ADJ ROD CYL.	1
21	TB90865	BRACKET ASSY, VAC FAN MNT WING MNT	1
22	FE-611063	BOQUILLA SUCCION AIRE TOBERAS ARGO	10

# TB90665B



Nº	REF.	DESCRIPTION	Qty
1	70607	SUPPORT, SPINDLE	1
2	CO-241704	PASADOR CALZO CILINDROS CHASIS HARVEST (70616)	1
3	71188	CLAMP, HOSE, 6"	1
4	71256	PIN, CYL MNT	1
5	BU-011714	BULON SUPERIOR CILINDRO RUEDAS ALAS (HARVEST 71269)	1
6	PX-641755	CALZO CILINDROS CHASIS HARVEST (71372)	1
7	40055	NUT, 3/4-10UNC, HEX, TOPLOCK, ZINC	4
8	40073	WASHER, LOCK, 3/4", SPLIT, ZINC	2
9	40020	BOLT, 3/4-10UNC X 2-1/2" HEX, GRD 5, ZINC	6
10	FE-614162	SAEGER BULON CILINDRO RUEDAS ALAS (HARVEST 40232)	4
11	40127	BOLT, 1/2-13UNC X 2" HEX FLANGE, GRD 5, ZINC	1
12	40048	NUT, 1/2-13UNC, HEX, TOPLOCK, ZINC	1
13	40236	NUT, 7/8-14UNF, HEX, TOPLOCK, ZINC	4
14	40186	BOLT, 7/8-14UNF x 5, GRD 8, ZINC	2
15	40237	BOLT, 7/8-14UNF x 3-1/2", HEX, GRD 8, ZINC	2
16	90024	PIN, WHEEL LIFT, HINGE	1
17	PS-341702	BRIDA REFORZADA TUBO 177 HARVEST (90355)	1
18	CO-111745	BUJE COMPL. RUEDAS ALAS LATERALES HARVEST 6 AGUJEROS (90448A)	1
19	CO-111744	RUEDA COMPL. IZQ 6 AGUJ. LEVANT. ALAS HARVEST 12,5X16.5 (90449S)	1
20	90452B	WHEEL UNIT, 12.5X16.5, SINGLE	1
21	CO-111758	CILINDRO RUEDAS LEVANT 4-3/4" COMPENSADO (90474C)	1
22	90585	WHEEL MNT, STD CLEARNACE, WELDED CYLINDERS	1
23	90677	SUPPORT, SPINDLE WITH ROTAT STOP, STRADDLE HUB	1

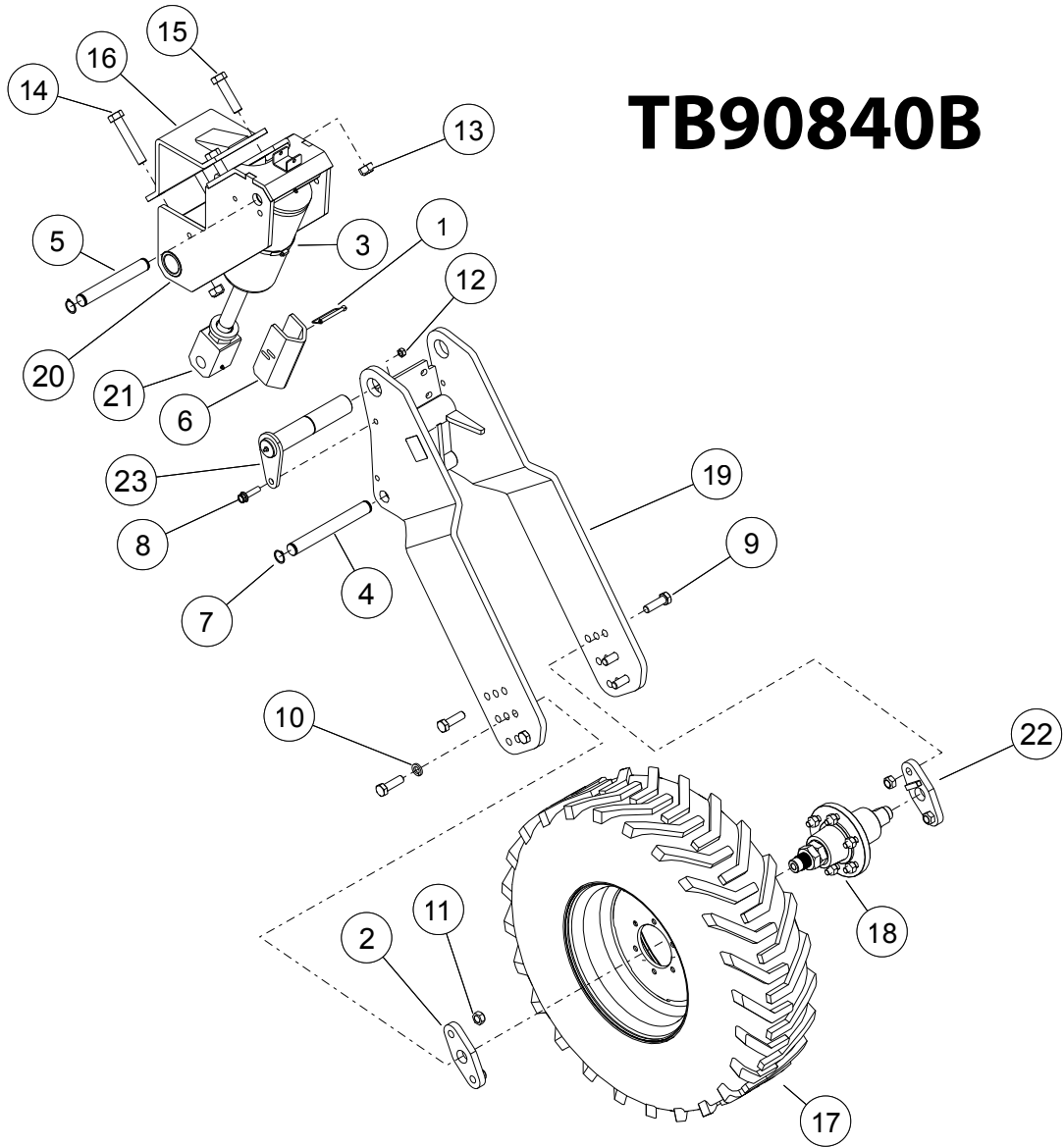
# TB90666B



N°	REF.	DESCRIPTION	Qty
1	70607	SUPPORT, SPINDLE	1
2	CO-241704	PASADOR CALZO CILINDROS CHASIS HARVEST (70616)	1
3	71188	CLAMP, HOSE, 6"	1
4	71256	PIN, CYL MNT	1
5	BU-011714	BULON SUPERIOR CILINDRO RUEDAS ALAS (HARVEST 71269)	1
6	PX-641755	CALZO CILINDROS CHASIS HARVEST (71372)	1
7	40055	NUT, 3/4-10UNC, HEX, TOPLOCK, ZINC	4
8	40073	WASHER, LOCK, 3/4", SPLIT, ZINC	2
9	40020	BOLT, 3/4-10UNC X 2-1/2" HEX, GRD 5, ZINC	6
10	FE-614162	SAEGER BULON CILINDRO RUEDAS ALAS (HARVEST 40232)	4
11	40127	BOLT, 1/2-13UNC X 2" HEX FLANGE, GRD 5, ZINC	1
12	40048	NUT, 1/2-13UNC, HEX, TOPLOCK, ZINC	1
13	40236	NUT, 7/8-14UNF, HEX, TOPLOCK, ZINC	4
14	40186	BOLT, 7/8-14UNF x 5, GRD 8, ZINC	2
15	40237	BOLT, 7/8-14UNF x 3-1/2", HEX, GRD 8, ZINC	2
16	90024	PIN, WHEEL LIFT, HINGE	1
17	PS-341702	BRIDA REFORZADA TUBO 177 HARVEST (90355)	1
18	CO-111745	BUJE COMPLETO RUEDAS ALAS LATERALES HARVEST 6 AGUJEROS (90448A)	1
19	CO-111743	RUEDA COMPLETA DER 6 AGUJ. LEVANT. ALAS HARVEST 12,5X16.5 (90447S)	1
20	90452B	WHEEL UNIT, 12.5X16.5, SINGLE	1
21	CO-111757	CILINDRO RUEDAS LEVANT 4-1/2X8" NO-COMPEN (90473C)	1
22	90585	WHEEL MNT, STD CLEARNACE, WELDED CYLINDERS	1
23	90677	SUPPORT, SPINDLE WITH ROTAT STOP, STRADDLE HUB	1

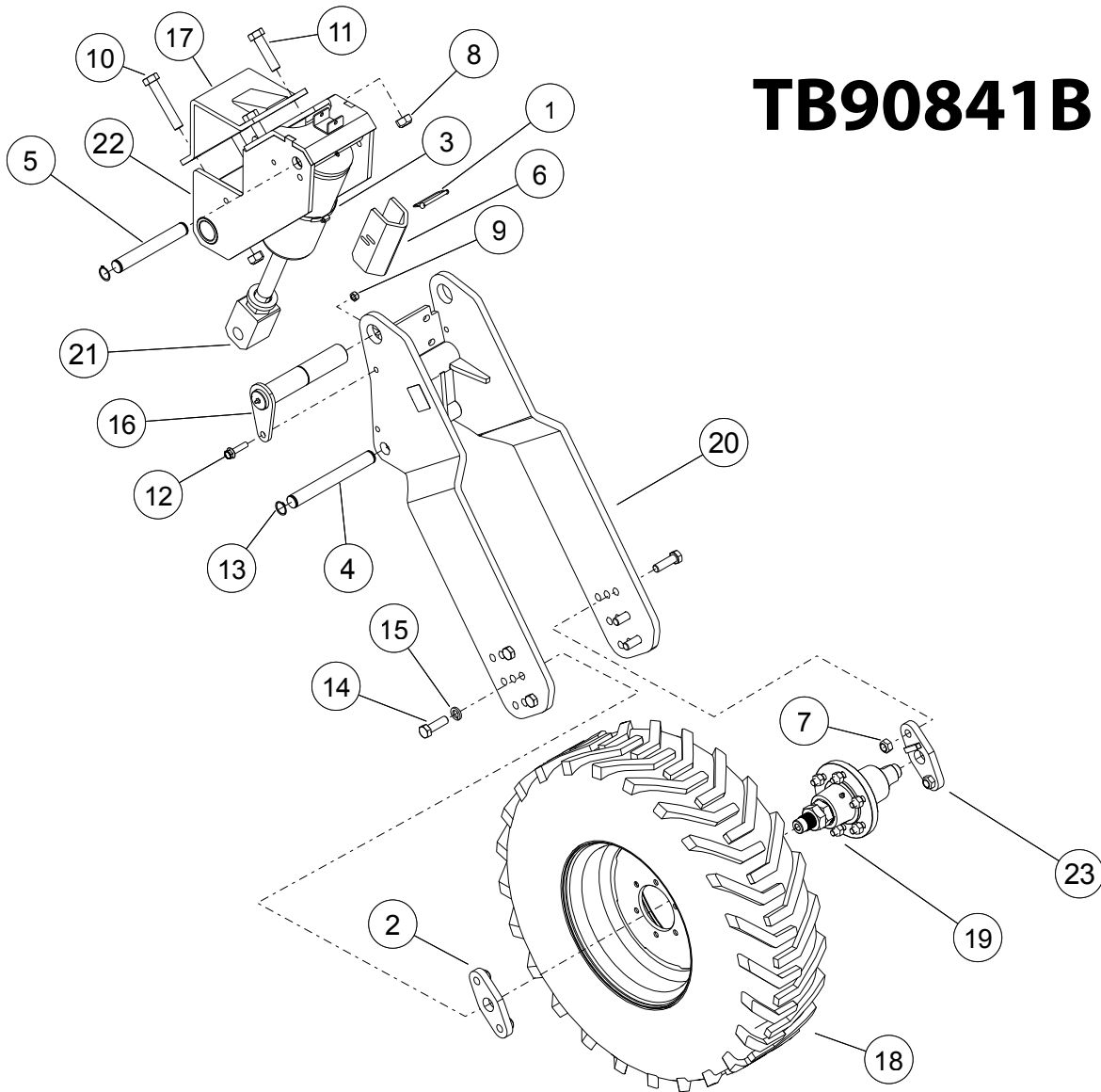


# TB90840B

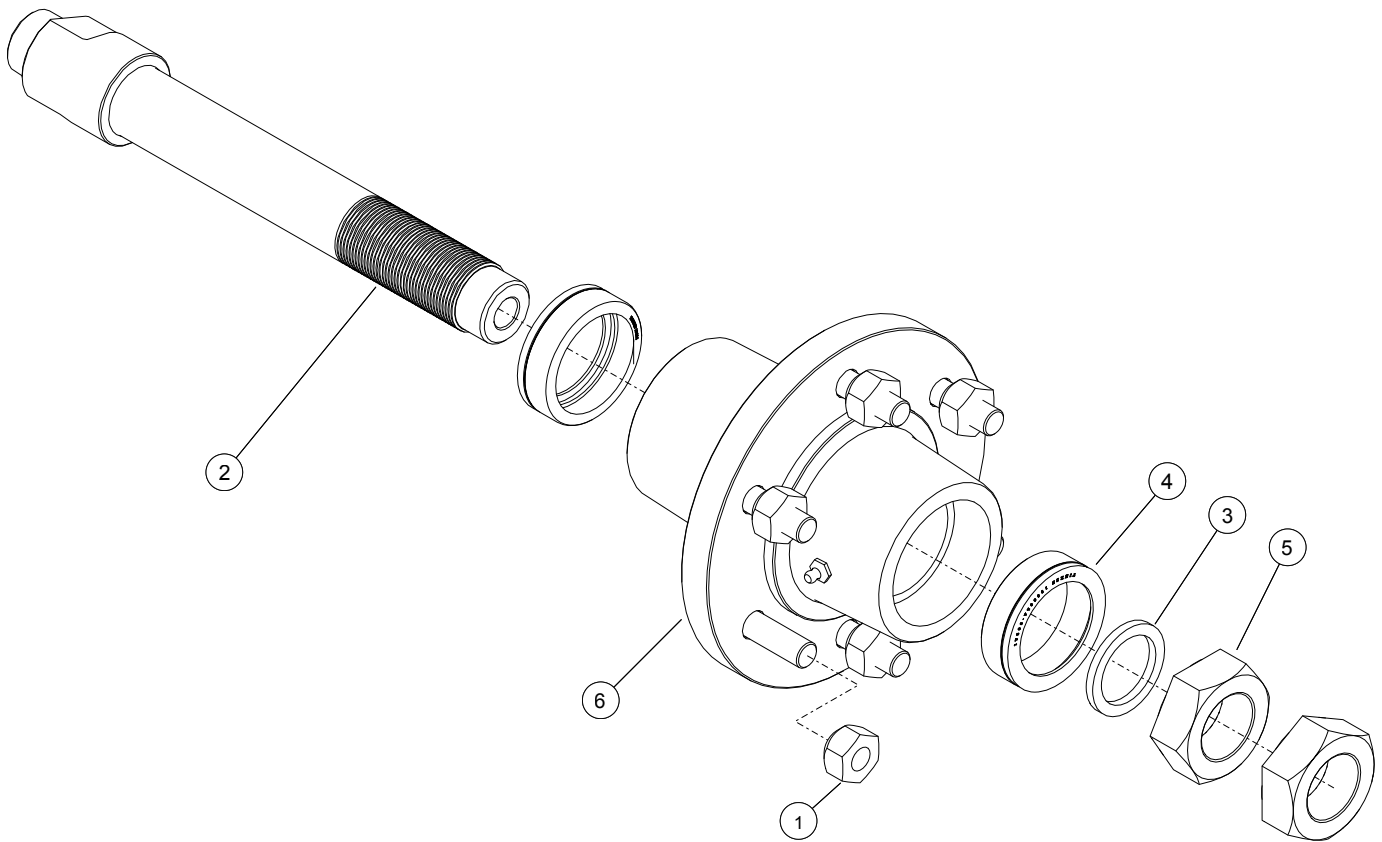


Nº	REF.	DESCRIPTION	Qty
1	CO-241704	PASADOR CALZO CILINDROS CHASIS HARVEST (70616)	1
2	71075	SUPPORT, SPINDLE, STRADDLE HUB, BOLT IN	1
3	71188	CLAMP, HOSE, 6"	1
4	71256	PIN, CYL MNT	1
5	BU-011714	BULON SUPERIOR CILINDRO RUEDAS ALAS (HARVEST 71269)	1
6	PX-641755	CALZO CILINDROS CHASIS HARVEST (71372)	1
7	FE-614162	SAEGER BULON CILINDRO RUEDAS ALAS (HARVEST 40232)	4
8	40127	BOLT, 1/2-13UNC X 2" HEX FLANGE, GRD 5, ZINC	1
9	40020	BOLT, 3/4-10UNC X 2-1/2" HEX, GRD 5, ZINC	6
10	40073	WASHER, LOCK, 3/4", SPLIT, ZINC	2
11	40055	NUT, 3/4-10UNC, HEX, TOPLOCK, ZINC	4
12	40048	NUT, 1/2-13UNC, HEX, TOPLOCK, ZINC	1
13	40236	NUT, 7/8-14UNF, HEX, TOPLOCK, ZINC	4
14	40186	BOLT, 7/8-14UNF X 5, GRD 8, ZINC	2
15	40237	BOLT, 7/8-14UNF x 3-1/2", HEX, GRD 8, ZINC	2
16	PS-341702	BRIDA REFORZADA TUBO 177 HARVEST (90355)	1
17	CO-111743	RUEDA COMPLETA DER 6 AGUJ. LEVANT. ALAS HARVEST 12,5X16.5 (90447S)	1
18	CO-111745	BUJE COMPLETO RUEDAS ALAS LATERALES HARVEST 6 AGUJEROS (90448A)	1
19	90452B	WHEEL UNIT, 12.5X16.5, SINGLE, FOR ADJ ROD CYLINDERS	1
20	90585	WHEEL MNT, STD CLEARNACE, WELDED CYLINDERS	1
21	CO-111755	CILINDRO RUEDAS LEVANT 5X8" COMPENSADO (90661C)	1
22	90677	SUPPORT, SPINDLE WITH ROTAT STOP, STRADDLE HUB	1
23	90024	PIN, WHEEL LIFT, HINGE	1

# TB90841B

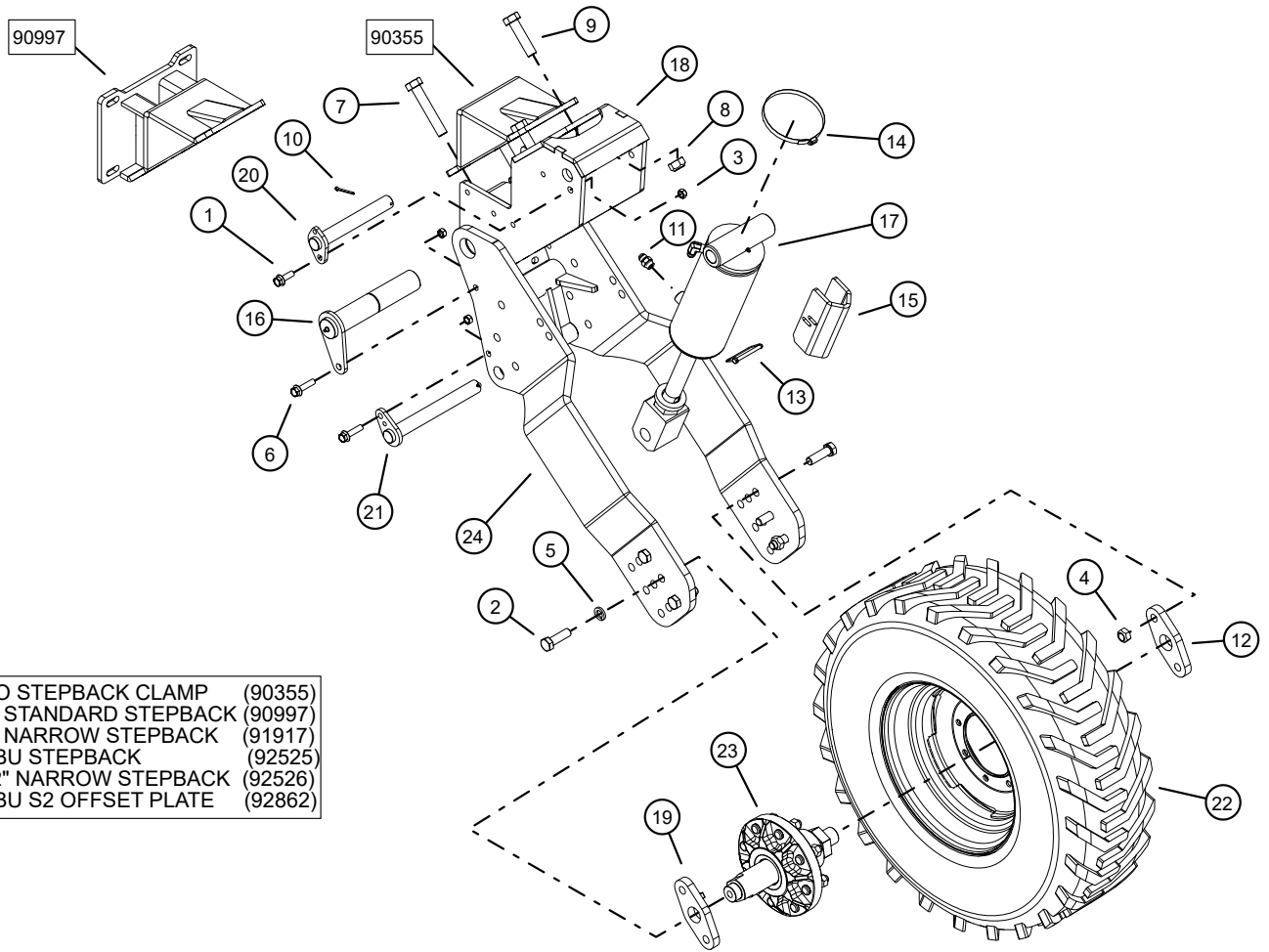


N°	REF.	DESCRIPTION	Qty
1	CO-241704	PASADOR CALZO CILINDROS CHASIS HARVEST (70616)	1
2	71075	SUPPORT, SPINDLE, STRADDLE HUB, BOLT IN	1
3	71188	CLAMP, HOSE, 6"	1
4	71256	PIN, CYL MNT	1
5	BU-011714	BULON SUPERIOR CILINDRO RUEDAS ALAS (HARVEST 71269)	1
6	PX-641755	CALZO CILINDROS CHASIS HARVEST (71372)	1
7	40055	NUT, 3/4-10UNC, HEX, TOPLOCK, ZINC	4
8	40236	NUT, 7/8-14UNF, HEX, TOPLOCK, ZINC	4
9	40048	NUT, 1/2-13UNC, HEX, TOPLOCK, ZINC	1
10	40186	BOLT, 7/8-14UNF x 5, GRD 8, ZINC	2
11	40237	BOLT, 7/8-14UNF x 3-1/2", HEX, GRD 8, ZINC	2
12	40127	BOLT, 1/2-13UNC X 2" HEX FLANGE, GRD 5, ZINC	1
13	FE-614162	SAEGER BULON CILINDRO RUEDAS ALAS (HARVEST 40232)	4
14	40020	BOLT, 3/4-10UNC X 2-1/2" HEX, GRD 5, ZINC	6
15	40073	WASHER, LOCK, 3/4", SPLIT, ZINC	2
16	90024	PIN, WHEEL LIFT, HINGE	1
17	PS-341702	BRIDA REFORZADA TUBO 177 HARVEST (90355)	1
18	CO-111743	RUEDA COMPLETA DER 6 AGUJ. LEVANT. ALAS HARVEST 12,5X16.5 (90447S)	1
19	CO-111745	BUJE COMPLETO RUEDAS ALAS LATERALES HARVEST 6 AGUJEROS (90448A)	1
20	90452B	WHEEL UNIT, 12.5X16.5, SINGLE, FOR ADJ ROD CYLINDERS	1
21	CO-111758	CILINDRO RUEDAS LEVANT 4-3/4" COMPENSADO (90474C)	1
22	90585	WHEEL MNT, STD CLEARNACE, WELDED CYLINDERS	1
23	90677	SUPPORT, SPINDLE WITH ROTAT STOP, STRADDLE HUB	1



N°	REF.	DESCRIPTION	Qty
1	40177	NUT, LUG, 9/16-18UNF, ZINC	6
2	71060	SPINDLE, STRADDLE HUB	1
3	71061	WASHER, SPACER, 1-1/2" ID X 2" OD	1
4	CO-211702	RODAMIENTO CONICO CON JUNTA INCORPORADA	2
5	40252	NUT, 1-1/2-12UNF, HEX, JAM, ZINC	2
6	90115A	HUB ASSY WITH OUTER RACE	1

# TB90665B



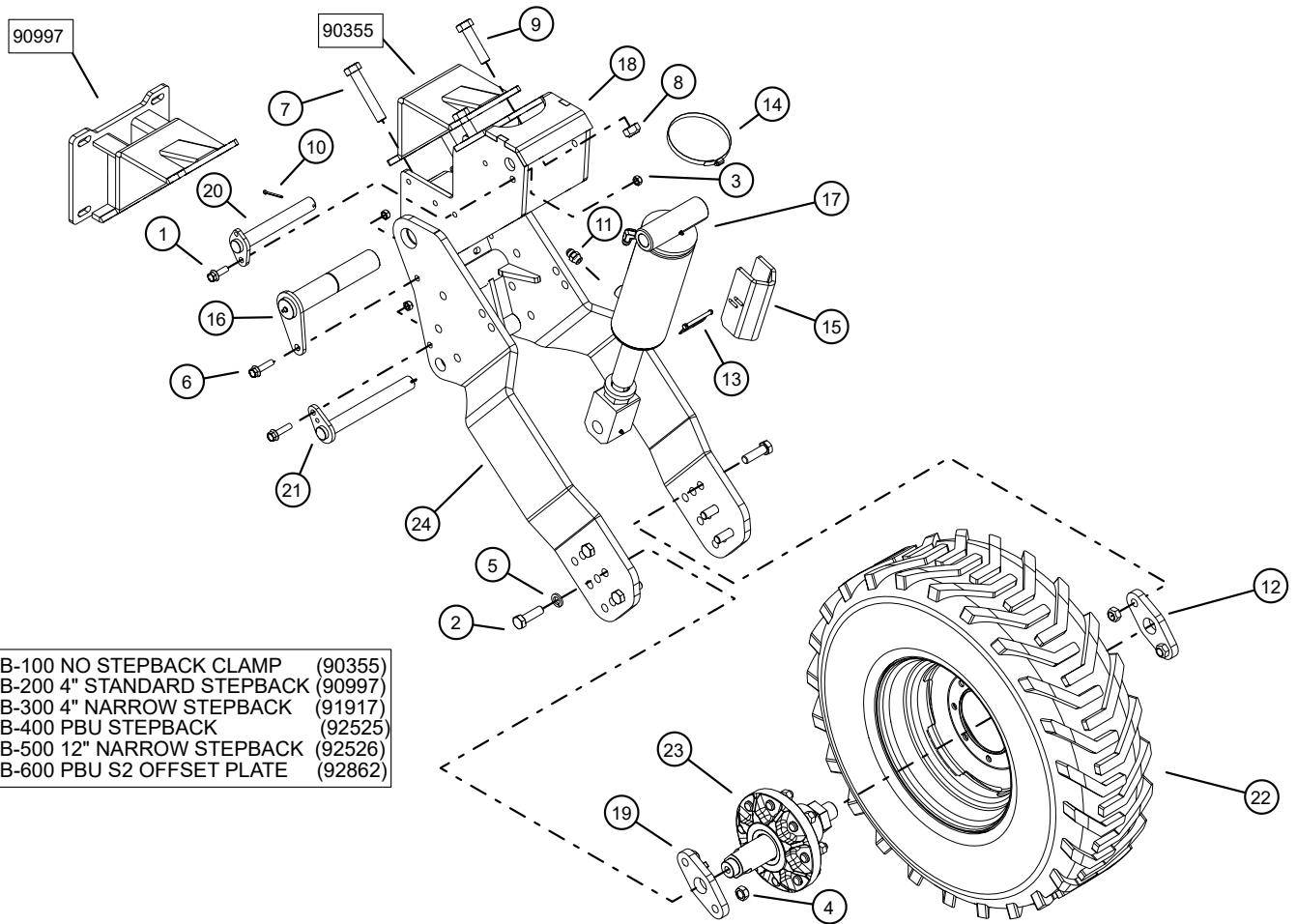
TB90665B-100 NO STEPBACK CLAMP	(90355)
TB90665B-200 4" STANDARD STEPBACK	(90997)
TB90665B-300 4" NARROW STEPBACK	(91917)
TB90665B-400 PBU STEPBACK	(92525)
TB90665B-500 12" NARROW STEPBACK	(92526)
TB90665B-600 PBU S2 OFFSET PLATE	(92862)

Item #	Part Number	Description	Qty
1	40005	BOLT, 1/2-13UNC X 1-1/2" HEX FLANGE, GRD 5, ZINC	1
2	40020	BOLT, 3/4-10UNC X 2-1/2" HEX, GRD 5, ZINC	6
3	40048	NUT, 1/2-13UNC, HEX, TOPLOCK, ZINC	3
4	40055	NUT, 3/4-10UNC, HEX, TOPLOCK, ZINC	4
5	40073	WASHER, LOCK, 3/4" SPLIT, ZINC	2
6	40127	BOLT, 5/8-11UNC X 2", HEX FLANGE, GRD 5, ZINC	2
7	40186	BOLT, 7/8-14UNF x 5, GRD 8, ZINC	2
8	40236	NUT, 7/8-14UNF, HEX, TOPLOCK, ZINC	4
9	40237	BOLT, 7/8-14UNF x 3-1/2", HEX, GRD 8, ZINC	2

Item #	Part Number	Description	Qty
10	40570	COTTER PIN, 3/16 X 2"	2
11	6400-08-08	FITTING, STRAIGHT #8 MALE JIC X #8 MALE O-RING	1
12	70607	SUPPORT, SPINDLE	1
13	70616	PIN, CLEVIS W/KEEPER 5/16" X 3" USABLE	1
14	71188	CLAMP, HOSE, 6"	1
15	71372	STOP, SERVICE, WELDED CYLINDERS	1
16	90024	PIN, WHEEL LIFT, HINGE	1
17	90474C	CYLINDER, WELDED, 4-3/4x8, RETRACT REPHASE	1
18	90585	WHEEL MNT, STD CLEARNACE, WELDED CYLINDERS	1

Item #	Part Number	Description	Qty
19	90638	SUPPORT, SPINDLE WITH ROTATION STOP	1
20	91347	PIN, 1-1/4", WHEEL CYL UPPER	1
21	91349	PIN, 1-1/4", WHEEL CYL LOWER, SINGLE WHEEL	1
22	CO-111789/1	RUEDA COMPLETA IZQ 8 AGUJEROS LEVANTAMIENTO ALAS HARVEST 12.5X16.5 (91659)	1
23	CO-111788	BUJE COMPLETO RUEDAS ALAS LATERALES HARVEST 8 AGUJEROS (91660)	1
24	92302	WIDE WHEEL UNIT ASM, 12.5X16.5, SINGLE, FOR ADJ ROD CYLINDERS	1

# TB90666B



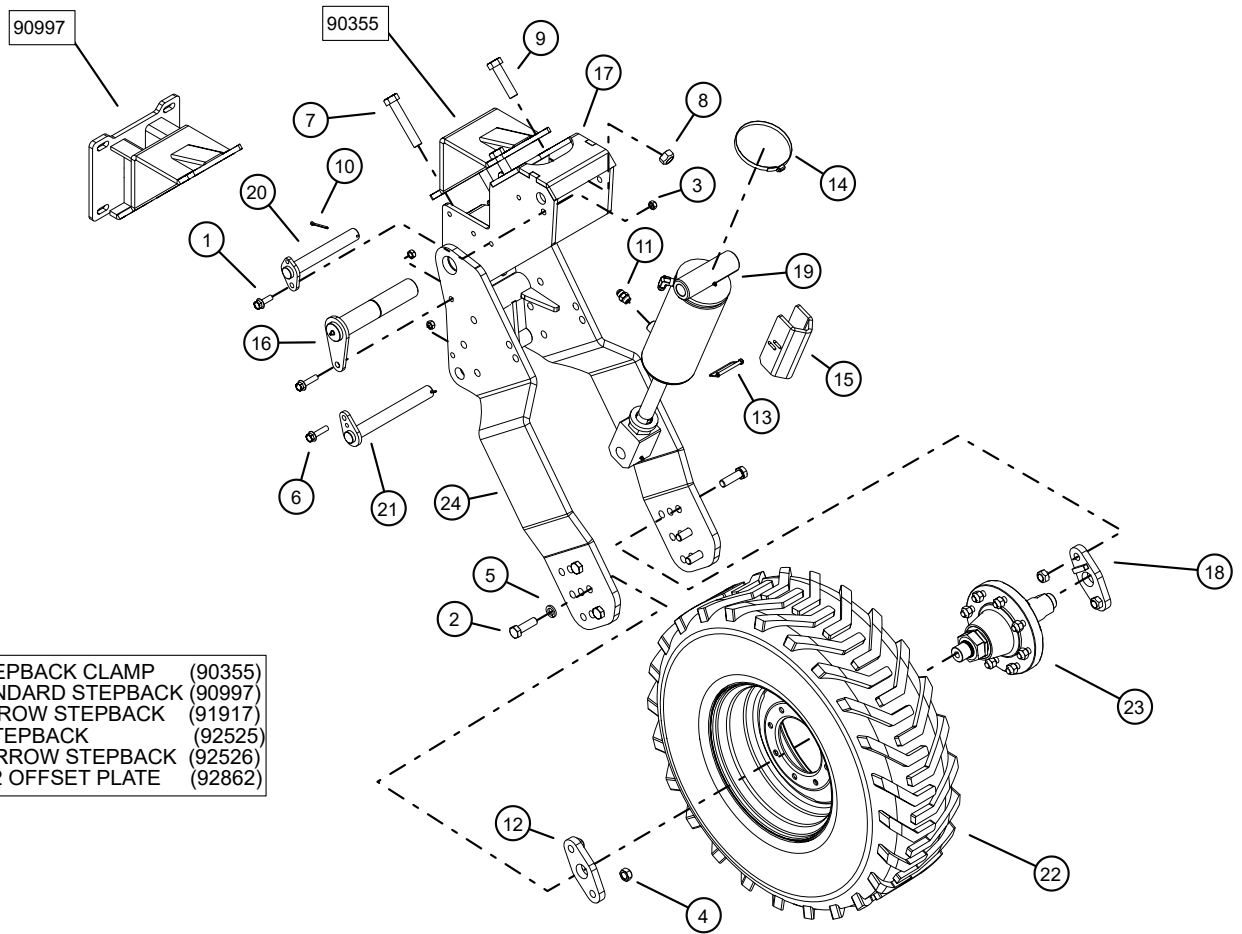
TB90666B-100 NO STEPBACK CLAMP (90355)  
 TB90666B-200 4" STANDARD STEPBACK (90997)  
 TB90666B-300 4" NARROW STEPBACK (91917)  
 TB90666B-400 PBU STEPBACK (92525)  
 TB90666B-500 12" NARROW STEPBACK (92526)  
 TB90666B-600 PBU S2 OFFSET PLATE (92862)

#	P/N	Description	Qty
1	40005	BOLT, 1/2-13UNC X 1-1/2" HEX FLANGE, GRD 5, ZINC	1
2	40020	BOLT, 3/4-10UNC X 2-1/2" HEX, GRD 5, ZINC	6
3	40048	NUT, 1/2-13UNC, HEX, TOPLOCK, ZINC	3
4	40055	NUT, 3/4-10UNC, HEX, TOPLOCK, ZINC	4
5	40073	WASHER, LOCK, 3/4" SPLIT, ZINC	2
6	40127	BOLT, 5/8-11UNC X 2", HEX FLANGE, GRD 5, ZINC	2
7	40186	BOLT, 7/8-14UNF x 5, GRD 8, ZINC	2
8	40236	NUT, 7/8-14UNF, HEX, TOPLOCK, ZINC	4
9	40237	BOLT, 7/8-14UNF x 3-1/2", HEX, GRD 8, ZINC	2

#	P/N	Description	Qty
10	40570	COTTER PIN, 3/16 X 2"	2
11	6400-08-08	FITTING, STRAIGHT #8 MALE JIC X #8 MALE O-RING	1
12	70607	SUPPORT, SPINDLE	1
13	70616	PIN, CLEVIS W/KEEPER 5/16" X 3" USABLE	1
14	71188	CLAMP, HOSE, 6"	1
15	71372	STOP, SERVICE, WELDED CYLINDERS	1
16	90024	PIN, WHEEL LIFT, HINGE	1
17	90473C	CYLINDER, WELDED, 4-1/2" X 8" REPHASE	1
18	90585	WHEEL MNT, STD CLEARNACE, WELDED CYLINDERS	1

#	P/N	Description	Qty
19	90638	SUPPORT, SPINDLE WITH ROTATION STOP	1
20	91347	PIN, 1-1/4", WHEEL CYL UPPER	1
21	91349	PIN, 1-1/4", WHEEL CYL LOWER, SINGLE WHEEL	1
22	C0-111789/1	RUEDA COMPLETA IZQ 8 AGUJEROS LEVANTAMIENTO ALAS HARVEST 12,5X16.5 (91659)	1
23	C0-111788	BUJE COMPLETO RUEDAS ALAS LATERALES HARVEST 8 AGUJEROS (91660)	1
24	92302	WIDE WHEEL UNIT ASM, 12.5X16.5, SINGLE, FOR ADJ ROD CYLINDERS	1

# TB90840B



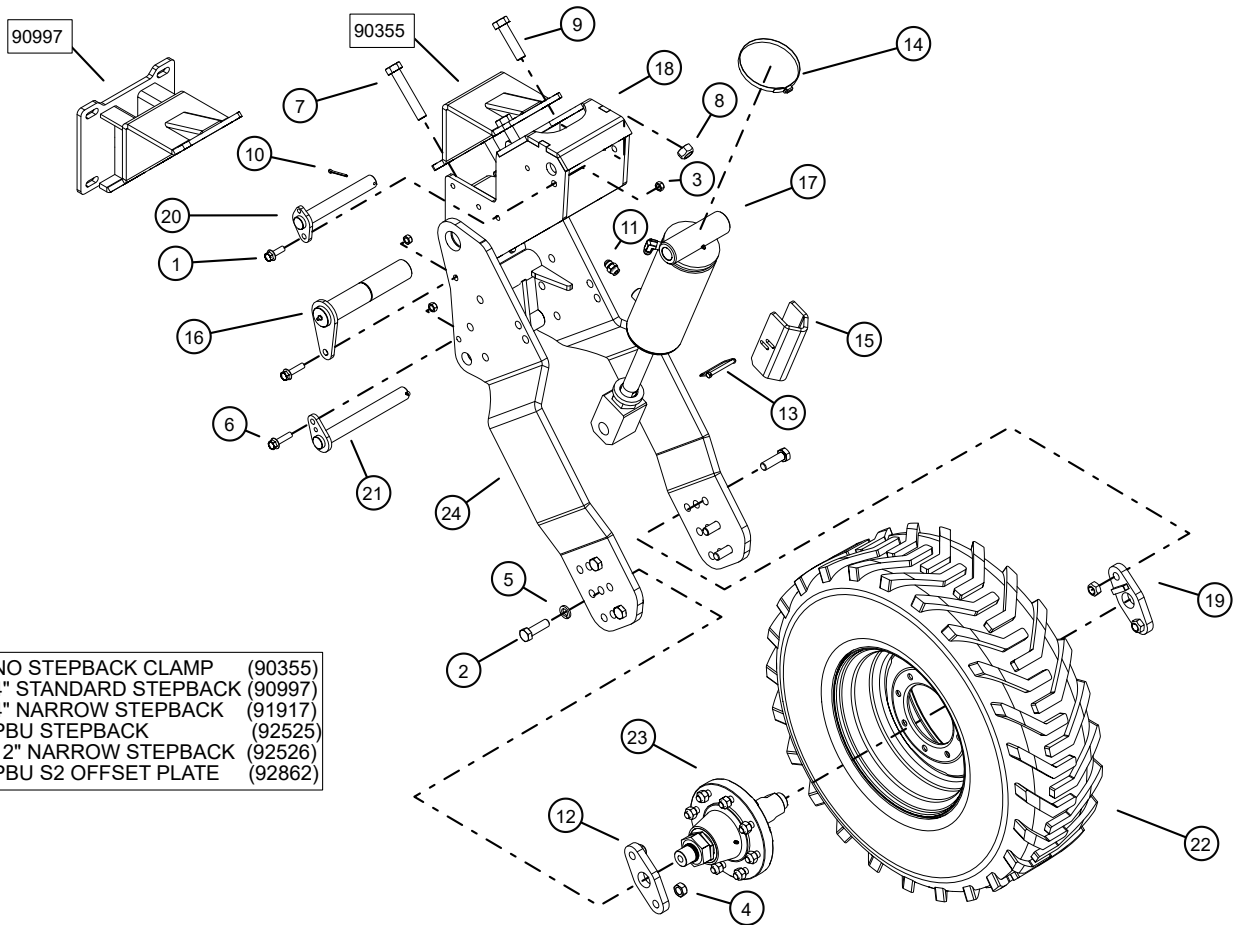
TB90840B-100 NO STEPBACK CLAMP (90355)  
 TB90840B-200 4" STANDARD STEPBACK (90997)  
 TB90840B-300 4" NARROW STEPBACK (91917)  
 TB90840B-400 PBU STEPBACK (92525)  
 TB90840B-500 12" NARROW STEPBACK (92526)  
 TB90840B-600 PBU S2 OFFSET PLATE (92862)

Item #	Part Number	Description	Qty
1	40005	BOLT, 1/2-13UNC X 1-1/2" HEX FLANGE, GRD 5, ZINC	1
2	40020	BOLT, 3/4-10UNC X 2-1/2" HEX, GRD 5, ZINC	6
3	40048	NUT, 1/2-13UNC, HEX, TOPLOCK, ZINC	3
4	40055	NUT, 3/4-10UNC, HEX, TOPLOCK, ZINC	4
5	40073	WASHER, LOCK, 3/4" SPLIT, ZINC	2
6	40127	BOLT, 5/8-11UNC X 2", HEX FLANGE, GRD 5, ZINC	2
7	40186	BOLT, 7/8-14UNF x 5, GRD 8, ZINC	2
8	40236	NUT, 7/8-14UNF, HEX, TOPLOCK, ZINC	4
9	40237	BOLT, 7/8-14UNF x 3-1/2", HEX, GRD 8, ZINC	2

Item #	Part Number	Description	Qty
10	40570	COTTER PIN, 3/16 X 2"	2
11	6400-08-08	FITTING, STRAIGHT #8 MALE JIC X #8 MALE O-RING	1
12	70607	SUPPORT, SPINDLE	1
13	70616	PIN,CLEVIS WKEEPER 5/16" X 3" USABLE	1
14	71188	CLAMP, HOSE, 6"	1
15	71372	STOP, SERVICE, WELDED CYLINDERS	1
16	90024	PIN, WHEEL LIFT, HINGE	1
17	90585	WHEEL MNT, STD CLEARNACE, WELDED CYLINDERS	1
18	90638	SUPPORT, SPINDLE WITH ROTATION STOP	1

Item #	Part Number	Description	Qty
19	90661C	CYLINDER, WELDED, 5x8, REPHASE	1
20	91347	PIN, 1-1/4", WHEEL CYL UPPER	1
21	91349	PIN, 1-1/4", WHEEL CYL LOWER, SINGLE WHEEL	1
22	CO-111789/D	RUEDA COMPLETA DER 8 AGUJEROS LEVANTAMIENTO ALAS HARVEST 12,5X16.5 (91658)	1
23	CO-111788	BUJE COMPLETO RUEDAS ALAS LATERALES HARVEST 8 AGUJEROS (91660)	1
24	92302	WIDE WHEEL UNIT ASM, 12.5X16.5, SINGLE, FOR ADJ ROD CYLINDERS	1

# TB90841B

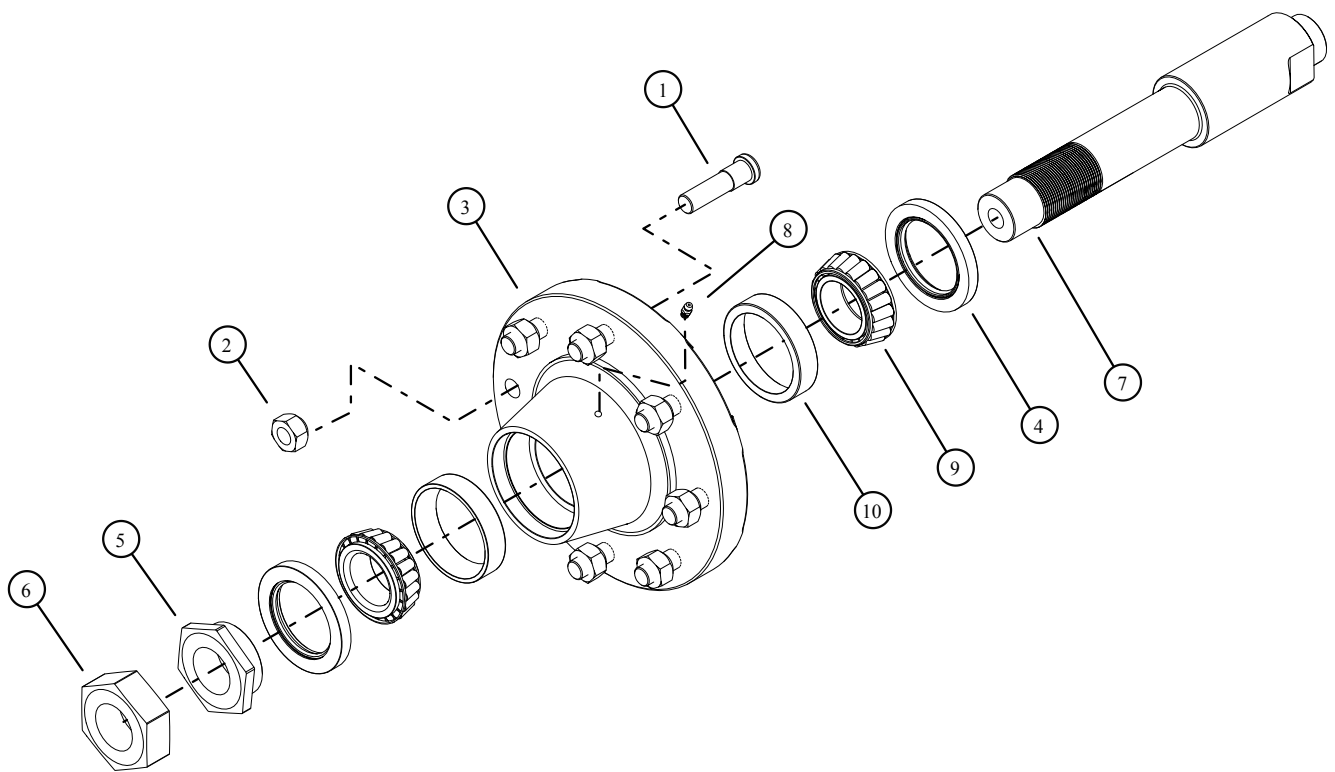


TB90841B-100 NO STEPBACK CLAMP	(90355)
TB90841B-200 4" STANDARD STEPBACK	(90997)
TB90841B-300 4" NARROW STEPBACK	(91917)
TB90841B-400 PBU STEPBACK	(92525)
TB90841B-500 12" NARROW STEPBACK	(92526)
TB90841B-600 PBU S2 OFFSET PLATE	(92862)

Item #	Part Number	Description	Qty
1	40005	BOLT, 1/2-13UNC X 1-1/2" HEX FLANGE, GRD 5, ZINC	1
2	40020	BOLT, 3/4-10UNC X 2-1/2" HEX, GRD 5, ZINC	6
3	40048	NUT, 1/2-13UNC, HEX, TOPLOCK, ZINC	3
4	40055	NUT, 3/4-10UNC, HEX, TOPLOCK, ZINC	4
5	40073	WASHER, LOCK, 3/4" SPLIT, ZINC	2
6	40127	BOLT, 5/8-11UNC X 2", HEX FLANGE, GRD 5, ZINC	2
7	40186	BOLT, 7/8-14UNF x 5, GRD 8, ZINC	2
8	40236	NUT, 7/8-14UNF, HEX, TOPLOCK, ZINC	4
9	40237	BOLT, 7/8-14UNF x 3-1/2", HEX, GRD 8, ZINC	2

Item #	Part Number	Description	Qty
10	40570	COTTER PIN, 3/16 X 2"	2
11	6400-08-08	FITTING, STRAIGHT #8 MALE JIC X #8 MALE O-RING	1
12	70607	SUPPORT, SPINDLE	1
13	70616	PIN, CLEVIS W/KEEPER 5/16" X 3" USABLE	1
14	71188	CLAMP, HOSE, 6"	1
15	71372	STOP, SERVICE, WELDED CYLINDERS	1
16	90024	PIN, WHEEL LIFT, HINGE	1
17	90474C	CYLINDER, WELDED, 4-3/4x8, RETRACT REPHASE	1
18	90585	WHEEL MNT, STD CLEARNACE, WELDED CYLINDERS	1

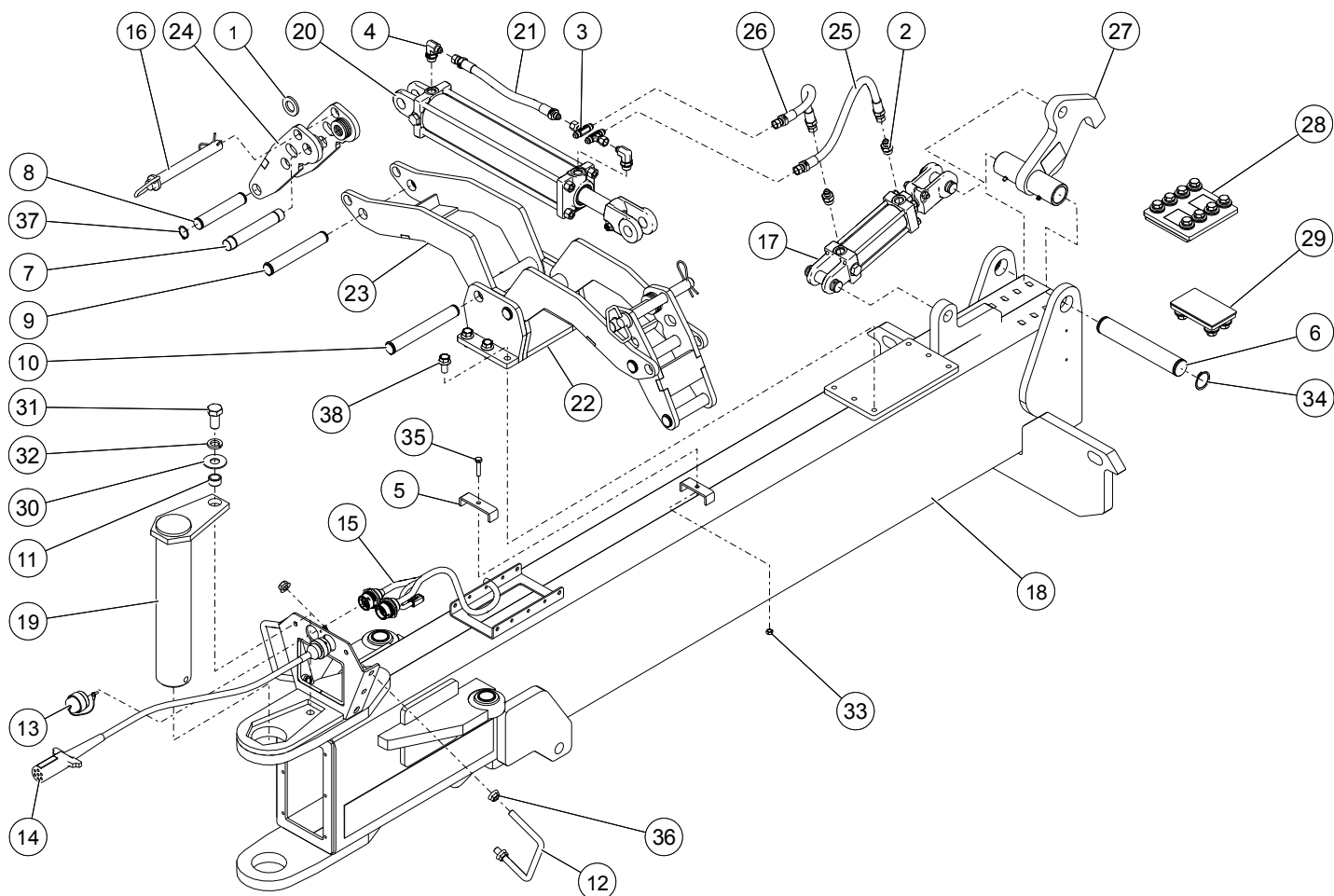
Item #	Part Number	Description	Qty
19	90638	SUPPORT, SPINDLE WITH ROTATION STOP	1
20	91347	PIN, 1-1/4", WHEEL CYL UPPER	1
21	91349	PIN, 1-1/4", WHEEL CYL LOWER, SINGLE WHEEL	1
22	CO-111789/D	RUEDA COMPLETA DER 8 AGUJEROS LEVANTAMIENTO ALAS HARVEST 12,5X16.5 (91658)	1
23	CO-111788	BUJE COMPLETO RUEDAS ALAS LATERALES HARVEST 8 AGUJEROS (91660)	1
24	92302	WIDE WHEEL UNIT ASM, 12.5X16.5, SINGLE, FOR ADJ ROD CYLINDERS	1



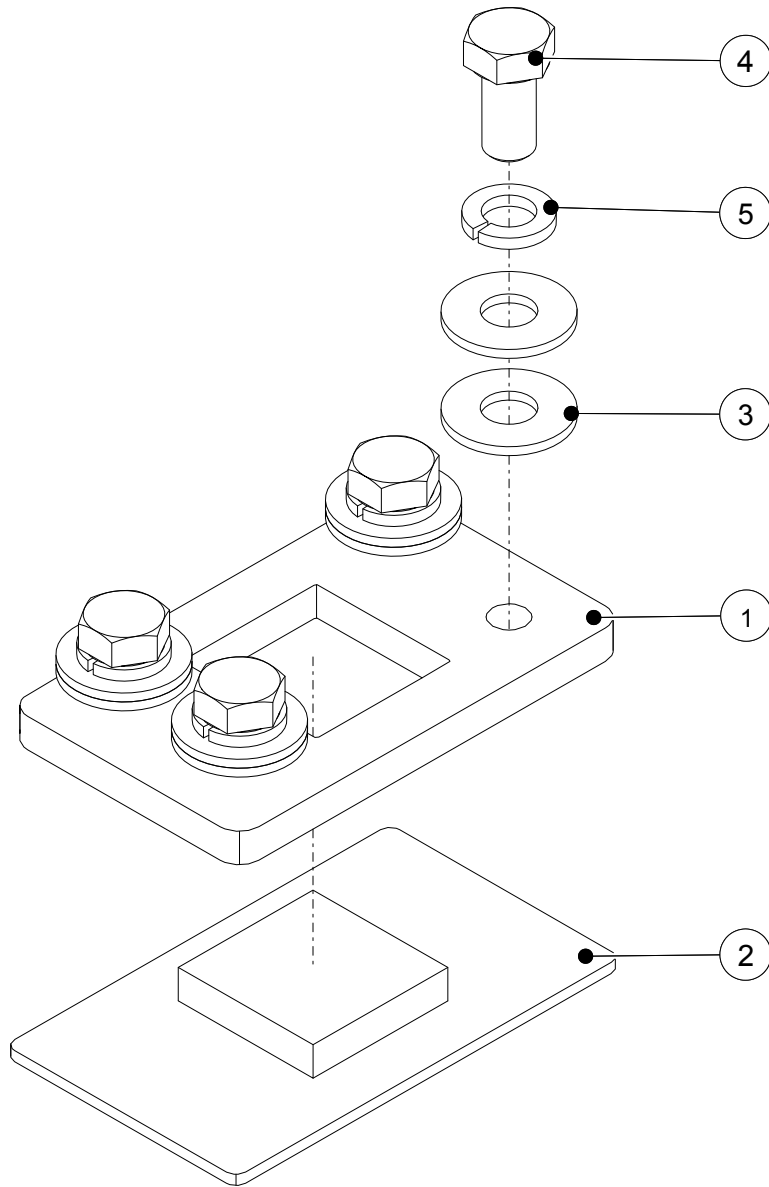
#	P/N	Description	Qty
1	40190	STUD BOLT, DRIVE IN, 5/8-18UNF X 2-1/2"	8
2	40636	NUT, LUG, 5/8-18UNF, ZINC	8
3	70599	HUB, (ONLY)(GKN#8C01HD)	1
4	70600	SEAL, HEAVY DUTY, HUB	2
5	70601	NUT, JAM, MACHINED, 1-3/4-12	1
6	70602	NUT, JAM, 1-3/4-12	1

#	P/N	Description	Qty
7	73507	SPINDLE, 8 BOLT ON 8" B.C. WING TIRE	1
8	74662	ZERK, GREASE, 1/4-28UNF, STRAIGHT	1
9	90188	BEARING, TAPERED, DOES NOT INCLUDE OUTER RACE	2
10	90188-01	RACE, OUTER	2

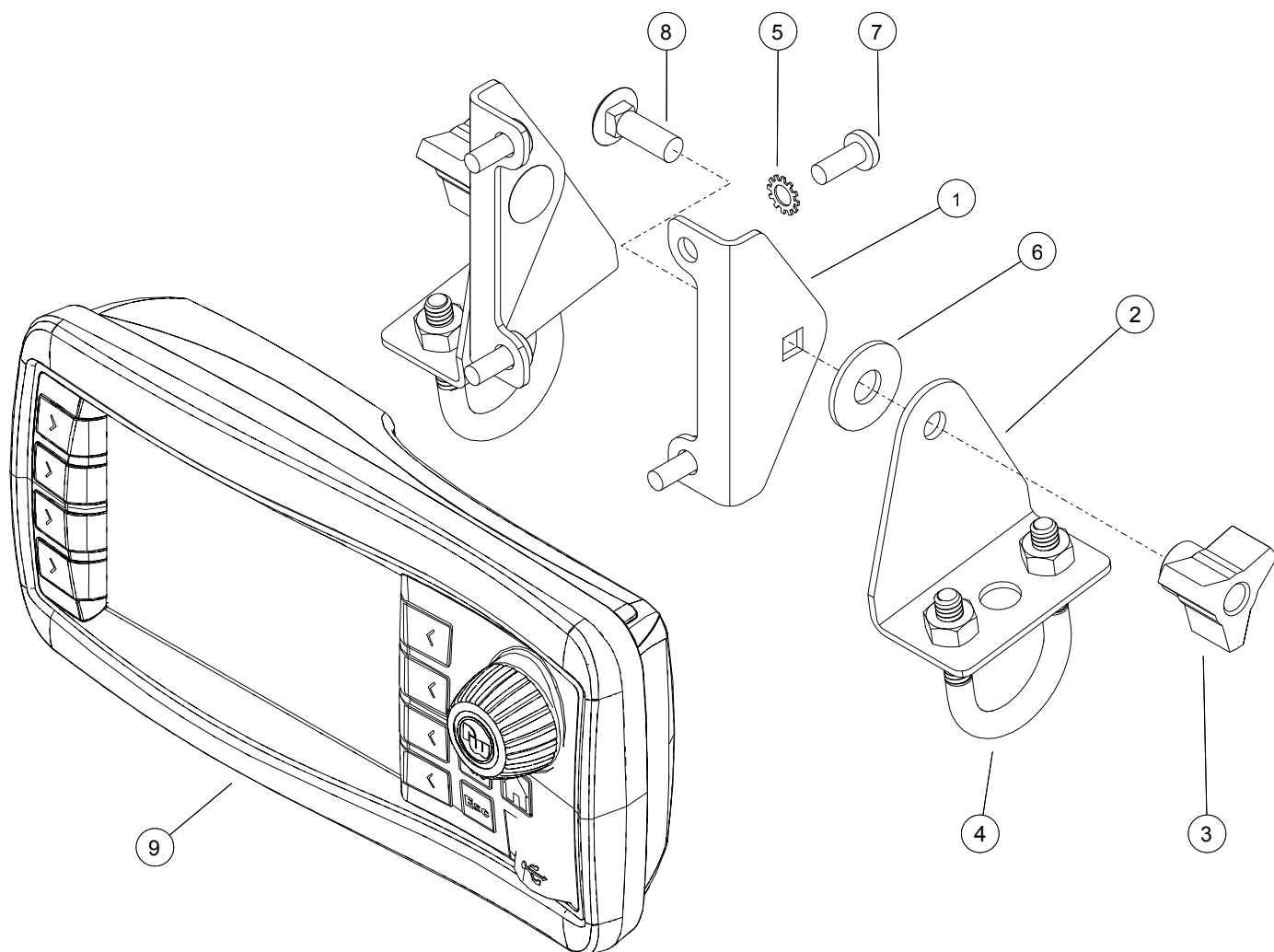




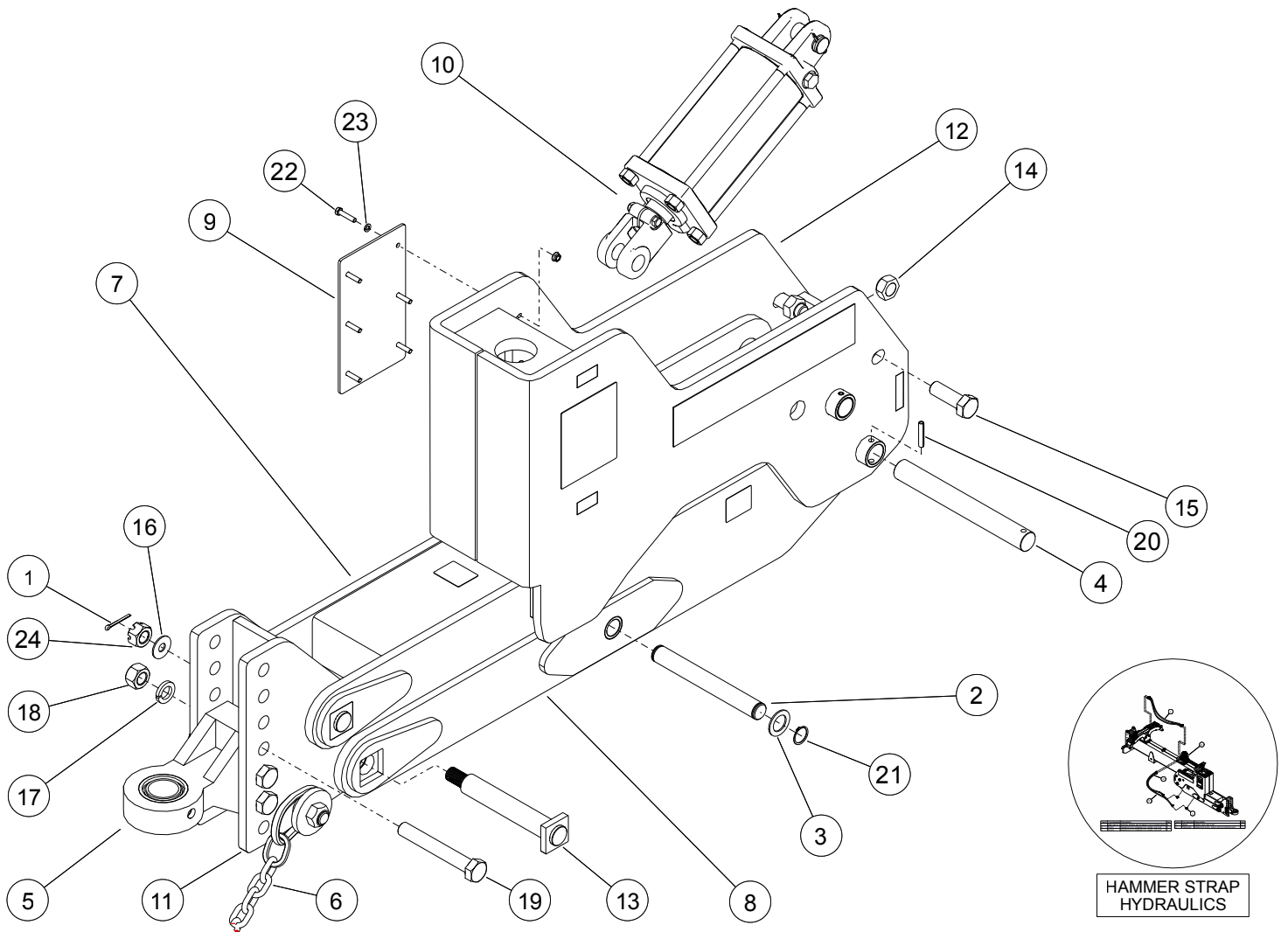
N°	REF.	DESCRIPTION	Qty
1	12962	SPACER, WASHER	16
2	6400-06-08	FITTING, #6 JIC MALE x #8 O-RING MALE	2
3	HI-703099	RACORT MF 06 JIC-MF 06 JIC-TL 06 JIC CENT(6600-06-06-06)	2
4	6801-06-08	ELBOW, #8 ORB X #6 JIC MALE	2
5	70267	BRACKET, HOSE HOLD DOWN, OUTER TONGUE	1
6	70753	SHAFT, TONGUE LATCH	1
7	71786	PIN, CYLINDER, TRANS LATCH	2
8	71795	PIN, LATCH UPPER	2
9	71796	PIN, LATCH PIVOT	2
10	ME-111787	BULON PIVOTE GATILLO (71797)	2
11	71975	BUSHING, PIN RETAINER, 1/2" PLATE	1
12	72145	U-BOLT, 1/2" X 3 X 5, HOSE SUPPORT	2
13	90631-109	CAP, DUST, 14 PIN BULKHEAD CONNECTOR	1
14	90631-111	HARNESS, TRACTOR - BULKHEAD CONNECTOR, 72"	1
15	90632C-129	HARNESS, BULKHEAD TO REAR MANIFOLD, 30-40FT	1
16	30800A	PIN, AXLE EXTENSION RETAIN, WITH PIN CLIP	2
17	CO-111753	CILINDRO FIJACION TELESCOPICO HARVEST(90001)	1
18	90460	OUTER TONGUE ASM, 40FT PLANTER	1
19	90468A	PIN, 2PT PIVOT, UPPER	1
20	CO-111752	CILINDRO FIJACION ALAS LATERALES HARVEST(90868)	1
21	90969	HOSE, 3/8" X 12-1/2", TRANSLATCH CYL BASE	1
22	90982	BASE, TRANSLATCH	1
23	90984	ARM, LATCH ASSY, INNER	2
24	90985	ARM LATCH ASSY, OUTER	2
25	90988	HOSE, HYD, TRANSLATCH CYL ROD	1
26	90989	HOSE, HYD, TRANSLATCH CYL BASE	1
27	91044	LATCH ASM, TONGUE	1
28	TB90806	WEARPAD ASM, TOP	1
29	TB91064	WEAR PAD ASM, LOWER, SINGLE PAD	1
30	40068	WASHER, FLAT, 3/4", ZINC	1
31	40090	BOLT, 3/4-10UNC x 1-1/2", HEX, GRD 5, ZINC	1
32	40073	WASHER, LOCK, 3/4", SPLIT, ZINC	1
33	40060	NUT, 5/16-18UNC, HEX, TOPLOCK, ZINC	1
34	40233	SNAP RING, 1.5", HEAVY DUTY, EXTERNAL	2
35	40216	BOLT, 5/16-18UNC X 1-1/2", HEX, GRD 5, ZINC	1
36	40047	NUT, 1/2-13UNC, HEX FLANGE, GRD 5, ZINC	8
37	40234	SNAP RING, HD, 1" EXTERNAL	16
38	40001	BOLT, 1/2-13UNC X 1" HEX FLANGE, GRD 5, ZINC	6



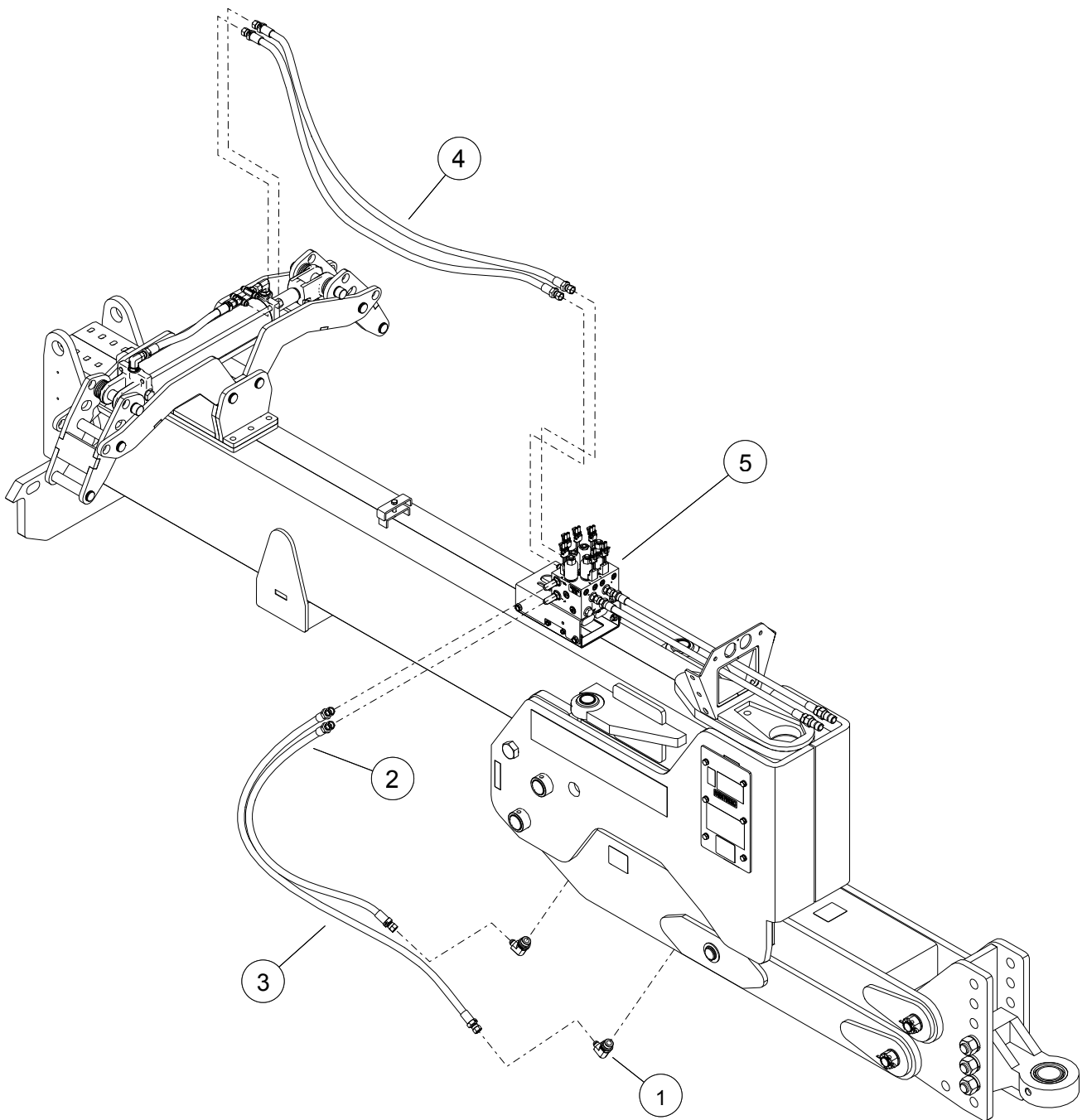
N°	REF.	DESCRIPTION	Qty
1	71083	PLATE, STOP BLOCK WEARPAD RETAIN	1
2	CO-111764	PATIN TUBO TELESCOPICO LANZA(71085)	1
3	40067	WASHER, FLAT, 1/2", ZINC	8
4	40002	BOLT,1/2-13UNC X 1" HEX, GRD 5 , ZINC	4
5	40072	WASHER, LOCK, 1/2", SPLIT, ZINC	4



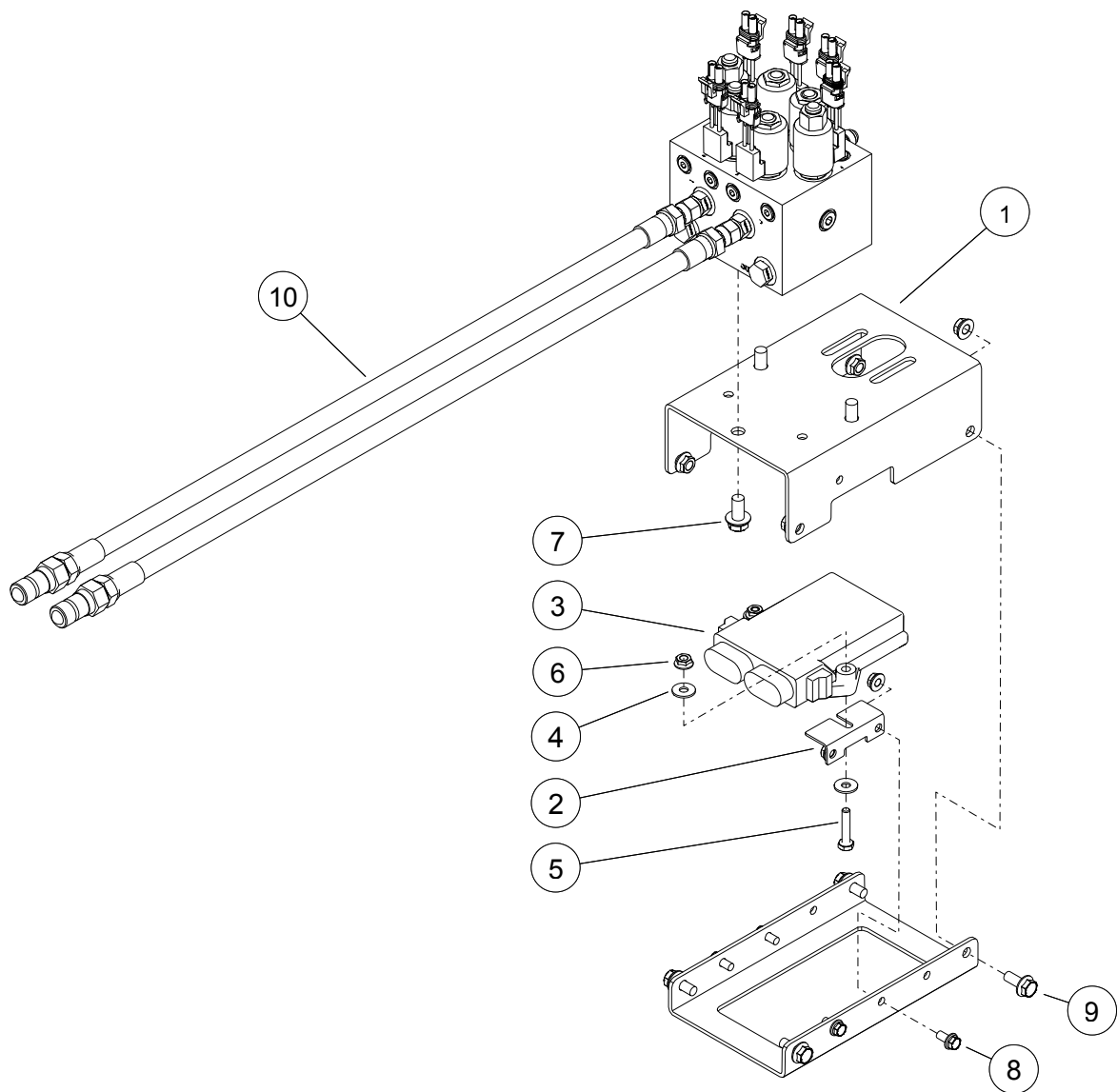
N°	REF.	DESCRIPTION	Qty
1	72393	BRACKET CONSOLE MNT, CONSOLE	2
2	72394	BRACKET CONSOLE MNT , TRACTOR	2
3	72395	KNOB, FLUTTED, CONSOLE RETAIN	2
4	72396	U-BOLT, 1/4" X 1" ID	2
5	40373	WASHER, LOCK, M5, EXT TOOTH, ZINC	4
6	40069	WASHER, FLAT, 5/16", ZINC	2
7	40374	SCREW, M5-08X13MM, PHILIP HEAD, ZINC	4
8	40110	BOLT, 1/4-20UNC X 3/4",CARRIAGE, GRD 5, ZINC	2
9	90631-125	CONSOLE ASSY, GEN 3 TOUCH SCREEN	1



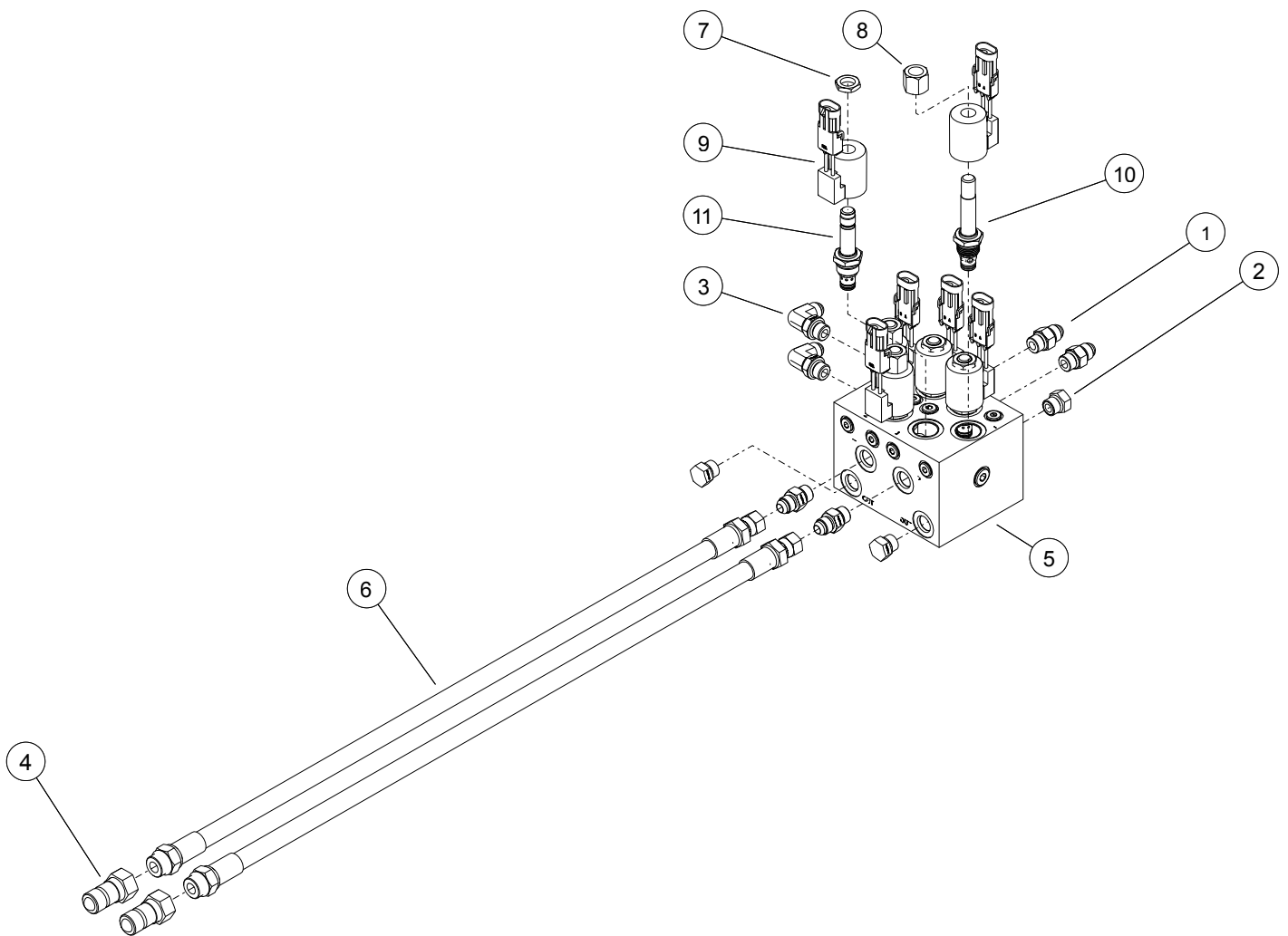
N°	REF.	DESCRIPTION	Qty
1	11362	COTTER PIN, 3/16 X 2"	2
2	ME-091732	BULON CENTRAL LANZA INF HARVEST (71317)	1
3	71751	WASHER, 1.25" ID X 2" OD	2
4	ME-111788	BULON PASADOR DE LENGUETA HARVEST 72122	2
5	CO-111767	ENGANCHE ANILLA CARRO BULL PULL	1
6	90026	CHAIN, SAFETY, 3/8", WITH BOLT SLEEVE & NUT	1
7	90461A	TONGUE ASSY UPPER, 30-40FT, HAMMER STRAP CONVERSION	1
8	90462A	TONGUE ASSY LOWER, 40FT PLANTER, HAMMER STRAP CONVERSION	1
9	90489	COVER PLATE, OUTER TONGUE	1
10	CO-111751	CILINDRO LANZA PARALELAS HARVEST(90587)	1
11	91045	HITCH PIVOT, PB/ST30,40,44XX	1
12	91050	TONGUE MNT ASSY, PB&ST3030&4030	1
13	91117	PIN, HITCH PIVOT OUTER, BULL PULL CONVERSION	2
14	40052	NUT, 1-8UNC, HEX, TOPLOCK, ZINC	2
15	40018	BOLT, 1-8UNC X 3 HEX, GRD 5, ZINC	2
16	40070	WASHER, FLAT, 5/8" ZINC	2
17	40334	WASHER, LOCK, 1" SPLIT, ZINC	3
18	40080	NUT, 1-8UNC, HEX, GRD 5, ZINC	3
19	40122	BOLT, 1-8UNC X 7 HEX, GRD 5, ZINC	3
20	10383	PIN, ROLL, 3/8" X 2" ZINC	2
21	FE-614162	SAEGER BULON CILINDRO RUEDAS ALAS (HARVEST 40232)	2
22	40097	BOLT, 5/16-18UNC X 1-1/2", HEX, GRD 5, ZINC	6
23	40074	WASHER, LOCK, 5/16" SPLIT, ZINC	6
24	40181	NUT, 1-8UNC, CASTLE, HEX, GRD 5, ZINC	2



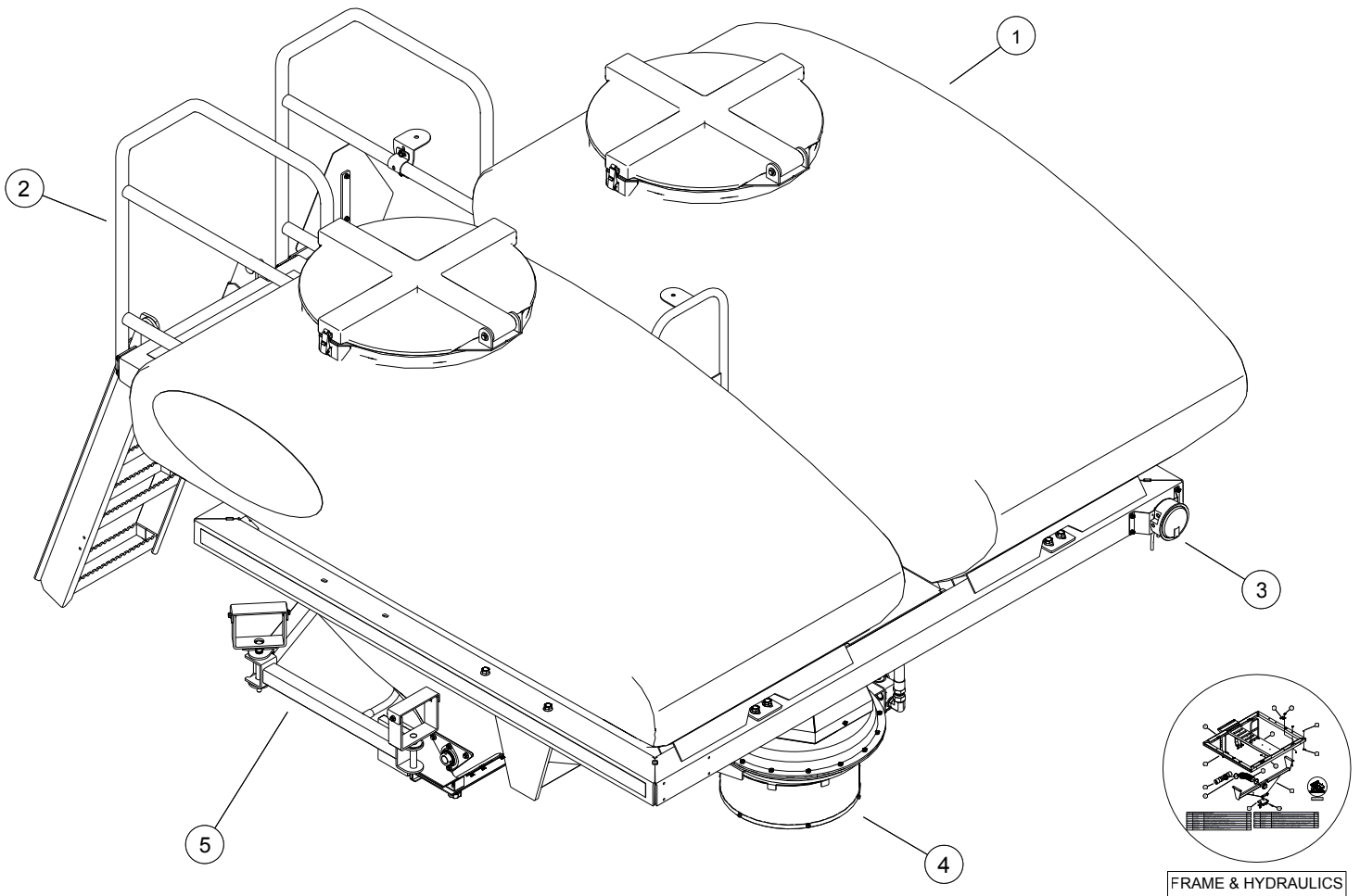
N°	REF.	DESCRIPTION	Qty
1	6801-06-10	ELBOW, 90DEG, #6 JIC MALE X #10 O-RING MALE	2
2	91301	MANIFOLD TO TONGUE CYL, HOSE, 3/8 X 40"	1
3	91302	MANIFOLD TO TONGUE CYL, HOSE, 3/8 X 48"	1
4	90951	HOSE, HYD, 3/8" X 50"	2
5	TB90339C	MANIFOLD ASSY, GEN 3 WITH CONTROLLER	1



N°	REF.	DESCRIPTION	Qty
1	70979B	BRACKET, MANIFOLD MNT, FOR CAM-BUSS CONTROLLER	1
2	72377A	BRACKET, CONTROLLER MNT, OUTER TONGUE	2
3	90631-126	CONTROLLER MODULE, FRONT MANIFOLD, SAX90	1
4	40067	WASHER, FLAT, 1/4", ZINC	4
5	40142	BOLT, 1/4-20UNC, X 1-1/4", HEX, GRD 5, ZINC	2
6	40049	NUT, 1/4-20UNC, HEX FLANGE, GRD 5, ZINC	6
7	40030	BOLT, 3/8-16UNC X 3/4" HEX FLANGE, GRD 5, ZINC	3
8	40013	BOLT, 1/4-20UNC X 1/2" HEX FLANGE, GRD 5, ZINC	4
9	40038	BOLT, 5/16-18UNC X 3/4" HEX FLANGE, GRD 5, ZINC	4
10	TB90339	MANIFOLD, TRANSLOCK, MARKER, GEN 2	1

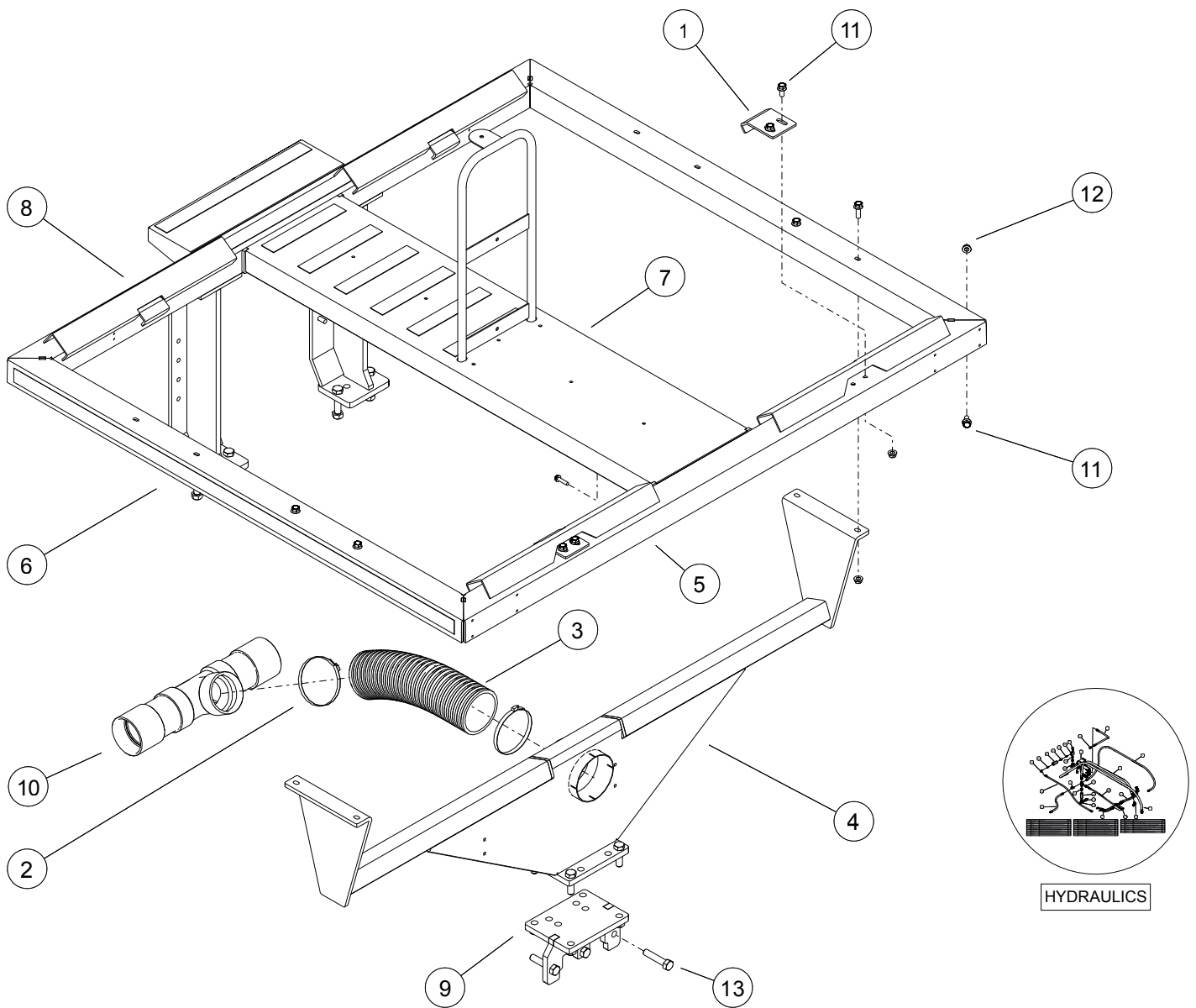


N°	REF.	DESCRIPTION	Qty
1	6400-06-06	FITTING, #6JIC MALE TO #6 O-RING MALE	4
2	6408-06	PLUG, #6 O-RING, HEX, ZINC	3
3	6801-06-06	ELBOW, #6 JIC MALE TO #8 O-RING, MALE	2
4	70596	COUPLER, ISO MALE (PIONEER), #8 FEMALE O-RING,	2
5	90339	MANIFOLD, TRANSLOCK/MARKER	1
6	90543	HOSE, HYD, 3/8" x 100" #8 O-RINGM X #8 JICF	2
7	71333-01	NUT, THIN, COIL RETAIN	3
8	71338-01	NUT, THICK, NORMALLY OPEN, COIL RETAIN	3
9	73010	COIL, (SOLENOID), 12V W/WEATHERPACK	6
10	73011	CARTRIDGE, POPPET, #8, N/O	3
11	73012	CARTRIDGE, POPPET, #8, N/C	3

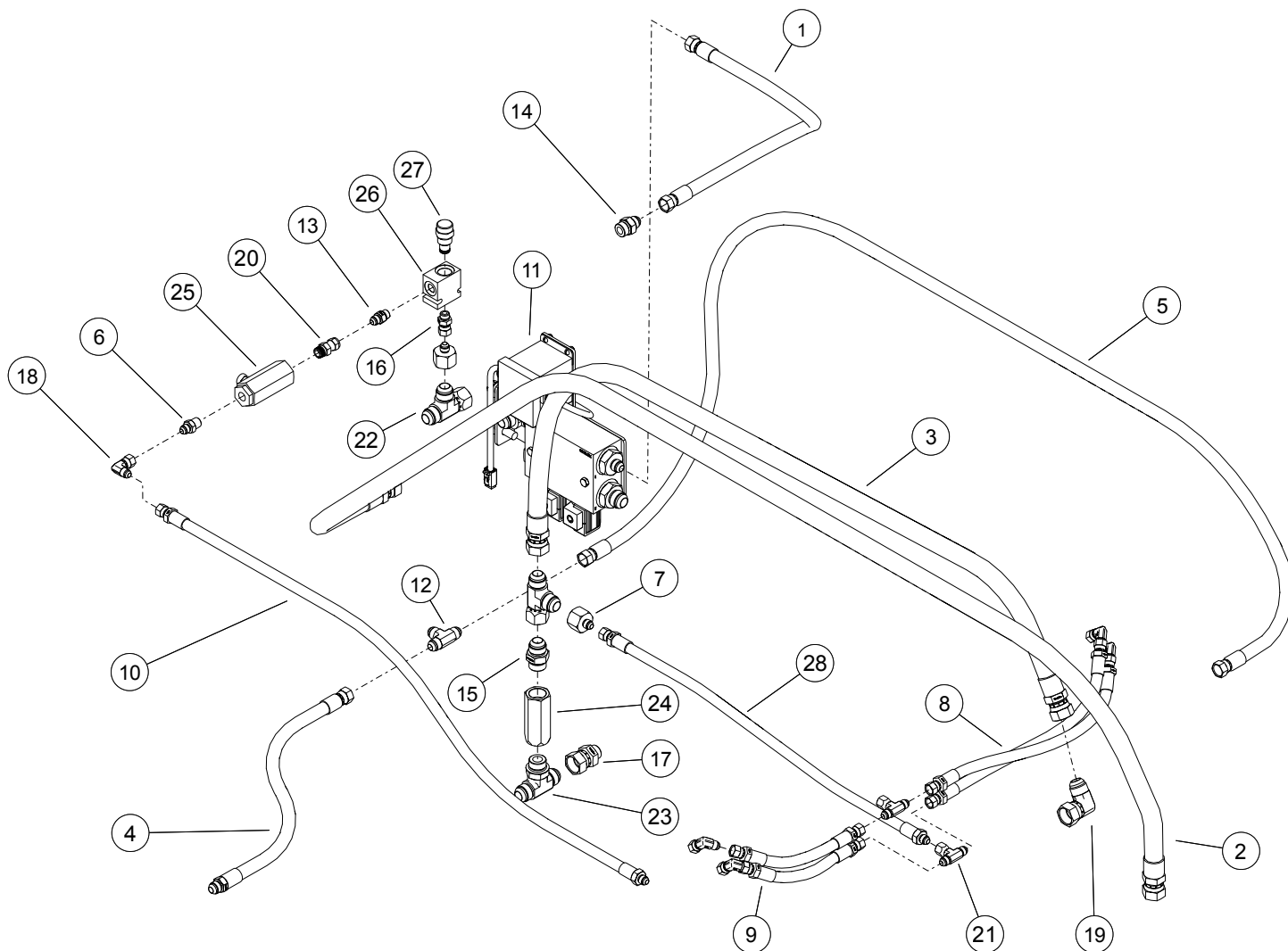


N°	REF.	DESCRIPTION	Qty
1	TB90701A	HOPPERS, AIRBOX, PLENUM, AGITATOR	1
2	TB90709A	PLATFORM ASSY, CCS 2	1
3	TB91004	MAGNAHELIC ASM	1
4	TB90725A	FAN ASSY, CCS 2	1
5	TB90785A	ARM ASSY, HOSE SUPPORT, CENTRAL FILL	1

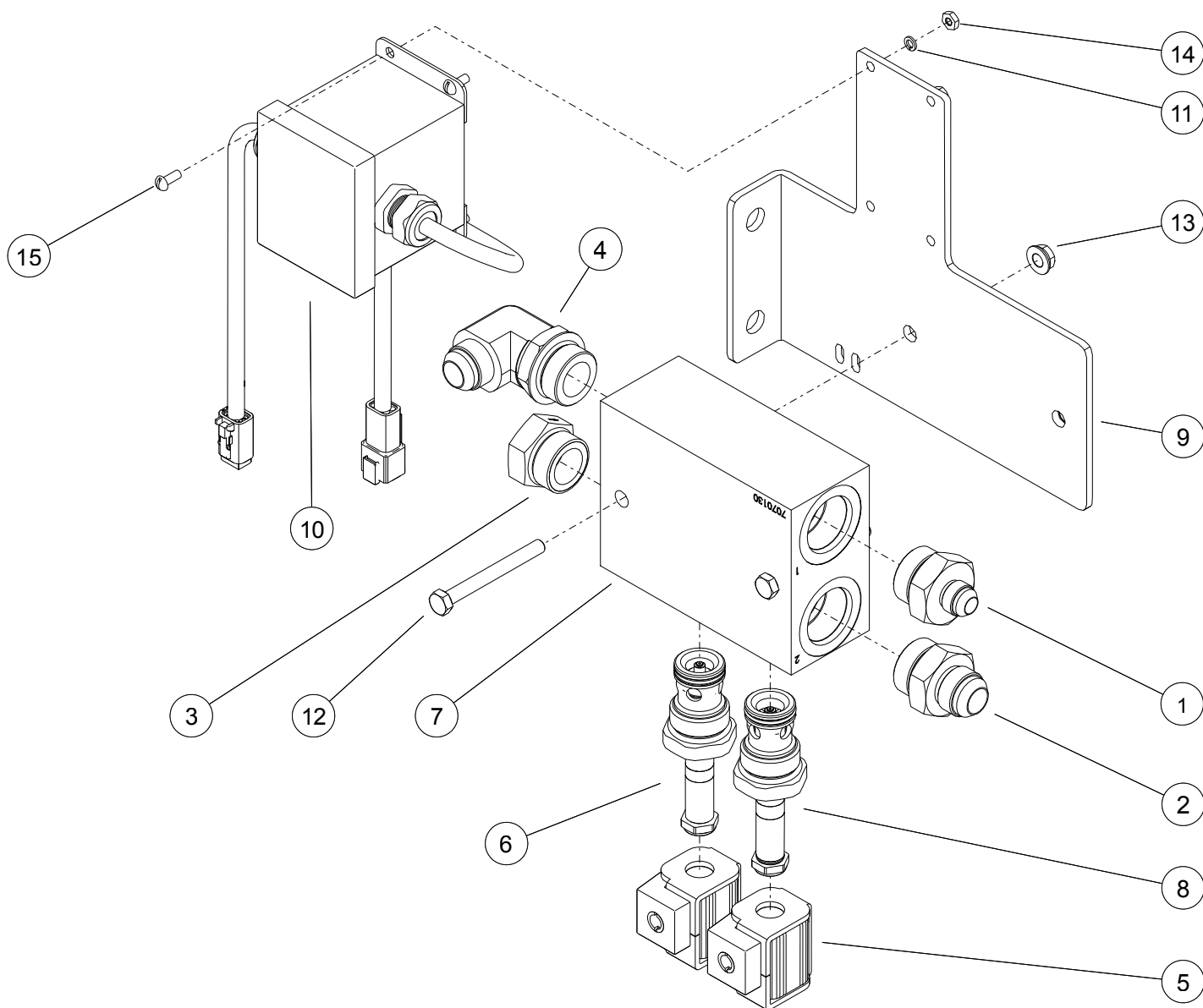




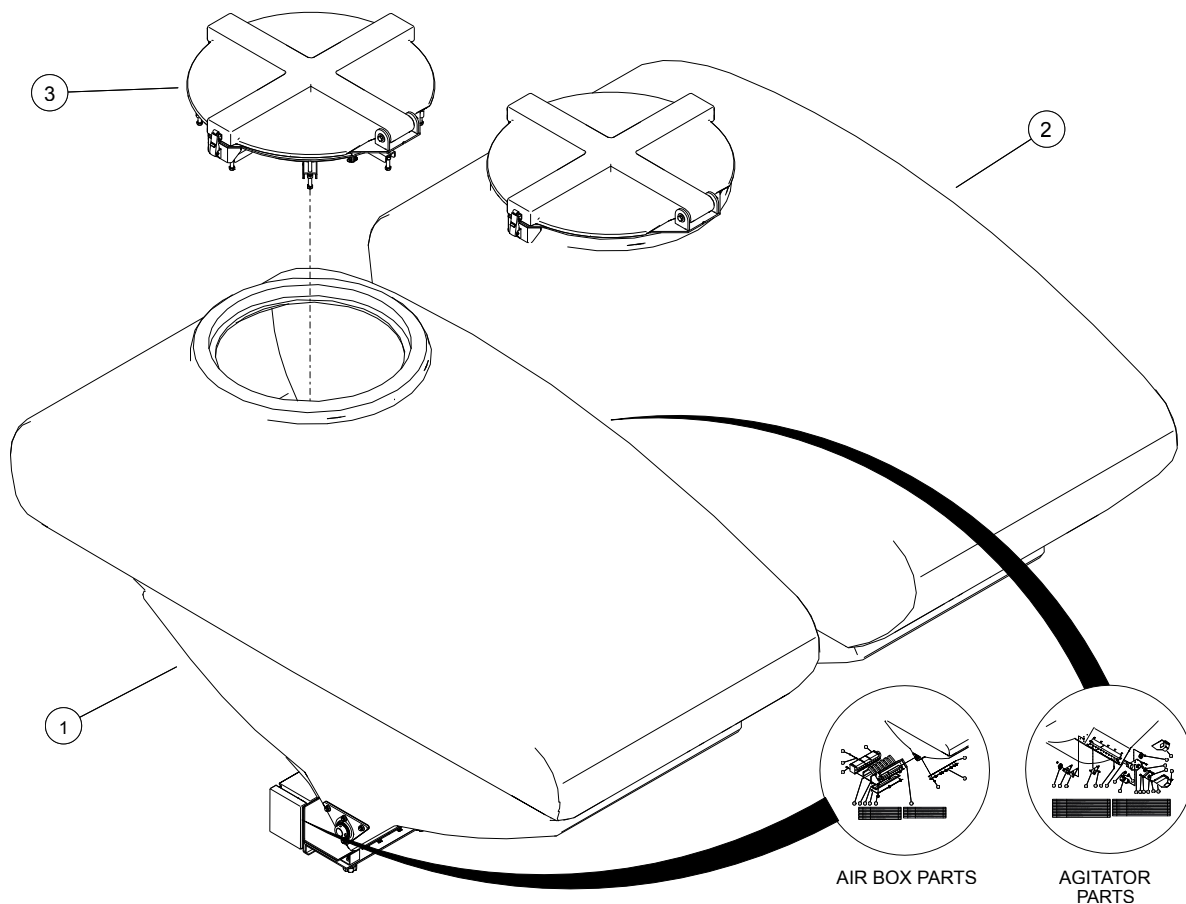
N°	REF.	DESCRIPTION	Qty
1	71486	BRACKET, HOPPER RETAIN	4
2	71628	CLAMP, HOSE, 4-1/8" - 7"	2
3	71635	HOSE, 5" FAN TO AIR BOX TEE	1
4	90703B	DECK SUPPORT ASSY, FRONT, CCS 2	1
5	90704A	CROSS MEMBER DECK FRONT CCS 2	1
6	90705	SIDE, DECK, CCS	2
7	90706A	DECK CENTER MEMBER, CCS 2	1
8	90707A	CROSS MEMBER DECK SUPPORT CCS 2	1
9	90716	MOUNT BRACKET, CENTRAL FILL, 30 & 40FT BARS	1
10	91229	TEE ASSY, CCS 2	1
11	40001	BOLT, 1/2-13UNC X 1" HEX FLANGE, GRD 5, ZINC	16
12	40047	NUT, 1/2-13UNC, HEX FLANGE, GRD 5, ZINC	16
13	40193	BOLT, 3/4-16UNF x 3.5, GRD 8, ZINC	3



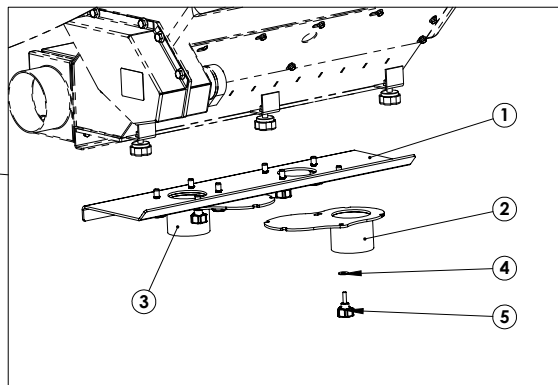
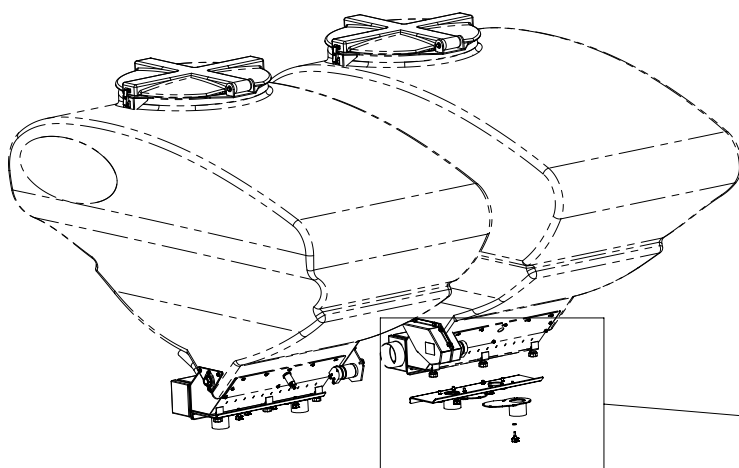
N°	REF.	DESCRIPTION	Qty
1	90727	HOSE, HYD, 1/2" X 21-3/4"	1
2	90729	HOSE, HYD, SELECTOR VALVE TO FLOW CONTROL	1
3	90732	HOSE, HYD, FAN RETURN FROM CHECK TO P1	1
4	90770	HOSE, HYD, 1/2" X 18"	1
5	90771	HOSE, HYD 1/2" X 86"	1
6	2404-06-06	FITTING, #6 JIC MALE TO 3/8" NPT (PIPE)	1
7	2406-12-06	REDUCER, #12JIC FEMALE X #6JIC MALE	2
8	91262	HOSE, AGITAOR DRIVE MOTOR, LEFT	2
9	91261	HOSE, AGITATOR DRIVE MOTOR, RIGHT	2
10	91263	HOSE, HYD, ON/OFF CCS VALVE TO AGITATOR MTR	1
11	TB90722	MANIFOLD, SELECTOR W/FITTINGS	1
12	2603-08-08-08	TEE, #8JIC MALE x #8JIC MALE x #8 JIC MALE	1
13	6400-06-06	FITTING, #6JIC MALE TO #6 O-RING MALE	1
14	6400-08-10	FITTING, STRAIGHT, #8 JIC MALE TO #10 O-RING	1
15	6400-12-12	FITTING, #12 JIC MALE X #12 O-RING MALE	1
16	6402-06-06	FITTING, #6 OR-ING X #6JIC FEMALE SWIVEL	1
17	6402-10-12	FITTING, #10 O-RING X #12 JIC FEMALE SWIVEL	1
18	6500-06-06	ELBOW, #6 JIC MALE X #6 JIC FEMALE SWIVEL	6
19	6500-12-12	ELBOW, #12 JIC MALE X #12 JIC FEMALE	1
20	6505-06-06	FITTING, #6 JIC FEMALE SWIVEL X 3/8"NPT (PIPE)	1
21	6600-06-06-06	TEE, #6 JIC MALE X #6 JIC MALE X #6JICF SWIVEL	2
22	6602-12-12-12	TEE, JIC SWIVEL RUN	2
23	6803-12-12-12	TEE, #12JIC MALE X #12 JIC MALE X #12 O-RING	1
24	71534	VALVE, CHECK, CENTRAL FILL(FA-C1220-S)	1
25	91234-01	FLOW CONTROL	1
26	91234-03	BLOCK PRESSURE REGULATOR	1
27	91234-04	PRESSURE REGULATOR	1
28	91264	HOSE, HYD, AGITATOR MOTOR RETURN	1



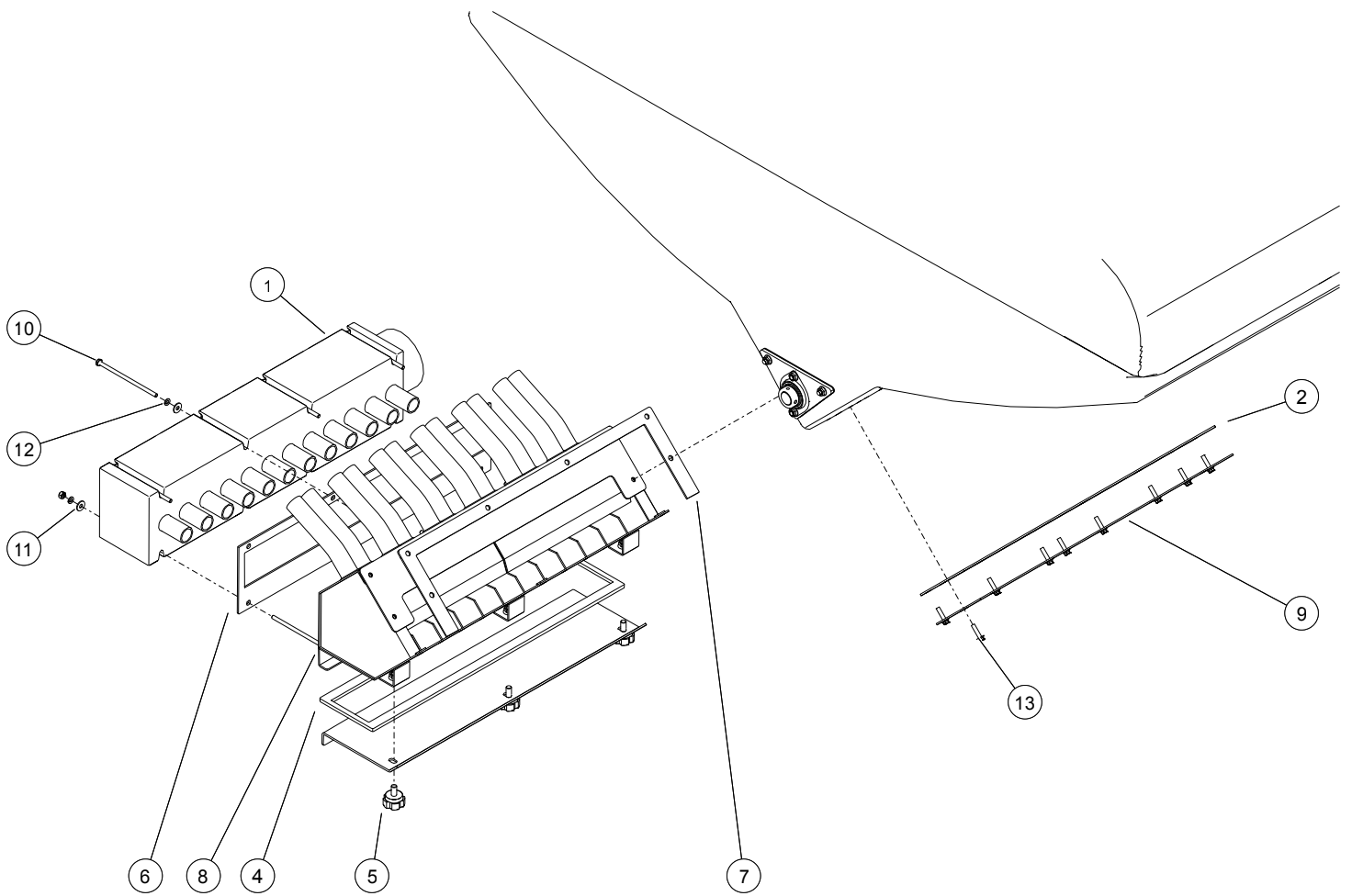
N°	REF.	DESCRIPTION	Qty
1	6400-08-16	FITTING, #8 JIC MALE TO #16 O-RING, MALE	1
2	6400-12-16	FITTING, #12 JIC MALE X #16 O-RING MALE	1
3	6408-16	PLUG, #16 O-RING	1
4	6801-12-16	ELBOW, #12 JIC MALE X #16 O-RING MALE	1
5	71532	COIL, SOLENOID, SELECTOR VALVE	2
6	71533	VALVE, CARTRIDGE, SELECTOR, NC	1
7	71540	BLOCK, HYD, SELECTOR VALVE, CENTRAL FILL	1
8	71541	VALVE, CARTRIDGE, SELECTOR, N/O	1
9	71542A	PLATE, VALVE MOUNT, CENTRAL FILL	1
10	90712	HARNESS, CENTRAL FILL VALVE CONTROL	1
11	40312	WASHER, LOCK, #10 SPRING, ZINC	4
12	40036	BOLT, 5/16-18UNC X 3" HEX, GRD 5, ZINC	2
13	40059	NUT, 5/16-18UNC, HEX FLANGE, GRD 5, ZINC	2
14	40313	NUT, #10-24UNC, HEX, ZINC	4
15	40314	SCREW, #10-24 X 1/2" X SLOTTED HEAD, ZINC	6



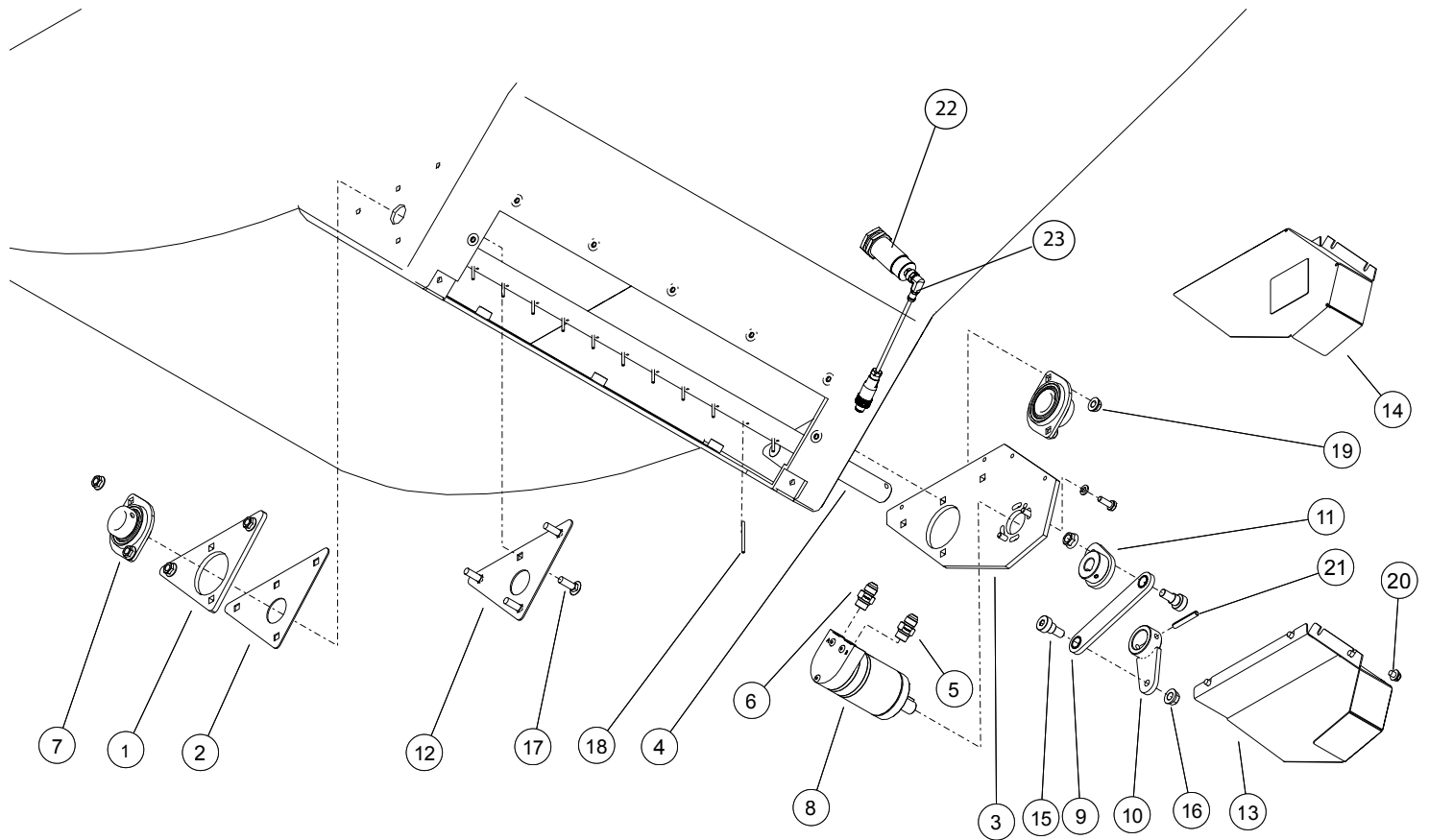
Nº	REF.	DESCRIPTION	Qty
1	71468	HOPPER, LEFT, CENTRAL FILL	1
2	71469	HOPPER, RIGHT, CENTRAL FILL	1
3	TB91113	HOPPER LID ASSY, FOLDING, CCS	2



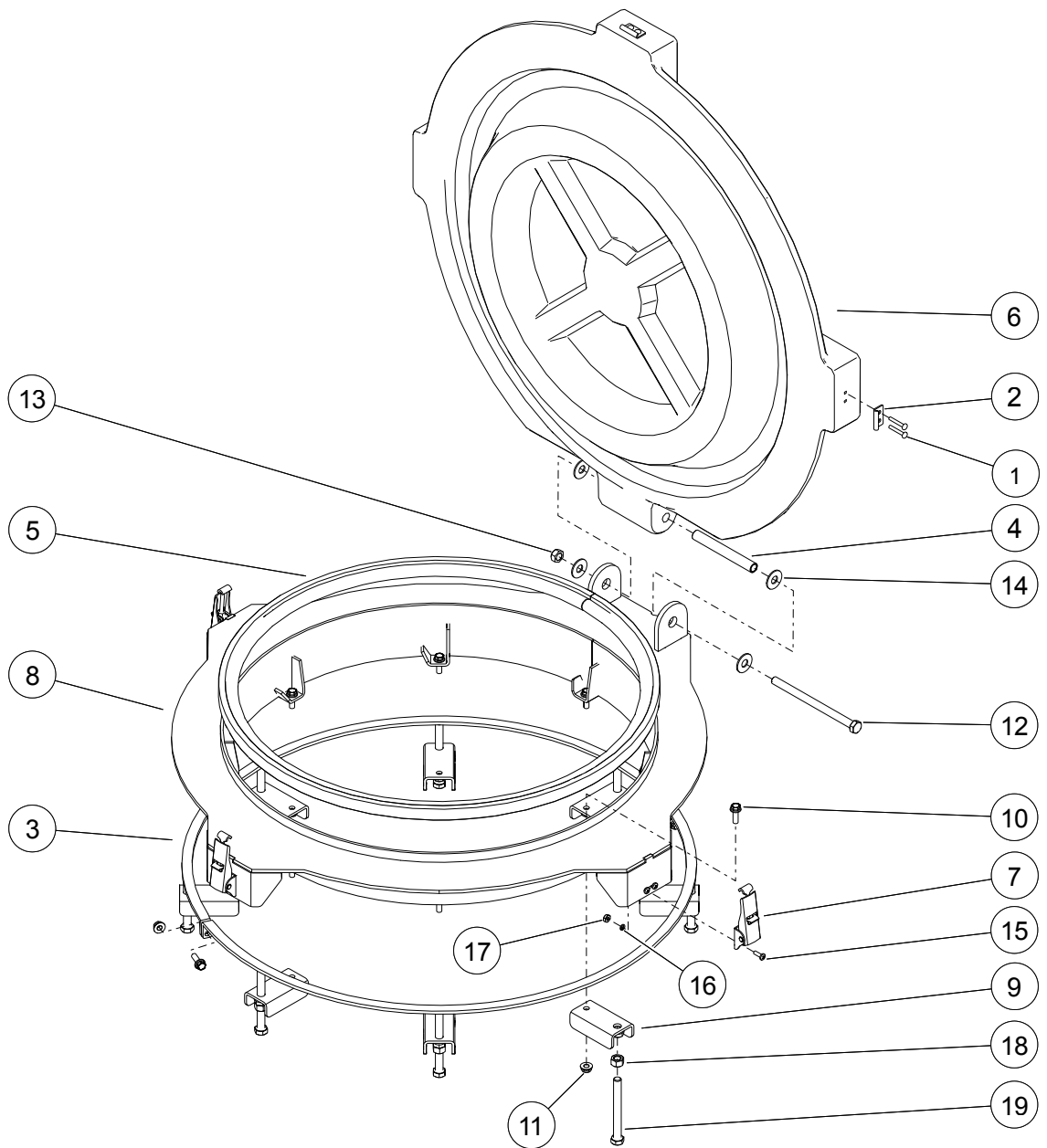
Nº	Cant.	Referencia	Rev.	Descripción
1	2	MO-101761	R-01	CONJUNTO REGISTRO CCS HARVEST
2	2	PS-201717-D	R-01	BOCA VACIADO DER CCS HARVEST
3	2	PS-201717-I		BOCA VACIADO IZQ CCS HARVEST
4	16	9021 6 BI	R-02	ARANDELA PLANA DIN 9021 M6 BI
5	16	FE-614108	R-01	POMO M6 MACHO 20MM INOX



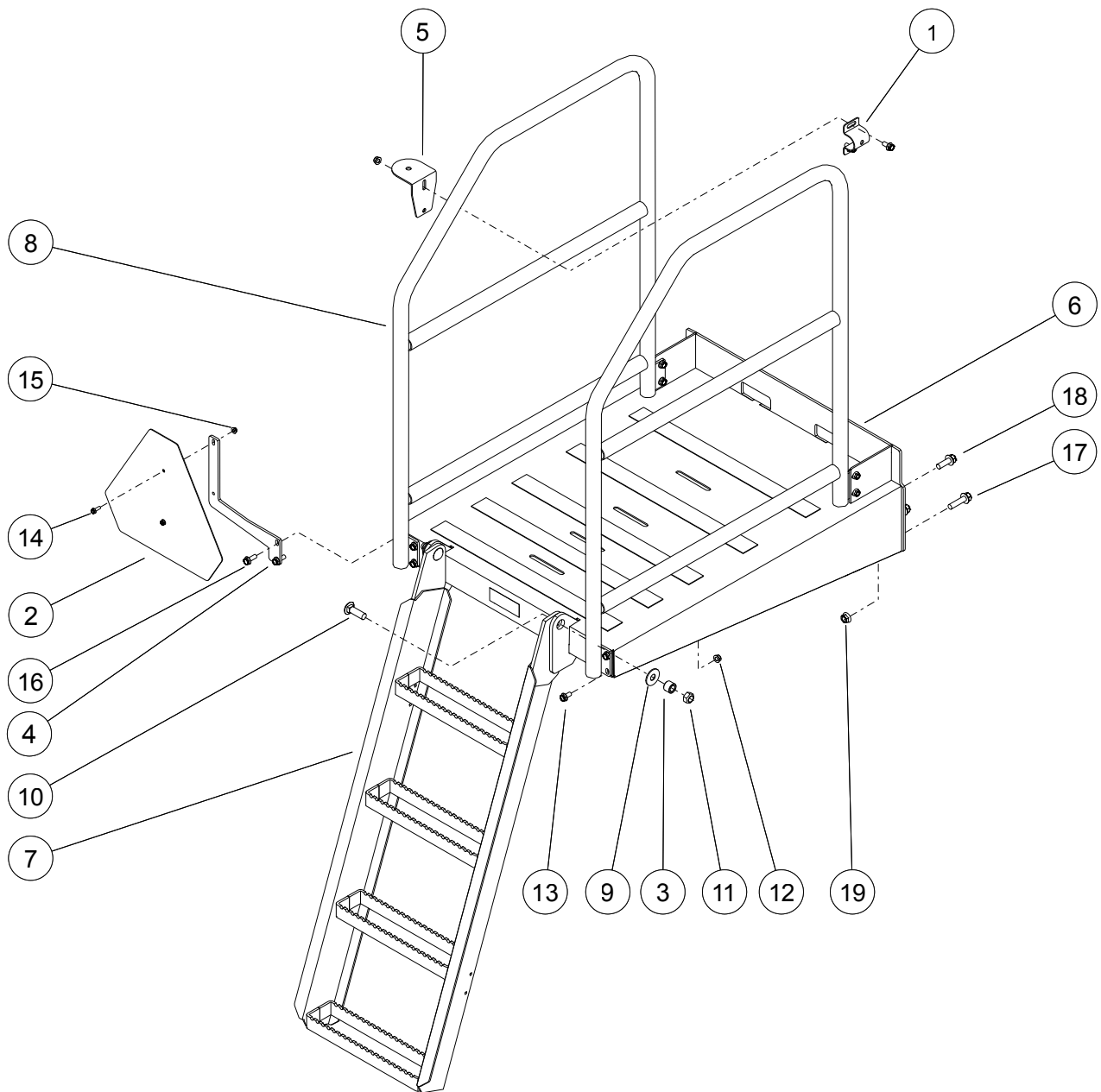
N°	REF.	DESCRIPTION	Qty
1	71458	AIR BOX, SEED DELIVERY	2
2	71622	GASKET, COVER PLATE, CENTRAL FILL	2
3	71629	PLATE, CLEAN OUT	2
4	71630	GASKET, CLEAN OUT	2
5	CO-241720	POMO MACHO UNC 3/8-16 X 3/4" NEGRO (71467)	6
6	71631	GASKET, AIRBOX/PLENUM	2
7	71624	GASKET, PLENUM/HOPPER	2
8	90700	PLENUM, SEED DELIVERY, CENTRAL FILL	2
9	71623A	PLATE, COVER, CENTRAL FILL	2
10	40317	BOLT, 1/4-20UNC X 5-1/2", HEX, GRD 5, ZINC	16
11	40067	WASHER, FLAT, 1/4", ZINC	16
12	40125	WASHER, LOCK, 1/4" SPLIT, ZINC	16
13	40111	BOLT, 1/4-20UNC X 1" HEX FLANGE, GRD 5, ZINC	20



Nº	REF.	DESCRIPTION	Qty
1	72329	PLATE, AGITATOR MOUNT-OUTER	1
2	72330	GASKET, AGITATOR SEAL	1
3	72332	PLATE, AGITATOR/MOTOR MOUNT PLATE, INNER	1
4	72335	AGITATOR SHAFT	1
5	6400-06-06	FITTING, #6JIC MALE TO #6 O-RING MALE	1
6	6400R-06-06-031	FITTING, #6JIC MALE TO #6 O-RING MALE, WITH .03125" ORIFICE	1
7	CO-241721	RODAMIENTO CON SOPORTE 1" 2 TORNILLOS W/FAFNIR (30551)	2
8	CO-241705	MOTOR ACCIONAMIENTO AGITADOR CCM HARVEST	1
9	91222	LINK, AGITATOR ARM, CCS	1
10	91223	ARM, AGITATOR, LONG, CCS	1
11	91224	ARM, AGITATOR, SHORT, CCS	1
12	72331	PLATE, AGITATOR MOUNT PLATE, INNER	2
13	91225	GUARD ASSY RIGHT, AGITATOR, CCS	1
14	91226	GUARD ASSY LEFT, AGITATOR, CCS	1
15	11448	BOLT, 1/2" DIA. X 3/8" SHOULDER, 3/8-16UNC X 5/8", SOCKET HEAD, ZINC	2
16	40056	NUT, 3/8-16UNC, HEX FLANGE, GRD 5, ZINC	2
17	40087	BOLT, 5/16-18UNC X 1", CARRIAGE, GRD 5, ZINC	8
18	40364	PIN, ROLL, 1/8" X 1-3/4", ZINC	12
19	40059	NUT, 5/16-18UNC, HEX FLANGE, GRD 5, ZINC	8
20	40367	BOLT, 1/4-20UNC X 1/4", HEX FLANGE, GRD 5, ZINC	4
21	40366	PIN, ROLL, 1/4 X 1-1/2", ZINC	1
22	FE-650269	DETECTOR CAPACITATIVO TOLVA M30	2
23	MV-021700	CONJ CABLE CONECTOR SENSOR TOLVA CCM ARGO	2

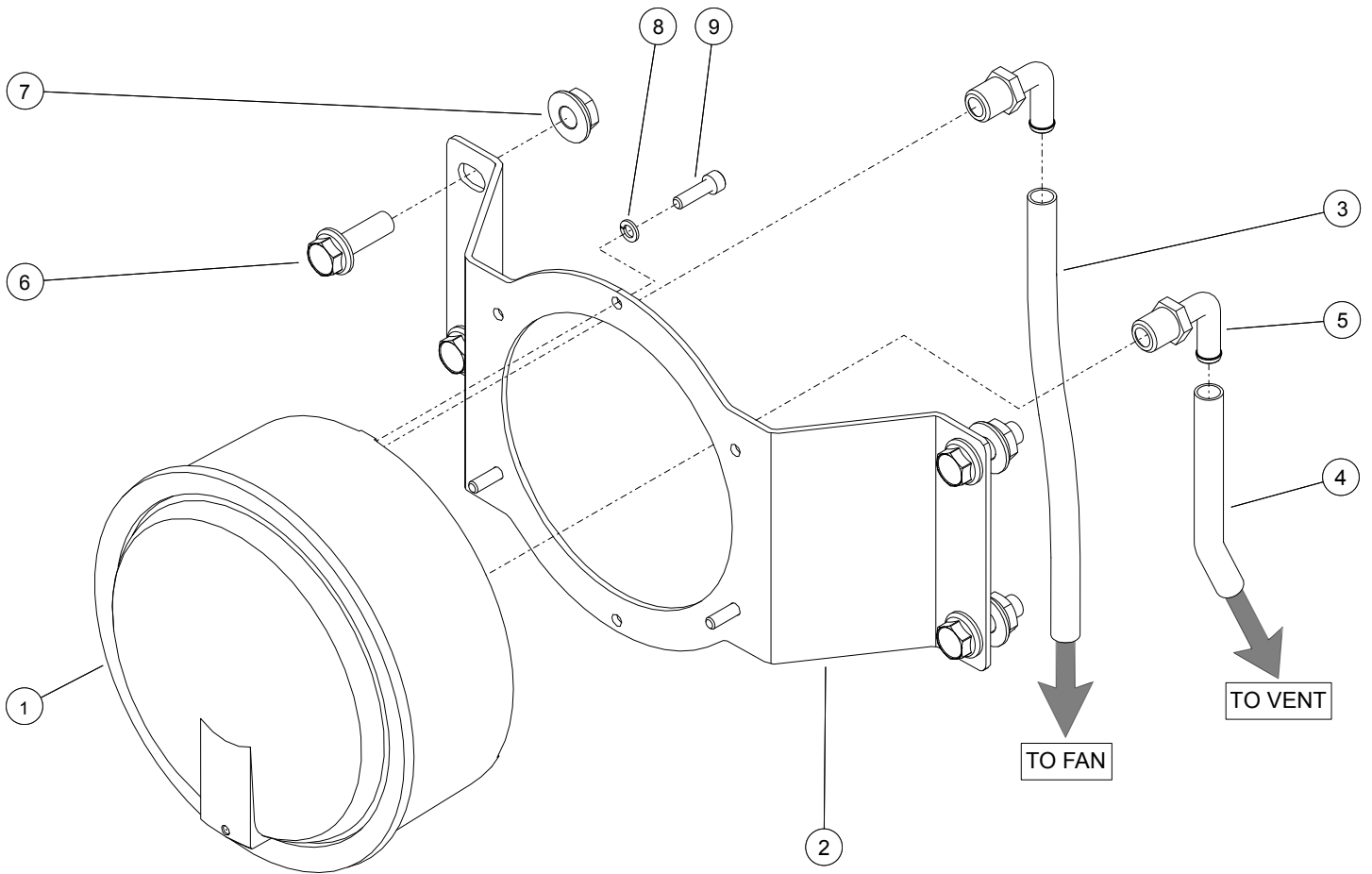


N°	REF.	DESCRIPTION	Qty
1	40357	RIVET, POP, .150" X 1", BLIND, ALUM.	6
2	72291	LATCH PLATE, CCS LID	3
3	72294A	RING, LID RETAIN, CCS, SPLIT	2
4	72296	BUSHING, LID HINGE	1
5	CO-031705	JUNTA TAPA TOLVA CCS (72298)	1
6	72300	LID, HOPPER, FOLDING	1
7	72292	LATCH, UNDER CENTER, CCS LID RETAIN	3
8	91113	BASE, CCS HOPPER LID	1
9	91116	CHANNEL ASSY, LID BASE RETAIN, CCS HINGE LID	8
10	40014	BOLT, 1/4-20UNC X 3/4" HEX FLANGE, GRD 5, ZINC	10
11	40049	NUT, 1/4-20UNC, HEX FLANGE, GRD 5, ZINC	10
12	40356	BOLT, 3/8-16UNC X 5-1/2", HEX, GRD 5, ZINC	1
13	40058	NUT, 3/8-16UNC, HEX, TOPLOCK, ZINC	1
14	40158	WASHER, FLAT, 3/8", ZINC	4
15	40185	SCREW, #8-32UNC X 1/2", PHILLIPS, ZINC	6
16	40301	WASHER, LOCK, #8, SPLIT, ZINC	6
17	40184	NUT, HEX, #8-32UNC, W/TOOTH WASHER, ZINC	6
18	40057	NUT, 3/8-16UNC, HEX, GRD 5, ZINC	8
19	40230	BOLT, 3/8-16UNC X 3-1/2", FT, HEX, GRD 5, ZINC	8

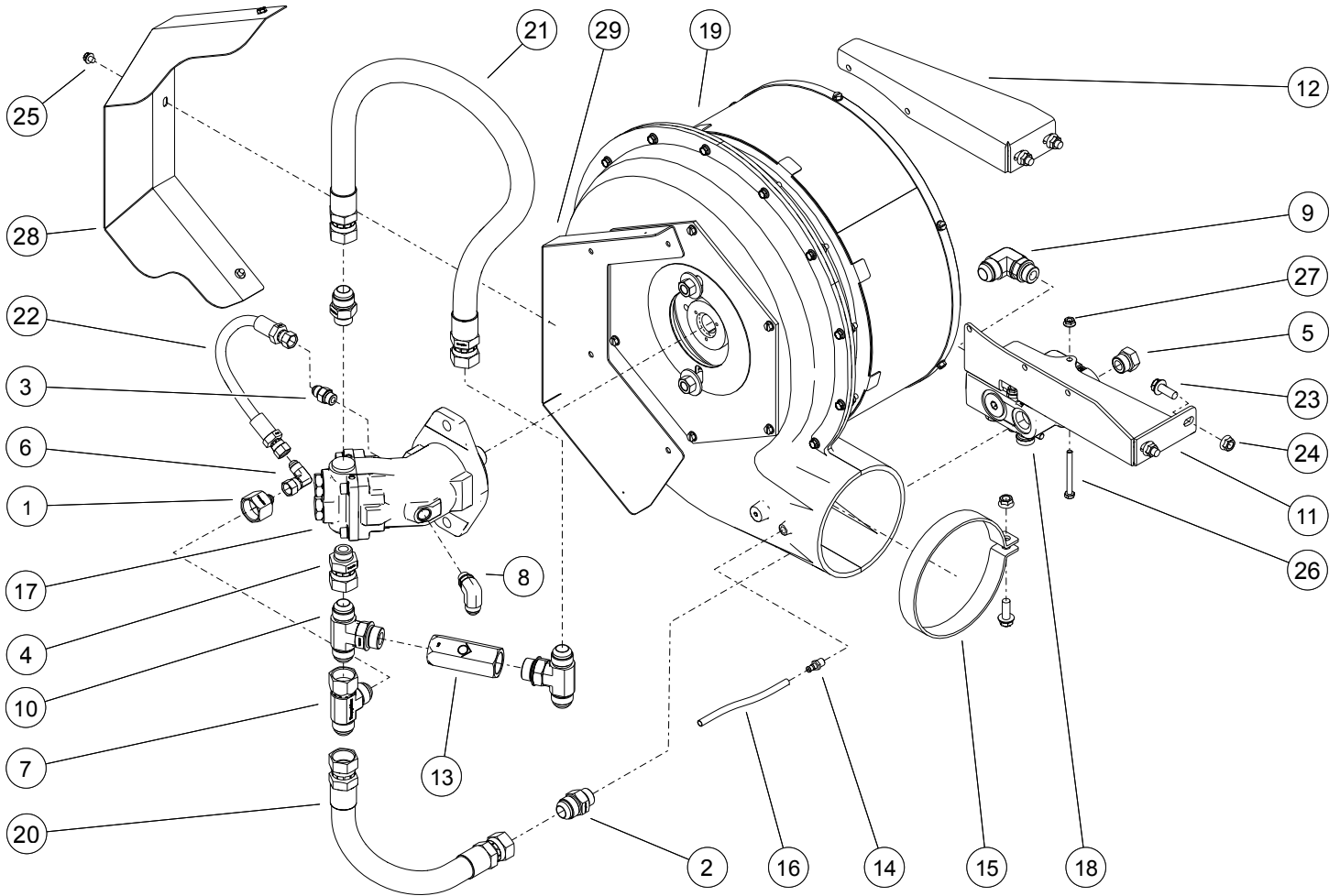


N°	REF.	DESCRIPTION	Qty
1	11110	CLAMP, 1-1/2"	1
2	70592	SMV SIGN (SLOW MOVING VEHICLE)	1
3	71521	BUSHING, LADDER HINGE	2
4	72352	SMV MNT BRACKET, CCS 2	1
5	72364	BRACKET, LIGHT MOUNT, HANDRAIL	1
6	PS-151790	PLATAFORMA ESCALERA HARVEST	1
7	90720	LADDER ASM, CENTRAL FILL	1
8	91230	HAND RAIL, PLATFORM	2
9	40070	WASHER, FLAT, 5/8" ZINC	2
10	40300	BOLT, 5/8-11UNC X 2, CARRIAGE, GRD 5, ZINC	2
11	40062	NUT, 5/8-11UNC, HEX, TOPLOCK, ZINC	2
12	40056	NUT, 3/8-16UNC, HEX FLANGE, GRD 5, ZINC	14
13	40030	BOLT, 3/8-16UNC X 3/4" HEX FLANGE, GRD 5, ZINC	12
14	40014	BOLT, 1/4-20UNC X 3/4" HEX FLANGE, GRD 5, ZINC	2
15	40049	NUT, 1/4-20UNC, HEX FLANGE, GRD 5, ZINC	2
16	40025	BOLT, 3/8-16UNC X 1" HEX FLANGE, GRD 5, ZINC	2
17	40127	BOLT, 1/2-13UNC X 2" HEX FLANGE, GRD 5, ZINC	4
18	40005	BOLT, 1/2-13UNC X 1-1/2" HEX FLANGE, GRD 5, ZINC	2
19	40047	NUT, 1/2-13UNC, HEX FLANGE, GRD 5, ZINC	6

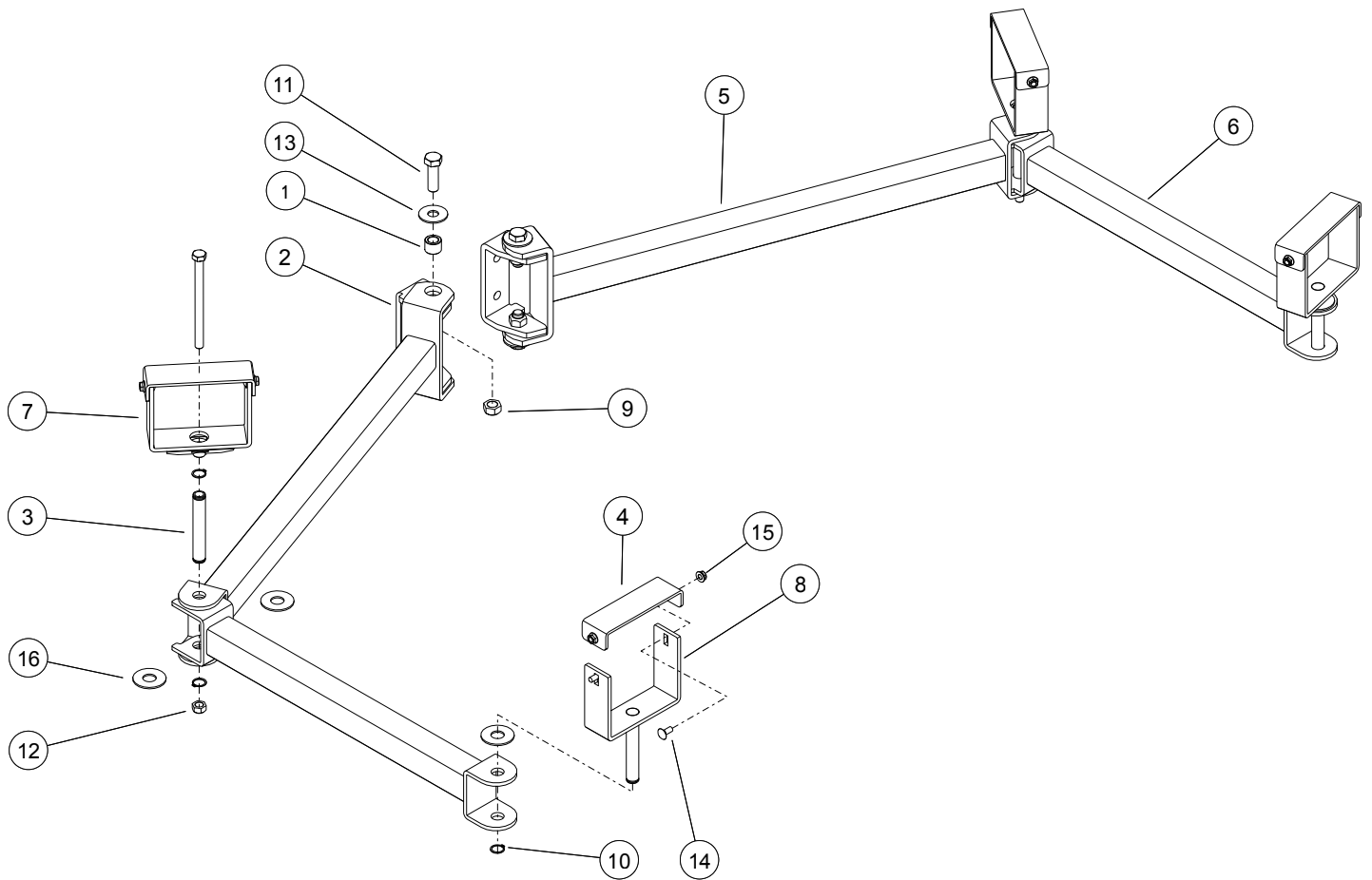




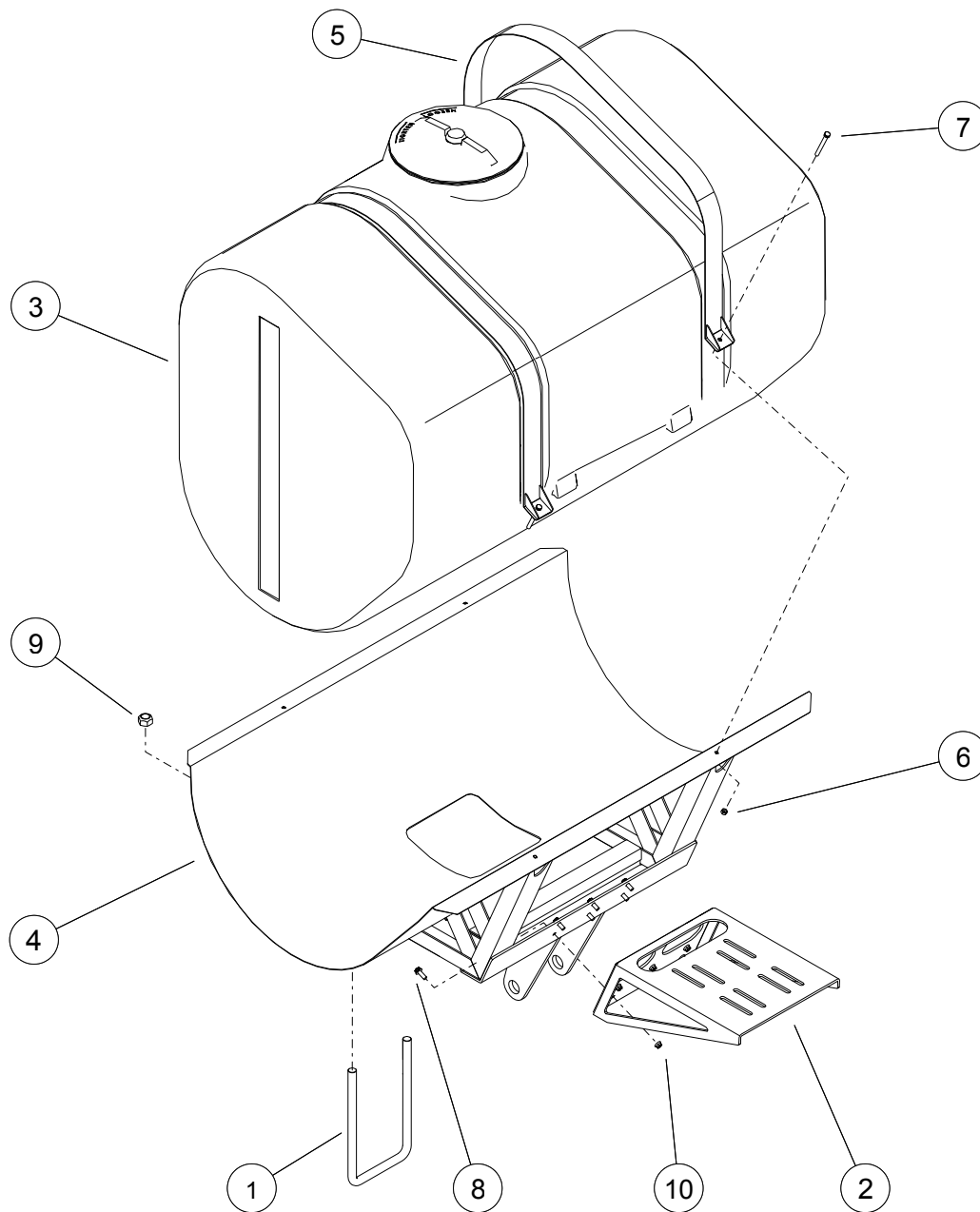
N°	REF.	DESCRIPTION	Qty
1	71537	GAGE, MAGNEHELIC	1
2	71545	BRACKET, MAGNAHELIC MOUNT	1
3	71639	HOSE, 1/4" X 72" CLEAR VINYL, MAGNAHELIC CONTROL	1
4	71640	HOSE, 1/4" X 12" CLEAR VINYL, MAGNAHELIC VENT	1
5	72014	HOSE BARB, 90 DEGREE ELBOW, 1/8" NPT TO 1/4" HOSE	2
6	40014	BOLT, 1/4-20UNC X 3/4" HEX FLANGE, GRD 5, ZINC	4
7	40049	NUT, 1/4-20UNC, HEX FLANGE, GRD 5, ZINC	4
8	40322	WASHER, LOCK, #6, SPLIT, ZINC	3
9	40321	SCREW, #6-32 X 1/2", SOCKET HD, ZINC	3



N°	REF.	DESCRIPTION	Qty
1	2406-12-06	REDUCER, #12JIC FEMALE X #6JIC MALE	1
2	6400-12-10	FITTING, #12JIC MALE X #10 O-RING MALE	2
3	6400R-06-06-031	FITTING, #6JIC MALE TO #6 O-RING MALE, WORIFICE	1
4	6402-10-12	FITTING, #10 O-RING X #12 JIC FEMALE SWIVEL	1
5	6408-10	PLUG, #10 O-RING	1
6	6500-06-06	ELBOW, #6 JIC MALE X #6 JIC FEMALE SWIVEL	1
7	6602-12-12-12	TEE, JIC SWIVEL RUN	1
8	6801-08-06	ELBOW, #8 JIC MALE TO #6 O-RING MALE, 90 DEG	1
9	6801-12-10	ELBOW, #12JIC MALE X 10 O-RING MALE	1
10	6803-12-12-12	TEE, #12JIC MALE X #12 JIC MALE X #12 O-RING	2
11	71526B	BRACKET, FAN MNT, LEFT, FOR BRAND FLOW CONTROL	1
12	71527	BRACKET, FAN MNT, RIGHT	1
13	71534	VALVE, CHECK, CENTRAL FILL(FA-C1220-S)	1
14	71538	HOSE BARB, 1/8" NPT x 1/4" STRAIGHT, NYLON	1
15	71539	CLAMP, 6"	1
16	71639	HOSE, 1/4" X 72" CLEAR VINYL, MAGNAHELIC CONTROL	1
17	CO-111750	MOTOR TURBINA HARVEST MA-10-C-K1-Q0-U2-0-0-SV-F	1
18	90860	FLOW CONTROL, (BRAND FC51-10SAE)	1
19	90721-02	FAN ASSY, NO MOTOR, CENTRAL FILL	1
20	90730B	HOSE, HYD, FLOW CONTROL VALVE TO FAN MOTOR	1
21	90731A	HOSE, HYD, 3/4" X 22", #12 JICF BOTH ENDS	1
22	91228	HOSE, HYD, COOLING CIRCUIT, FAN CCS 2	1
23	40026	BOLT, 3/8-16UNC X 1" HEX FLANGE, GRD 5, ZINC	5
24	40056	NUT, 3/8-16UNC, HEX FLANGE, GRD 5, ZINC	5
25	40367	BOLT, 1/4-20UNC X 1/4", HEX FLANGE, GRD 5, ZINC	3
26	40273	BOLT, 1/4-20UNC X 2-1/2" HEX, GRD 5 ZINC	2
27	40049	NUT, 1/4-20UNC, HEX FLANGE, GRD 5, ZINC	2
28	72358	SHIELD, FAN, CCS 2	1
29	72359	SHIELD MNT, FAN, CCS 2	1

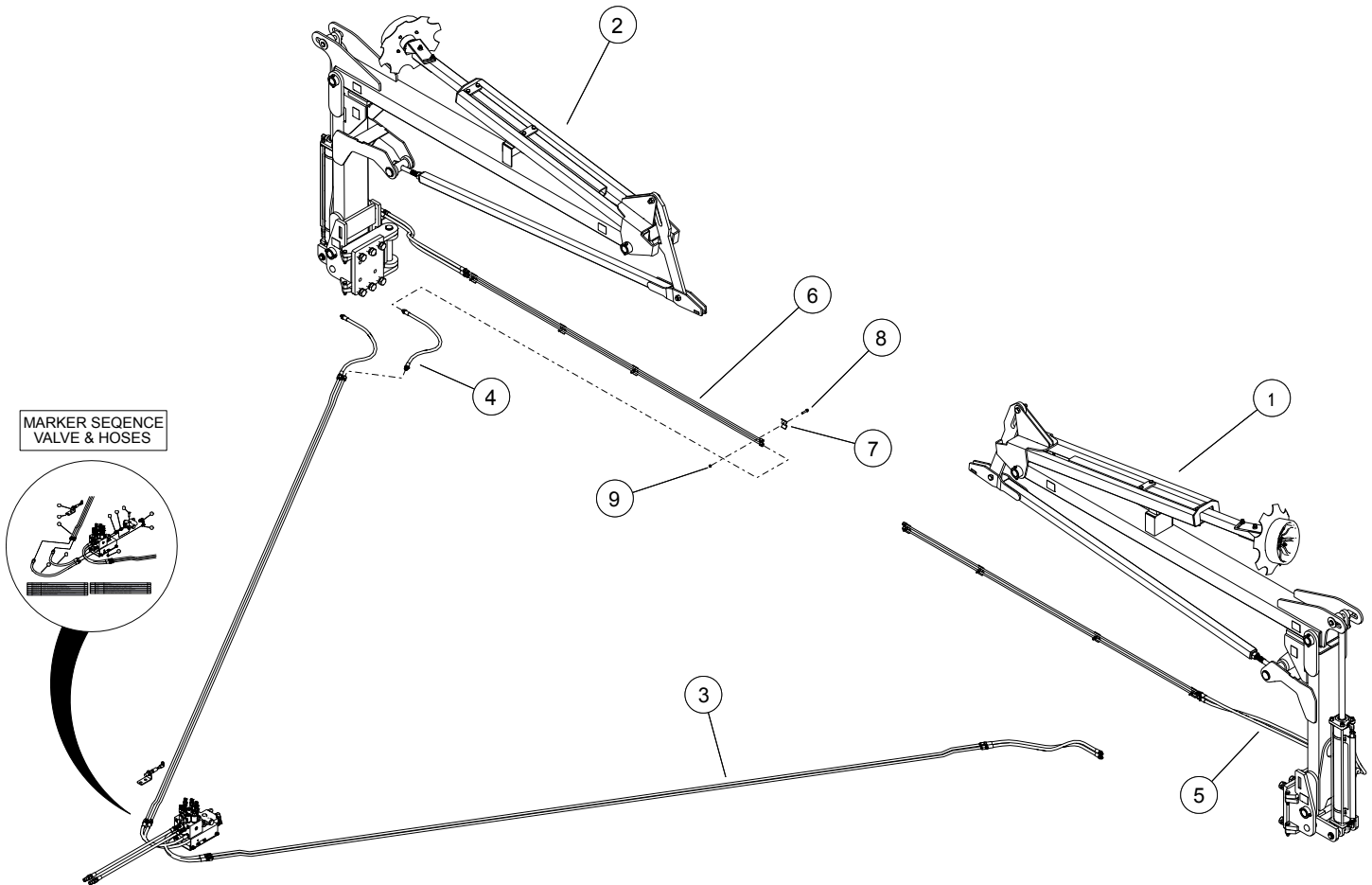


N°	REF.	DESCRIPTION	Qty
1	71521	BUSHING, LADDER HINGE	4
2	71604	PIVOT, HOSE SUPPORT ARM	2
3	71618A	PIN, HOLLOW, HOSE SUPPORT PIVOT	2
4	71621	HOSE HOLD DOWN	4
5	90776A	ARM, HOSE SUPPORT, CCS 2	2
6	90777	ARM, SUPPORT, 6 HOSE, PIVOT	2
7	90778A	HOSE GUIDE, PIVOT, INNER	2
8	90779	HOSE GUIDE, PIVOT, OUTER	2
9	40062	NUT, 5/8-11UNC, HEX, TOPLOCK, ZINC	4
10	40244	SNAP RING, 3/4" EXTERNAL, HD	6
11	40108	BOLT, 5/8-11UNC X 2" HEX, GR5, ZINC	4
12	40048	NUT, 1/2-13UNC, HEX, TOPLOCK, ZINC	2
13	40070	WASHER, FLAT, 5/8" ZINC	4
14	40037	BOLT, 5/16-18UNC X 3/4" CARRIAGE, GRD 5, ZINC	8
15	40059	NUT, 5/16-18UNC, HEX FLANGE, GRD 5, ZINC	8
16	40068	WASHER, FLAT, 3/4", ZINC	6

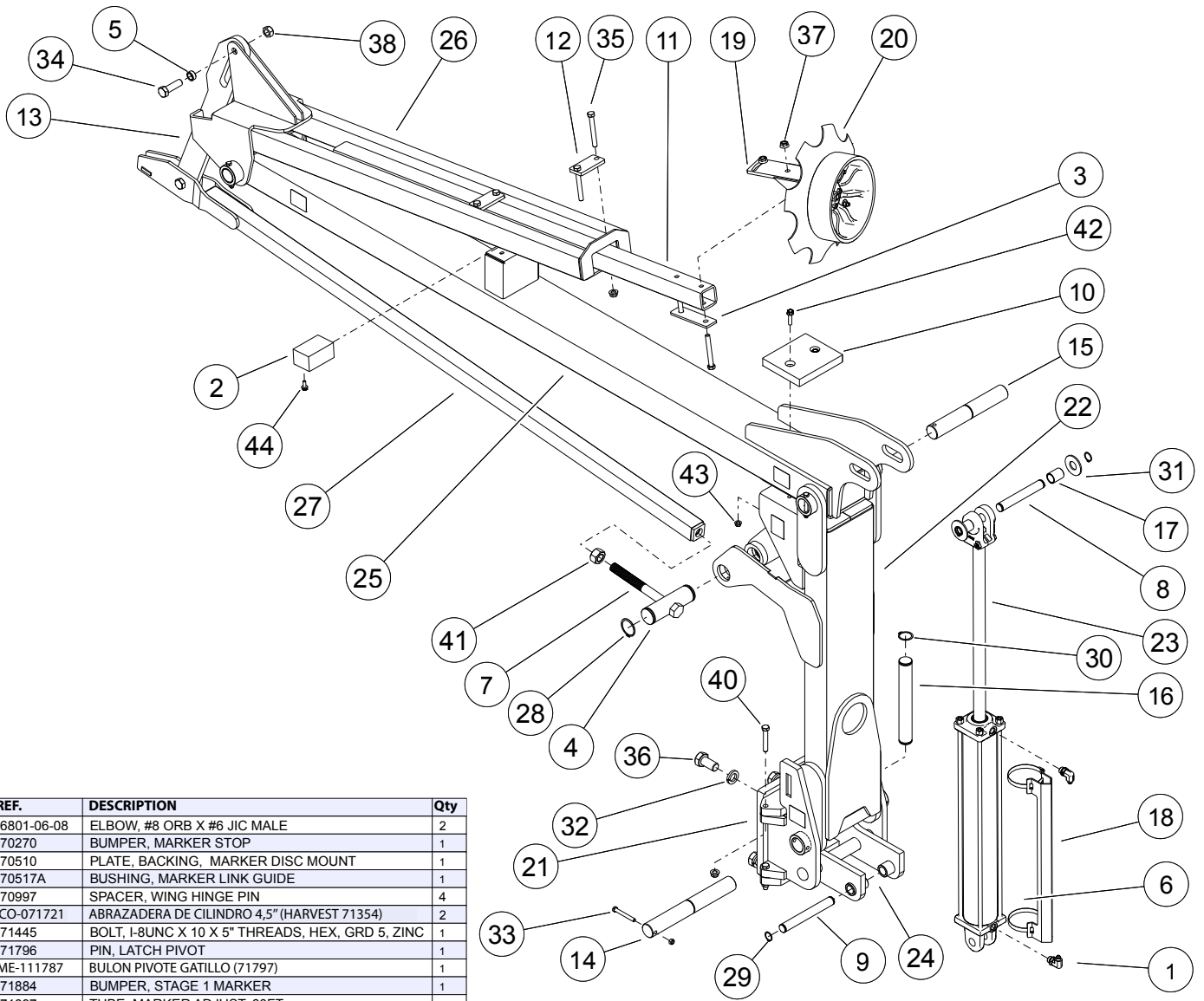


N°	REF.	DESCRIPTION	Qty
1	70331	U-BOLT, FERT DECK MOUNT, TONGUE	1
2	71649	BRACKET PUMP MOUNT	1
3	90784	TANK & LID ASSY, TD300 POLY, WHITE, 3/4" & 1-1/4" FEMALE PIPE FITTINGS	1
4	90781A	CRADDLE TD300, ULTRAPLANT 40	1
5	90782	STRAP, BAND, TD300	2
6	40058	NUT, 3/8-16UNC, HEX, TOPLOCK, ZINC	4
7	40230	BOLT, 3/8-16UNC X 3-1/2", FULLY THEADED, HEX, GRD 5, ZINC	4
8	40025	BOLT, 3/8-16UNC X 1" HEX FLANGE, GRD 5, ZINC	6
9	40236	NUT, 7/8-14UNF, HEX, TOPLOCK, ZINC	2
10	40056	NUT, 3/8-16UNC, HEX FLANGE, GRD 5, ZINC	6

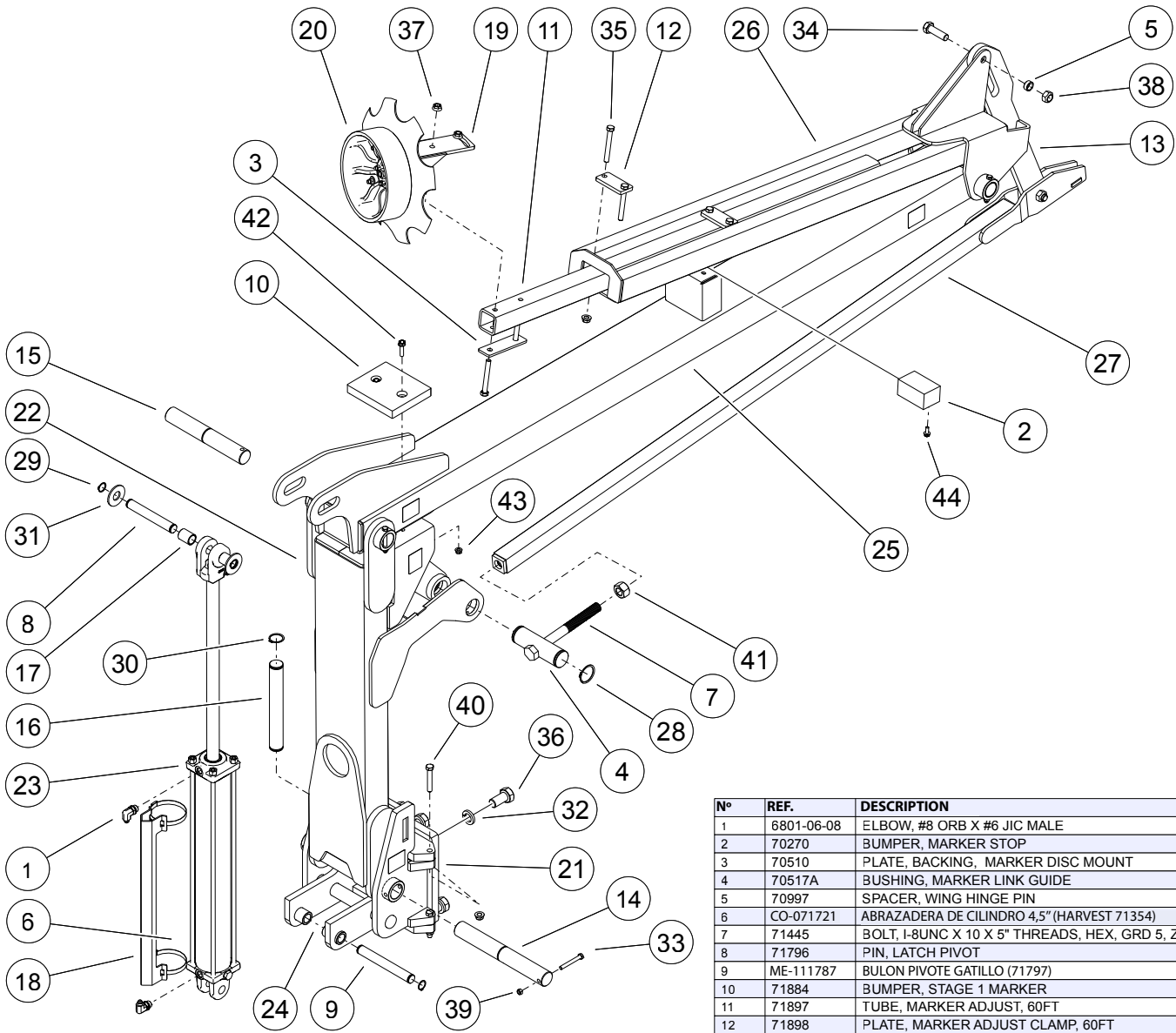
# CENTER TRACTOR MARKER CO-111739



N°	REF.	DESCRIPTION	Qty
1	TB91118L	MARKER ASM, LEFT, 40 SERIES	1
2	TB91118R	MARKER ASM, RIGHT, 40 SERIES	1
3	90929	STEEL HYD LINE, DRAFT TUBE, 1/2", 40 SERIES	4
4	90583	HOSE, MARKER, DRAFT TUBE-WING	4
5	90943	HOSE, HYD, 3/8" x 85" #6 JICM TO #6 JICF	4
6	91267	TUBE ASM, HYD, WING, MARKER, 3/8", 40FT	4
7	71373	BRACKET, HOLD DOWN, STEEL HYD LINE	10
8	40097	BOLT, 5/16-18UNC X 1-1/2", HEX, GRD 5, ZINC	10
9	40060	NUT, 5/16-18UNC, HEX, TOPLOCK, ZINC	10

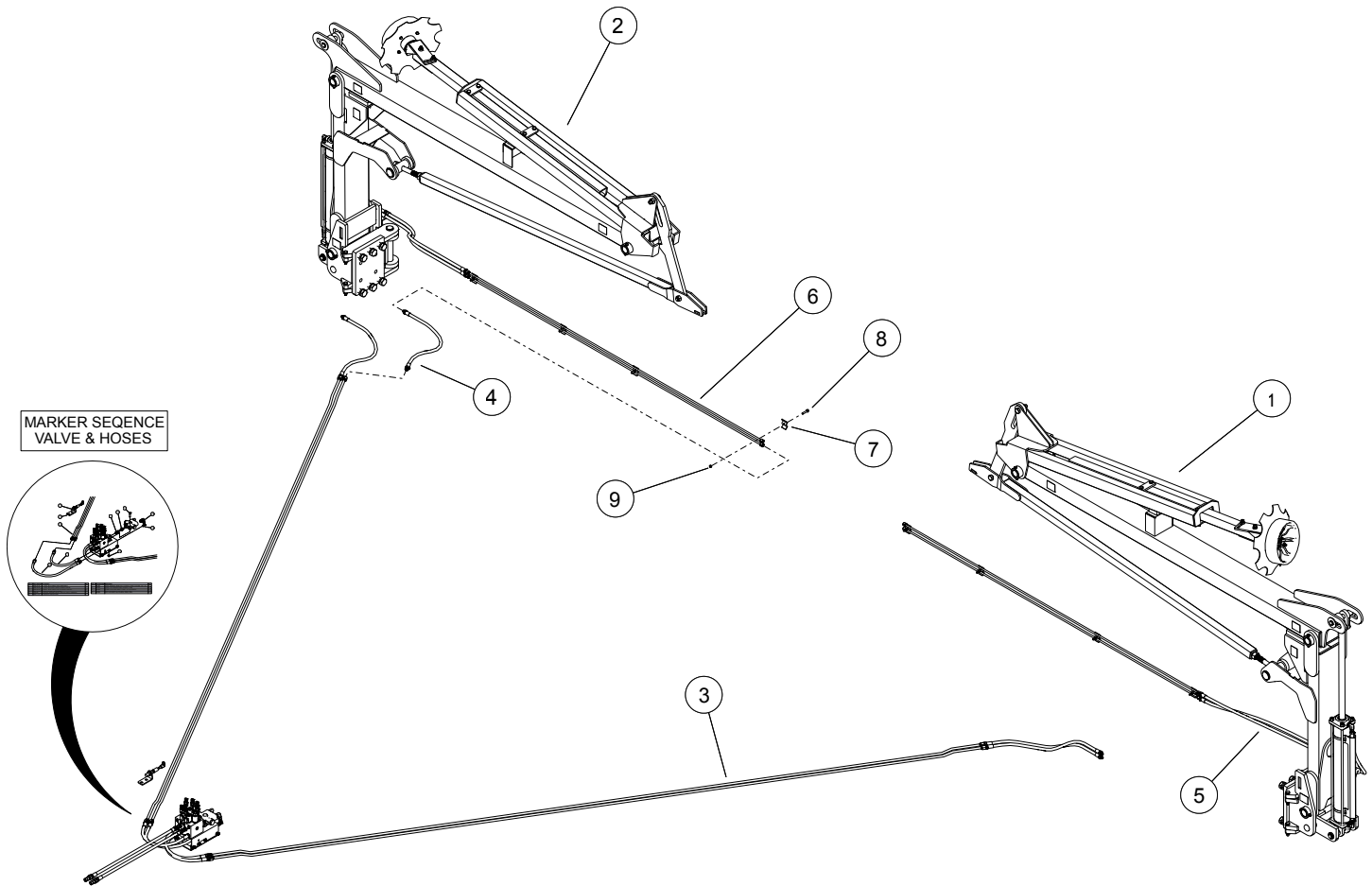


N°	REF.	DESCRIPTION	Qty
1	6801-06-08	ELBOW, #8 ORB X #6 JIC MALE	2
2	70270	BUMPER, MARKER STOP	1
3	70510	PLATE, BACKING, MARKER DISC MOUNT	1
4	70517A	BUSHING, MARKER LINK GUIDE	1
5	70997	SPACER, WING HINGE PIN	4
6	CO-071721	ABRAZADERA DE CILINDRO 4.5" (HARVEST 71354)	2
7	71445	BOLT, 1-8UNC X 10 X 5" THREADS, HEX, GRD 5, ZINC	1
8	71796	PIN, LATCH PIVOT	1
9	ME-111787	BULON PIVOTE GATILLO (71797)	1
10	71884	BUMPER, STAGE 1 MARKER	1
11	71897	TUBE, MARKER ADJUST, 60FT	1
12	71898	PLATE, MARKER ADJUST CLAMP, 60FT	2
13	71900	LINK, STAGE 2 TO 3, MARKER, 60FT	1
14	71941	PIN MARKER, BASE 60FT	1
15	71942	PIN, STAGE 2 60FT MARKER	2
16	71943	PIN, MARKER PIVOT, BASE, MARKER, 60FT	1
17	71944	BUSHING, SPACER/ROLLER, MARKER 60FT	2
18	71952	BRACKET, HOSE PROTECTOR, MARKER, 60FT	1
19	90083	BRACKET, MARKER DISC MNT ASM	1
20	90119	MARKER DISC ASSEMBLY	1
21	90907	MARKER MNT BASE, 40FT	1
22	90909	MARKER ARM, STAGE 1, 40FT	1
23	90912	CYLINDER, 3.5X24, TIE ROD	1
24	90937	MARKER, BASE, LEFT, 40FT	1
25	91119	MARKER ARM, STAGE 2, 40FT	1
26	91120	MARKER ARM, STAGE 3, 40FT	1
27	91121	LINK, LONG, MARKER, 40FT	1
28	40276	SNAP RING, 2" HD, EXTERNAL	2
29	40234	SNAP RING, HD, 1" EXTERNAL	4
30	40233	SNAP RING, 1.5", EXTERNAL	2
31	40065	WASHER, FLAT, 1", ZINC	2
32	40334	WASHER, LOCK, 1" SPLIT, ZINC	6
33	40333	BOLT, 3/8-16UNC X 3", GRD 5, HEX, ZINC	3
34	40020	BOLT, 3/4-10UNC X 2-1/2" HEX, GRD 5, ZINC	2
35	40086	BOLT, 1/2-13UNC X 4, HEX, GRD 5, ZINC	6
36	40016	BOLT, 1-8UNC X 2 HEX, GRD 5, ZINC	6
37	40047	NUT, 1/2-13UNC, HEX FLANGE, GRD 5, ZINC	8
38	40055	NUT, 3/4-10UNC, HEX, TOPLOCK, ZINC	2
39	40058	NUT, 3/8-16UNC, HEX, TOPLOCK, ZINC	3
40	40010	BOLT, 1/2-13UNC X 3" HEX, GRD5, ZINC	2
41	40080	NUT, 1-8UNC, HEX, GRD 5, ZINC	1
42	40034	BOLT, 3/8-16UNC X1-1/2" HEX FLANGE, GRD 5, ZINC	2
43	40056	NUT, 3/8-16UNC, HEX FLANGE, GRD 5, ZINC	2
44	40038	BOLT, 5/16-18UNC X 3/4" HEX FLANGE, GRD 5, ZINC	2



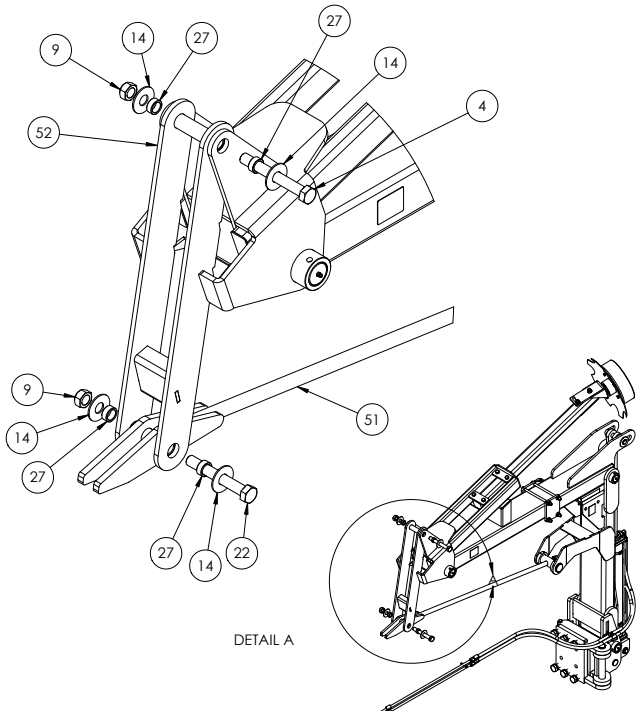
Nº	REF.	DESCRIPTION	Qty
1	6801-06-08	ELBOW, #8 ORB X #6 JIC MALE	2
2	70270	BUMPER, MARKER STOP	1
3	70510	PLATE, BACKING, MARKER DISC MOUNT	1
4	70517A	BUSHING, MARKER LINK GUIDE	1
5	70997	SPACER, WING HINGE PIN	4
6	CO-071721	ABRAZADERA DE CILINDRO 4,5" (HARVEST 71354)	2
7	71445	BOLT, 1-8UNC X 10 X 5" THREADS, HEX, GRD 5, ZINC	1
8	71796	PIN, LATCH PIVOT	1
9	ME-111787	BULON PIVOTE GATILLO (71797)	1
10	71884	BUMPER, STAGE 1 MARKER	1
11	71897	TUBE, MARKER ADJUST, 60FT	1
12	71898	PLATE, MARKER ADJUST CLAMP, 60FT	2
13	71900	LINK, STAGE 2 TO 3, MARKER, 60FT	1
14	71941	PIN MARKER, BASE 60FT	1
15	71942	PIN, STAGE 2 60FT MARKER	2
16	71943	PIN, MARKER PIVOT, BASE, MARKER, 60FT	1
17	71944	BUSHING, SPACER/ROLLER, MARKER 60FT	2
18	71952	BRACKET, HOSE PROTECTOR, MARKER, 60FT	1
19	90083	BRACKET, MARKER DISC MNT ASM	1
20	90119	MARKER DISC ASSEMBLY	1
21	90907	MARKER MNT BASE, 40FT	1
22	90909	MARKER ARM, STAGE 1, 40FT	1
23	90912	CYLINDER, 3.5X24, TIE ROD	1
24	90908	MARKER, BASE, RIGHT, 40FT	1
25	91119	MARKER ARM, STAGE 2, 40FT	1
26	91120	MARKER ARM, STAGE 3, 40FT	1
27	91121	LINK, LONG, MARKER, 40FT	1
28	40276	SNAP RING, 2" HD, EXTERNAL	2
29	40234	SNAP RING, HD, 1" EXTERNAL	4
30	40233	SNAP RING, 1.5", HEAVY DUTY, EXTERNAL	2
31	40065	WASHER, FLAT, 1", ZINC	2
32	40334	WASHER, LOCK, 1" SPLIT, ZINC	6
33	40333	BOLT, 3/8-16UNC X 3", GRD 5, HEX, ZINC	3
34	40020	BOLT, 3/4-10UNC X 2-1/2" HEX, GRD 5, ZINC	2
35	40086	BOLT, 1/2-13UNC X 4, HEX, GRD 5, ZINC	4
36	40016	BOLT, 1-8UNC X 2 HEX, GRD 5, ZINC	6
37	40047	NUT, 1/2-13UNC, HEX FLANGE, GRD 5, ZINC	8
38	40055	NUT, 3/4-10UNC, HEX, TOPLOCK, ZINC	2
39	40058	NUT, 3/8-16UNC, HEX, TOPLOCK, ZINC	3
40	40010	BOLT, 1/2-13UNC X 3" HEX, GRD5, ZINC	2
41	40080	NUT, 1-8UNC, HEX, GRD 5, ZINC	1
42	40034	BOLT, 3/8-16UNC X 1-1/2" HEX FLANGE, GRD 5, ZINC	2
43	40056	NUT, 3/8-16UNC, HEX FLANGE, GRD 5, ZINC	2
44	40038	BOLT, 5/16-18UNC X 3/4" HEX FLANGE, GRD 5, ZINC	2

# CENTER WHEEL MARKER CO-111768

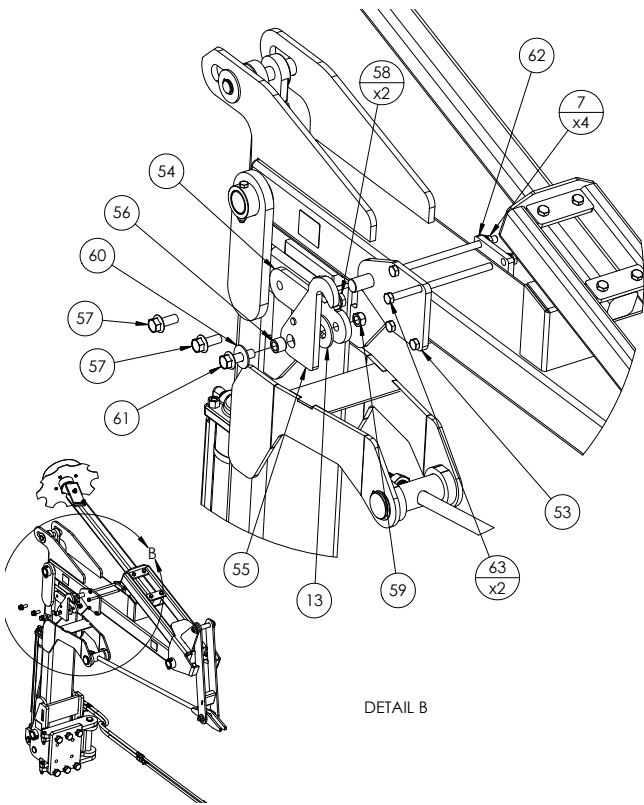


N°	REF.	DESCRIPTION	Qty
1	TB91550L	MARKER ASM, LEFT,	1
2	TB91550R	MARKER ASM, RIGHT,	1
3	90929	STEEL HYD LINE, DRAFT TUBE, 1/2", 40 SERIES	4
4	90583	HOSE, MARKER, DRAFT TUBE-WING	4
5	90943	HOSE, HYD, 3/8" x 85" #6 JICM TO #6 JICF	4
6	91267	TUBE ASM, HYD, WING, MARKER, 3/8", 40FT	4
7	71373	BRACKET, HOLD DOWN, STEEL HYD LINE	10
8	40097	BOLT, 5/16-18UNC X 1-1/2", HEX, GRD 5, ZINC	10
9	40060	NUT, 5/16-18UNC, HEX, TOPLOCK, ZINC	10



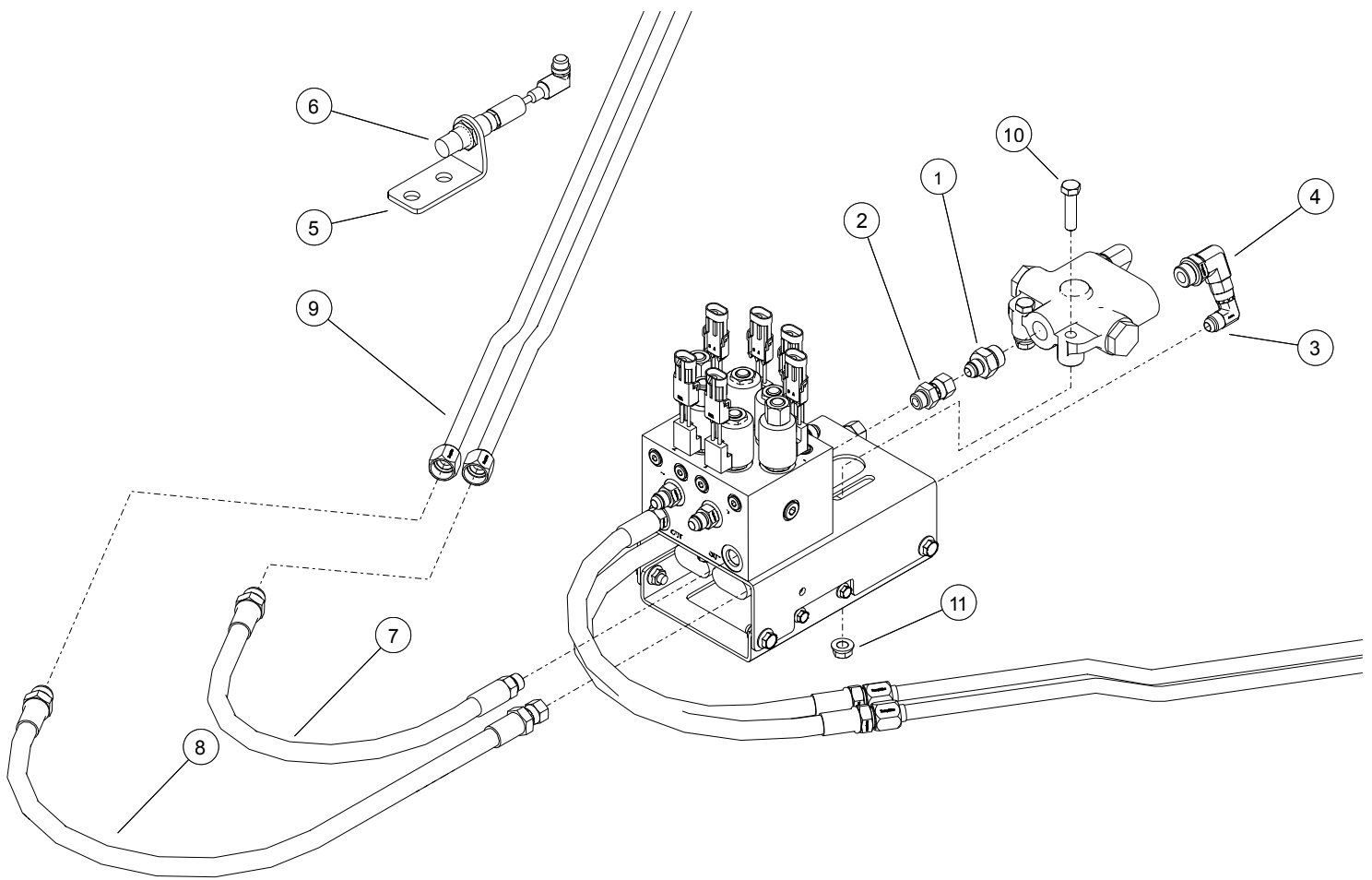


DETAIL A

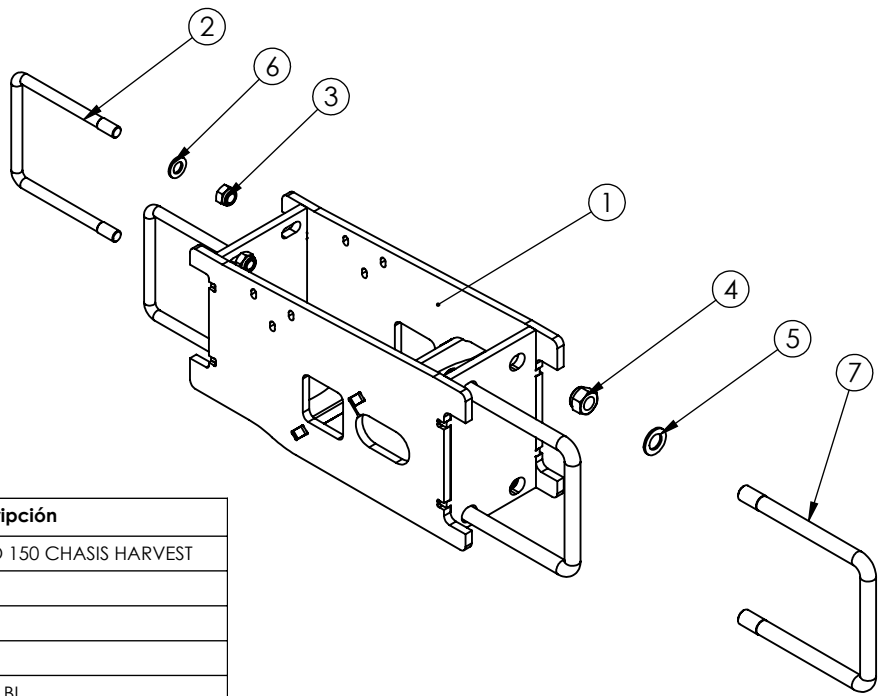


DETAIL B

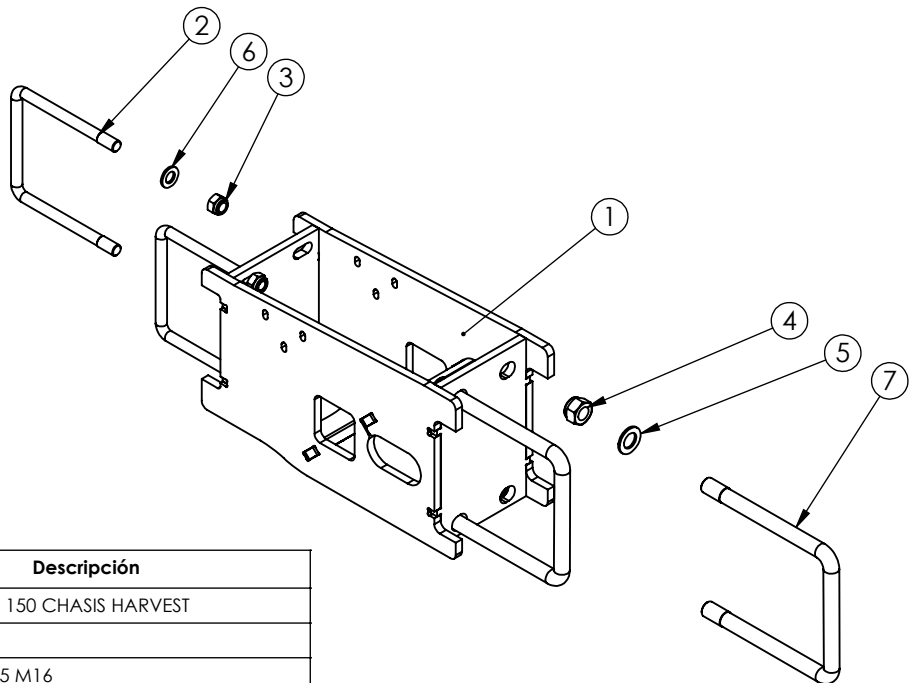
ITEM NO.	PART NO.	DESCRIPTION
1	10245	ZERK, GREASE, 1/4-28UNF, STRAIGHT
2	40010	BOLT, 1/2-13UNC X 3" HEX, GRD5, ZINC
3	40016	BOLT, 1-8UNC X 2 HEX, GRD 5, ZINC
4	40022	BOLT, 3/4-10UNC X 6 HEX, GRD 5, ZINC
5	40034	BOLT, 3/8-16UNC X 1-1/2" HEX FLANGE, GRD 5, ZINC
6	40038	BOLT, 5/16-18UNC X 3/4" HEX FLANGE, GRD 5, ZINC
7	40047	NUT, 1/2-13UNC, HEX FLANGE, GRD 5, ZINC
8	40052	NUT, 1-8UNC, HEX, TOPLOCK, ZINC
9	40055	NUT, 3/4-10UNC, HEX, TOPLOCK, ZINC
10	40056	NUT, 3/8-16UNC, HEX FLANGE, GRD 5, ZINC
11	40058	NUT, 3/8-16UNC, HEX, TOPLOCK, ZINC
12	40060	NUT, 5/16-18UNC, HEX, TOPLOCK, ZINC
13	40065	WASHER, FLAT, 1", ZINC
14	40068	WASHER, FLAT, 3/4", ZINC
15	40086	BOLT, 1/2-13UNC X 4, HEX, GRD 5, ZINC
16	40097	BOLT, 5/16-18UNC X 1-1/2", HEX, GRD 5, ZINC
17	40233	SNAP RING, 1.5", HEAVY DUTY, EXTERNAL, ZINCED
18	40234	SNAP RING, HD, 1" EXTERNAL (XHD0098-1)
19	40276	SNAP RING, 2" HD, EXTERNAL
20	40333	BOLT, 3/8-16UNC X 3", GRD 5, HEX, ZINC
21	40334	WASHER, LOCK, 1" SPLIT, ZINC
22	40358	BOLT, 3/4-10UNC X 5-1/2", GRD 5, HEX, ZINC
23	6801-06-08	ELBOW, #8 ORB X #6 JIC MALE
24	70270	BUMPER, MARKER STOP
25	70510	PLATE, BACKING, MARKER DISC MOUNT
26	70517A	BUSHING, MARKER LINK GUIDE
27	70997	SPACER, WING HINGE PIN
28	71354	CLAMP, HOSE, 4-5 INCH
29	71373	BRACKET, HOLD DOWN, STEEL HYD LINE
30	71796	PIN, LATCH PIVOT
31	ME-111787	BULON PIVOTE GATILLO (71797)
32	71884	BUMPER, STAGE 1 MARKER
33	71941	PIN MARKER, BASE 60FT
34	71942	PIN, STAGE 2 60FT MARKER
35	71943	PIN, MARKER PIVOT, BASE, MARKER, 60FT
36	71944	BUSHING, SPACER/ROLLER, MARKER 60FT
37	71952	BRACKET, HOSE PROTECTOR, MARKER, 60FT
38	73242	TUBE, MARKER ADJUST, PB4035CM
39	73263	PLATE, MARKER ADJUST CLAMP, PB4035CM
40	90083	BRACKET, MARKER DISC MNT ASM
41	90119	DISC ASSEMBLY
42	90907	MARKER MNT BASE, 40FT
43	90908	MARKER, BASE, RIGHT, 40FT
44	90909	MARKER ARM, STAGE 1, 40FT
45	90912	CYLINDER, 3.5X24, TIE ROD
46	90943-06	HOSE, HYD, 3/8" x 85" #6 JICM TO #6 JICF
47	90943-11	HOSE, HYD, 3/8" x 85" #6 JICM TO #6 JICF
48	91267	TUBE ASM, HYD, WING, MARKER, 1/2", 40FT
49	91547	MARKER ARM, STAGE 2, PB4035CM, SOLA
50	91548	MARKER ARM, STAGE 3, PB4035CM, SOLA
51	91551	LIN, ADJUSTER, MARKERS, PB4035CM SOLA
52	91553	LINK, STAGE 2 TO STAGE 3, PB4035CM SOLA
53	SOLA MARKER 100	LATCH RETAIN PLATE ASSY
54	SOLA MARKER 3	PLATE, LATCH MOUNT
55	SOLA MARKER 101	LATCH ARM ASSY
56	71521	BUSHING, LADDER HINGE
57	40041	BOLT, 5/8-11UNC X 1-1/2" HEX FLANGE, GRD 5, ZINC
58	40061	NUT, 5/8-11UNC, HEX FLANGE, GRD 5, ZINC
59	40062	NUT, 5/8-11UNC, HEX, TOPLOCK, ZINC
60	40070	WASHER, FLAT, 5/8" ZINC
61	40042	BOLT, 5/8-11UNC X 1-1/2", HEX FLANGE, GRD 5, ZINC
62	SOLA MARKER 7	PLATE, LATCH MOUNT
63	HFBOLT 0.5-13x9x1.25-C	



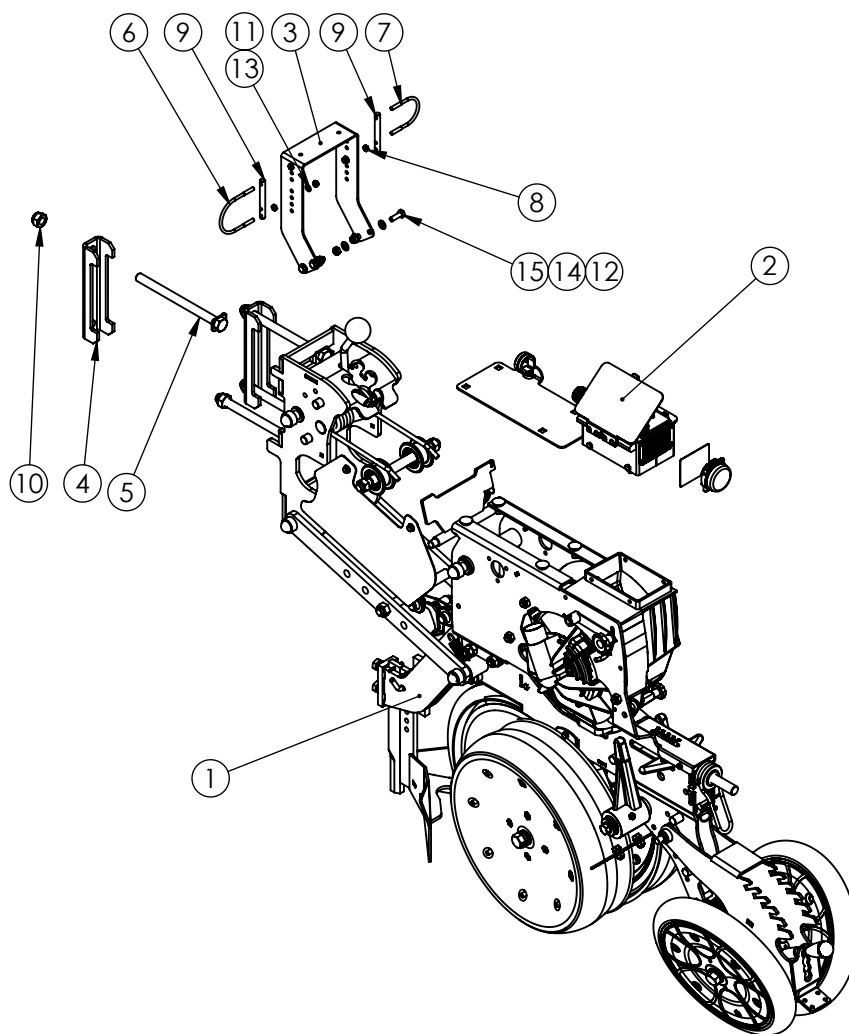
N°	REF.	DESCRIPTION	Qty
1	6400-06-08	FITTING, #6 JIC MALE x #8 O-RING MALE	1
2	6402-06-06	FITTING, #6 OR-ING X #6JIC FEMALE SWIVEL	1
3	6500-06-06	ELBOW, #6 JIC MALE X #6 JIC FEMALE SWIVEL	2
4	6801-06-08	ELBOW, #8 ORB X #6 JIC MALE	2
5	70042B	BRACKET, MARKER SAFETY SWITCH, GEN 3 HARNESS	1
6	90631-123	PROXIMITY SWITCH ASM	1
7	90569	HOSE, MARKER, MANIFOLD TO DRAFT STEEL HYD LINE, 3/8" x 18"	2
8	90570	HOSE, HYD, MARKER SEQ TO DRAFT TUBE	2
9	90929	STEEL HYD LINE, DRAFT TUBE, 1/2", 40 SERIES	4
10	40094	BOLT, 3/8-16UNC X1-1/2" HEX , GRD 5, ZINC	2
11	40056	NUT, 3/8-16UNC, HEX FLANGE, GRD 5, ZINC	2



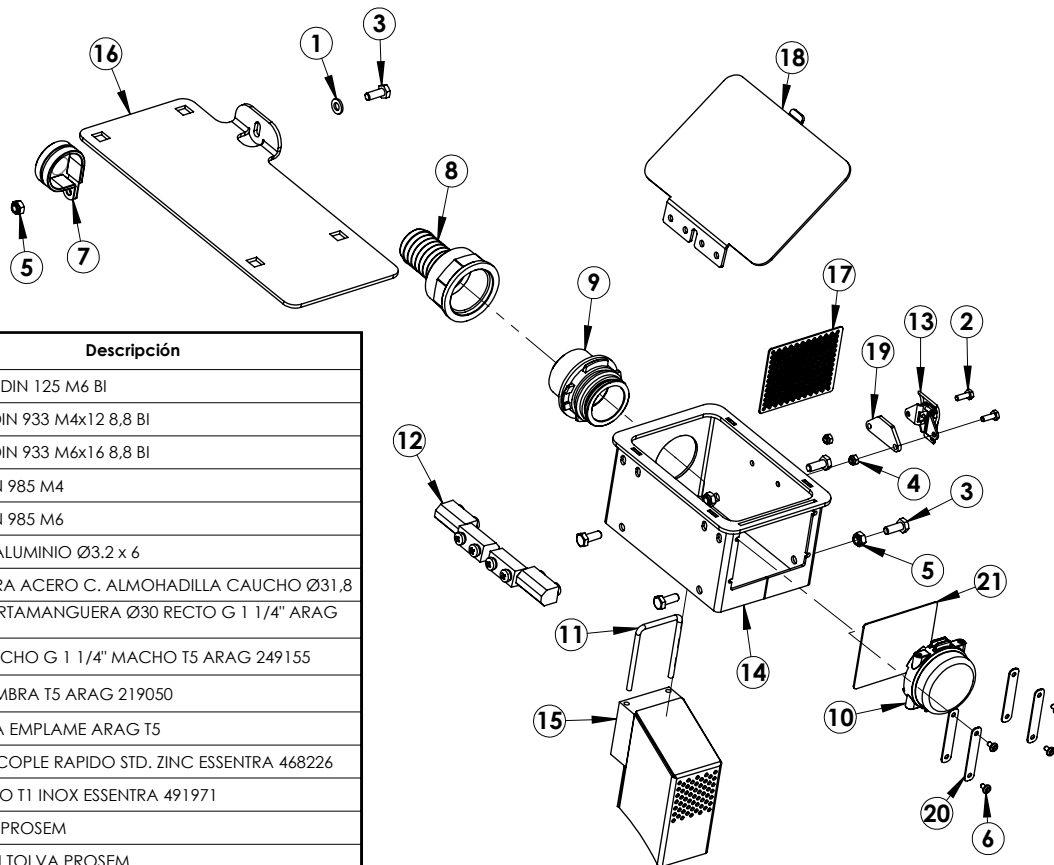
Nº	Cant.	Referencia	Rev.	Descripción
1	1	PS-411705	R-04	SOPORTE CENTRAL TUBO 150 CHASIS HARVEST
2	2	EE-011705	R-02	BRIDA "U" 150
3	4	985 16	R-07	TUERCA DIN 985 M16
4	4	985 22	R-07	TUERCA DIN 985 M22
5	4	125 22 BI	R-06	ARANDELA DIN 125 M22 BI
6	2	125 16 BI	R-06	ARANDELA DIN 125 M16 BI
7	2	EE-041714	R-01	BRIDA "U" 7"X3" M22 CHASIS HARVEST



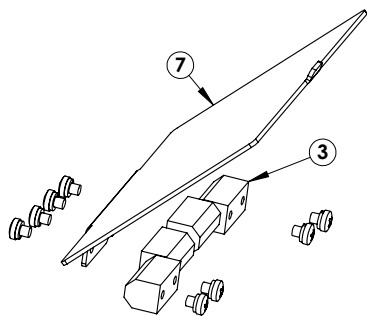
Nº	Cant.	Referencia	Rev.	Descripción
1	1	PS-411702	R-04	SOPORTE TUBO 150 CHASIS HARVEST
2	2	EE-011705	R-02	BRIDA "U" 150
3	4	985 16	R-07	TUERCA DIN 985 M16
4	4	985 22	R-07	TUERCA DIN 985 M22
5	4	125 22 BI	R-06	ARANDELA DIN 125 M22 BI
6	2	125 16 BI	R-06	ARANDELA DIN 125 M16 BI
7	2	EE-041714	R-01	BRIDA "U" 7"X3" M22 CHASIS HARVEST



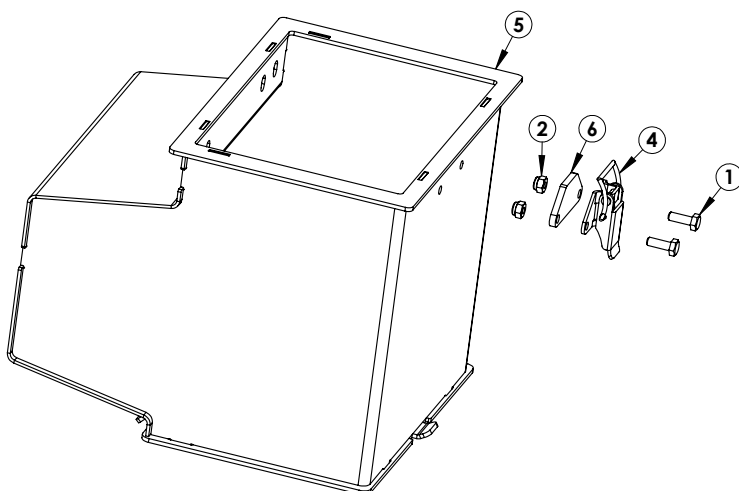
Nº	Cant.	Referencia	Rev.	Descripción
1	1	MO-151718	R-01	o
2	1	AF-051774	R-01	CONJUNTO MINITOLVA PROSEM K
3	1	PX-451728	R-01	CHAPA GUIA TUBOS ELEMENTO HARVEST
4	2	PX-011711	R-01	BRIDA 150
5	4	CO-011728	R-01	TORNILLO 931 16X210 C\ FIJADOR
6	1	EE-101750	R-01	BRIDA ABARCON "C" Ø65-M6 L=87,5 MM
7	1	EE-051761	R-01	ABARCON SUJETA TUBO PROSEM SIN TOLVA M6
8	4	936 6	R-03	TUERCA DIN 936 M6
9	2	ME-251722	R-01	PROTECTOR TUBOS ELEMENTO HARVEST
10	4	985 16	R-07	TUERCA DIN 985 M16
11	4	985 6	R-07	TUERCA DIN 985 M6
12	4	985 8	R-07	TUERCA DIN 985 M8
13	4	125 6 BI	R-06	ARANDELA DIN 125 M6 BI
14	8	125 8 BI	R-06	ARANDELA DIN 125 M8 BI
15	4	933 8X25 8,8B	R-08	TORNILLO DIN 933 M8x25 8,8 BI

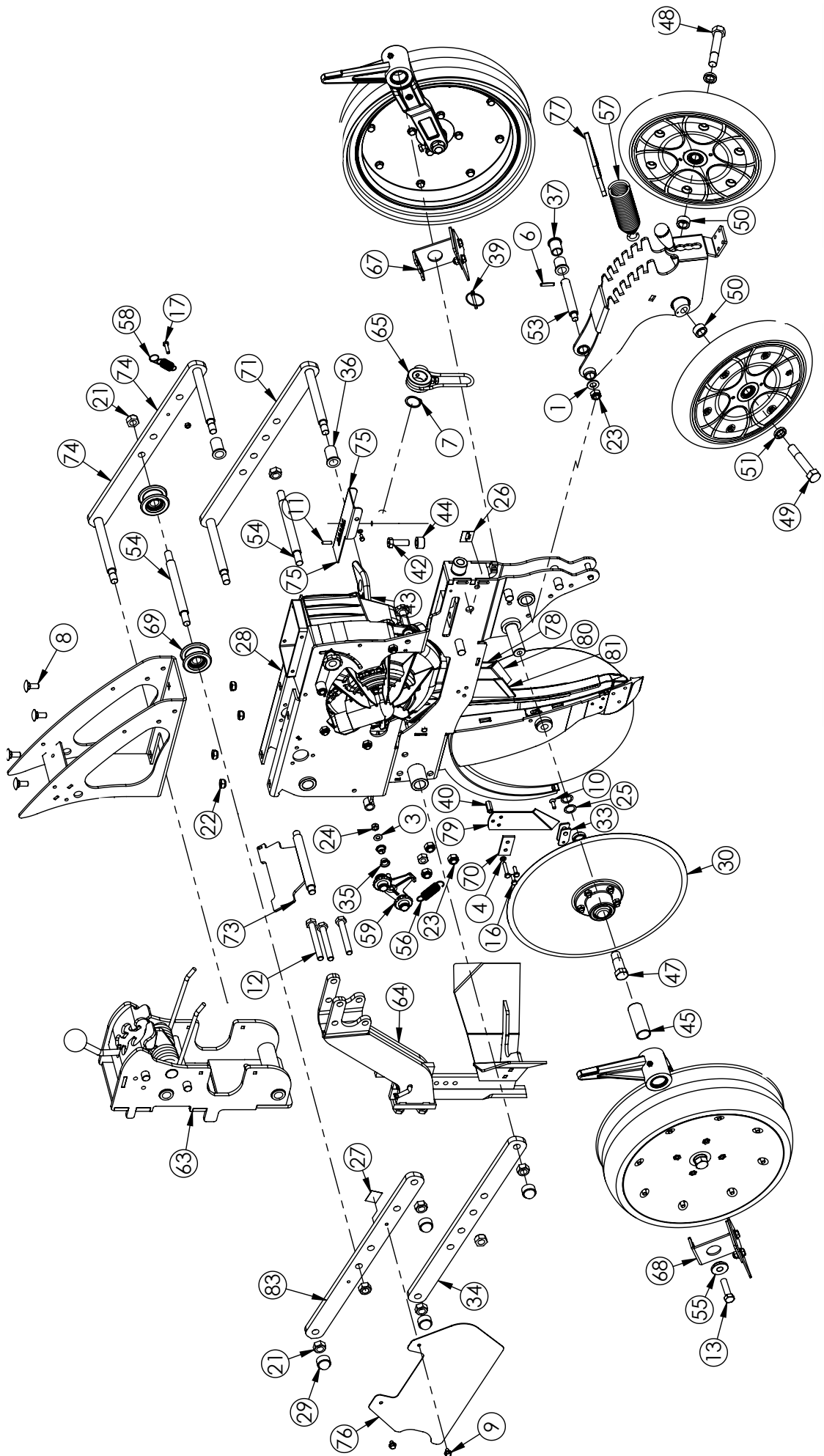


Nº	Cant	Referencia	Rev.	Descripción
1	1	125 6 BI	R-06	ARANDELA DIN 125 M6 BI
2	2	933 4X12 8.8B	R-15	TORNILLO DIN 933 M4x12 8,8 BI
3	5	933 6X16 8.8B	R-15	TORNILLO DIN 933 M6x16 8,8 BI
4	2	985 4	R-09	TUERCA DIN 985 M4
5	5	985 6	R-09	TUERCA DIN 985 M6
6	4	FE-602001	R-03	REMACHE ALUMINIO Ø3,2 x 6
7	1	FE-606617	R-02	ABRAZADERA ACERO C. ALMOHADILLA CAUCHO Ø31,8
8	1	FE-611046	R-02	RACOR PORTAMANGUERA Ø30 RECTO G 1 1/4" ARAG 100530
9	1	FE-611047	R-02	RACOR MACHO G 1 1/4" MACHO T5 ARAG 249155
10	1	FE-611048	R-02	TAPON HEMBRA T5 ARAG 219050
11	1	FE-614116	R-02	HORGUILLA EMPLAME ARAG T5
12	2	FE-660112	R-02	BISAGRA ACOPLA RAPIDO STD. ZINC ESSENTRA 468226
13	1	FE-660113	R-03	SEGURO FIJO T1 INOX ESSENTRA 491971
14	1	PS-241771	R-03	MINITOLVA PROSEM
15	1	PS-241772	R-01	CODO MINI TOLVA PROSEM
16	1	PX-451727	R-02	CHAPA CIERRE ELEMENTO PROSEM K SIN TOLVA
17	1	PX-541742	R-03	CHAPA AGUJEREADA MINITOLVA PROSEM
18	1	PX-541745	R-01	TAPA MINITOLVA HARVEST
19	1	PX-541746	R-02	CHAPA GRUESO PESTILLO MINITOLVA PROSEM
20	4	PX-541756	R-01	GUIA VENTANILLA MINITOLVA
21	1	PX-541760	R-01	CHAPA CIEGA MINITOLVA PROSEM

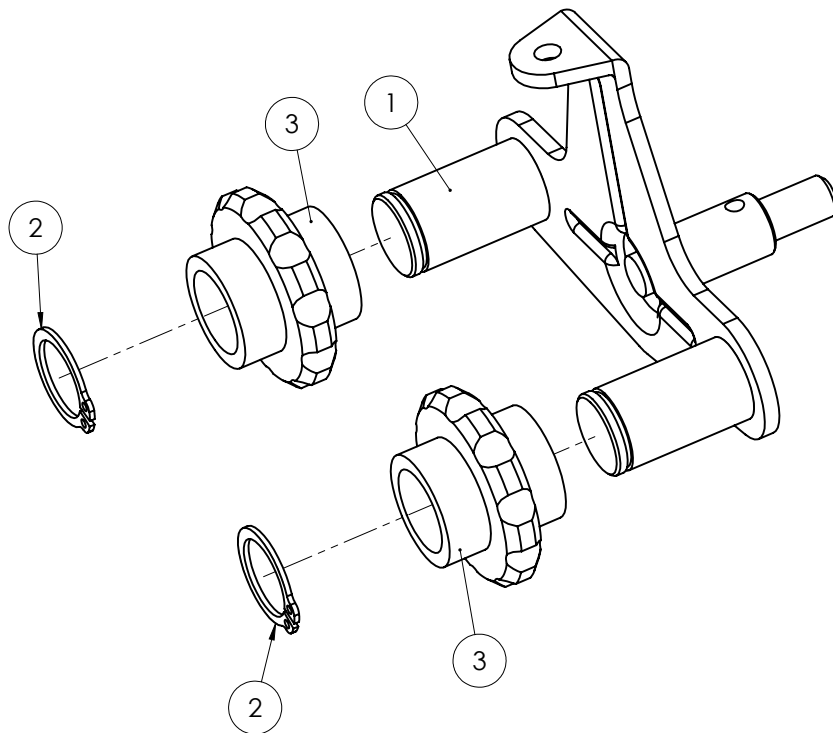


Nº	Cant.	Referencia	Rev.	Descripción
1	2	933 4X12 8.8B	R-15	TORNILLO DIN 933 M4x12 8,8 BI
2	2	985 4	R-09	TUERCA DIN 985 M4
3	2	FE-660112	R-02	BISAGRA ACOPLA RAPIDO STD. ZINC ESSENTRA 468226
4	1	FE-660113	R-03	SEGURO FIJO T1 INOX ESSENTRA 491971
5	1	PS-241774	R-02	ALZA MINITOLVA HARVEST
6	1	PX-541746	R-02	CHAPA GRUESO PESTILLO MINITOLVA PROSEM
7	1	PX-541757	R-01	TAPA AMPLIACION MINITOLVA



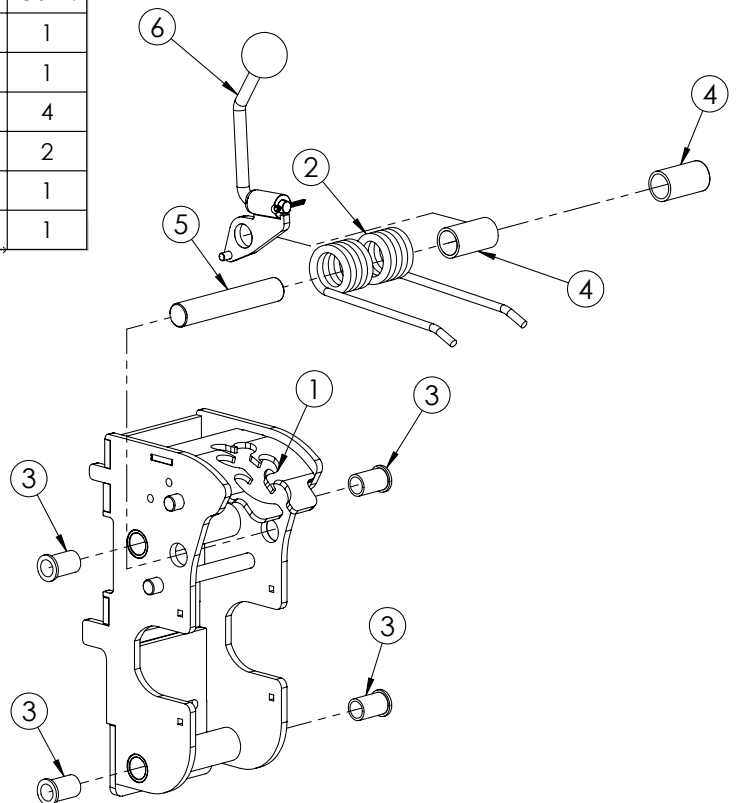


Nº	Cant.	Referencia	Rev.	Descripción
1	1	125 12 BI	R-06	ARANDELA DIN 125 M12 BI
2	2	125 5 BI	R-06	ARANDELA DIN 125 M5 BI
3	1	125 8	R-06	ARANDELA DIN 125 M8
4	2	127 6 BI	R-03	ARANDELA GROWER DIN 127 6 BI
5	3	1481 5X16 BI	R-07	PASADOR ELASTICO DIN 1481 Ø5x16 BI
6	1	1481 6X28 BI	R-07	PASADOR ELASTICO DIN 1481 Ø6x28 BI
7	1	471 28	R-05	ANILLO SAEGER DIN 471 Ø28
8	4	603 10X25 BI	R-14	TORNILLO DIN 603 M10x25 BI
9	2	6921 6X10 8.8B	R-07	TORNILLO DIN 6921 M6x10 8.8 BI
10	1	7991 6X20 BI	R-04	TORNILLO DIN 7991 M6x20 BI
11	1	913 6X20 BI	R-09	ESPARRAGO ALLEN DIN 913 M6x20 BI
12	1	931 12X100 8.8B	R-12	TORNILLO DIN 931 M12x100 8.8 BI
13	2	931 12X45 BI	R-01	TORNILLO DIN 931 M12x45 BI
14	2	931 12X90 8.8B	R-12	TORNILLO DIN 931 M12x90 8.8 BI
15	2	933 5X10 8.8B	R-15	TORNILLO DIN 933 M5x10 8.8 BI
16	4	933 6X20 8.8B	R-15	TORNILLO DIN 933 M6x20 8.8 BI
17	1	933 6X25 8.8B	R-15	TORNILLO DIN 933 M6x25 8.8 BI
18	2	933 6X35 8.8 BI	R-15	TORNILLO DIN 933 M6x35 8.8 BI
19	1	934 12 BI	R-07	TUERCA DIN 934 M12 BI
20	1	934 6 BI	R-07	TUERCA DIN 934 M6 BI
21	8	980 14 BI	R-02	TUERCA AUTOB. DIN 980 M14
22	4	985 10	R-09	TUERCA DIN 985 M10
23	4	985 12	R-09	TUERCA DIN 985 M12
24	1	985 8	R-09	TUERCA DIN 985 M8
25	4	988 18X25X0.5	R-02	ARANDELA DIN 988 18X25X0.5
26	2	AD-071710	R-02	ADHESIVO ENGRASE
27	1	AD-071711	R-02	ADHESIVO LUBRIFICACIÓN
28	1	AF-151744		CONJUNTO CHASIS INF. ELEM. PROSEM K C/DIST PL-PL15
29	4	CN-817071	R-01	CAPSULA PROTECCION TUERCA M14 HEX 22
30	2	CO-051731	R-01	CONJUNTO DISCO SIEMBRA CON BUJE
31	2	CO-051764	R-03	RUEDA FLEX 2"X13" C/ROD PEER 5203 KPP52 ØINT16,8
32	1	CO-251731	R-01	TUBO CAIDA SEMILLA PROSEM K 2012
33	1	CO-251736	R-01	DISTANCIADOR TUBO SEMILLA
34	1	EE-051738	R-01	BRAZO INFERIOR PARALELOGRAMO ATORNILLADO 2010
35	2	FE-600008	R-01	CASQ. FRICCIÓN 12X14X9 C/VALONA
36	4	FE-600067	R-02	CASQUILLO HIERRO SINTERIZADO 18x23x38
37	2	FE-600075	R-02	CASQUILLO HIERRO SINTERIZADO 18X23X28
38	1	FE-605182	R-02	CADENA 1/2" ISO08B1 SD L=1676,4 131P+1E ABIERTA
39	1	FE-610012	R-01	PASADOR ANILLA 4.5 BI
40	1	FE-614109		TUERCA DE ACOPLA M6 L=25mm ZINCADA
41	1	FU-051700	R-01	BOTA FUNDICION ELEMENTO
42	1	ME-051706	R-01	TORNILLO HUSILLO REGULACIÓN
43	1	ME-051722	R-01	TOPE REG. PROF. SIEMBRA
44	1	ME-051723	R-01	CASQUILLO TOPE REG. RUEDAS CONTROL
45	2	ME-051724	R-01	CASQUILLO BIELAS RUEDAS CONTROL
46	1	ME-051728	R-01	TORNILLO EJE DISCO DER. SIEMBRA
47	1	ME-051729	R-01	TORNILLO EJE DISCO IZQ. SIEMBRA
48	1	ME-051753	R-01	TORNILLO EJE RUEDAS COMPACTADORAS DER.
49	1	ME-051754	R-01	TORNILLO EJE RUEDAS COMPACTADORAS IZQ.
50	2	ME-051755	R-02	CASQUILLO CENTRADOR INT. RUEDAS COMPAC.
51	2	ME-051756	R-02	CASQUILLO CENTRADOR EXT. RUEDAS COMPAC.
52	2	ME-051774	R-01	CASQUILLO DISCO SIEMBRA
53	1	ME-051797	R-02	EJE ATORNILLADO SOP. RUEDAS COMPACT. 2010
54	2	ME-151717	R-01	EJE PARALELOGRAMO 2011
55	2	ME-151778	R-01	ARANDELA SUJECION CASQUILLO BIELA CTRL.PROFUNDIDAD
56	1	ML-010101	R-01	MUELLE GATILLO ENGANCHE
57	1	ML-051721	R-01	MUELLE TRACCIÓN RUEDAS COMPAC. Ø45x4,75
58	1	ML-051904	R-01	MUELLE EXCLUSION ELEMENTO P
59	1	MO-041785	R-01	SENSOR CADENA 1/2" PROSEM
60	1	MO-051720	R-02	BIELA RUEDA COMPACTADORA
61	1	MO-051769-D	R-02	RUEDA CONTROL PROFUNDIDAD IZQ. (400x115 PLASTICO)
62	1	MO-051769-I	R-01	RUEDA CONTROL PROFUNDIDAD IZQ. (400x115 PLASTICO)
63	1	MO-051781	R-02	SOPORTE ELEMENTO S/ EJE PROSEM K 2011
64	1	MO-151738	R-01	APARTATERRONES CON BULON PROSEM K CON SOPORTE
65	1	MO-151755	R-01	CONTROL PROF. SIEMBRA PROSEM K
66	1	MO-151756	R-01	HUSILLO REGULACIÓN RUEDAS CONTROL PROSEM
67	1	MO-151757-D	R-01	RASCADOR RUEDA DER. CONTROL PROFUNDIDAD PROSEM
68	1	MO-151757-I	R-01	RASCADOR RUEDA IZQ. CONTROL PROFUNDIDAD PROSEM
69	2	PL-051700	R-01	RODILLO EMPUJE MUELLE PROSEM K
70	4	PL-051710	R-01	CHAPA PLASTICO RASCADOR DISCO SIEMBRA
71	1	PS-051785	R-01	BRAZO SOLDADO PARALELOGRAMO INFERIOR 2011
72	1	PS-151722	R-01	CHASIS SUPERIOR ELEMENTO PROSEM K
73	1	PS-151723	R-01	SUPRESOR ELEMENTO PROSEM K CHASIS PARTIDO
74	1	PS-151765	R-01	BRAZO SOLDADO PARALELOGRAMO SUPERIOR 2014
75	1	PX-051724	R-02	TAPA REG. ALTURA SIEMBRA PARA MICRO
76	1	PX-051725	R-02	PROTECCION CADENA PARALELOGRAMO
77	1	PX-056012	R-02	SENSOR RUEDAS COMPACTADORAS PRIME PLANTER
78	1	PX-151724-D	R-03	RASCADOR EXTERIOR DISCO SIEMBRA DER.
79	1	PX-151724-I	R-02	RASCADOR EXTERIOR DISCO SIEMBRA IZQ.
80	1	PX-151766-D	R-01	RASCADOR INTERIOR DISCO SIEMBRA DER. 2009
81	1	PX-151766-I	R-01	RASCADOR INTERIOR DISCO SIEMBRA IZQ.
82	2	PX-251742	R-01	ARANDELA Ø26XØ35X2 INOX
83	1	PX-351784	R-01	BRAZO SUPERIOR PARALELOGRAMO ATORNILLADO 2014



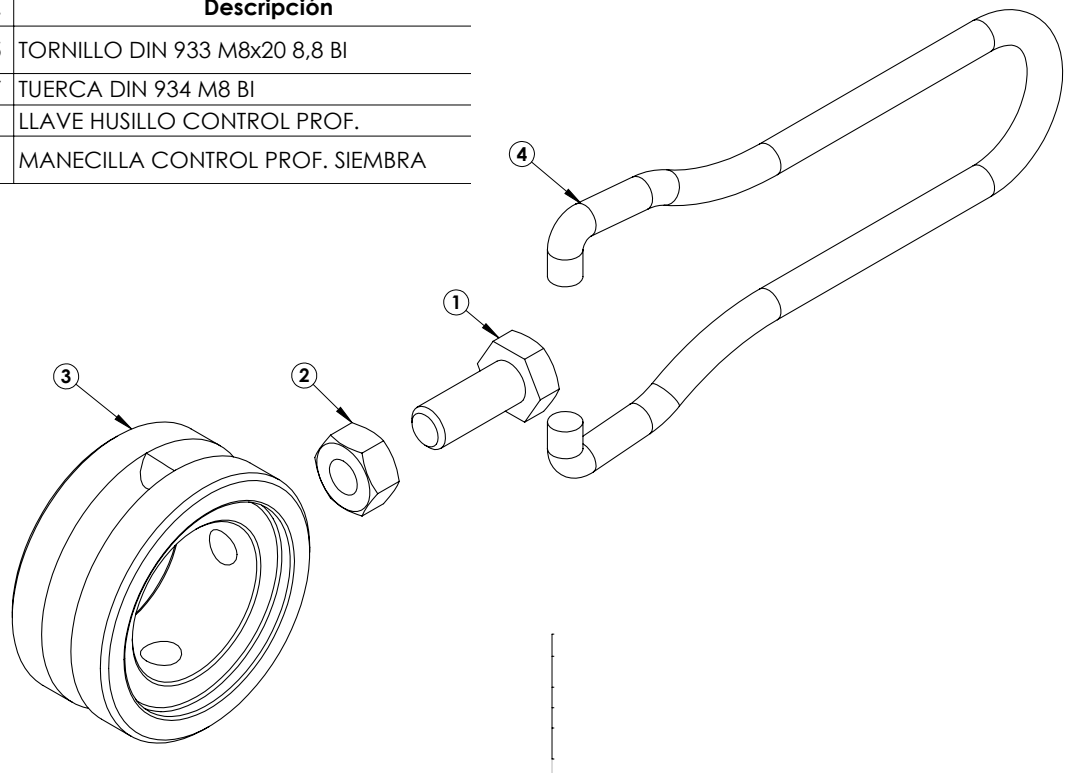
Nº	CANTIDAD	Referencia	Descripción
1	1	CO-041786	TENSOR CADENA
2	2	471 16	ANILLO SAEGER DIN 471 Ø16
3	2	PL-041720	PIÑON TENSOR PARA CADENA DE 1/2"

Nº	Referencia	Descripción	Cant.
1	PS-051782	SOPORTE ELEMENTO ESTANDAR 201 1	1
2	ML-051722	MUELLE PRESION ELEMENTO Ø37X8	1
3	FE-600067	CASQUILLO HIERRO SINTERIZADO 18x23x38	4
4	PL-051763	CASQUILLO PE Ø32x3 L= 57 MM	2
5	CT-051750	BULON MUELLE PRESION ELEMENTO	1
6	MO-151754	ARTICULACION REGULACION PRESION ELEMENTO	1

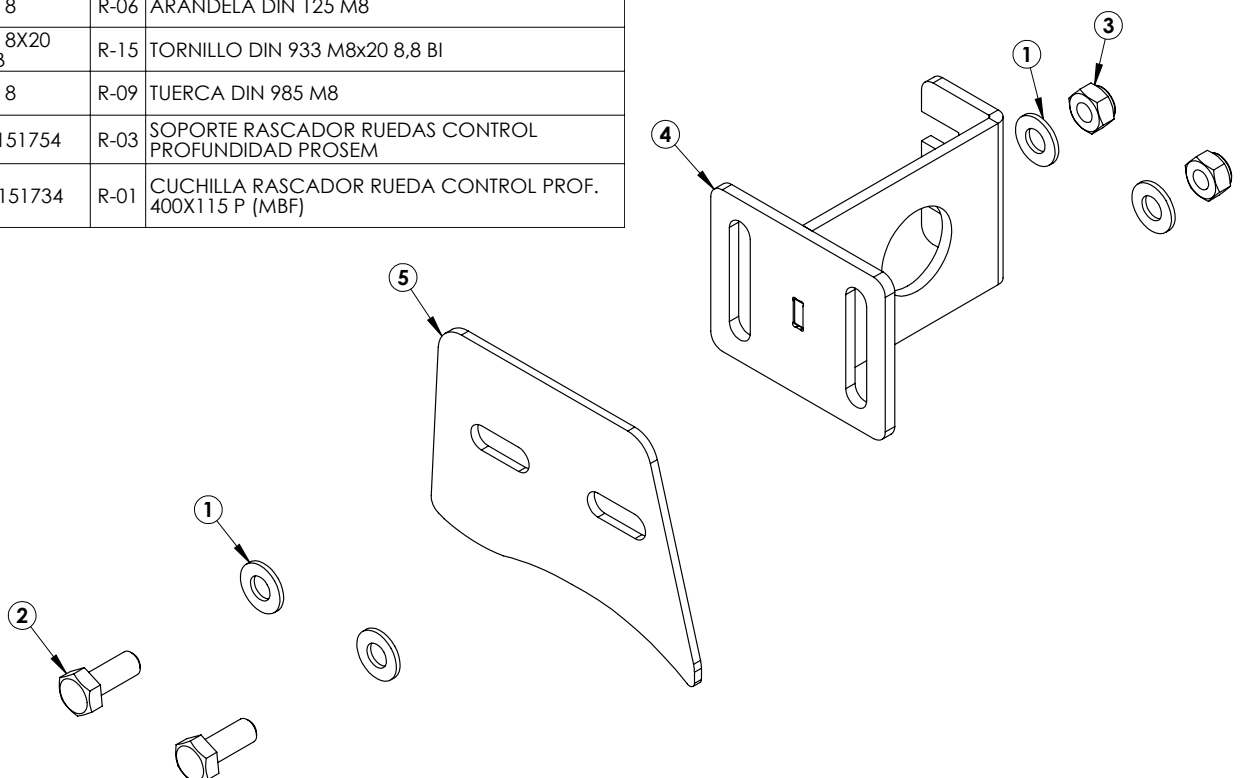


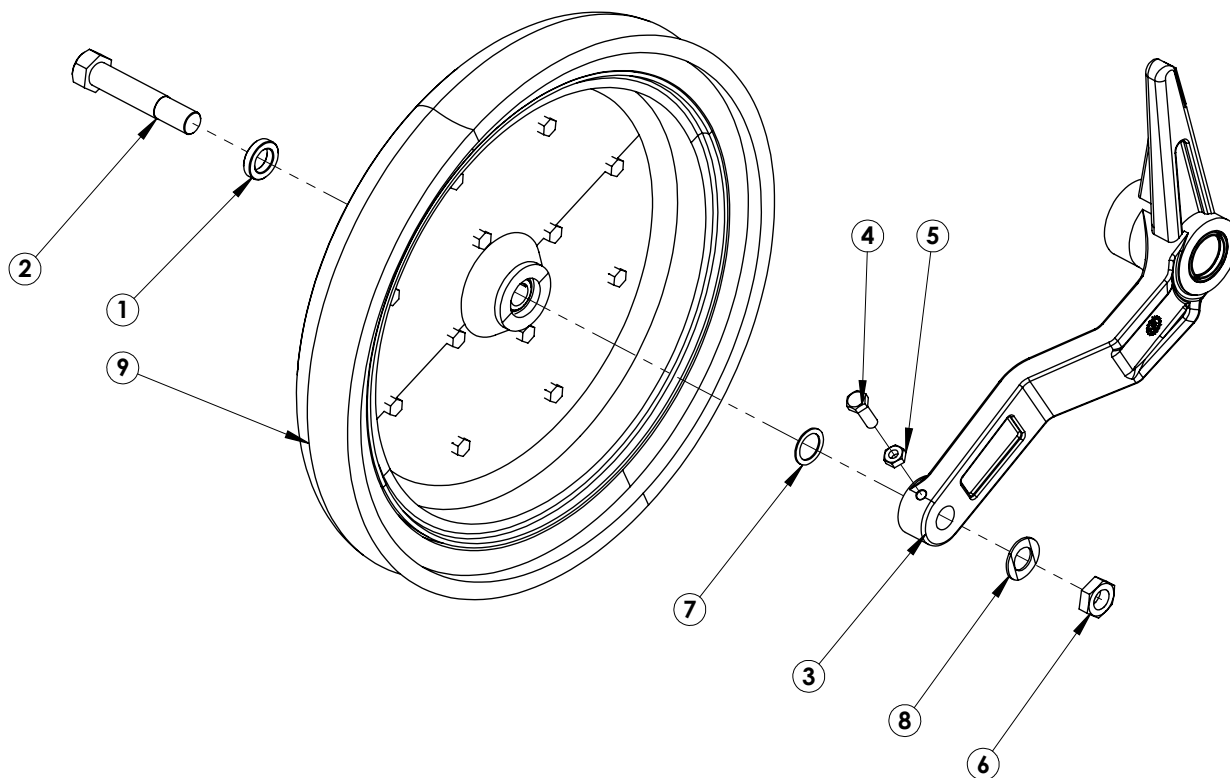


Nº	Cant.	Referencia	Rev.	Descripción
1	1	933 8X20 8.8B	R-15	TORNILLO DIN 933 M8x20 8,8 BI
2	1	934 8 BI	R-07	TUERCA DIN 934 M8 BI
3	1	ME-051721	R-01	LLAVE HUSILLO CONTROL PROF.
4	1	ML-051724	R-01	MANECILLA CONTROL PROF. SIEMBRA

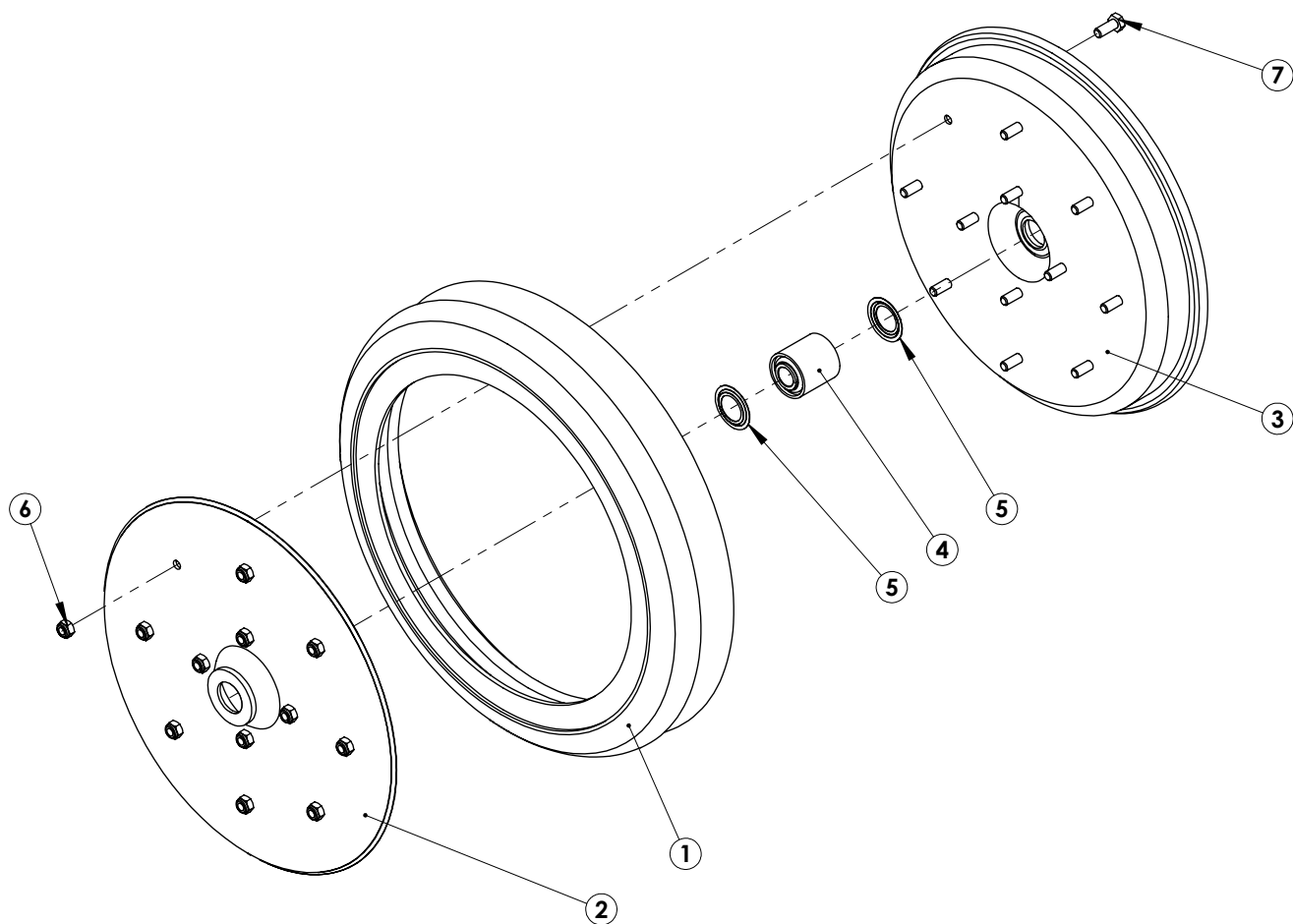


Nº	Cant.	Referencia	Rev.	Descripción
1	4	125 8	R-06	ARANDELA DIN 125 M8
2	2	933 8X20 8.8B	R-15	TORNILLO DIN 933 M8x20 8,8 BI
3	2	985 8	R-09	TUERCA DIN 985 M8
4	1	PS-151754	R-03	SOPORTE RASCADOR RUEDAS CONTROL PROFUNDIDAD PROSEM
5	1	PX-151734	R-01	CUCHILLA RASCADOR RUEDA CONTROL PROF. 400X115 P (MBF)





Nº	Cant.	Referencia	Rev.	Descripción
1	1	ME-051756	R-01	CASQUILLO CENTRADOR EXT. RUEDAS COMPAC.
2	1	ME-051753	R-01	TORNILLO EJE RUEDAS COMPACTADORAS DER.
3	1	VA-051710-D	R-01	BIELA CON CASQUILLOS RUEDA CONTROL PROSEM DER.
4	1	933 8X25 8.8B	R-07	TORNILLO DIN 933 M8x25 8,8 BI
5	1	936 8 BI	R-03	TUERCA DIN 936 M8 BI
6	1	936 16-150 BI	R-03	TUERCA DIN 936 M16 BI
7	1	988 19X26X1	R-02	ARANDELA DIN 988 19X26X1
8	1	137 B 16 Z	R-02	ARANDELA DE MUELLE DIN 137B M16
9	1	CO-051766		RUEDA CONTROL PROF. 400X65 PEER5203 KYY2 ØINT16,8



Nº	Cant.	Referencia	Rev.	Descripción
1	1	CO-051766-01	R-01	CUBIERTA RUEDA CONTROL PROFUNDIDAD 400X65
2	1	CO-051766-02	R-01	TAPA RUEDA CONTROL PROFUNDIDAD 400X65
3	1	CO-051766-03	R-01	LLANTA RUEDA CONTROL PROFUNDIDAD 400X65
4	1	FE-600099	R-04	RODAMIENTO PEER 5203-KPP52-R-A121
5	2	FE-614062	R-02	ARANDELA ID Ø40xØ23x0,5
6	12	985 8	R-08	TUERCA DIN 985 M8
7	12	933 8X20 8.8B	R-10	TORNILLO DIN 933 M8x20 8,8 BI

BIELA ESTANDAR

BIELA CORTA

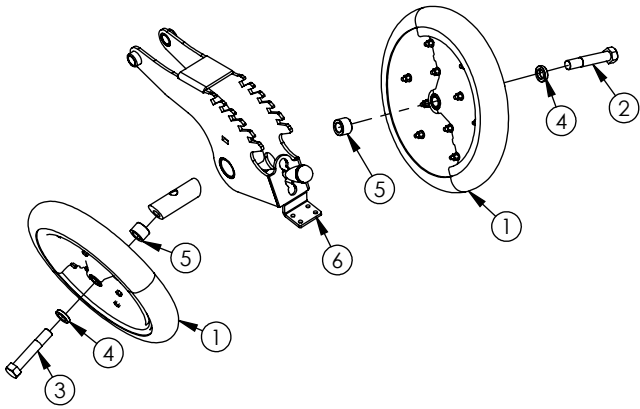
<p>EO-051700 RUEDAS COMPACTADORAS EN V 2"</p> <p>MO-051720</p>	<p>EO-051701 RUEDAS COMPACTADORAS 2" BIELA CORTA</p> <p>MO-151732</p>
<p>EO-051702 RUEDAS COMPACTADORAS EN V 1"</p> <p>MO-151733</p>	<p>EO-051713 RUEDAS COMPACTADORAS EN V 1" BIELA CORTA</p> <p>MO-151734</p>
<p>EO-051703 RUEDAS COMPACTADORAS EN V TRPEZ. 1"x13"</p> <p>MO-051720</p>	<p>EO-051715 RUEDAS COMPACTADORAS EN V TRPEZ 1"x13" BIELA CORTA</p> <p>MO-151732</p>
<p>EO-051704 RUEDAS COMPACTADORAS EN V DENTADAS</p> <p>MO-051720</p>	<p>EO-051714 RUEDAS COMPACTADORAS EN V DENTADAS BIELA CORTA</p> <p>MO-151732</p>
<p>EO-051719 RUEDAS COMPACTADORAS EN V TRPEZ. FUNDICIÓN</p> <p>MO-151733</p>	<p>EO-051721 RUEDAS COMPACTADORAS TRPEZ. FUNDICIÓN BIELA CORTA</p> <p>MO-151734</p>

Nº	Cant.	REF	DENOMINACIÓN
1	9	PX-251749	REFUERZO BIELA CORTA RUEDA COMPACT.
2	8	PX-151773	LATERAL DER. BIELA RUEDA COMPACT. 2010
3	8	PX-151769	LATERAL IZQ. BIELA RUEDA COMPACT. 2010
4	9	PX-151760	LATERAL DER. BIELA CORTA RUEDA COMPACT.
5	9	PX-151759	LATERAL IZQ. BIELA CORTA RUEDA COMPACT.
6	26	ME-151777	CASQUILLO CENTRADOR INT. RUEDAS COMPAC. DENTADAS
7	17	ME-051798	CASQUILLO IZQ. SOPORTE RUEDA COMPACTADORA
8	17	ME-051796	CASQUILLO DER. SOPORTE RUEDA COMPACTADORA
9	8	ME-051783	EJE RUEDA COMPACTADORA 18.5° P/RUEDA 1"x12"
10	12	ME-051771	TORNILLO EJE RUEDAS COMPACT. DENTADAS IZQ.
11	8	ME-051770	TORNILLO EJE RUEDAS COMPACT. DENTADAS DER.
12	22	ME-051756	CASQUILLO CENTRADOR EXT. RUEDAS COMPAC.
13	17	ME-051755	CASQUILLO CENTRADOR INT. RUEDAS COMPAC.
14	7	ME-051754	TORNILLO EJE RUEDAS COMPACTADORAS IZQ.
15	6	ME-051753	TORNILLO EJE RUEDAS COMPACTADORAS DER.
16	26	ME-051732	CASQUILLO SOLDADO SOPORTE RUEDA COMPACT.
17	10	ME-051710	EJE RUEDA COMPACTADORA 18.5°
18	18	EE-051703	TAPACUBO BUJE DISCO SIEMBRA
19	18	EE-051755	VARILLA REGULACION ANGULO RUEDAS COMP. Ø12,5
20	18	125 12 BI	ARANDELA PLANA DIN 125 12 BI
21	18	ML-051705	MUELLE PALANCA REGULACION ANGULO RUEDAS COMP.
22	18	ME-251706	PALANCA REGULACION ANGULO RUEDAS COMP. C/ROSCA M10
23	18	FE-614077	POMO PLASTICO REGULACION ANGULO RUEDAS COMP. M10
24	36	94 3X20 BI	PASADOR DE ALETAS DIN 94 M 3X20 BI
25	12	EE-051756	PROTECCION RETEN RUEDA DENTADA SD PROSEM
			CONJUNTOS
		PS-051747	SOPORTE RUEDAS COMPACTADORAS 2010
A		PS-051747	SOPORTE RUEDAS COMPACTADORAS 2010
B		PS-051799	BIELA CORTA RUEDA COMPACTADORA
C		CO-051764	RUEDA FLEX 2"x13" C/ROD 40X39 PROSEM K
D		CO-051779	RUEDA FLEX 1"x12" C/ROD PROSEM K
E		CO-051752	RUEDA TAPADORA SECCION TRAPEZ. 1"x13" PROSEM
F		CO-051732	RUEDA TAPADORA DENTADA SIEMBRA DIRECTA PROSEM K
G		CO-251727	RUEDA TAPADORA SECCION TRAPEZ. 328X16 FUNDICION
		AF-051760	CONJUNTO PALANCA REG. RUEDAS COMPACT. PROSEM K
		AF-051760	CONJUNTO PALANCA REG. RUEDAS COMPACT. PROSEM K
		MO-051720	BIELA RUEDA COMPACTADORA ANGULO 19° PROSEM K
		MO-051720	BIELA RUEDA COMPACTADORA ANGULO 19° PROSEM K
		MO-151732	BIELA CORTA RUEDA COMPACTADORA EJE 18.5°
		MO-151733	BIELA RUEDA COMPACTADORA EJE 18.5° P/ 1"x12"
		MO-151734	BIELA CORTA RUEDA COMPACTADORA EJE 18.5° P/ 1"x12"

BIELA ESTANDAR

EO-051728 RUEDAS COMPACTADORAS EN V 2"

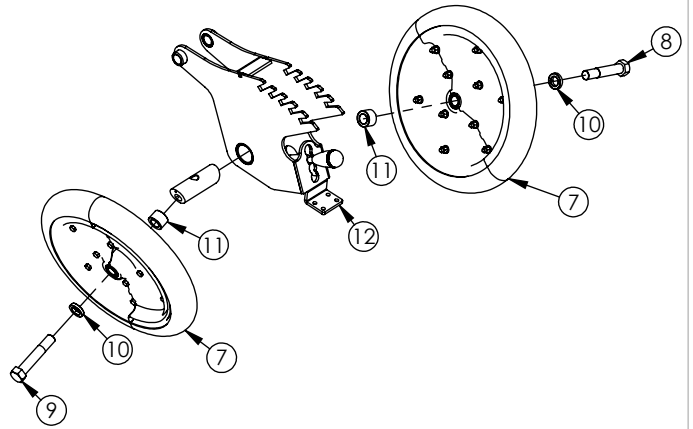
MO-051720



BIELA CORTA

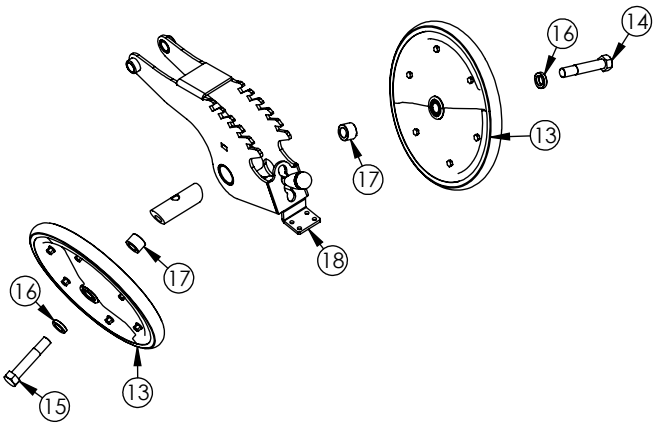
EO-051729 RUEDAS COMPACTADORAS 2" BIELA CORTA

MO-151732



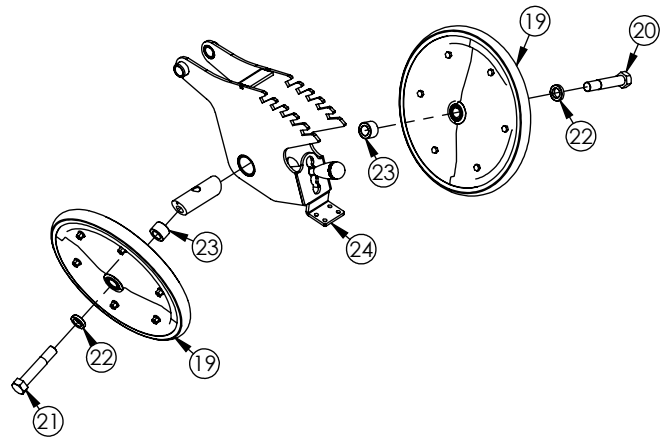
EO-051730 RUEDAS COMPACTADORAS EN V 1"

MO-151733



EO-051731 RUEDAS COMPACTADORAS EN V 1" BIELA CORTA

MO-151734



Nº	Cant.	Referencia	Rev.	Descripción
1	2	CO-251785		RUEDA TAPADORA 2"X13" RODAMIENTO PEER LLANTA METAL
2	1	ME-051753	R-01	TORNILLO EJE RUEDAS COMPACTADORAS DER.
3	1	ME-051754	R-01	TORNILLO EJE RUEDAS COMPACTADORAS IZQ.
4	2	ME-051756	R-01	CASQUILLO CENTRADOR EXT. RUEDAS COMPAC.
5	2	ME-151777	R-01	CASQUILLO CENTRADOR INT. RUEDAS COMPAC. DENTADAS
6	1	MO-151733	R-01	BIELA RUEDA COMPACTADORA EJE 18.5° P/ 1"x12"
7	2	CO-251785		RUEDA TAPADORA 2"X13" RODAMIENTO PEER LLANTA METAL
8	1	ME-051753	R-01	TORNILLO EJE RUEDAS COMPACTADORAS DER.
9	1	ME-051754	R-01	TORNILLO EJE RUEDAS COMPACTADORAS IZQ.
10	2	ME-051756	R-01	CASQUILLO CENTRADOR EXT. RUEDAS COMPAC.
11	2	ME-151777	R-01	CASQUILLO CENTRADOR INT. RUEDAS COMPAC. DENTADAS
12	1	MO-151734	R-01	BIELA CORTA RUEDA COMPACTADORA EJE 18.5° P/ 1"x12"
13	2	CO-251784		RUEDA TAPADORA 1"X12" RODAMIENTO PEER LLANTA METAL
14	1	ME-051753	R-01	TORNILLO EJE RUEDAS COMPACTADORAS DER.
15	1	ME-051754	R-01	TORNILLO EJE RUEDAS COMPACTADORAS IZQ.
16	2	ME-051756	R-01	CASQUILLO CENTRADOR EXT. RUEDAS COMPAC.
17	2	ME-151777	R-01	CASQUILLO CENTRADOR INT. RUEDAS COMPAC. DENTADAS
18	1	MO-151733	R-01	BIELA RUEDA COMPACTADORA EJE 18.5° P/ 1"x12"
19	2	CO-251784		RUEDA TAPADORA 1"X12" RODAMIENTO PEER LLANTA METAL
20	1	ME-051753	R-01	TORNILLO EJE RUEDAS COMPACTADORAS DER.
21	1	ME-051754	R-01	TORNILLO EJE RUEDAS COMPACTADORAS IZQ.
22	2	ME-051756	R-01	CASQUILLO CENTRADOR EXT. RUEDAS COMPAC.
23	2	ME-151777	R-01	CASQUILLO CENTRADOR INT. RUEDAS COMPAC. DENTADAS
24	1	MO-151734	R-01	BIELA CORTA RUEDA COMPACTADORA EJE 18.5° P/ 1"x12"

BIELA ESTANDAR

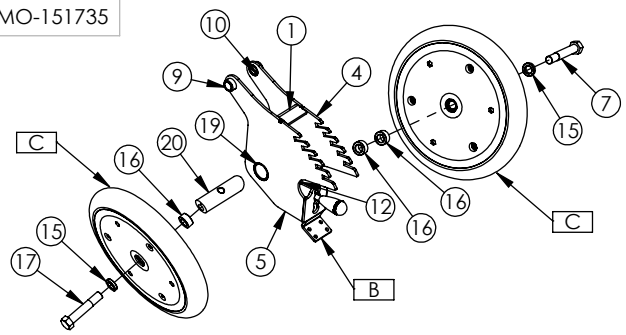
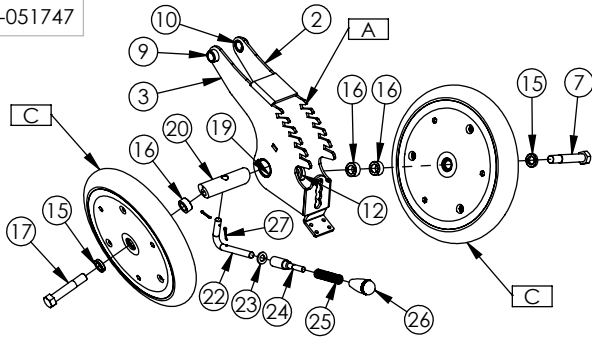
BIELA CORTA

EO-051705 RUEDAS COMPACTADORAS DESFASADAS 2"

EO-051723 RUEDAS COMPACTADORAS 2" BIELA CORTA DESFASADA

MO-051747

MO-151735

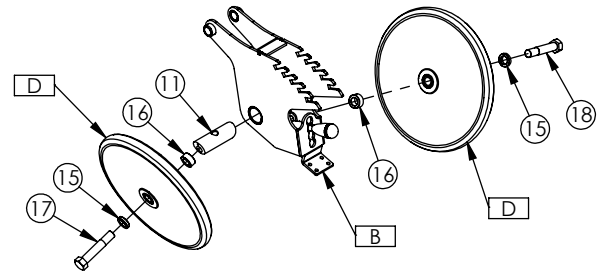
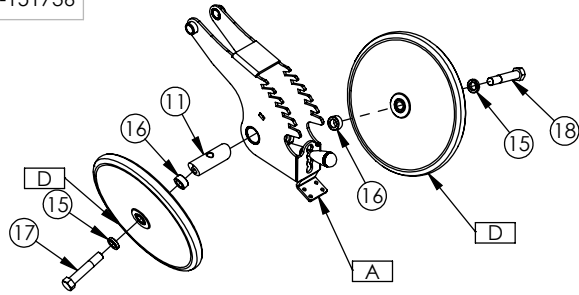


EO-051706 RUEDAS COMPACTADORAS DESFASADAS 1"

EO-051717 RUEDAS COMPACTADORAS 1" BIELA CORTA DESFASADA

MO-151736

MO-151737

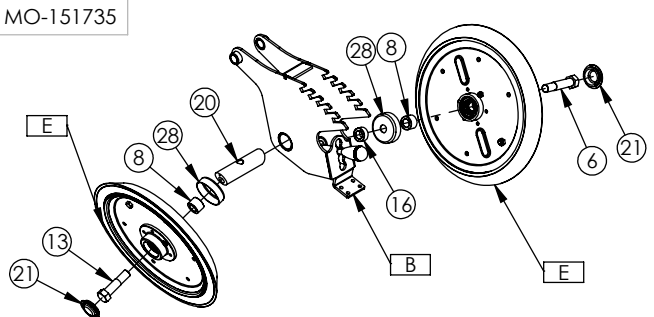
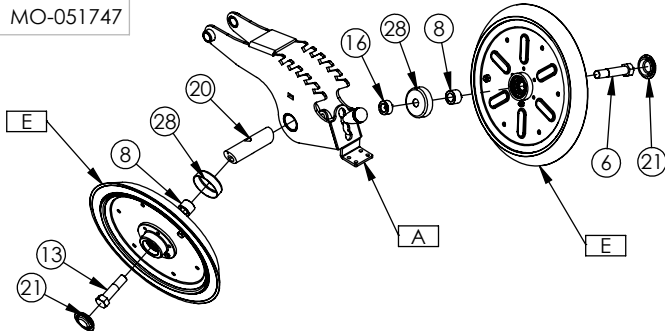


EO-051712 RUEDAS COMPACTADORAS DESFASADAS EN V TRAPEZ.1"x13"

EO-051716 RUEDAS COMPACTA TRPEZ 1"x13" BIELA CORTA DESFASADA

MO-051747

MO-151735

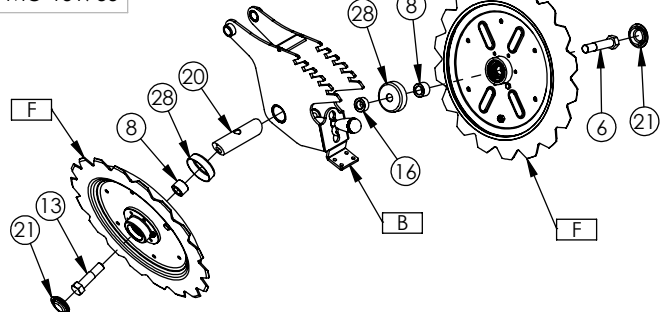
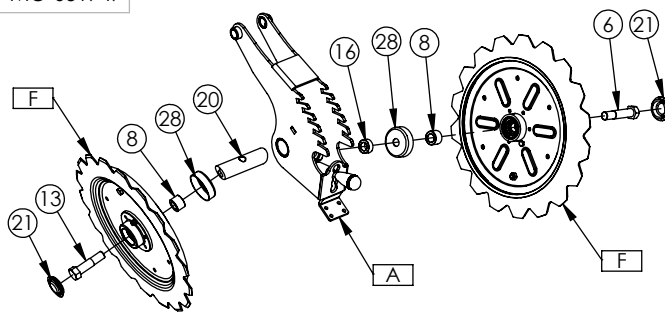


EO-051709 RUEDAS COMPACTADORAS DESFASADAS EN V DENTADAS

EO-051718 RUEDAS COMPACT EN V DENTADAS BIELA CORTA DESFASADA

MO-051747

MO-151735

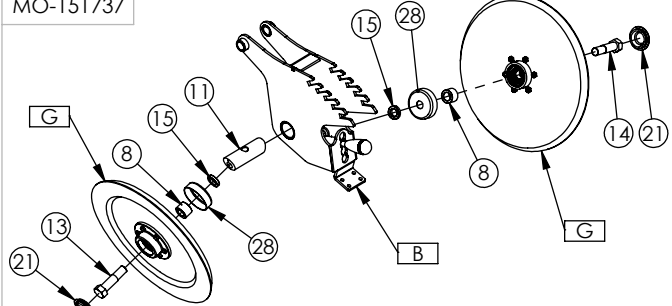
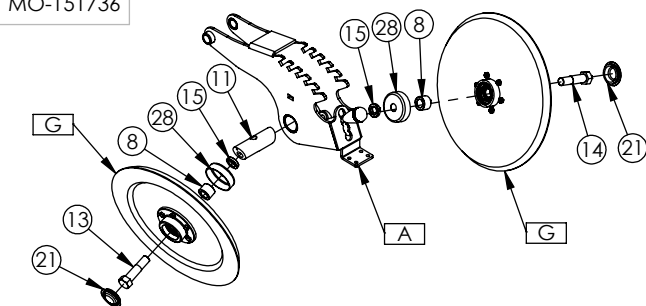


EO-051720 RUEDAS COMPACTADORAS DESFASADAS TRPEZ. FUNDICIÓN

EO-051722 RUEDA COMPAC TRPEZ FUNDICIÓN BIELA CORTA DESFASADA

MO-151736

MO-151737





Nº	Cant.	REF	DENOMINACIÓN
1	10	PX-251749	REFUERZO BIELA CORTA RUEDA COMPACT.
2	8	PX-151773	LATERAL DER. BIELA RUEDA COMPACT. 2010
3	8	PX-151769	LATERAL IZQ. BIELA RUEDA COMPACT. 2010
4	10	PX-151760	LATERAL DER. BIELA CORTA RUEDA COMPACT.
5	10	PX-151759	LATERAL IZQ. BIELA CORTA RUEDA COMPACT.
6	4	ME-251705	TORNILLO RUEDA COMPACT TRAPZ-DENTADA DESFASADA DER
7	2	ME-151791	TORNILLO EJE RUEDAS COMPACT. 2" DESFASADAS DER.
8	26	ME-151777	CASQUILLO CENTRADOR INT. RUEDAS COMPAC. DENTADAS
9	18	ME-051798	CASQUILLO IZQ. SOPORTE RUEDA COMPACTADORA
10	18	ME-051796	CASQUILLO DER. SOPORTE RUEDA COMPACTADORA
11	8	ME-051783	EJE RUEDA COMPACTADORA 18.5° P/RUEDA 1"x12"
12	9	ME-051782	CASQUILLO PARA RUEDAS TAPADORAS DESFASADAS
13	12	ME-051771	TORNILLO EJE RUEDAS COMPACT. DENTADAS IZQ.
14	8	ME-051770	TORNILLO EJE RUEDAS COMPACT. DENTADAS DER.
15	24	ME-051756	CASQUILLO CENTRADOR EXT. RUEDAS COMPAC.
16	20	ME-051755	CASQUILLO CENTRADOR INT. RUEDAS COMPAC.
17	8	ME-051754	TORNILLO EJE RUEDAS COMPACTADORAS IZQ.
18	6	ME-051753	TORNILLO EJE RUEDAS COMPACTADORAS DER.
19	28	ME-051732	CASQUILLO SOLDADO SOPORTE RUEDA COMPACT.
20	11	ME-051710	EJE RUEDA COMPACTADORA 18.5°
21	18	EE-051703	TAPACUBO BUJE DISCO SIEMBRA
22	18	EE-051755	VARILLA REGULACION ANGULO RUEDAS COMP. Ø12,5
23	18	125 12 BI	ARANDELA PLANA DIN 125 12 BI
24	18	ML-051705	MUELLE PALANCA REGULACION ANGULO RUEDAS COMP.
25	18	ME-251706	PALANCA REGULACION ANGULO RUEDAS COMP. C/ROSCA M10
26	18	FE-614077	POMO PLASTICO REGULACION ANGULO RUEDAS COMP. M10
27	36	94 3X20 BI	PASADOR DE ALETAS DIN 94 M 3X20 BI
28	12	EE-051756	PROTECCION RETEN RUEDA DENTADA SD PROSEM
			CONJUNTOS
A		PS-051727	SOPORTE RUEDAS TAPADORAS DESFASADAS
B		PS-151707	BIELA CORTA DESFASADA RUEDA COMPACTADORA
C		CO-051764	RUEDA FLEX 2"x13" C/ROD 40X39 PROSEM K
D		CO-051779	RUEDA FLEX 1"x12" C/ROD PROSEM K
E		CO-051752	RUEDA TAPADORA SECCION TRAPEZ. 1"x13" PROSEM
F		CO-051732	RUEDA TAPADORA DENTADA SIEMBRA DIRECTA PROSEM K
G		CO-251727	RUEDA TAPADORA SECCION TRAPEZ. 328X16 FUNDICION
		AF-051760	CONJUNTO PALANCA REG. RUEDAS COMPACT. PROSEM K
		MO-051747	BIELA RUEDAS TAPADORAS 19° DESFASADAS
		MO-151735	BIELA CORTA DESFASADA RUEDAS COMPACT EJE 18.5°
		MO-151736	BIELA DESFASADA RUEDAS COMPACT EJE 18.5° P/ 1"x12"
		MO-151737	BIELA CORTA DESFASADA RUEDA COMPAC EJE 18.5 1"x12"

BIELA ESTANDAR

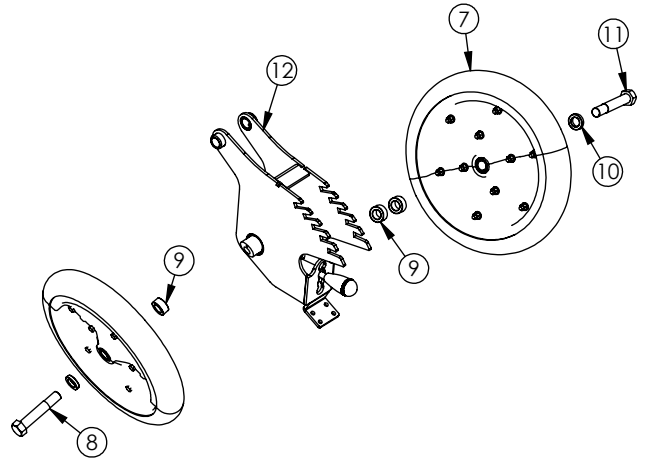
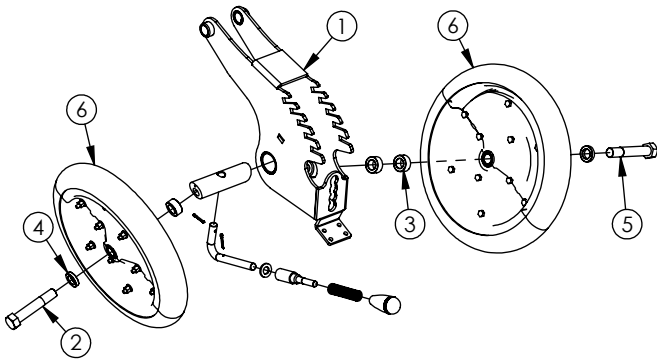
BIELA CORTA

EO-051733 RUEDAS COMPACTADORAS DESFASADAS 2"

EO-051734 RUEDAS COMPACTADORAS 2" BIELA CORTA DESFASADA

MO-051747

MO-151735

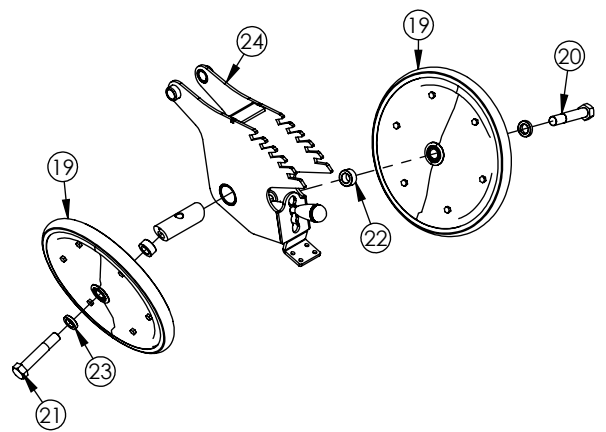
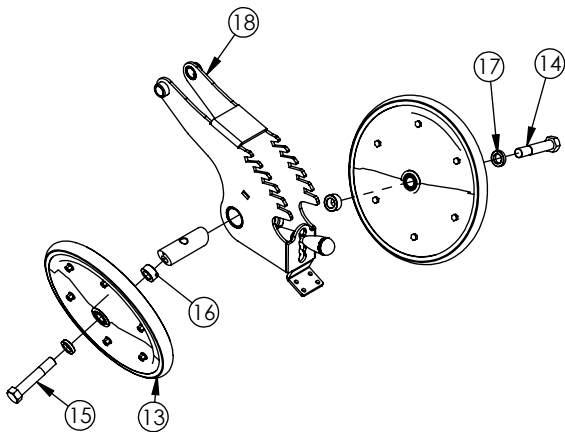


EO-051735 RUEDAS COMPACTADORAS DESFASADAS 1"

EO-051736 RUEDAS COMPACTADORAS 1" BIELA CORTA DESFASADA

MO-151736

MO-151737



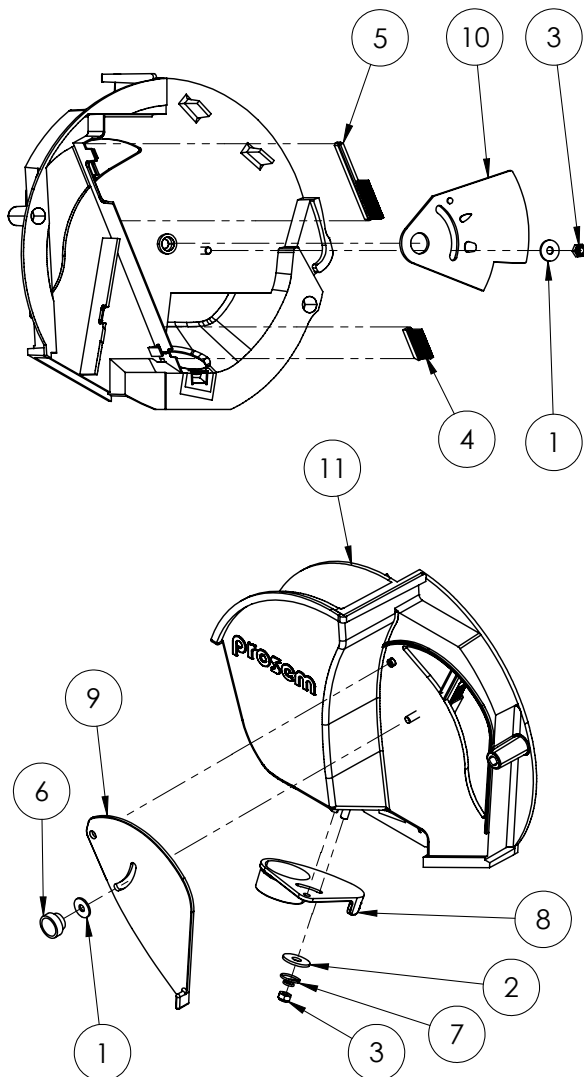
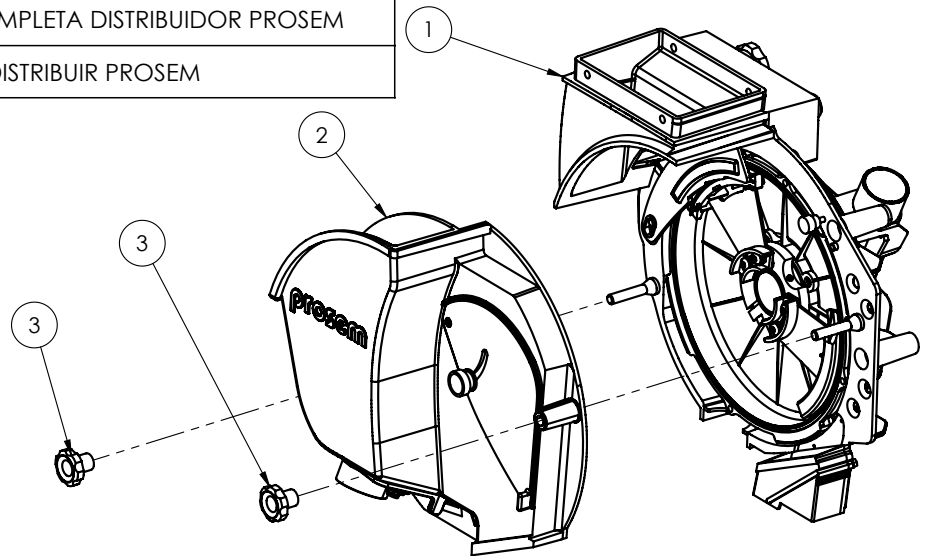
Nº	Cant.	Referencia	Rev.	Descripción
1	1	MO-051747	R-01	BIELA RUEDA COMPACTADORA DESFASADA
2	1	ME-051754	R-01	TORNILLO EJE RUEDAS COMPACTADORAS IZQ.
3	3	ME-051755	R-01	CASQUILLO CENTRADOR INT. RUEDAS COMPAC.
4	2	ME-051756	R-01	CASQUILLO CENTRADOR EXT. RUEDAS COMPAC.
5	1	ME-151791	R-01	TORNILLO EJE RUEDAS COMPACT. 2" DESFASADAS DER.
6	2	CO-251785		RUEDA TAPADORA 2"X13" RODAMIENTO PEER LLANTA METAL

Nº	Cant	Referencia	Rev.	Descripción
7	2	CO-251785		RUEDA TAPADORA 2"X13" RODAMIENTO PEER LLANTA METAL
8	1	ME-051754	R-01	TORNILLO EJE RUEDAS COMPACTADORAS IZQ.
9	3	ME-051755	R-01	CASQUILLO CENTRADOR INT. RUEDAS COMPAC.
10	2	ME-051756	R-01	CASQUILLO CENTRADOR EXT. RUEDAS COMPAC.
11	1	ME-151791	R-01	TORNILLO EJE RUEDAS COMPACT. 2" DESFASADAS DER.
12	1	MO-151735	R-01	BIELA CORTA DESFASADA RUEDAS COMPACT EJE 18.5°

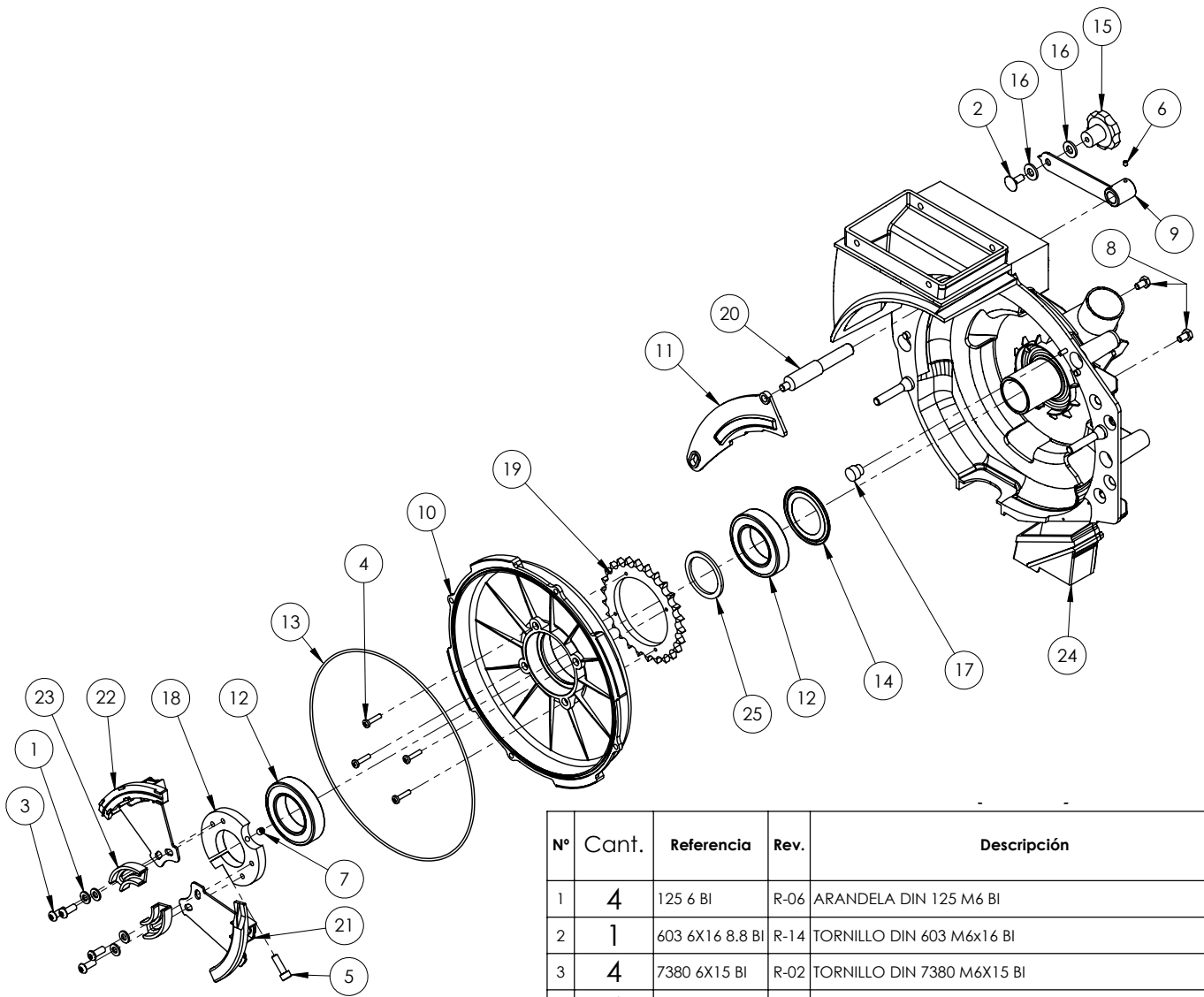
Nº	Cant	Referencia		Descripción
13	2	CO-251784		RUEDA TAPADORA 1"X12" RODAMIENTO PEER LLANTA METAL
14	1	ME-051753	R-01	TORNILLO EJE RUEDAS COMPACTADORAS DER.
15	1	ME-051754	R-01	TORNILLO EJE RUEDAS COMPACTADORAS IZQ.
16	2	ME-051755	R-01	CASQUILLO CENTRADOR INT. RUEDAS COMPAC.
17	2	ME-051756	R-01	CASQUILLO CENTRADOR EXT. RUEDAS COMPAC.
18	1	MO-151736	R-01	BIELA DESFASADA RUEDAS COMPACT EJE 18.5° P/ 1"X12"

Nº	Cant.	Referencia	Rev.	Descripción
19	2	CO-251784		RUEDA TAPADORA 1"X12" RODAMIENTO PEER LLANTA METAL
20	1	ME-051753	R-01	TORNILLO EJE RUEDAS COMPACTADORAS DER.
21	1	ME-051754	R-01	TORNILLO EJE RUEDAS COMPACTADORAS IZQ.
22	2	ME-051755	R-01	CASQUILLO CENTRADOR INT. RUEDAS COMPAC.
23	2	ME-051756	R-01	CASQUILLO CENTRADOR EXT. RUEDAS COMPAC.
24	1	MO-151737	R-01	BIELA CORTA DESFASADA RUEDA COMPACT EJE 18.5 1"X12"

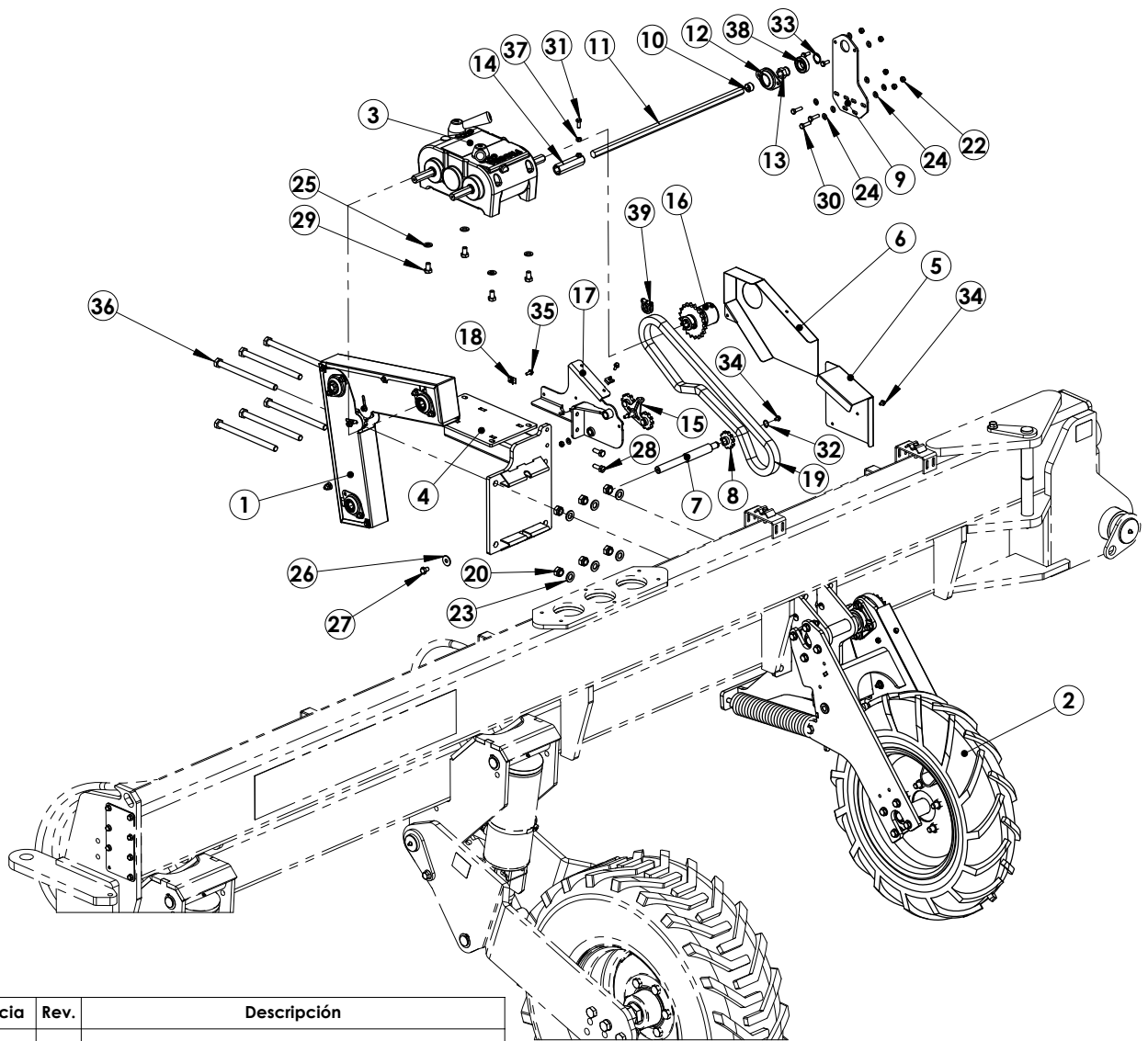
Nº	Cant.	Referencia	Descripción
1	1	MO-241750	CUERPO PLASTICO COMPLETO DISTR. PROSEM 2015
2	1	MO-141763	TAPA PLASTICO COMPLETA DISTRIBUIDOR PROSEM
3	2	FE-614007	POMO M8 CIERRE DISTRIBUIR PROSEM



Nº	Cant.	Referencia	Rev.	Descripción
1	2	9021 6 BI	R-02	ARANDELA PLANA DIN 9021 M6 BI
2	1	9021 8 BI	R-02	ARANDELA PLANA DIN 9021 M8 BI
3	2	985 6	R-08	TUERCA DIN 985 M6
4	1	CO-141785	R-02	CEPILLO CORTO (L=30) P/TAPA PLASTICO DISTRIBUIDOR
5	1	CO-141786	R-02	CEPILLO LARGO (L=73) P/TAPA PLASTICO DISTRIBUIDOR
6	1	FE-614037	R-02	POMO Ø22 TUERCA M6
7	1	ML-041708	R-02	MUELLE BLOQUEO PUERTA DESCARG. DISTR.
8	1	PL-041710	R-02	PUERTA DESCARGA SEMILLA PROSEM
9	1	PL-041711	R-03	PUERTA INSPECCION DISTRIBUIDOR PROSEM
10	1	PL-041712	R-03	REGULADOR ENTRADA SEMILLA DISTRIBUIDOR
11	1	PL-041726	R-02	TAPA DISTRIBUIDOR PROSEM ABS+PC

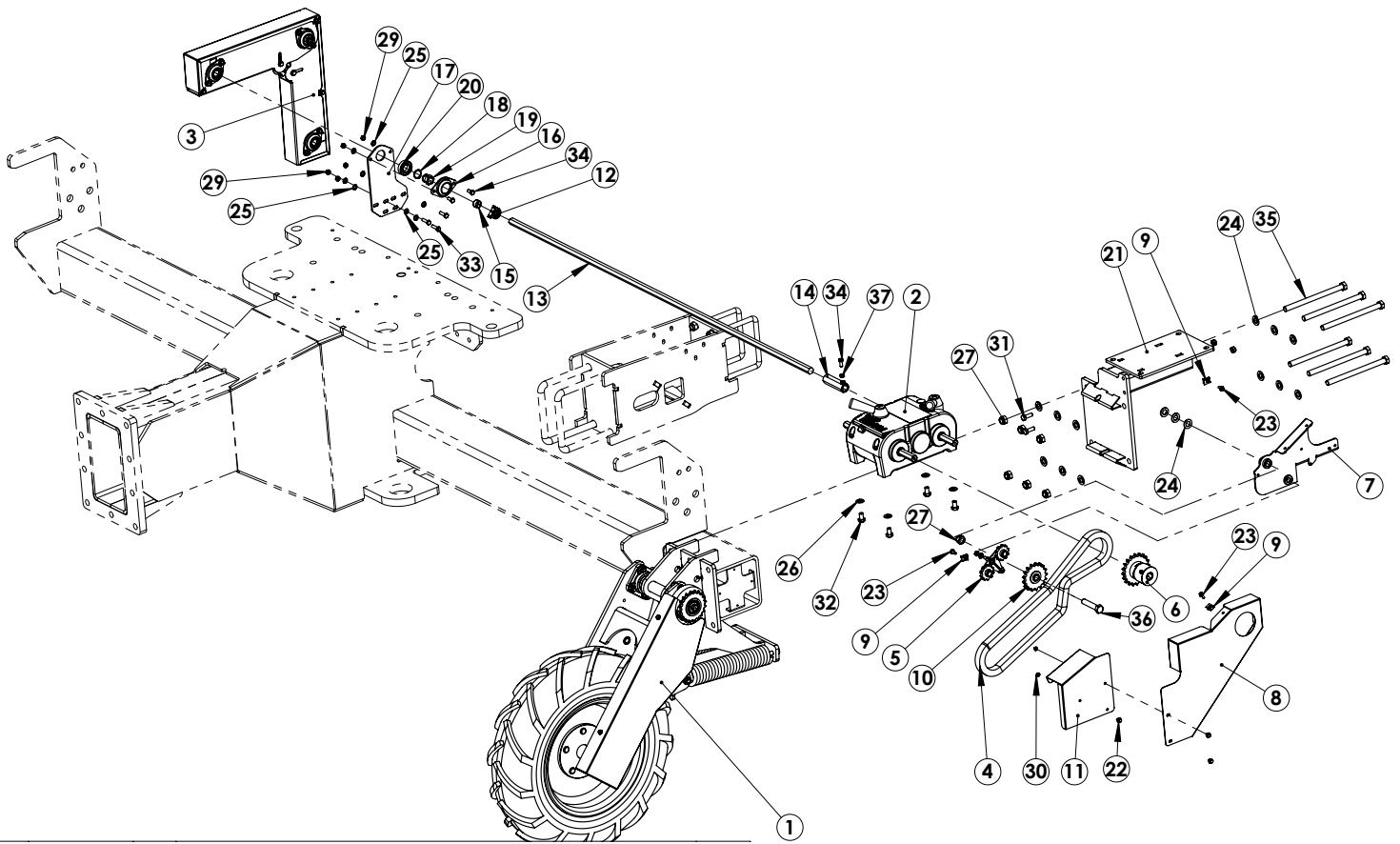


Nº	Cant.	Referencia	Rev.	Descripción
1	4	125 6 BI	R-06	ARANDELA DIN 125 M6 BI
2	1	603 6X16 8.8 BI	R-14	TORNILLO DIN 603 M6x16 BI
3	4	7380 6X15 BI	R-02	TORNILLO DIN 7380 M6X15 BI
4	4	7985 4x18 BI	R-02	TORNILLO DIN 7985 M4x18 BI
5	1	912 6X20 8,8	R-13	TORNILLO ALLEN DIN 912 M6x20 8,8
6	1	914 4X5 BI	R-09	ESPARRAGO ALLEN DIN 914 M4x5 BI
7	1	914 6X8 BI	R-09	ESPARRAGO ALLEN DIN 914 M6x8 BI
8	2	933 6X10 8.8B	R-15	TORNILLO DIN 933 M6x10 8,8 BI
9	1	CO-041724	R-03	INDICADOR SELECTOR PROSEM
10	1	CO-041729	R-03	CAMPANA DISTRIBUIDOR C/IMANES
11	1	CO-041730	R-03	SELECTOR DISTRIBUIDOR C/IMAN
12	2	FE-600620	R-02	RODAMIENTO 6008 DDU NSK
13	1	FE-601023	R-02	JUNTA TORICA DE221,92X2,62 NBR-70°
14	1	FE-601031	R-02	ANILLO NILOS 6008 ZAV
15	1	FE-614010	R-02	POMO M6 REG. SELECTOR PROSEM
16	2	FE-614012	R-02	ARANDELA PLASTICA 8X17X2
17	1	FE-614084	R-02	POMO M4 ØPOMO<15 EXPULSOR SEMILLA
18	1	ME-041743	R-03	BRIDA SOPORTE PATINES DISTRIBUIDOR PROSEM
19	1	ME-241726	R-04	PIÑON Z26 DISTRIBUIDOR PROSEM
20	1	ME-341798	R-06	BULON LARGO EXCENTRICO SELECTOR DISTR. PL PROSEM
21	1	MO-041754	R-03	PATIN CAIDASEMILLA C/SOPORTE PROSEM
22	1	MO-041755	R-03	PATIN CONTRASELECTOR C/SOPORTE PROSEM
23	2	PL-041703	R-03	PATIN CENTRAL DISTR. PROSEM
24	1	PL-041761	R-03	CARCASA DISTR. PLASTICO 2015 C/INSERTOS PROSEM
25	1	PL-041762	R-05	ARANDELA PLASTICO Ø50XØ40X2,85



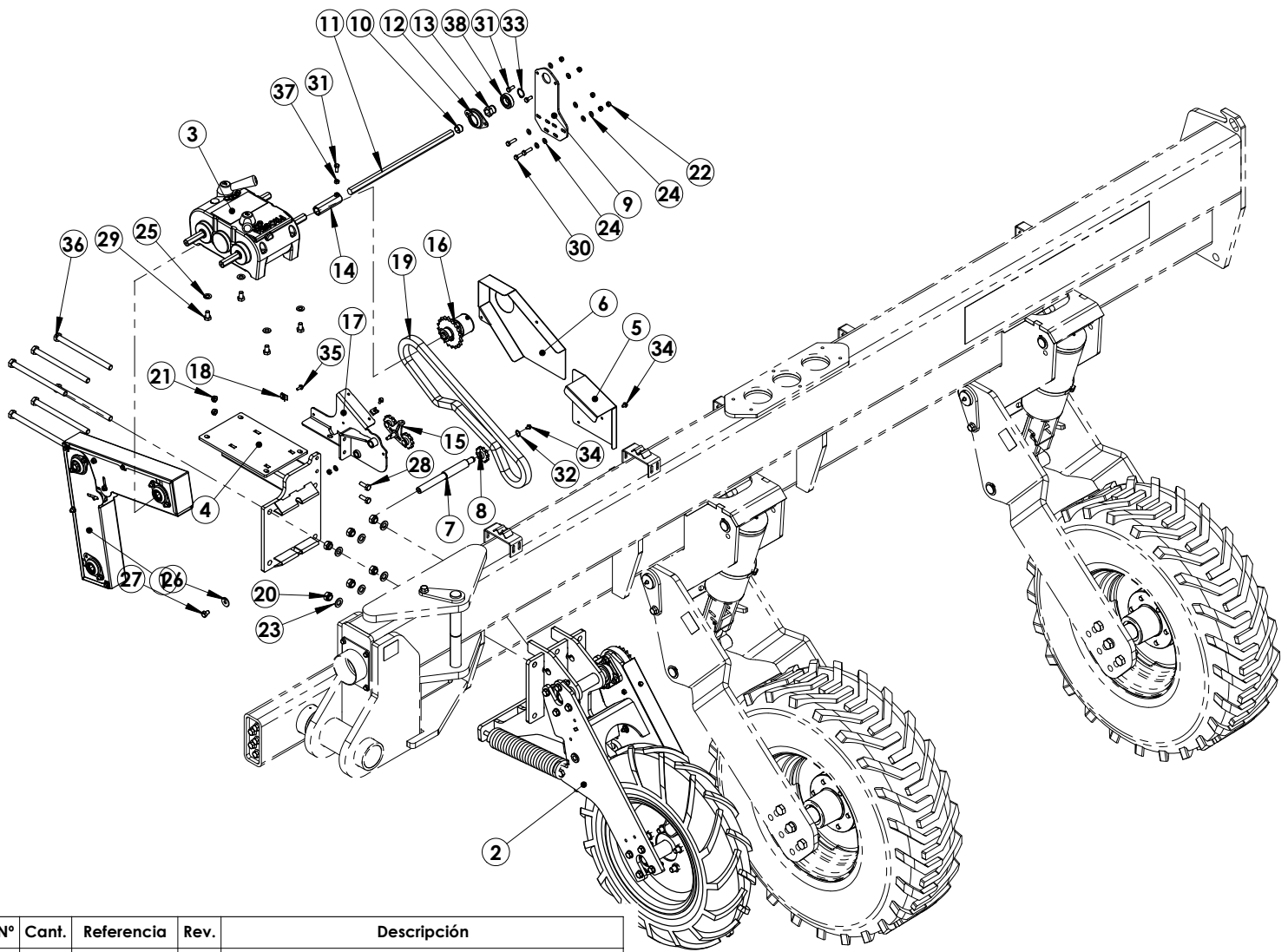
Nº	Cant.	Referencia	Rev.	Descripción
1	1	MO-241772	R-02	TRASMISION EN V ELEMENTOS HARVEST ULTRAMAX
2	1	MO-241777	R-02	PREMONTAJE RUEDA TRASM. HARVEST
3	1	CO-141791	R-01	CAMBIO 16 VEL. GF (MOD-2010) EJES HEX.
4	1	PS-241765	R-02	SOPORTE CAMBIO NORTON HARVEST ULTRAMAX
5	1	PX-541717	R-01	TAPA CADENA REENVIO Z20 RUEDA TRASM. HARVEST
6	1	PX-541718	R-01	TAPACADENA TRASM. ENTRADA CAMBIO LAT. HARVEST
7	1	ME-541700	R-01	EJE REENVIO CADENA RUEDA LAT. TRASM. HARVEST.
8	1	PL-041718	R-01	PIÑON PARA TENSOR CADENA 5/8"
9	1	PX-541731	R-02	SOPORTE TRASMISION V HARVEST
10	1	CN-817059	R-01	CAPSULA PROTECCION TUERCA M12 HEX19
11	1	CT-141791	R-01	EJE HEX. 19 L=600 mm
12	1	EE-041701	R-01	SOPORTE RODAMIENTO 6005
13	1	ME-041711	R-01	EJE TUBO HEX. PARA 6005 P.V.
14	1	PS-141757	R-01	MANGUITO UNION HEX19 L=100 C/1TUERCA
15	1	MO-041769	R-01	TENSOR PARA CADENA 5/8"
16	1	CO-141783/1	R-01	RUEDA LIBRE MECANICA COMPACTA IZQ.
17	1	PS-241762	R-01	SOPORTE TRASMISION ENTRADA CAMBIO HARVEST
18	2	FE-614091	R-03	TUERCA RAPIDA "U" TRT-M6-2 ZINCADO
19	1	FE-605200	R-02	CADENA 5/8" ISO 10B-1 A&S L=1333,5 83P+1E ABIERTA
20	6	985 16	R-09	TUERCA DIN 985 M16
21	2	985 10	R-09	TUERCA DIN 985 M10
22	6	985 8	R-09	TUERCA DIN 985 M8
23	12	125 16 BI	R-06	ARANDELA DIN 125 M16 BI
24	9	125 8 BI	R-06	ARANDELA DIN 125 M8 BI
25	4	125 12 BI	R-06	ARANDELA DIN 125 M12 BI

Nº	Cant.	Referencia	Rev.	Descripción
26	1	9021 10 BI	R-02	ARANDELA PLANA DIN 9021 M10 BI
27	1	933 10X15 8.8 B	R-15	TORNILLO DIN 933 M10x15 8,8 BI
28	2	933 10X30 8.8 B	R-15	TORNILLO DIN 933 M10x30 8,8 BI
29	4	933 12X20 I	R-15	TORNILLO DIN 933 M12x20 INOX
30	3	933 8X30 8.8B	R-15	TORNILLO DIN 933 M8x30 8,8 BI
31	3	933 8X20 8.8B	R-15	TORNILLO DIN 933 M8x20 8,8 BI
32	1	471 16	R-06	ANILLO SAEGER DIN 471 Ø16
33	1	471 25	R-06	ANILLO SAEGER DIN 471 Ø25
34	2	6921 6X10 8.8B	R-07	TORNILLO DIN 6921 M6x10 8.8 BI
35	2	6921 6X16 8.8B	R-07	TORNILLO DIN 6921 M6x16 8.8 BI
36	6	931 16X230 8.8B	R-14	TORNILLO DIN 931 M16x230 8.8 BI
37	1	934 8	R-07	TUERCA DIN 934 M8
38	1	FE-600047	R-01	RODAMIENTO 6005 2RS
39	1	AF-041701	R-02	CONJUNTO BLOQUEADOR HEXAGONAL 19



Nº	Cant.	Referencia	Rev.	Descripción
1	1	MO-241777	R-01	PREMONTAJE RUEDA TRASM. HARVEST
2	1	CO-141791	R-02	CAMBIO 16 VEL. GF (MOD-2010) EJES HEX.
3	1	MO-241772	R-02	TRASMISION EN V ELEMENTOS HARVEST ULTRAMAX
4	1	FE-605200	R-02	CADENA 5/8" ISO 10B-1 A&S L=1333,5 83P+1E ABIERTA
5	1	MO-041769	R-01	TENSOR PARA CADENA 5/8"
6	1	CO-141783/1	R-01	RUEDA LIBRE MECANICA COMPACTA IZQ.
7	1	PS-241762	R-01	SOPORTE TRASMISION ENTRADA CAMBIO HARVEST
8	1	PX-541719	R-01	TAPACADENA TRASM. ENTRADA CAMBIO CENTRAL HARVEST
9	3	FE-614091	R-03	TUERCA RAPIDA "U" TRT-M6-2 ZINCADO
10	1	FE-609098	R-02	
11	1	PX-541717	R-01	TAPA CADENA REENVIO Z20 RUEDA TRASM. HARVEST
12	1	AF-041701	R-02	CONJUNTO BLOQUEADOR HEXAGONAL 19
13	1	CT-141766	R-01	EJE CENTRAL TRANS. CENTRAL V250 45-75 L=1600
14	1	PS-141757	R-01	MANGUITO UNION HEX19 L=100 C/1TUERCA
15	1	CN-817059	R-02	CAPSULA PROTECCION TUERCA M12 HEX19
16	1	EE-041701	R-01	SOPORTE RODAMIENTO 6005
17	1	PX-541731	R-02	SOPORTE TRASMISION V HARVEST
18	1	471 25	R-02	ANILLO SAEGER DIN 471 Ø25
19	1	ME-041711	R-01	EJE TUBO HEX. PARA 6005 P.V.
20	1	FE-600047	R-01	RODAMIENTO 6005 2RS
21	1	PS-241765	R-02	SOPORTE CAMBIO NORTON HARVEST ULTRAMAX
22	3	6921 6X10 8.8B	R-07	TORNILLO DIN 6921 M6x10 8.8 BI
23	3	6921 6X16 8.8B	R-07	TORNILLO DIN 6921 M6x16 8.8 BI
24	15	125 16 BI	R-06	ARANDELA DIN 125 M16 BI
25	9	125 8 BI	R-06	ARANDELA DIN 125 M8 BI

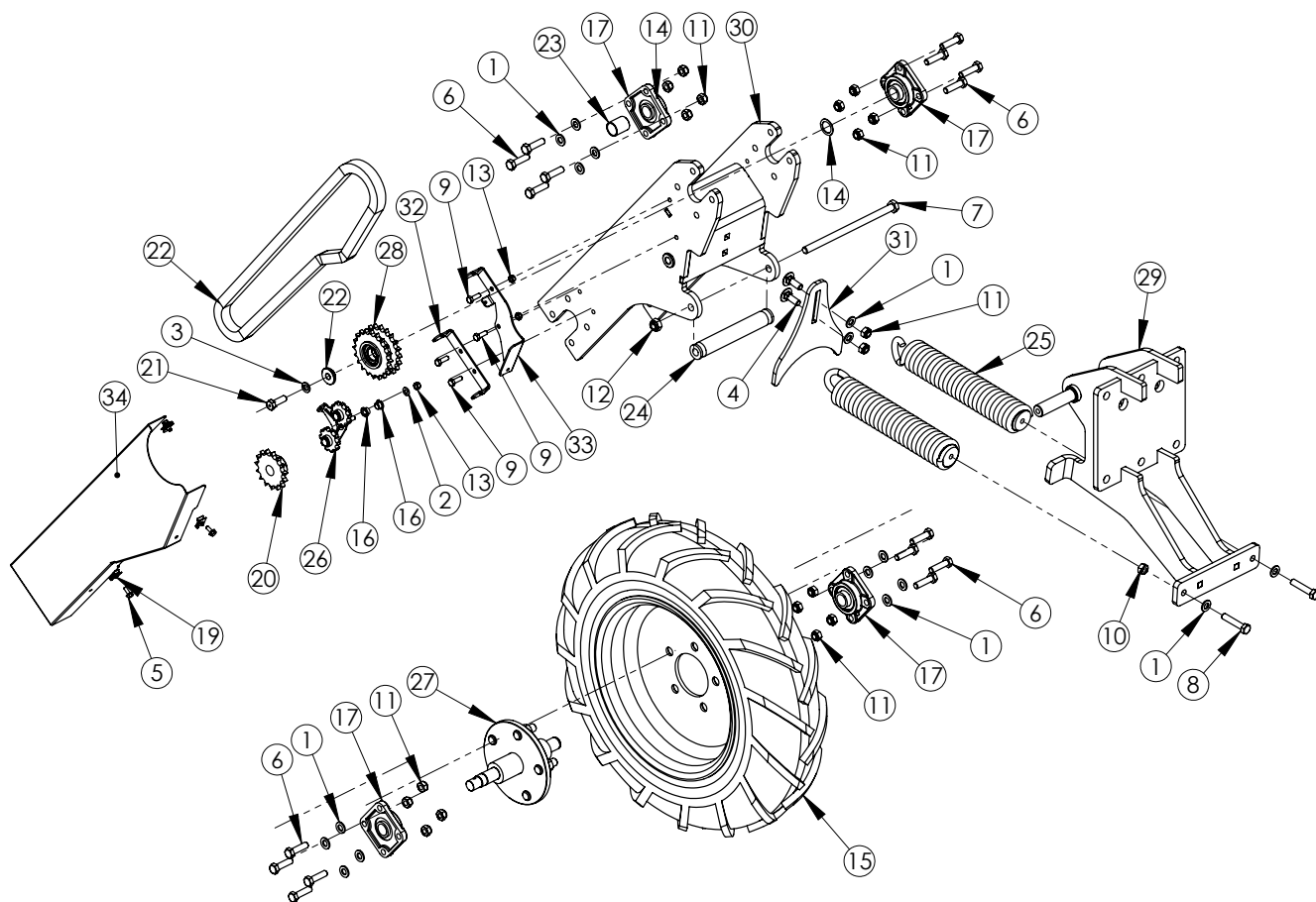
Nº	Cant.	Referencia	Rev.	Descripción
26	4	125 12 BI	R-06	ARANDELA DIN 125 M12 BI
27	7	985 16	R-08	TUERCA DIN 985 M16
28	2	985 10	R-08	TUERCA DIN 985 M10
29	6	985 8	R-08	TUERCA DIN 985 M8
30	2	985 6	R-08	TUERCA DIN 985 M6
31	2	933 10X30 8.8 B	R-15	TORNILLO DIN 933 M10x30 8.8 BI
32	4	933 12X20 I	R-15	TORNILLO DIN 933 M12x20 INOX
33	3	933 8X30 8.8B	R-15	TORNILLO DIN 933 M8x30 8.8 BI
34	3	933 8X20 8.8B	R-15	TORNILLO DIN 933 M8x20 8.8 BI
35	6	931 16X230 8.8B	R-12	TORNILLO DIN 931 M16x230 8.8 BI
36	1	931 16X80 8.8B	R-12	TORNILLO DIN 931 M16x80 8.8 BI
37	1	934 8	R-04	TUERCA DIN 934 M8



Nº	Cant.	Referencia	Rev.	Descripción
1	1	MO-241772	R-02	TRASMISION EN V ELEMENTOS HARVEST ULTRAMAX
2	1	MO-241777	R-02	PREMONTAJE RUEDA TRASM. HARVEST
3	1	CO-141791	R-02	CAMBIO 16 VEL. GF (MOD-2010) EJES HEX.
4	1	PS-241765	R-02	SOPORTE CAMBIO NORTON HARVEST ULTRAMAX
5	1	PX-541717	R-01	TAPA CADENA REENVIO Z20 RUEDA TRASM. HARVEST
6	1	PX-541718	R-01	TAPACADENA TRASM. ENTRADA CAMBIO LAT. HARVEST
7	1	ME-541700	R-01	EJE REENVIO CADENA RUEDA LAT. TRASM. HARVEST.
8	1	PL-041718	R-01	PIÑON PARA TENSOR CADENA 5/8"
9	1	PX-541731	R-02	SOPORTE TRASMISION V HARVEST
10	1	CN-817059	R-02	CAPSULA PROTECCION TUERCA M12 HEX19
11	1	CT-141706	R-01	EJE HEX 19 L=450 MM
12	1	EE-041701	R-01	SOPORTE RODAMIENTO 6005
13	1	ME-041711	R-01	EJE TUBO HEX. PARA 6005 P.V.
14	1	PS-141757	R-01	MANGUITO UNION HEX19 L=100 C/1TUERCA
15	1	MO-041769	R-01	TENSOR PARA CADENA 5/8"
16	1	CO-141783/I	R-01	RUEDA LIBRE MECANICA COMPACTA IZQ.
17	1	PS-241762	R-01	SOPORTE TRASMISION ENTRADA CAMBIO HARVEST
18	2	FE-614091	R-03	TUERCA RAPIDA "U" TRT-M6-2 ZINCADO
19	1	FE-605200	R-02	CADENA 5/8" ISO 10B-1 A&S L=1333,5 83P+1E ABIERTA
20	6	985 16	R-09	TUERCA DIN 985 M16
21	2	985 10	R-09	TUERCA DIN 985 M10
22	6	985 8	R-09	TUERCA DIN 985 M8
23	12	125 16 BI	R-06	ARANDELA DIN 125 M16 BI
24	9	125 8 BI	R-06	ARANDELA DIN 125 M8 BI
25	4	125 12 BI	R-06	ARANDELA DIN 125 M12 BI

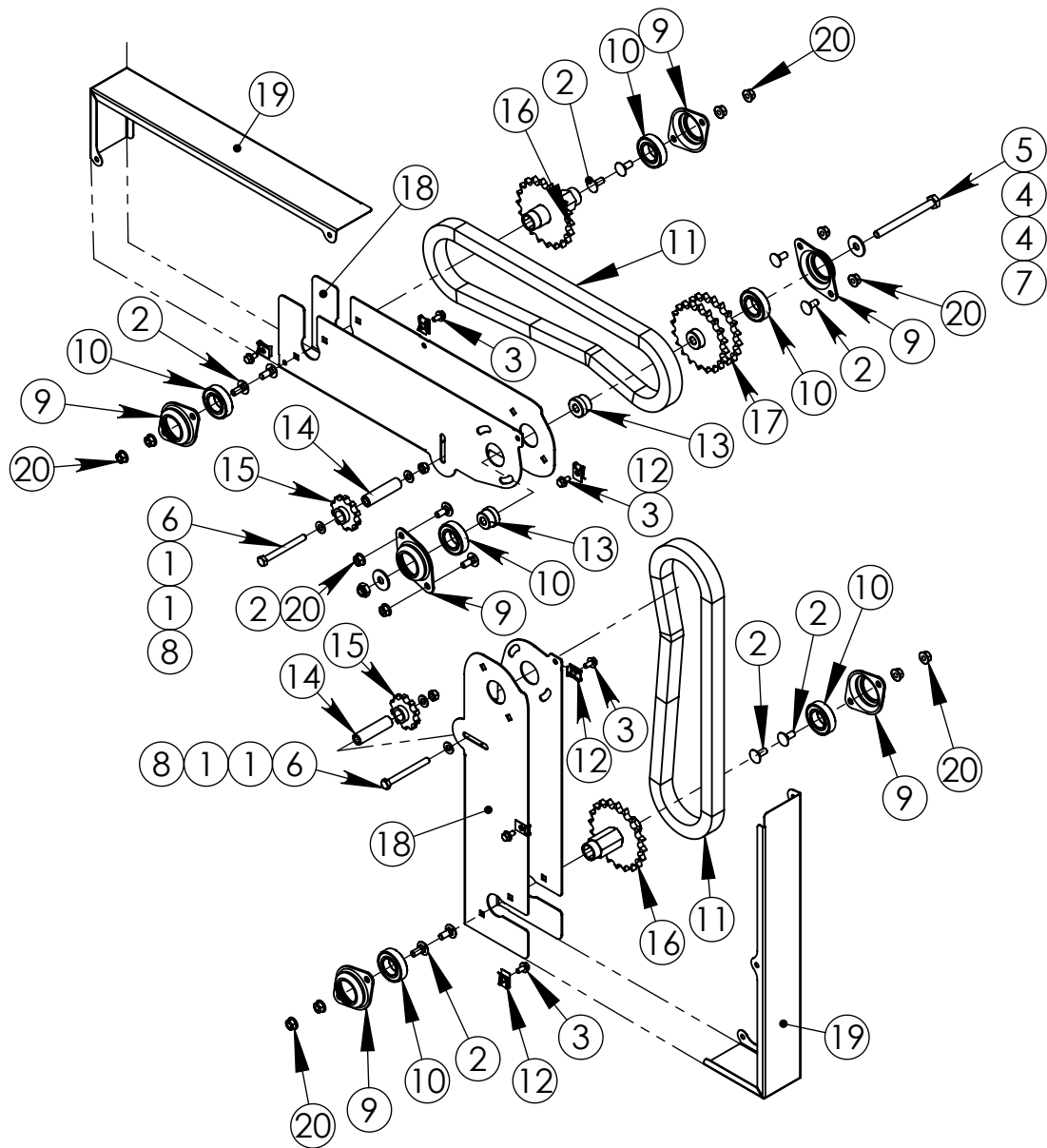
Nº	Cant.	Referencia	Rev.	Descripción
26	1	9021 10 BI	R-02	ARANDELA PLANA DIN 9021 M10 BI
27	1	933 10X15 8.8 B	R-15	TORNILLO DIN 933 M10x15 8,8 BI
28	2	933 10X30 8.8 B	R-15	TORNILLO DIN 933 M10x30 8,8 BI
29	4	933 12X20 I	R-15	TORNILLO DIN 933 M12x20 INOX
30	3	933 8X30 8.8B	R-15	TORNILLO DIN 933 M8x30 8,8 BI
31	3	933 8X20 8.8B	R-15	TORNILLO DIN 933 M8x20 8,8 BI
32	1	471 16	R-06	ANILLO SAEGER DIN 471 Ø16
33	1	471 25	R-06	ANILLO SAEGER DIN 471 Ø25
34	2	6921 6X10 8.8B	R-07	TORNILLO DIN 6921 M6x10 8.8 BI
35	2	6921 6X16 8.8B	R-07	TORNILLO DIN 6921 M6x16 8.8 BI
36	6	931 16X230 8.8B	R-14	TORNILLO DIN 931 M16x230 8.8 BI
37	1	934 8	R-07	TUERCA DIN 934 M8
38	1	FE-600047	R-01	RODAMIENTO 6005 2RS



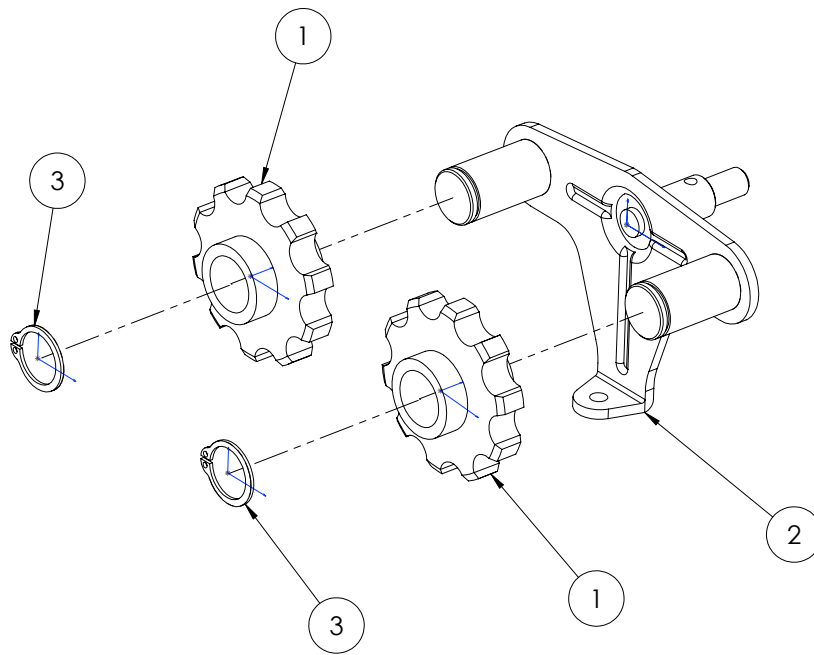


N°	Cant.	Referencia	Rev.	Descripción
1	20	125 12 BI	R-08	ARANDELA DIN 125 M12 BI
2	1	125 8 BI	R-08	ARANDELA DIN 125 M8 BI
3	1	127 12 BI	R-03	ARANDELA GROWER DIN 127 12 BI
4	2	603 12X35 BI	R-16	TORNILLO DIN 603 M12X35 8.8 BI
5	4	6921 6X16 8.8B	R-07	TORNILLO DIN 6921 M6x16 8.8 BI
6	16	931 12X45 8.8B	R-17	TORNILLO DIN 931 M12x45 8.8 BI
7	1	931 14X250 8.8B	R-17	TORNILLO DIN 931 M14x250 8.8 BI
8	2	933 12X60 8.8B	R-18	TORNILLO DIN 933 M12x60 8.8 BI
9	4	933 8X25 8.8B	R-18	TORNILLO DIN 933 M8x25 8.8 BI
10	2	934 12 BI	R-07	TUERCA DIN 934 M12 BI
11	18	985 12	R-09	TUERCA DIN 985 M12
12	1	985 14	R-09	TUERCA DIN 985 M14
13	5	985 8	R-09	TUERCA DIN 985 M8
14	2	988 25X35X1	R-02	ARANDELA DE AJUSTE SAEGER
15	1	CO-041902-D	R-02	RUEDA 6.5/80-15 4PR94 MOTRZ DER ANCH<170mmPROT.VALV
16	2	FE-600008	R-01	CASQ. FRICCIÓN 12X14X9 C/VALONA
17	4	FE-600052	R-02	RODAMIENTO CON SOPORTE UCF205-C
22	1	FE-605072	R-02	CADENA 5/8" ISO 10B-1 A&S L=1428,8 89P+1E ABIERT
19	4	FE-614091	R-03	TUERCA RAPIDA "U" TRT-M6-2 ZINCADO
20	1	ME-041905	R-01	PIÑON 15Z RUEDA REGULABLE ALTURA
21	1	ME-051706	R-01	TORNILLO HUSILLO REGULACIÓN
22	1	ME-151778	R-01	ARANDELA SUJECION CASQUILLO BIELA CTRL.PROFUNDIDAD
23	1	ME-541702	R-01	CASQUILLO Ø30XØ26X36 RUEDA TRASM. HARVEST
24	1	ME-541708	R-01	CASQUILLO ANCLAJE MUELLE RUEDA TRASM. HARVEST
25	2	ML-041724	R-01	MUELLE RUEDA TRASM. HARVEST Ø12XØ65
26	1	MO-041769	R-01	TENSOR PARA CADENA 5/8"

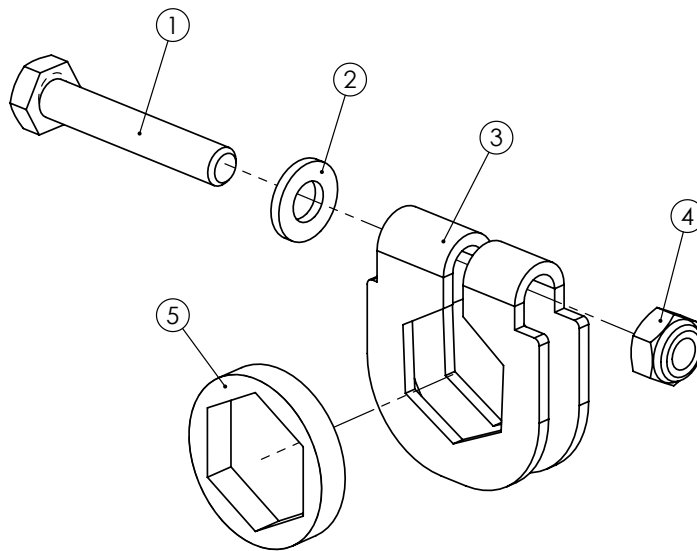
N°	Cant.	Referencia	Rev.	Descripción
27	1	MO-141751	R-02	EJE RUEDA 6.5" CON PERNOS 2009
28	1	MO-241778	R-01	DOBLE PIÑON Z20 RUEDA TRASM. HARVEST
29	1	PS-241749	R-02	SOPORTE RUEDA TRASM. HARVEST ULTRAMAX
30	1	PS-241750	R-04	BIELA RUEDA TRASM. HARVEST ULTRAMAX
31	1	PX-046055	R-02	RASCADOR RUEDA TRANSMISION
32	1	PX-541714	R-01	SOPORTE INF. TAPACADENA RUEDA TRASM. HARVEST ULTRA
33	1	PX-541715	R-01	SOPORTE SUP. TAPACADENA RUEDA TRASM. HARVEST ULTRA
34	1	PX-541716	R-01	TAPACADENA RUEDA TRASM. HARVEST ULTRAMAX



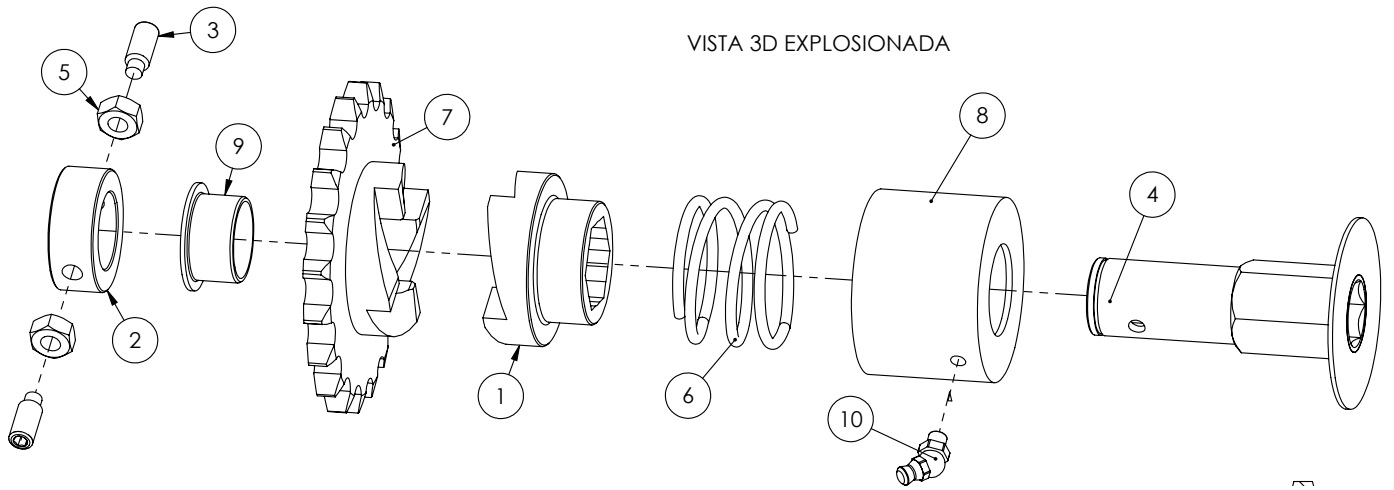
Nº	Cant.	Referencia	Rev.	Descripción
1	4	125 8 BI	R-06	ARANDELA DIN 125 M8 BI
2	12	603 8X20 I C-C	R-14	TORNILLO DIN 603 M8X20 INOX CUELLO CORTO
3	6	6921 6X12 8.8B	R-07	TORNILLO DIN 6921 M6x12 8.8 BI
4	2	9021 10 BI	R-02	ARANDELA PLANA DIN 9021 M10 BI
5	1	931 10X110 8.8B	R-14	TORNILLO DIN 931 M10x110 8.8 BI
6	2	931 8X80 8.8B	R-14	TORNILLO DIN 931 M8x80 8.8 BI
7	1	985 10	R-09	TUERCA DIN 985 M10
8	2	985 8	R-09	TUERCA DIN 985 M8
9	6	EE-041701	R-01	SOPORTE RODAMIENTO 6005
10	6	FE-600047	R-01	RODAMIENTO 6005 2RS
11	2	FE-605201	R-02	CADENA 5/8" ISO 10B-1 SD L=1047,75 65P+1E ABIERTA
12	6	FE-614091	R-03	TUERCA RAPIDA "U" TRT-M6-2 ZINCADO
13	2	ME-241721	R-01	APOYO LATERAL EJE DOBLE PIÑON TRASM. EN "V"
14	2	ME-441796	R-01	CASQUILLO TENSOR TRASM. V HARVEST
15	2	PL-041718	R-02	PIÑON PARA TENSOR CADENA 5/8"
16	2	PS-241757	R-02	PIÑON Z20 10B-1 EJE HEX. TRASM. V HARVEST
17	1	PS-241758	R-01	DOBLE PIÑON Z20 TRASM V HARVEST
18	2	PX-541703	R-02	CHAPA INF. TRASM. V ELEM. HARVEST ULTRAMAX
19	2	PX-541704	R-02	CARTER TRASM. V ELEM. HARVEST ULTRAMAX
20	12	6923 8 8.8 BI	R-02	Tuerca DIN 6923 M8 8.8 BI



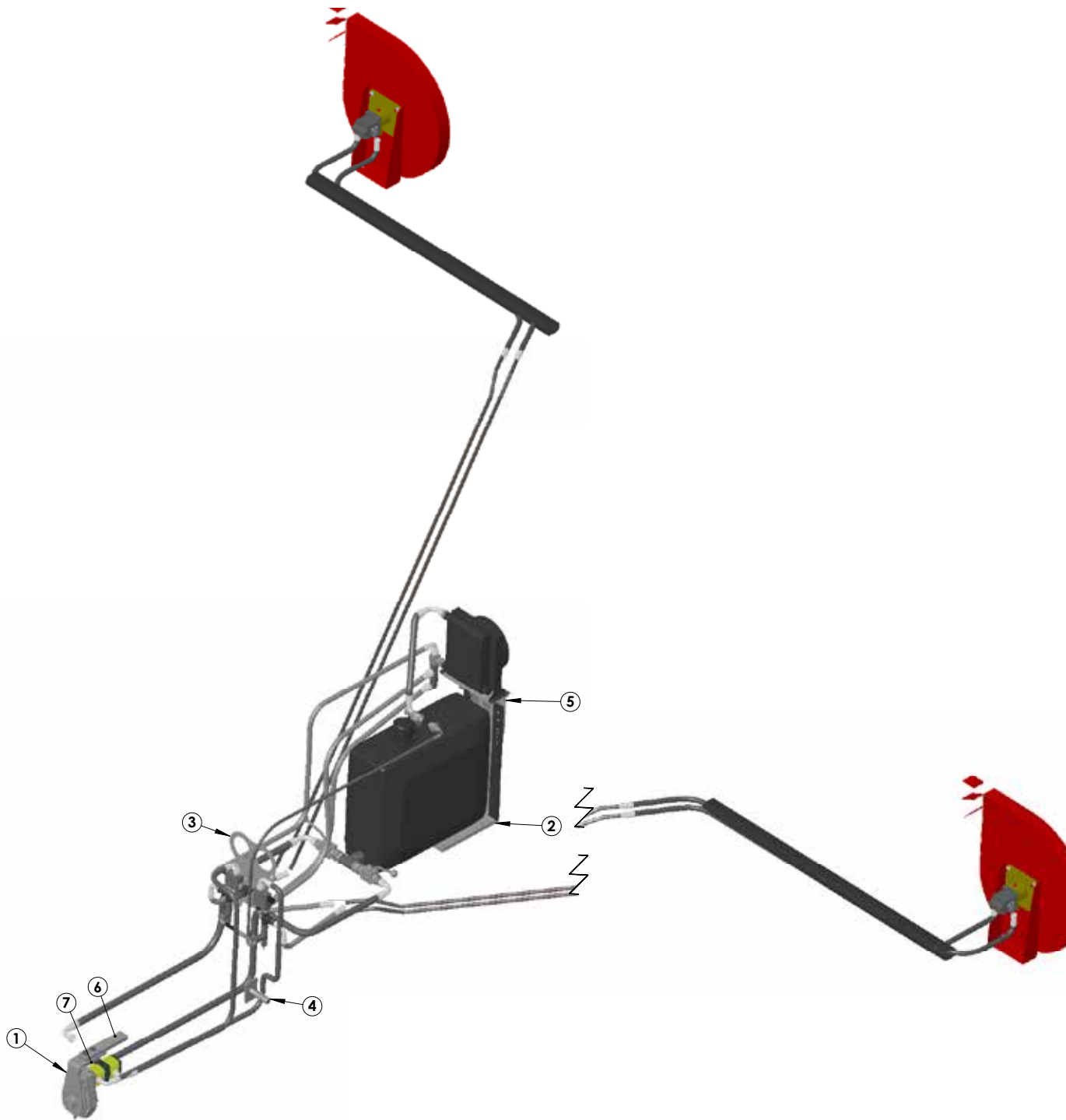
Nº	Cant.	Referencia	Descripción
1	2	PL-041718	PIÑÓN PARA TENSOR CADENA 5/8"
2	1	CO-041786	TENSOR CADENA
3	2	471-16	ANILLO DIN 471-16



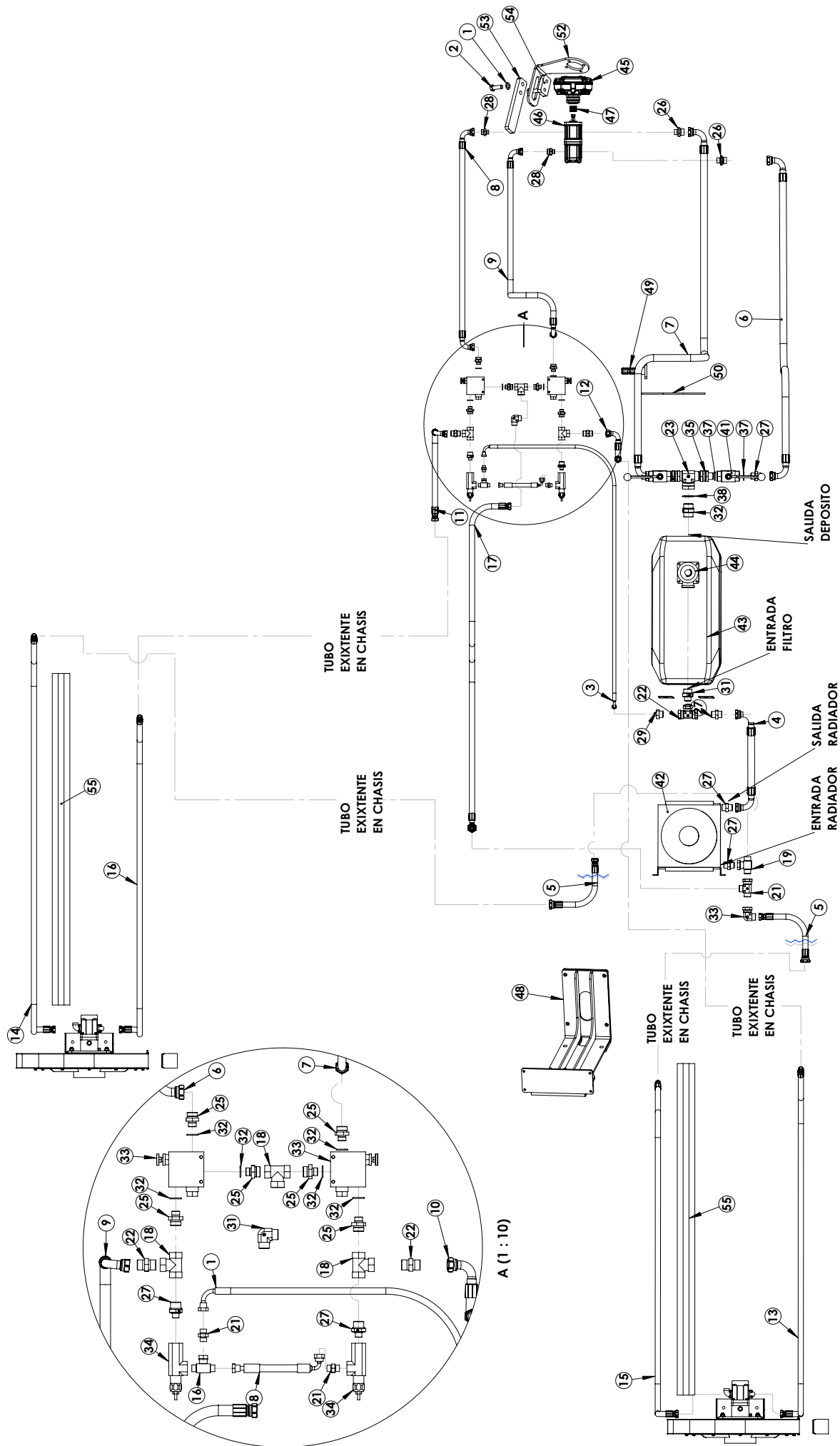
Nº	Cant.	Referencia	Rev.	Descripción
1	1	931 6X35 8.8B	R-05	TORNILLO DIN 931 M6x35 8.8 BI
2	1	125 6 BI	R-06	ARANDELA DIN 125 M6 BI
3	1	PX-141726	R-01	BLOQUEADOR HEX. 19
4	1	985 6	R-06	TUERCA DIN 985 M6
5	1	PX-042820	R-01	DISTANCIADOR HEX. 19 E=5



Nº	Cant	Referencia	Descripción
1	1	ME-341761/I	DESPLAZABLE RUEDA LIBRE MECANICA COMP IZQ
2	1	ME-341749	BLOQUEO RUEDA LIBRE MECANICA
3	2	915 8X20 BI	ESPARRAGO ALLEN DIN 915 M8x20 BI
4	1	PS-141771	EJE RUEDA LIBRE MECANICA COMPACTA L=87
5	2	934 8 BI	TUERCA DIN 934 M8 BI
6	1	ML-041718	MUELLE RUEDA LIBRE MECANICA
7	1	ME-341762/I	DESPLAZABLE RUEDA LIBRE MECANICA IZQ.
8	1	PL-041748	FUNDA RUEDA LIBRE MECANICA P/ENGRASADOR
9	1	FE-600616	COJINETE IGLIDUR GFM-2528-16
10	1	FE-603007	ENGRASADOR M6 - 45 GRADOS



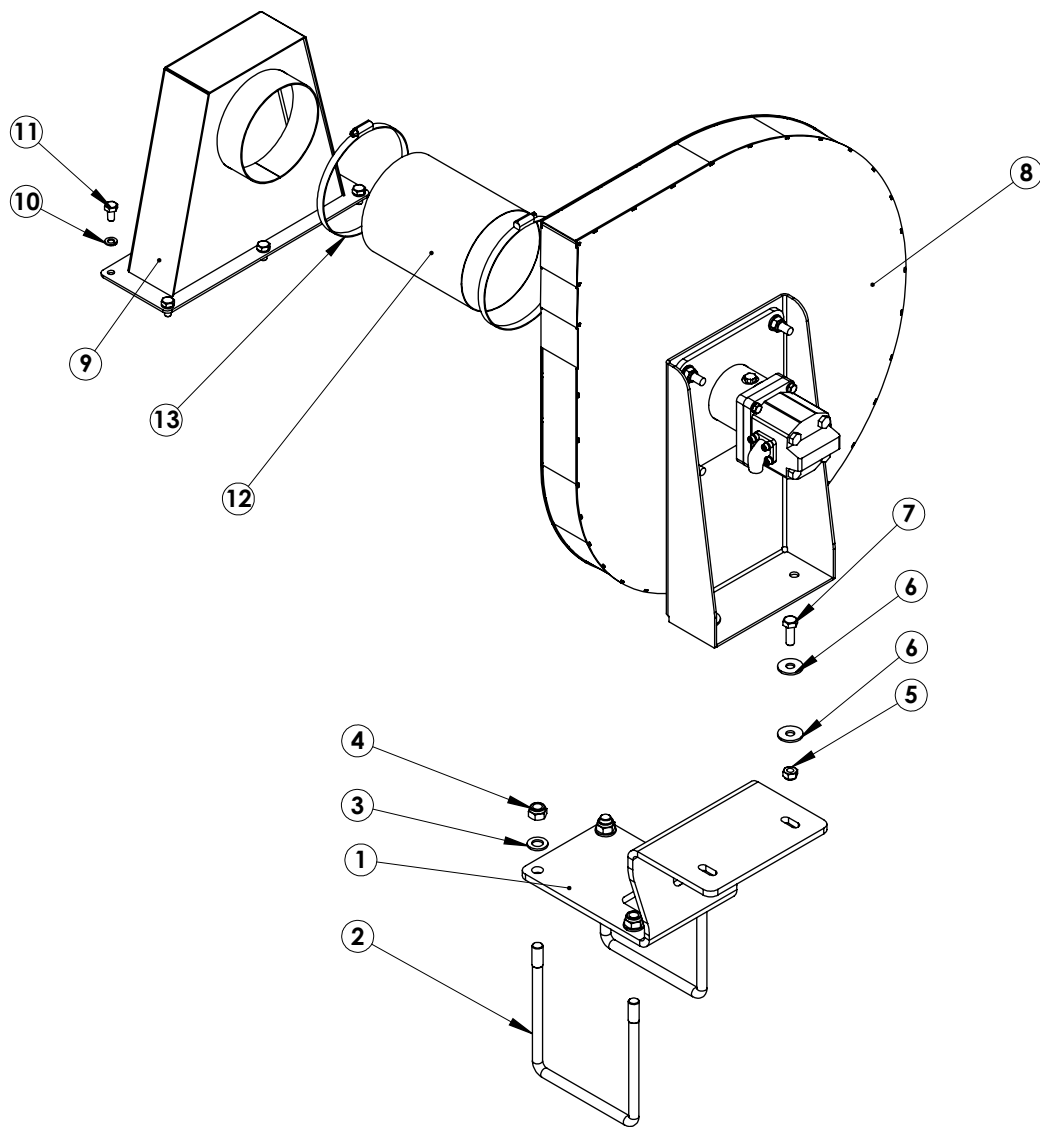
Nº	Cant.	Referencia	Rev.	Descripción
1	1	PX-301754	R-01	CHAPA ANCLAJE AUMENTADOR BOMBA HARVEST
2	1	PX-301750	R-02	BASE SOPORTE DEPOSITO ACEITE HARVEST
3	1	PX-071723	R-03	SOPORTE VALVULAS HARVEST
4	1	PS-201707	R-01	SOPORTE GRUPO AUMENTADOR BOMBA HARVEST
5	1	PS-201706	R-02	SOPORTE DEPOSITO ACEITE HARVEST
6	1	PX-401701		CHAPA SUJECION ANCLAJE AUMENTADOR HARVEST
7	1	PX-401702		CHAPA ANCLAJE AUMENTADOR HARVEST
57	2	HI-706061		VALVULA CIERRE 2 VIAS 1" HF-HF
58	2	HI-704188		RACOR UNION TL 1 1/2" - MF 1"



A (1 : 10)

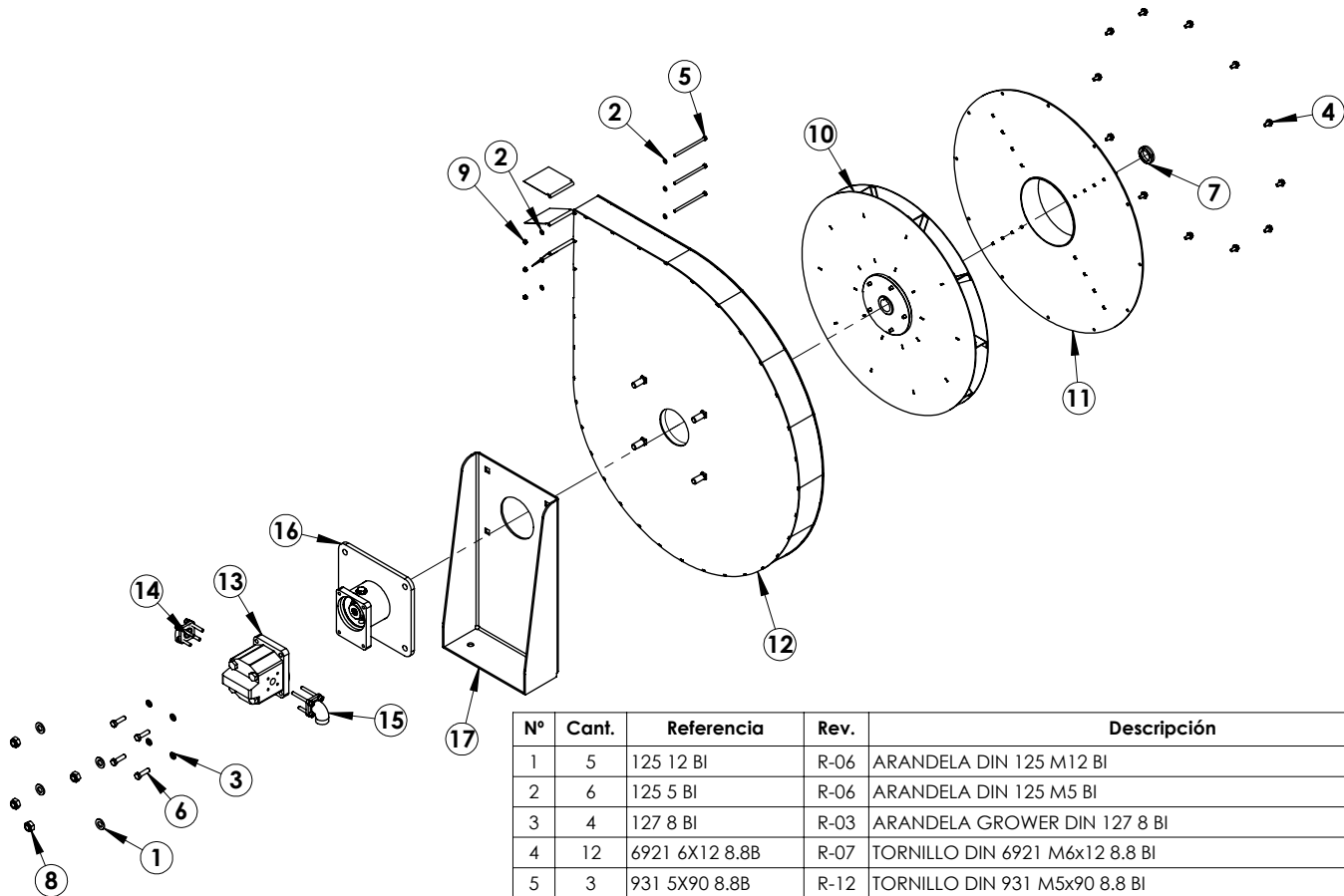
La toma de fuerza del tractor

Nº	Cant.	Ref	Descripción	Nº	Cant.	Ref	Descripción
1	2	125 18 BI	ARANDELA DIN 125 M18 BI	28	8	HI-704056	RACOR UNION MF1/2"-MF3/4"
2	2	933 18X55 8,8B	TORNILLO DIN 933 M18x55 8,8 BI	29	1	HI-704081	RACOR UNION MF-3/8" ; MF-1"
3	1	HI-700118	TUBO R2AT 1/4" L=1,7M H90° 3/8"-H90° 3/8"	30	2	HI-704088	RACOR UNION MF 3/4" - MF 3/8"
4	1	HI-700143	TUBO R1AT 1" L=0,56M H90°G 1"-H90°G 1"	31	1	HI-704169	RACOR UNION MF1" MF 1 1/4"
5	2	HI-700475	TUBO R1AT 3/4" L=1,7m H90G 1 1/16" SAE - TL 1"	32	1	HI-704180	RACOR UNION MF 1 1/2" - MF 1 1/2"
6	1	HI-700476	TUBO R1AT 1" L=2,5m H90G 1" - H90G 1" A 90°	33	1	HI-704183	CODO 90° MF 1" - TL 1"
7	1	HI-700476	TUBO R1AT 1" L=2,5m H90G 1" - H90G 1" A 90°	34	1	HI-704184	RACOR CODO 90° MF3/4" - 3/4"
8	1	HI-700477	TUBO R2AT 3/4" L=2m H90G3/4" - H90G3/4"	35	2	HI-704188	RACOR UNION TL 1 1/2" - MF 1"
9	1	HI-700477	TUBO R2AT 3/4" L=2m H90G3/4" - H90G3/4"	36	6	HI-705002	ARANDELA METALBUNA 1/2"
10	1	HI-700930	TUBO R2AT 3/8" L=1,80m H90G 3/8" - TL 3/8"	37	4	HI-705005	ARANDELA METALBUNA 1"
11	1	HI-700979	TUBO R2AT 3/4" L=0,5M H90°G 3/4" - TL 1 1/16" SAE	38	1	HI-705009	ARANDELA METALBUNA 1"1/2
12	1	HI-700979	TUBO R2AT 3/4" L=0,5M H90°G 3/4" - TL 1 1/16" SAE	39	2	HI-706014	VALVULA RF-A-12 REGULADORA CAUDAL 1/2"
13	1	HI-700980	TUBO R2AT 3/4" L=2,4M MF 3/4" SAE - TL 1/2"	40	2	HI-706057	REGULADOR PRESION 3/8" 175-250 bar 40 l/min ROQUET
14	1	HI-700980	TUBO R2AT 3/4" L=2,4M MF 3/4" SAE - TL 1/2"	41	2	HI-706061	VALVULA CIERRE 2 VIAS 1" HF-HF
15	1	HI-700981	TUBO R2AT 3/4" L=2,3M MF 3/4" SAE - TL 1/2"	42	1	HI-708017	RADIADOR SESINO APL 300
16	1	HI-700981	TUBO R2AT 3/4" L=2,3M MF 3/4" SAE - TL 1/2"	43	1	HI-708136	DEPOSITO DE ACEITE CHAPA 120 L
17	1	HI-700986	TUBO R2AT 3/4" L=2,5M TL 90° 1" - MF 3/4"	44	1	HI-708137	FILTRO RETORNO 200L VERSION 4 TALADROS
18	1	HI-703002	RACOR T M3/8-M3/8-HG3/8CENTRAL	45	1	HI-708138	MULTIPLICADOR GR.3/2 REL. 1:2 EJE HEMBRA Z18 A35X3
19	1	HI-703007	RACOR T M1"-HG1" CENTRAL- M1"	46	1	HI-708139	BOMBA ROQUET DOBLE 36+36 LTR
20	3	HI-703015	RACOR T 3/4" TL3/4"-TL3/4"-TL3/4"	47	1	HI-708140	SEMI ACOPLAMIENTO GR.3/2 DENTADO EXTERIOR DIN 5482
21	1	HI-703018	RACOR T MF 1" - MF 1" - TL 1" LATERAL	48	1	PS-201706	SOPORTE DEPOSITO ACEITE HARVEST
22	1	HI-703094	RACOR T TL 1" - TL 1" - TL 1"	49	1	PS-201707	SOPORTE GRUPO AUMENTADOR BOMBA HARVEST
23	1	HI-703096	RACOR T MF 1 1/2" - MF 1 1/2" - TL 1 1/2"CENTRAL	50	1	PX-071723	SOPORTE VALVULAS HARVEST
24	2	HI-704007	RACOR UNION MF3/8"-MF3/8"	51	1	PX-301750	BASE SOPORTE DEPOSITO ACEITE HARVEST
25	2	HI-704012	RACOR UNION MF3/4"-MF3/4"	52	1	PX-301754	CHAPA ANCLAJE AUMENTADOR BOMBA HARVEST
26	2	HI-704034	RACOR UNION MF 3/4";MF 1"	53	1	PX-401701	CHAPA SUJECION ANCLAJE AUMENTADOR HARVEST
27	5	HI-704042	RACOR UNION MF 1"-MF 1"	54	1	PX-401702	CHAPA ANCLAJE AUMENTADOR HARVEST
				55	2	VA-101740	FUNDA PROTEC LATIGUILLOS Ø70X1700 MM



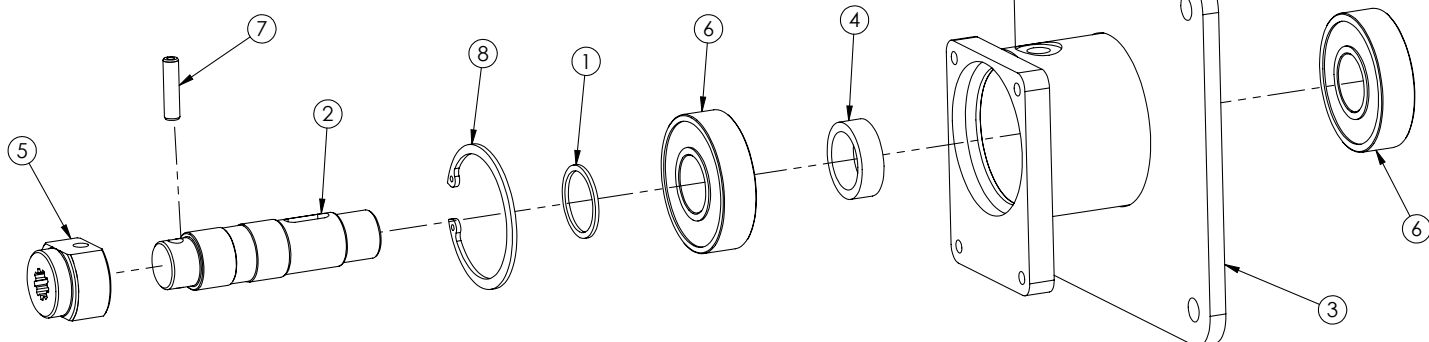
Nº	Cant.	Referencia	Rev.	Descripción
1	1	PS-241768	R-01	SOPORTE TURBINA BRAZO LATERAL HARVEST
2	2	EE-041712	R-02	BRIDA SUJECION TURBINA LATERAL HARVEST
3	4	125 16 BI	R-06	ARANDELA DIN 125 M16 BI
4	4	985 16	R-09	TUERCA DIN 985 M16
5	2	985 12	R-09	TUERCA DIN 985 M12
6	4	9021 12 BI	R-02	ARANDELA PLANA DIN 9021 M12 BI
7	2	933 12X35 8.8B	R-15	TORNILLO DIN 933 M12x35 8,8 BI
8	1	MO-241781	R-01	TURBINA GRAN CAPACIDAD CHASIS HARVEST
9	1	PS-241781	R-01	COLECTOR TURBINA HARVEST
10	6	127 10 BI	R-03	ARANDELA GROWER DIN 127 10 BI
11	6	933 10X20 8.8 B	R-15	TORNILLO DIN 933 M10x20 8,8 BI
12	1	VA-041719		TUBO Ø160 L=160MM AIRFLEX TURBINA HARVEST
13	2	FE-606033	R-02	BRIDA SINFIN 160-180/9

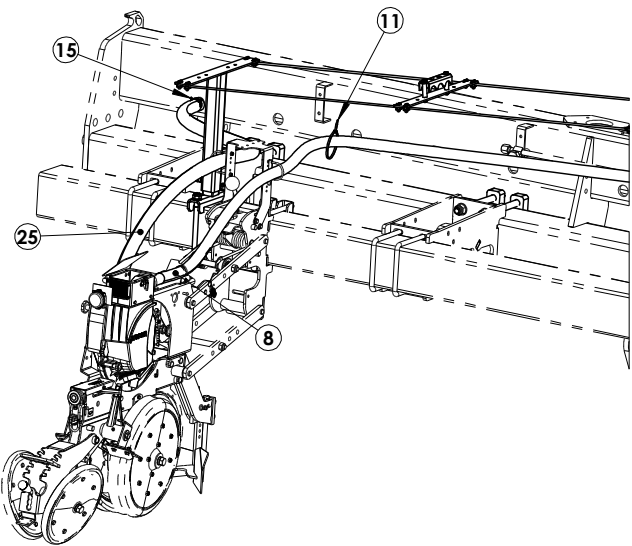
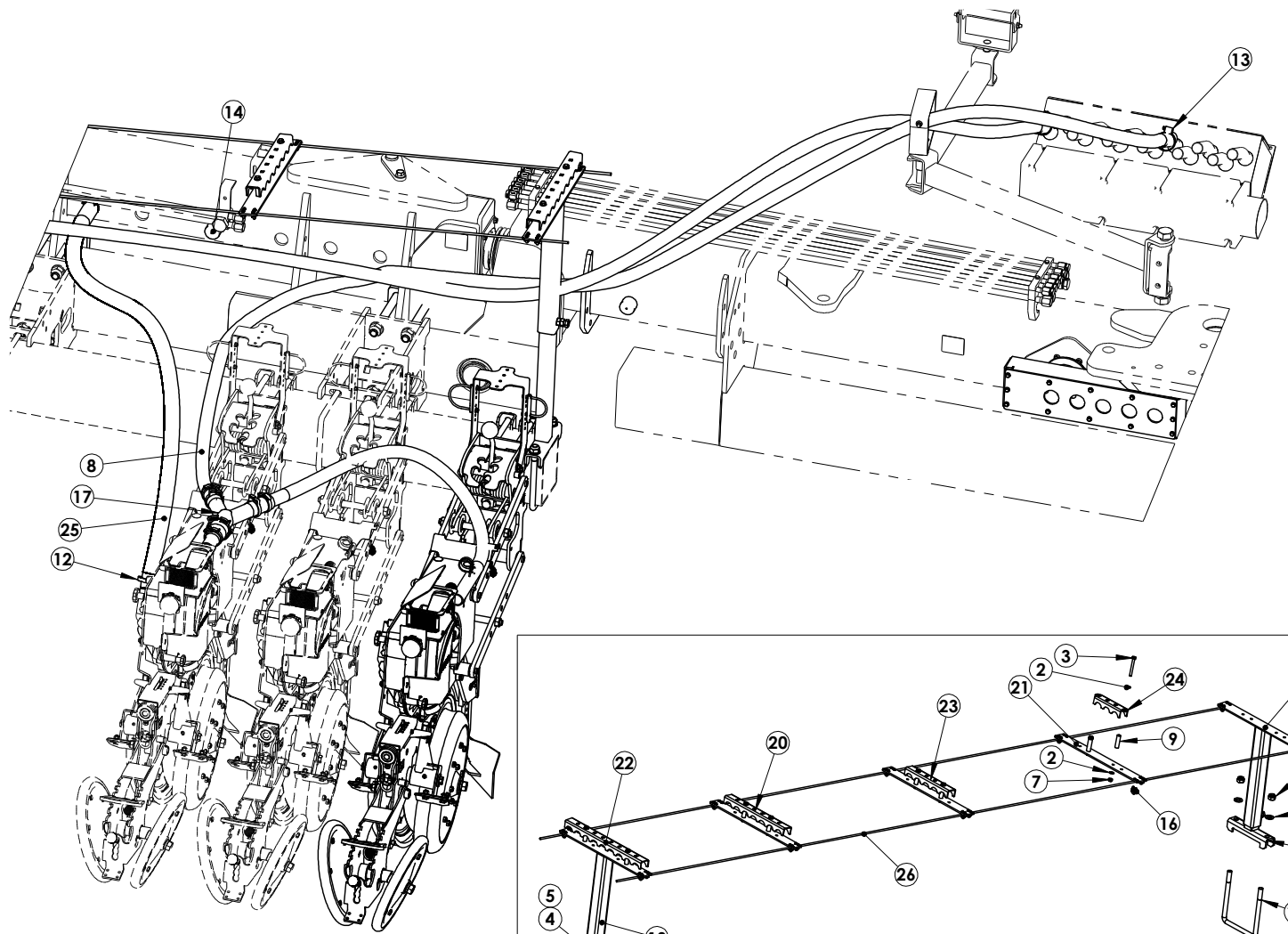




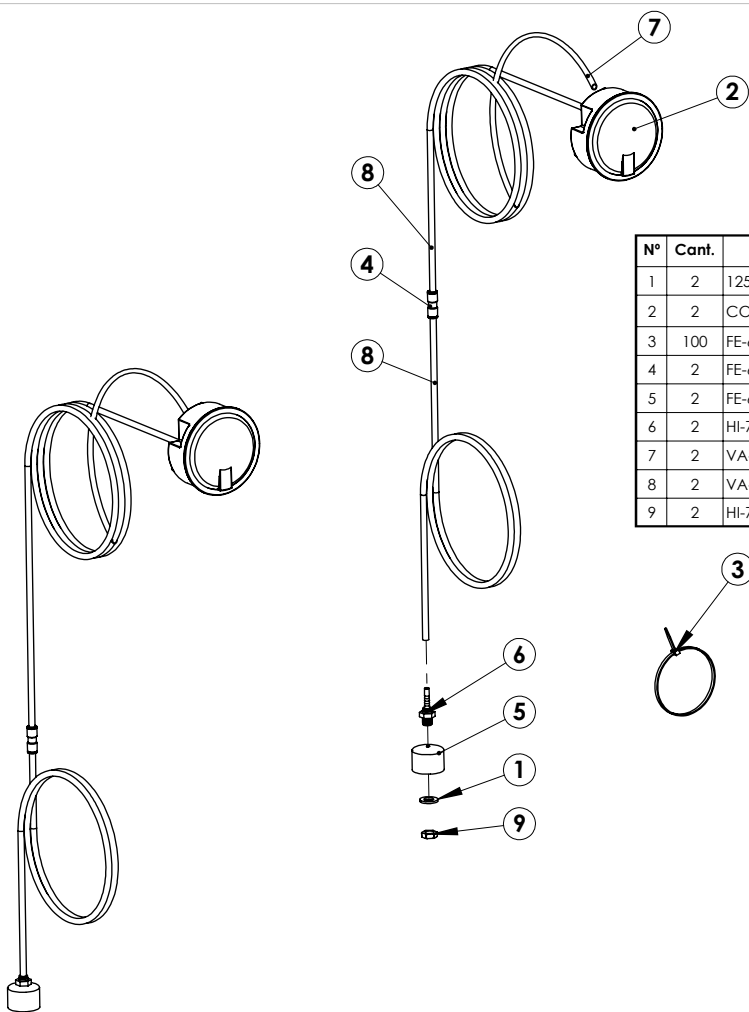
Nº	Cant.	Referencia	Rev.	Descripción
1	5	125 12 BI	R-06	ARANDELA DIN 125 M12 BI
2	6	125 5 BI	R-06	ARANDELA DIN 125 M5 BI
3	4	127 8 BI	R-03	ARANDELA GROWER DIN 127 8 BI
4	12	6921 6X12 8.8B	R-07	TORNILLO DIN 6921 M6x12 8.8 BI
5	3	931 5X90 8.8B	R-12	TORNILLO DIN 931 M5x90 8.8 BI
6	4	933 8X30 8.8B	R-15	TORNILLO DIN 933 M8x30 8.8 BI
7	1	981 25-150 BI	R-02	TUERCA DIN 981 25/150 BI
8	4	985 12 I	R-09	TUERCA DIN 985 M12 INOX
9	3	985 5	R-09	TUERCA DIN 985 M5
10	1	CO-041779		
11	1	CO-041780	R-02	TAPA TURBINA GRAN CAPACIDAD
12	1	CO-041781	R-01	CAJA TURBINA GRAN CAPACIDAD
13	1	HI-708055	R-02	MOTOR HIDRAULICO 8,3CM ANTIRETORNO INCORPORADO
14	1	HI-708056	R-02	BRIDA ACODADA 1/2" ENTRADA MOTOR CON ANTIRRETORNO
15	1	HI-708057	R-02	BRIDA ACODADA 3/4" SALIDA MOTOR CON ANTIRRETORNO
16	1	MO-141748	R-01	BUJE EJE TURBINA HIDRULICA PROSEM
17	1	PS-241769	R-02	CONJUNTO PLETINA SOPORTE TURBINA HARVEST

Nº	Referencia	Descripción	Cant.
1	PX-141785	ARANDELA TOPE RODAMIENTO TURB. HIDR. GC	1
2	ME-241764	EJE TURBINA HIDRAULICA PROSEM	1
3	ME-041795	BUJE EJE TURBINA HIDRAULICA	1
4	ME-041736	SEPARADOR RODAMIENTOS EJE TURBINA	1
5	ME-041347	ADAPTADOR MOTOR-TURBINA	1
6	FE-600051	RODAMIENTO 6306 2RS	2
7	7343 8X32	PASADOR ELAST. ESPIRAL DIN 7343 8X32	1
8	472-72	ANILLO DIN 472-72	1



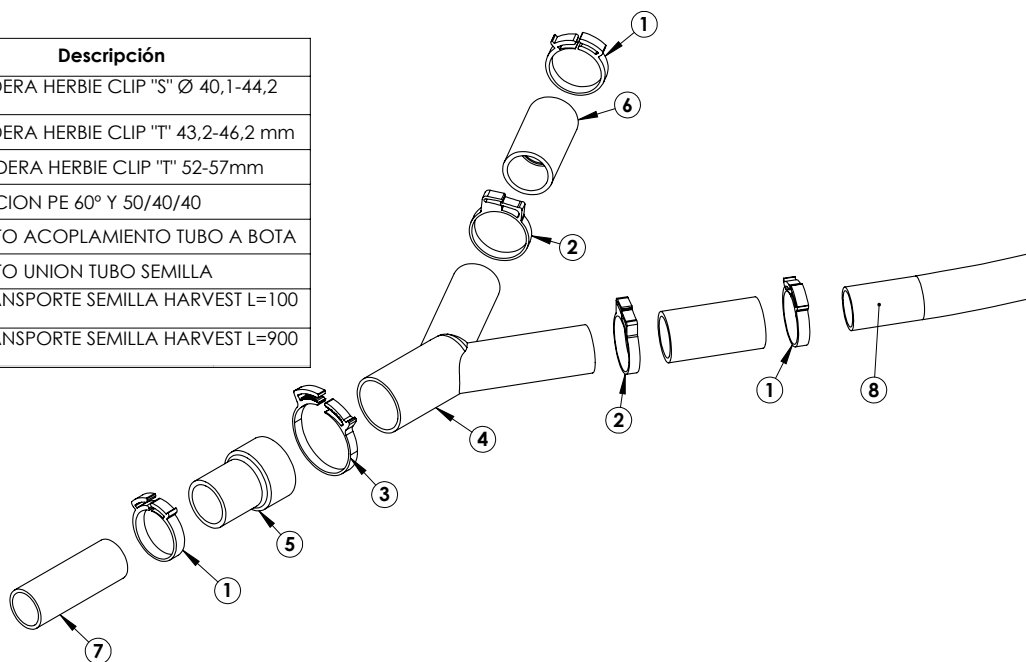


Nº	Cant	Referencia	Rev.	Descripción
1	8	125 16 BI	R-08	ARANDELA DIN 125 M16 BI
2	32	125 8 BI	R-08	ARANDELA DIN 125 M8 BI
3	16	931 8X70 8.8B	R-17	TORNILLO DIN 931 M8x70 8.8 BI
4	4	933 12X30 8.8B	R-18	TORNILLO DIN 933 M12x30 8.8 BI
5	4	934 12 BI	R-07	TUERCA DIN 934 M12 BI
6	8	985 16	R-09	TUERCA DIN 985 M16
7	16	985 8	R-09	TUERCA DIN 985 M8
8	1	AF-071723		CONJUNTO TUBO TRANSPORTE SEMILLA HARVEST
9	16	CT-055005	R-01	SEPARADOR SOPORTE TUBOS
10	4	EE-011713	R-01	BRIDA "U" 150 L=195
11	1	FE-606027	R-03	BRIDA NYLON 4,8X290 NEGRA
12	2	FE-606041	R-02	ABRAZADERA HERBIE CLIP "S" Ø 40,1-44,2 MM
13	2	FE-606055	R-02	BRIDA SINFIN 32-50 9 MM - W4 (INOX)
14	4	FE-611016	R-02	TAPON Ø40 TOBERA ASPIRACION PVC NEGRO
15	2	FE-614117	R-02	ABRAZADERA DE MUELLE TIPO FBS Ø44
16	40	FE-650012		PRENSACABLES P/CABLE DE 6
17	7	MO-241783	R-03	BIFURCACION PE 60° Y 50/40/40
18	4	PS-341700	R-01	SOP TELESCOPICO CABLES PORTATUBOS SEMILLA HARVEST
19	4	PS-411710	R-02	SOPORTE TELESCOPICO CABLES PORTA TUBOS HARVEST
20	2	PX-055089	R-01	U SOPORTE 7 TUBOS
21	6	PX-641738	R-01	GUIA TUBOS CON CABLE SEMILLA HARVEST
22	2	PX-641739	R-02	U SOPORTE 9 TUBOS
23	2	PX-641740	R-02	U SOPORTE 5 TUBOS
24	2	PX-641741	R-02	U SOPORTE 3 TUBOS
25	31	VA-041713	R-01	TUBO ASPIRACION ELEMENTOS HARVEST
26	4	VA-041722		CABLE ACERO Ø6 SOPORTE TUBOS SEMILLA HARVEST

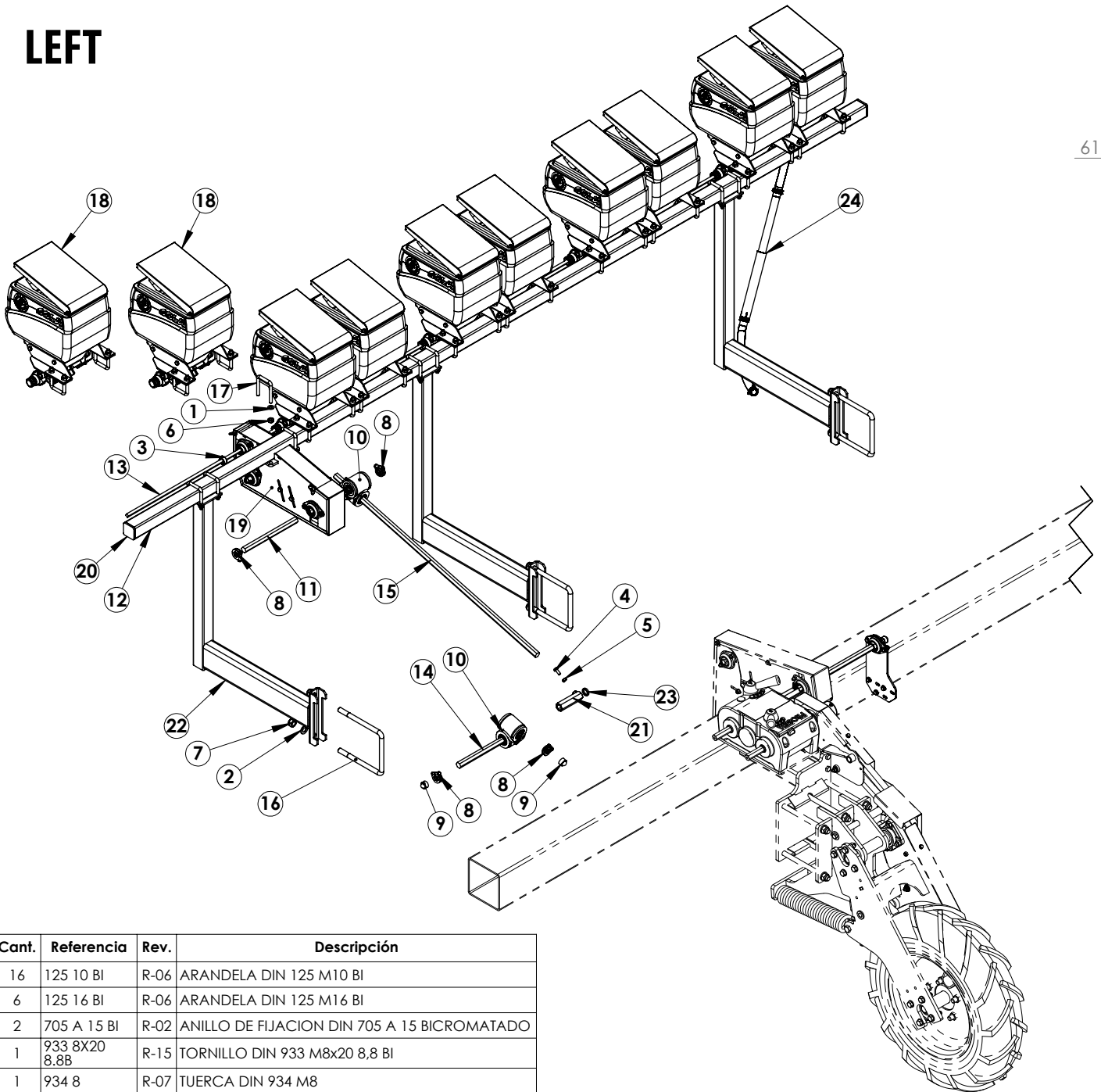


Nº	Cant.	Referencia	Rev.	Descripción
1	2	125 12 BI	R-08	ARANDELA DIN 125 M12 BI
2	2	CO-041703	R-02	VACUOMETRO/MANOMETRO DIFERENCIAL MAGNEHELIC 2100
3	100	FE-606027	R-03	BRIDA NYLON 4,8X290 NEGRA
4	2	FE-607022	R-02	CONECTOR NEUMATICO RAPIDO Ø8-Ø8
5	2	FE-611016	R-02	TAPON Ø40 TOBERA ASPIRACION PVC NEGRO
6	2	HI-704027	R-02	ESPIGA ACANALADA MF 1/4 PARA TUBO Ø6
7	2	VA-041704	R-01	TUBO POLIAMIDA VACUOMETRO
8	2	VA-041714	R-01	TUBO POLIAMIDA VACUOMETRO Ø8x1 L=9 m
9	2	HI-704091	R-04	TUERCA PASATABIQUES 1/4" GAS

Nº	Cant.	Referencia	Rev.	Descripción
1	3	FE-606041	R-02	ABRAZADERA HERBIE CLIP "S" Ø 40,1-44,2 MM
2	2	FE-614029	R-02	ABRAZADERA HERBIE CLIP "T" 43,2-46,2 mm
3	1	FE-614120	R-02	ABRAZADERA HERBIE CLIP "T" 52-57mm
4	1	PL-041758	R-03	BIFURCACION PE 60° Y 50/40/40
5	1	PL-051300	R-01	MANGUITO ACOPLAMIENTO TUBO A BOTA
6	2	PL-051301	R-02	MANGUITO UNION TUBO SEMILLA
7	1	VA-021717		TUBO TRANSPORTE SEMILLA HARVEST L=100 mm
8	1	VA-021718		TUBO TRANSPORTE SEMILLA HARVEST L=900 mm



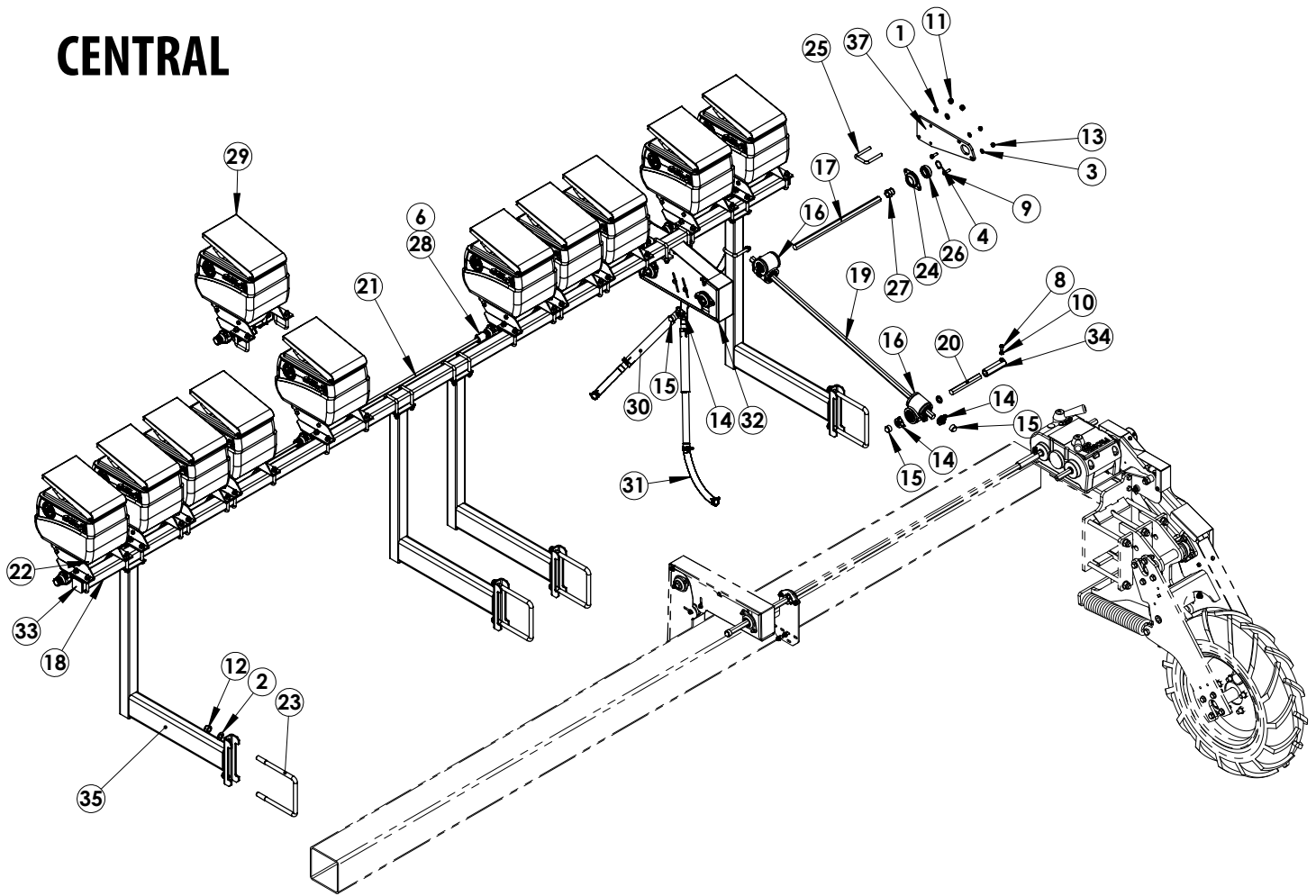
**LEFT**



Nº	Cant.	Referencia	Rev.	Descripción
1	16	125 10 BI	R-06	ARANDELA DIN 125 M10 BI
2	6	125 16 BI	R-06	ARANDELA DIN 125 M16 BI
3	2	705 A 15 BI	R-02	ANILLO DE FIJACION DIN 705 A 15 BICROMATADO
4	1	933 8X20 8.8B	R-15	TORNILLO DIN 933 M8x20 8,8 BI
5	1	934 8	R-07	TUERCA DIN 934 M8
6	16	985 10	R-09	TUERCA DIN 985 M10
7	6	985 16	R-09	TUERCA DIN 985 M16
8	4	AF-041701	R-02	CONJUNTO BLOQUEADOR HEXAGONAL 19
9	2	CN-817059	R-02	CAPSULA PROTECCION TUERCA M12 HEX19
10	2	CO-141781	R-01	TRANSMISION 90° HEX. 19 2:1 ECHEVERRIA
11	1	CT-046006	R-01	EJE BARRA HEX.19C L=250mm
12	1	CT-101716	R-01	TUBO CENTRAL MICRO T-300 V-280 V-300
13	1	CT-141718	R-01	EJE MICRO SF. CUAD. 10 INOX L=3300
14	1	CT-141750	R-01	EJE HEX. 19 L=210mm PROSEM
15	1	CT-241703	R-01	EJE HEX 19 MM L= 1000 mm
16	3	EE-011713	R-01	BRIDA "U" 150 L=195
17	8	EE-101717	R-01	BRIDA 50 SOPORTE MICRO
18	10	MO-021711	R-03	TOLVA MICRO 1 SAL. DISTR. SF C/ SOP.
19	1	MO-141796	R-01	REENVIO CENTRAL MICRO CAMBIO DELANTERO

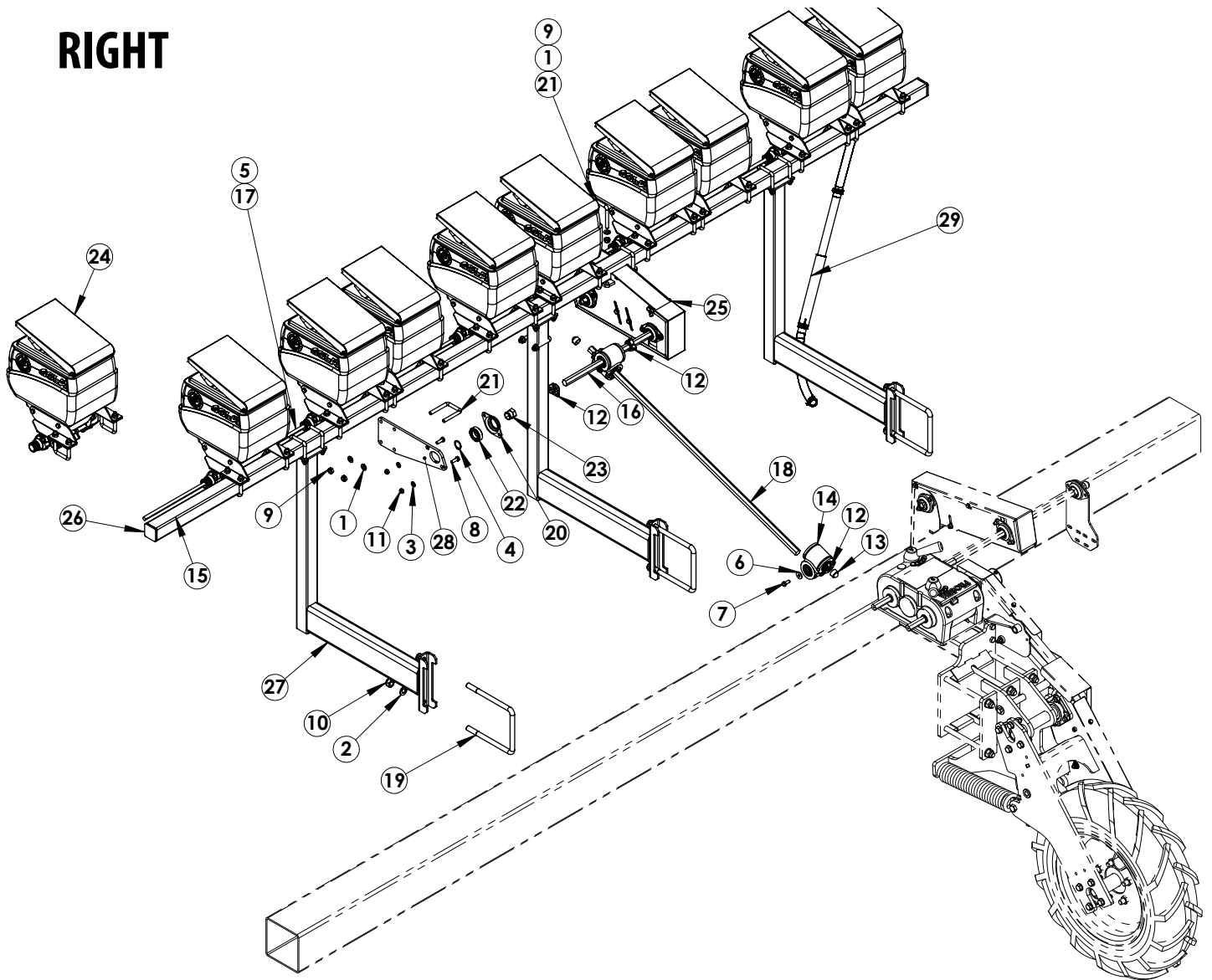
Nº	Cant.	Referencia	Rev.	Descripción
20	2	PL-054501	R-02	TAPON CUADRADO TUBO 50X50X3-5
21	1	PS-141757	R-01	MANGUITO UNION HEX19 L=100 C/1TUERCA
22	3	PS-311707	R-02	SOPORTE BARRA MICRO CHASIS HARVEST
23	2	PX-042820	R-01	DISTANCIADOR HEX. 19 E=5
24	10	MO-101757	R-01	TUBO CAIDA MICRO CENTRAL COMPLETO HARVEST

# CENTRAL



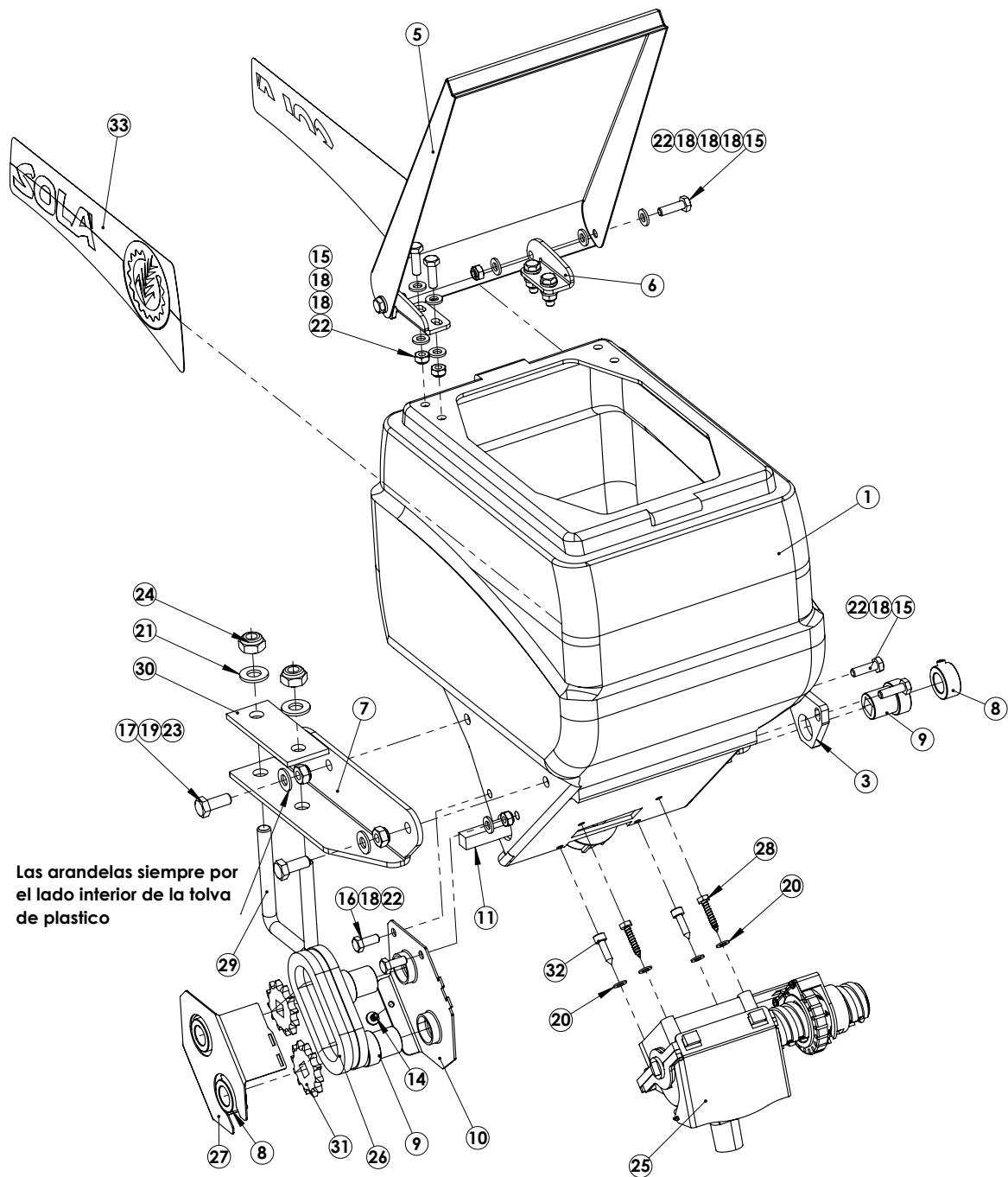
N°	Cant.	Referencia	Rev.	Descripción	N°	Cant.	Referencia	Rev.	Descripción
1	16	125 10 BI	R-06	ARANDELA DIN 125 M10 BI	25	8	EE-101717	R-01	BRIDA 50 SOPORTE MICRO
2	8	125 16 BI	R-06	ARANDELA DIN 125 M16 BI	26	1	FE-600047	R-01	RODAMIENTO 6005 2RS
3	2	125 8 BI	R-06	ARANDELA DIN 125 M8 BI	27	1	ME-041711	R-01	EJE TUBO HEX. PARA 6005 P.V.
4	1	471 25	R-02	ANILLO SAEGER DIN 471 Ø25	28	2	ME-241731	R-01	MANGUITO UNION QUAD. 10
5	2	705 A 15 BI	R-02	ANILLO DE FIJACION DIN 705 A 15 BICROMATADO	29	11	MO-021711	R-03	TOLVA MICRO 1 SAL. DISTR. SF C/ SOP.
6	4	914 8X12 BI	R-02	ESPARRAGO ALLEN DIN 914 M8x12 BI	30	3	MO-101756	R-02	TUBO CAIDA MICRO COMPLETO HARVEST
7	8	931 10X80 8.8B	R-12	TORNILLO DIN 931 M10x80 8.8 BI	31	8	MO-101757	R-01	TUBO CAIDA MICRO CENTRAL COMPLETO HARVEST
8	1	933 8X15 8.8B	R-15	TORNILLO DIN 933 M8x15 8.8 BI	32	1	MO-141796	R-01	REENVIO CENTRAL MICRO CAMBIO DELANTERO
9	2	933 8X25 8.8B	R-15	TORNILLO DIN 933 M8x25 8.8 BI	33	2	PL-054501	R-02	TAPON CUADRADO TUBO 50X50X3-5
10	1	934 8	R-07	TUERCA DIN 934 M8	34	1	PS-141757	R-01	MANGUITO UNION HEX19 L=100 C/1TUERCA
11	16	985 10	R-09	TUERCA DIN 985 M10	35	4	PS-311707	R-02	SOPORTE BARRA MICRO CHASIS HARVEST
12	8	985 16	R-09	TUERCA DIN 985 M16	36	1	PX-042820	R-01	DISTANCIADOR HEX. 19 E=5
13	2	985 8	R-09	TUERCA DIN 985 M8	37	1	PX-241798	R-01	SOP. EJE ENTRADA CAJA CENT. MICRO CAMBIO DEL.
14	5	AF-041701	R-02	CONJUNTO BLOQUEADOR HEXAGONAL 19					
15	3	CN-817059	R-02	CAPSULA PROTECCION TUERCA M12 HEX19					
16	2	CO-141781	R-01	TRANSMISION 90° HEX. 19 2:1 ECHEVERRIA					
17	1	CT-141706	R-01	EJE HEX 19 L=450 MM					
18	1	CT-201728	R-01	TUBO 50x50x4 BARRA SOPORTE MICRO L=3770 HARVEST					
19	1	CT-241703	R-01	EJE HEX 19 MM L= 1000 mm					
20	1	CT-241706	R-01	EJE HEX 19 L=150 MM					
21	1	CT-241707	R-01	EJE MICRO SF. CUAD. 10 INOX L=700					
22	2	CT-241708	R-01	EJE MICRO SF. CUAD. 10 INOX L=1500					
23	4	EE-011713	R-01	BRIDA "U" 150 L=195					
24	1	EE-041701	R-01	SOPORTE RODAMIENTO 6005					

# RIGHT



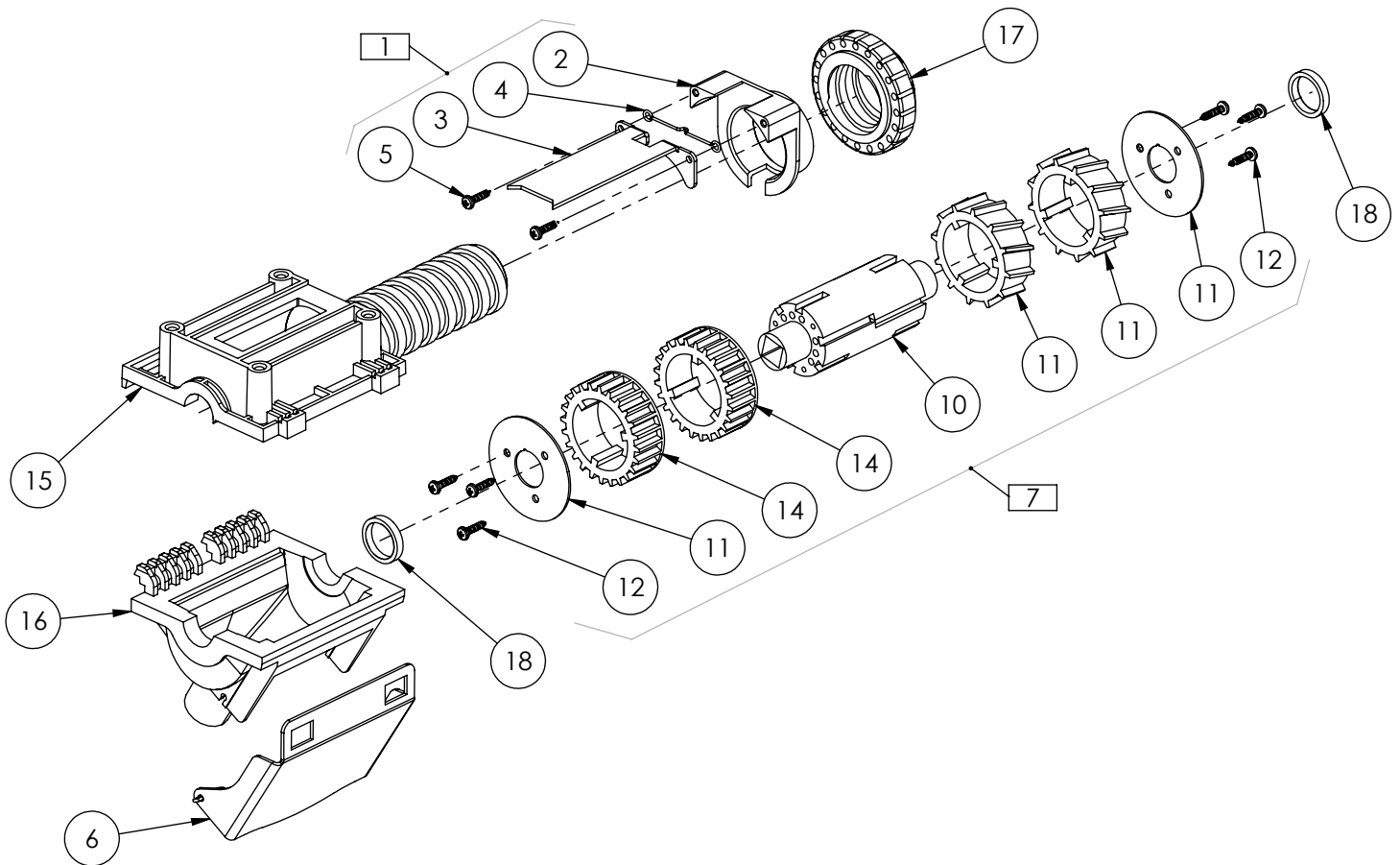
Nº	Cant.	Referencia	Rev.	Descripción
1	20	125 10 BI	R-06	ARANDELA DIN 125 M10 BI
2	6	125 16 BI	R-06	ARANDELA DIN 125 M16 BI
3	2	125 8 BI	R-06	ARANDELA DIN 125 M8 BI
4	1	471 25	R-02	ANILLO SAEGER DIN 471 Ø25
5	2	705 A 15 BI	R-02	ANILLO DE FIJACION DIN 705 A 15 BICROMATADO
6	1	9021 8 BI	R-02	ARANDELA PLANA DIN 9021 M8 BI
7	1	933 8X20 8.8B	R-15	TORNILLO DIN 933 M8x20 8,8 BI
8	2	933 8X25 8.8B	R-15	TORNILLO DIN 933 M8x25 8,8 BI
9	20	985 10	R-09	TUERCA DIN 985 M10
10	6	985 16	R-09	TUERCA DIN 985 M16
11	2	985 8	R-09	TUERCA DIN 985 M8
12	4	AF-041701	R-02	CONJUNTO BLOQUEADOR HEXAGONAL 19
13	2	CN-817059	R-02	CAPSULA PROTECCION TUERCA M12 HEX19
14	2	CO-141781	R-01	TRANSMISION 90° HEX. 19 2:1 ECHEVERRIA
15	1	CT-101716	R-01	TUBO CENTRAL MICRO T-300 V-280 V-300
16	1	CT-141706	R-01	EJE HEX 19 L=450 MM
17	1	CT-141718	R-01	EJE MICRO SF. CUAD. 10 INOX L=3300
18	1	CT-241703	R-01	EJE HEX 19 MM L= 1000 mm

Nº	Cant.	Referencia	Rev.	Descripción
19	3	EE-011713	R-01	BRIDA "U" 150 L=195
20	1	EE-041701	R-01	SOPORTE RODAMIENTO 6005
21	10	EE-101717	R-01	BRIDA 50 SOPORTE MICRO
22	1	FE-600047	R-01	RODAMIENTO 6005 2RS
23	1	ME-041711	R-01	EJE TUBO HEX. PARA 6005 P.V.
24	10	MO-021711	R-03	TOLVA MICRO 1 SAL. DISTR. SF C/ SOP.
25	1	MO-141796	R-01	REENVIO CENTRAL MICRO CAMBIO DELANTERO
26	2	PL-054501	R-02	TAPON CUADRADO TUBO 50X50X3-5
27	3	PS-311707	R-02	SOPORTE BARRA MICRO CHASIS HARVEST
28	1	PX-241798	R-01	SOP. EJE ENTRADA CAJA CENT. MICRO CAMBIO DEL.
29	10	MO-101757	R-01	TUBO CAIDA MICRO CENTRAL COMPLETO HARVEST



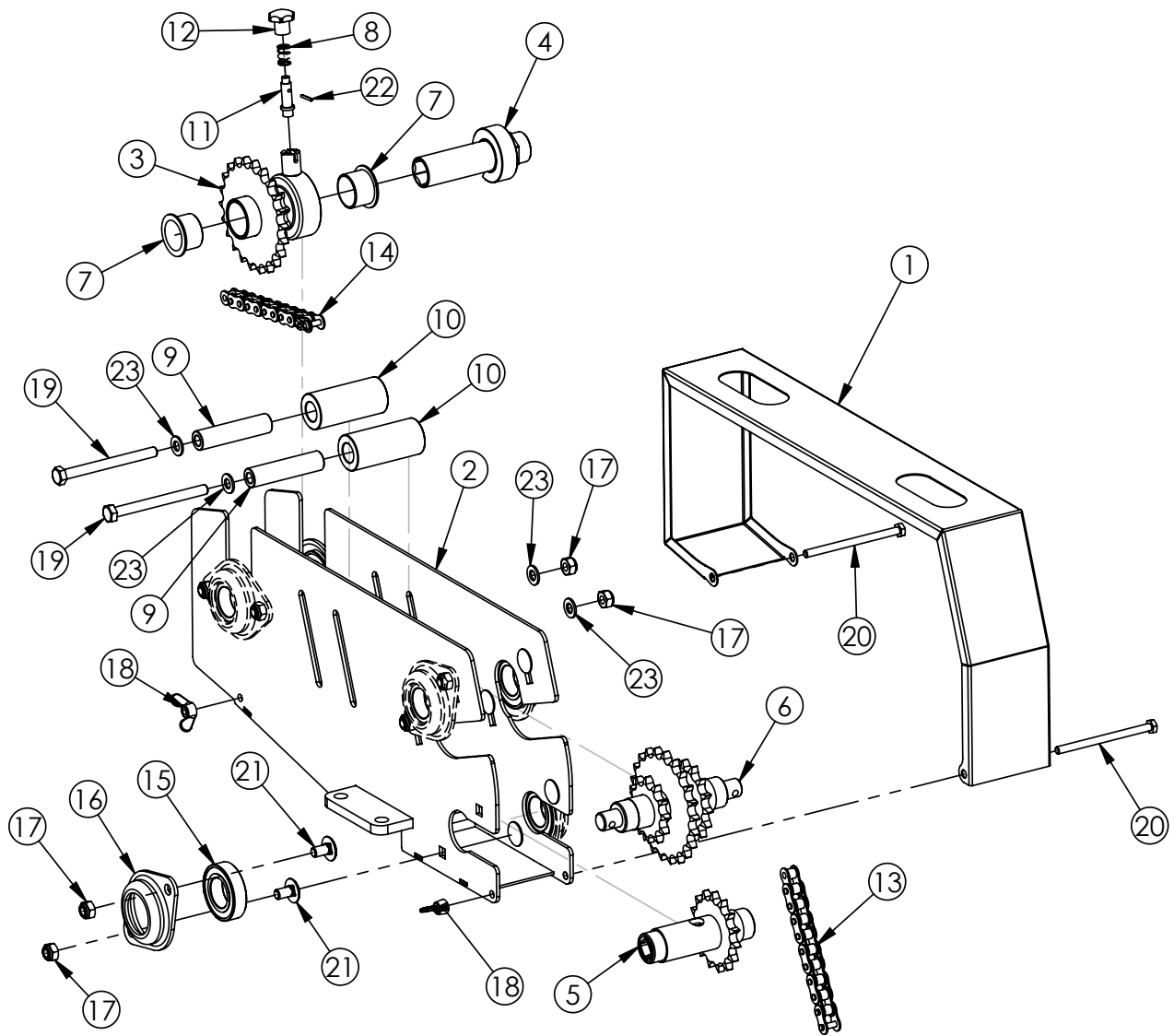
Las arandelas siempre por el lado interior de la tolva de plastico

Nº	Cant.	Referencia	Rev.	Descripción
1	1	TA-021706	R-02	TOLVA MICRO SOLA I SAL. TALADRADA
2	1	PX-021773-I	R-01	CHAPA SOPORTE IZQ. TAPA MICRO
3	1	PX-021775	R-01	CHAPA SOPORTE AGITADOR TOLVA MICRO
4	1	PX-101796-D	R-03	SOPORTE TOLVA MICRO DER.
5	1	PS-021732	R-01	TAPA TOLVA MICRO 1 SAL. SOLDADA
6	1	PX-021773-D	R-01	CHAPA SOPORTE DER. TAPA MICRO
7	1	PX-101796-I	R-03	SOPORTE TOLVA MICRO IZQ.
8	3	705 A 15 BI	R-02	ANILLO DE FIJACION DIN 705 A 15 BICROMATADO
9	3	PL-021709	R-01	CASQUILLO GUIA AGITADOR TOLVA MICRO
10	1	PX-121760	R-01	SOPORTE EMBUTIDO TRANS AGITADOR MICRO
11	1	TA-041768	R-01	EJE AGITADOR TOLVA MICRO 1 SAL.
12	2	1481 5X28 BI	R-07	PASADOR ELASTICO DIN 1481 Ø5x28 BI
13	1	PL-021708	R-01	TAPON TOLVA MICRO PROSEM
14	1	7981F 4,8X6,5 INOX	R-05	TORNILLO DIN 7981F M-3,5X6,5 INOX
15	8	933 6X20 I	R-15	TORNILLO DIN 933 M6x20 INOX
16	2	933 6X15 I	R-15	TORNILLO DIN 933 M6x15 INOX
17	4	933 8X20 I	R-15	TORNILLO DIN 933 M8x20 INOX
18	18	125 6 I	R-06	ARANDELA DIN 125 M6 INOX
19	4	125 8 I	R-06	ARANDELA DIN 125 M8 INOX
20	4	125 5 I	R-06	ARANDELA DIN 125 M5 INOX
21	4	125 10 BI	R-06	ARANDELA DIN 125 M10 BI
22	10	985 6 I	R-09	TUERCA DIN 985 M6 INOX
23	4	985 8 I	R-09	TUERCA DIN 985 M8 INOX
24	4	985 10	R-09	TUERCA DIN 985 M10
25	1	MO-241722	R-02	DISTRIBUIDOR MICRO SOLA PROSEM 2014
26	1	FE-605098	R-02	CADENA 3/8" ISO 06 B-1 L=209,5 21P+1E CERRADA
27	1	PX-021776	R-01	TAPACADENA TRANSMISION MICRO PROSEM
28	2	7976 4,8X22 BI	R-03	TORNILLO DIN 7976 4,8x13 BI
29	2	EE-101717	R-01	BRIDA 50 SOPORTE MICRO
30	2	TA-101709	R-01	REFUERZO SOPORTE MICRO
31	2	ME-241768		DISCO Z12 TOLVA MICRO
32	2	9051 4,8X19 I	R-13	TORNILLO ALLEN DIN 912 M4,8x19 I
33	1	AD-021701		JUEGO ADHESIVOS SOLA TOLVA MICRO



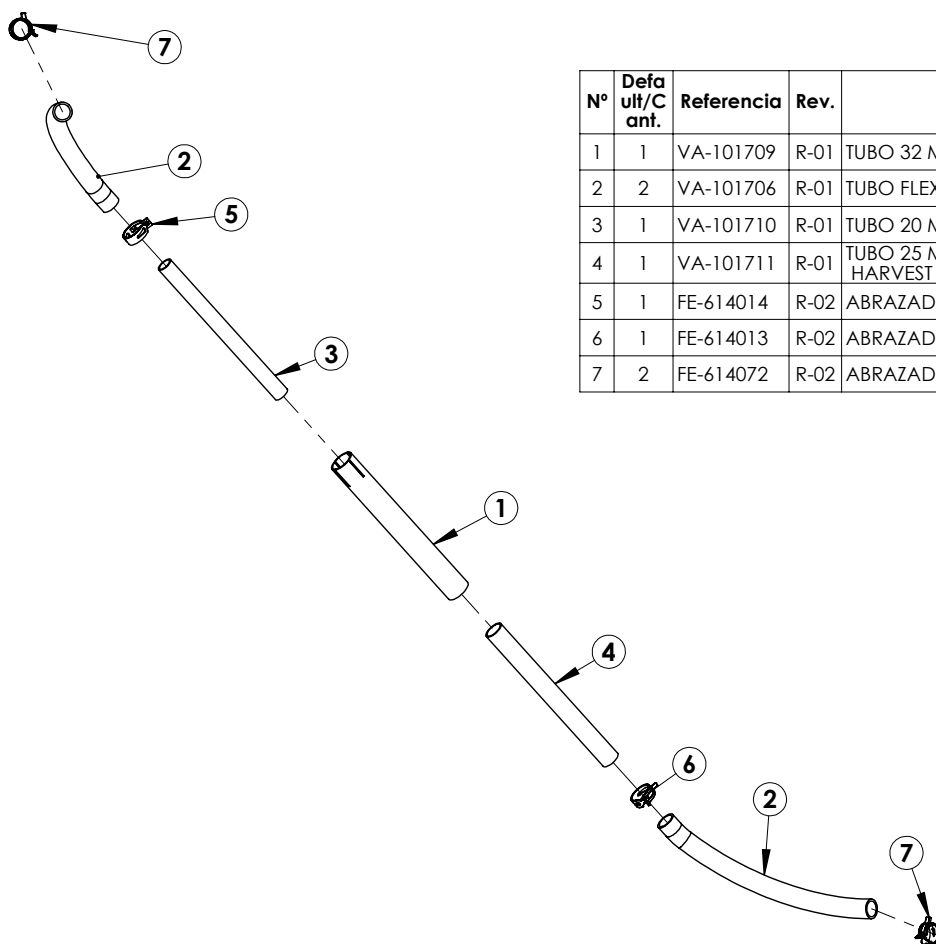
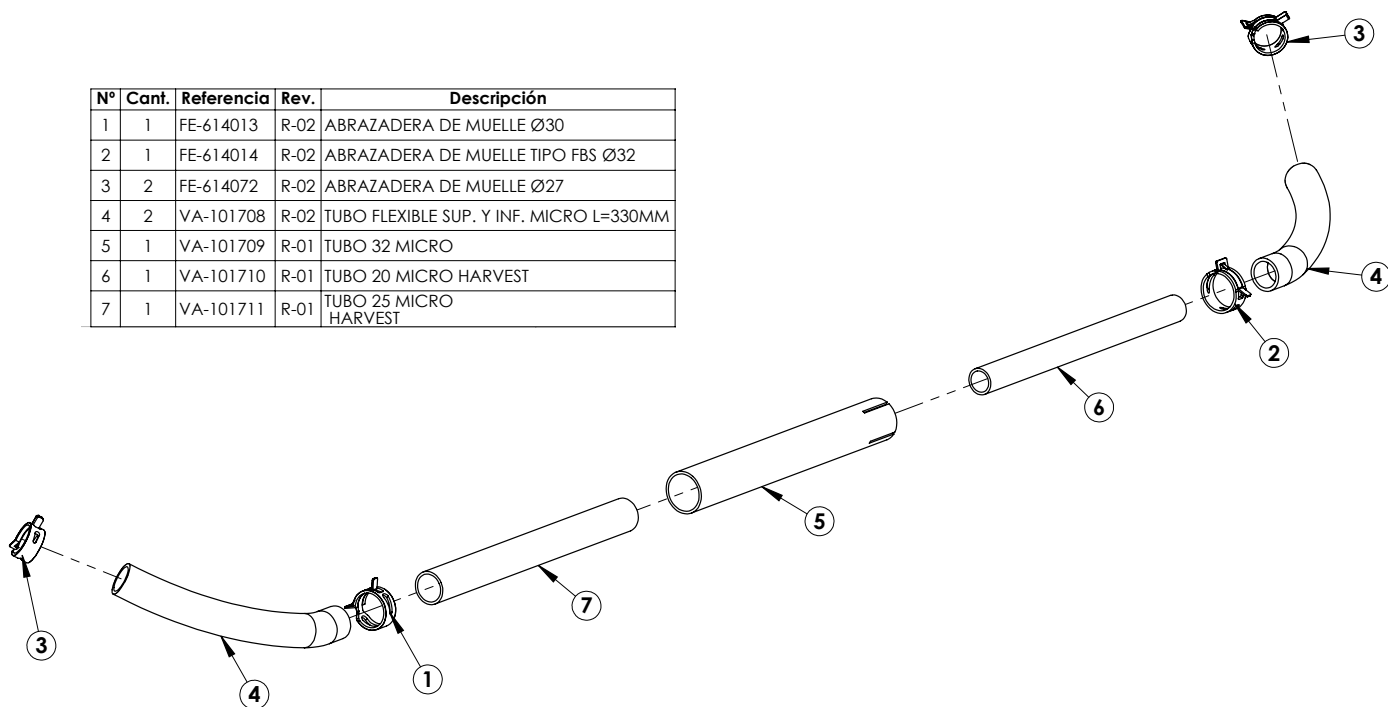
Nº	Cant.	Referencia	Rev.	Descripción
1	1	MO-141787	R-02	COMPUERTA DISTR. MICRO SOLA PROSEM 2011
2	1	PL-041740	R-01	FUNDA TUERCA REG. DISTR. MICRO PROSEM
3	1	PX-241706	R-01	COMPUERTA DISTR. MICRO PROSEM
4	1	ML-041714	R-01	MUELLE BLOQUEO TUERCA DISTR. MICRO
5	2	7981 2,9X13 I	R-05	TORNILLO DIN 7981 2,9X13 INOX
6	1	CO-141778	R-01	CIERRE DISTRIBUIDOR MICRO PROSEM C/MUELLE
7	1	PX-241702	R-01	CIERRE DISTRIBUIDOR MICRO PROSEM
8	1	ML-041713	R-01	MUELLE CIERRE DISR. MICRO PROSEM
9	1	MO-241721	R-02	RODILLO COMPLETO DISTR. MICRO SOLA PROSEM 2014
10	1	PL-041736	R-01	EJE DISTRIBUIDOR MICRO PROSEM
11	2	PL-041735	R-01	RODILLO DISTRIBUIDOR MICRO PROSEM
12	6	7981 2,9X13 I	R-05	TORNILLO DIN 7981 2,9X13 INOX
13	2	PX-341743	R-02	CHAPA CASQUILLO LATERAL DISTR. MICRO PROSEM
14	2	PL-041752	R-01	RODILLO 24 CANALES DISTRIBUIDOR MICRO PROSEM
15	1	PL-041753	R-01	CUERPO SUPERIOR DISTR. MICRO PROSEM 2014
16	1	PL-041754	R-01	CUERPO INFERIOR DISTR. MICRO PROSEM 2014
17	1	PL-041741	R-01	TUERCA REGULACION DISTR. MICRO PROSEM
18	2	PL-041742	R-01	CASQUILLO LATERAL DISTR. MICRO PROSEM





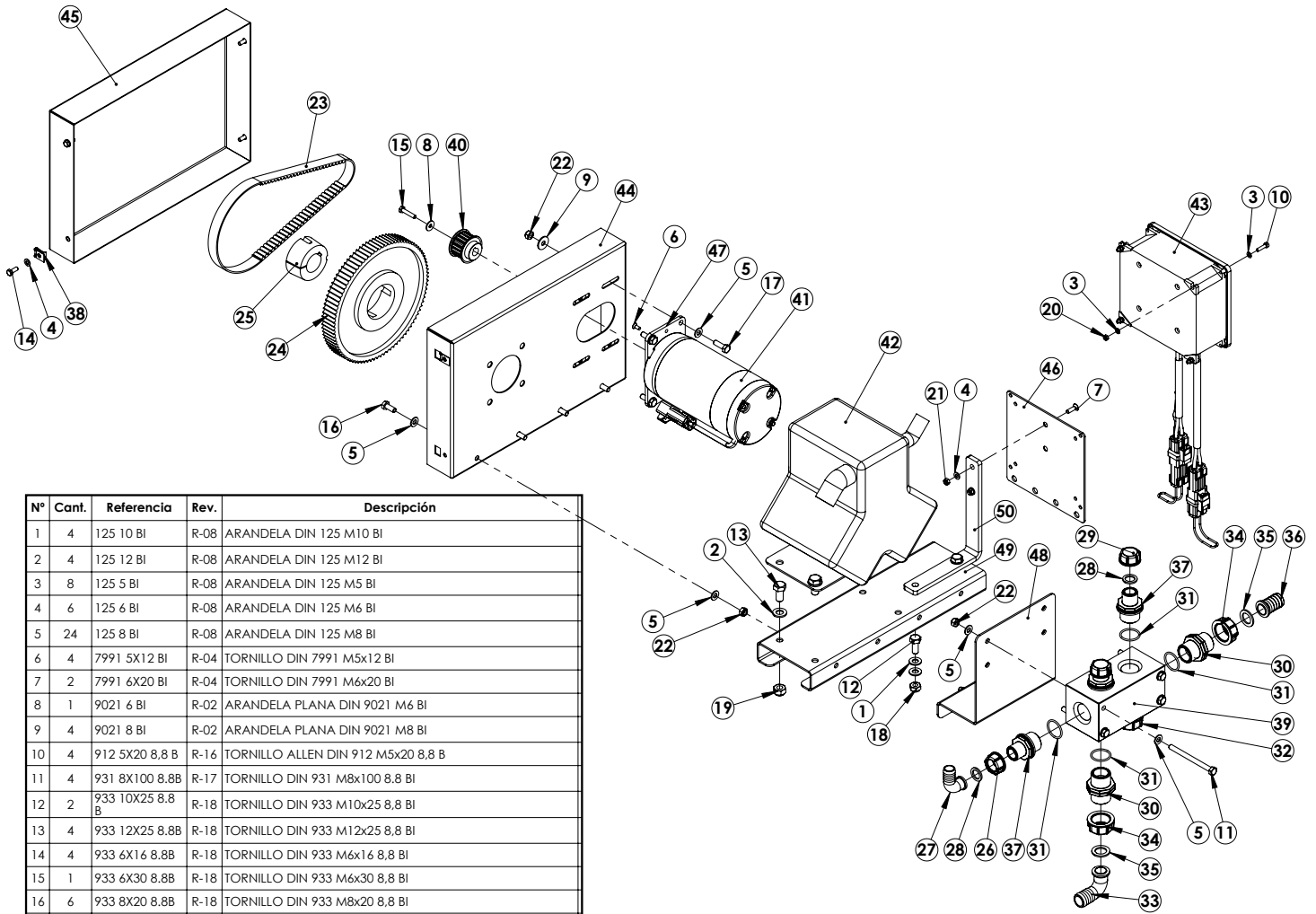
<b>MO-141796 REENVIO CENTRAL MICRO CAMBIO DELANTERO</b>			
<b>Nº</b>	<b>Referencia</b>	<b>Descripción</b>	<b>Cant.</b>
1	PX-241797	TAPA REENVIO CENTRAL MICRO CAMBIO DELANTERO	1
2	PS-141769	CAJA REENVIO CENTRAL MICRO CAMBIO DELANTERO	1
3	PS-141711	DOBLE PIÑON EXCL. TRASM. MICRO	1
4	PS-141710	EJE INTERIOR EXCL. TRASM. MICRO	1
5	PS-041775	EJE SALIDA REENVIO CENTRAL MICRO SF.	1
6	PS-041773	EJE SALIDA CARDANES MICRO SF.	1
7	PL-050400	CASQUILLO CON VALONA Ø25X28	2
8	ML-041705	MUELLE PATIN CAIDA SEMILLA	1
9	ME-241727	CASQUILLO RODILLO TENSOR MICRO SF.	2
10	ME-241725	RODILLO TENSOR CADENA MICRO SF	2
11	ME-101723	PISTON EXCLUSION RUEDA PISASEMILLA	1
12	FE-614027	TUERCA C/POMO M6 RUEDA PISASEMILLA	1
13	FE-605093	CADENA 1/2" ISO 08B1 L=381 29P+1E CERRADA	1
14	FE-605078	CADENA 1/2" ISO 08B1 NI-FR L=838,2 65P+1E ABIERTA	1
15	FE-600047	RODAMIENTO 6005 2RS CLASE C CNR	6
16	EE-041701	SOPORTE RODAMIENTO 6005	6
17	985 8	TUERCA DIN 985 M8	14
18	315 6 BI	PALOMILLA DIN 315 M6 BI	2
19	931 8X90 8.8B	TORNILLO DIN 931 M8x90 8.8 BI	2
20	931 6X90 8.8B	TORNILLO DIN 931 M6x90 8.8 BI	2
21	603 8X15 BI C-C	TORNILLO DIN 603 M8X15 BI CUELLO CORTO	12
22	1481 2X15 BI	PASADOR DIN 1481 M2X15	1
23	125 8 BI	ARANDELA DIN 125 Ø8BI	4

Nº	Cant.	Referencia	Rev.	Descripción
1	1	FE-614013	R-02	ABRAZADERA DE MUELLE Ø30
2	1	FE-614014	R-02	ABRAZADERA DE MUELLE TIPO FBS Ø32
3	2	FE-614072	R-02	ABRAZADERA DE MUELLE Ø27
4	2	VA-101708	R-02	TUBO FLEXIBLE SUP. Y INF. MICRO L=330MM
5	1	VA-101709	R-01	TUBO 32 MICRO
6	1	VA-101710	R-01	TUBO 20 MICRO HARVEST
7	1	VA-101711	R-01	TUBO 25 MICRO HARVEST



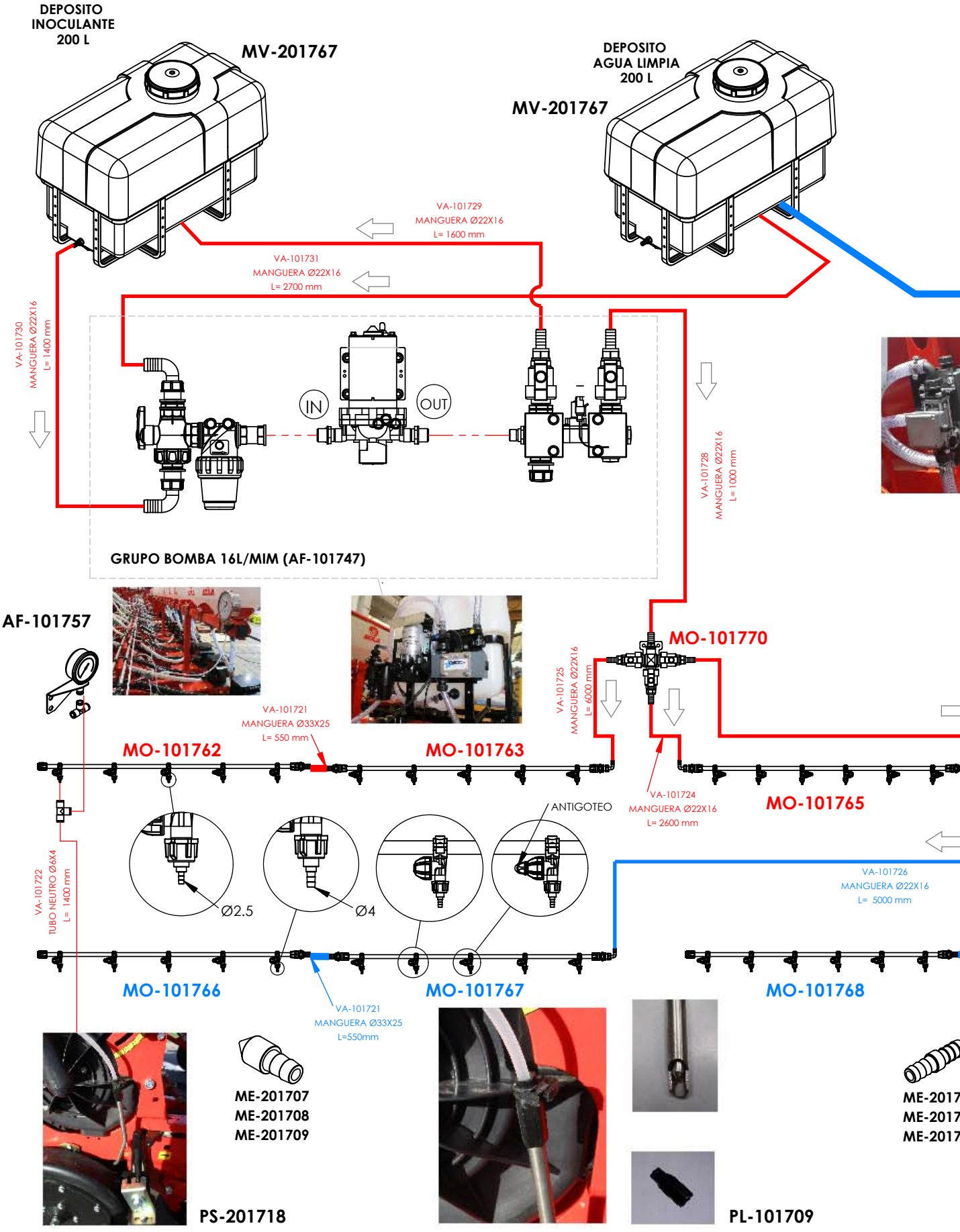
Nº	Defa ult/C ant.	Referencia	Rev.	Descripción
1	1	VA-101709	R-01	TUBO 32 MICRO
2	2	VA-101706	R-01	TUBO FLEXIBLE SUP. Y INF. MICRO L=260MM
3	1	VA-101710	R-01	TUBO 20 MICRO HARVEST
4	1	VA-101711	R-01	TUBO 25 MICRO HARVEST
5	1	FE-614014	R-02	ABRAZADERA DE MUELLE TIPO FBS Ø32
6	1	FE-614013	R-02	ABRAZADERA DE MUELLE Ø30
7	2	FE-614072	R-02	ABRAZADERA DE MUELLE Ø27



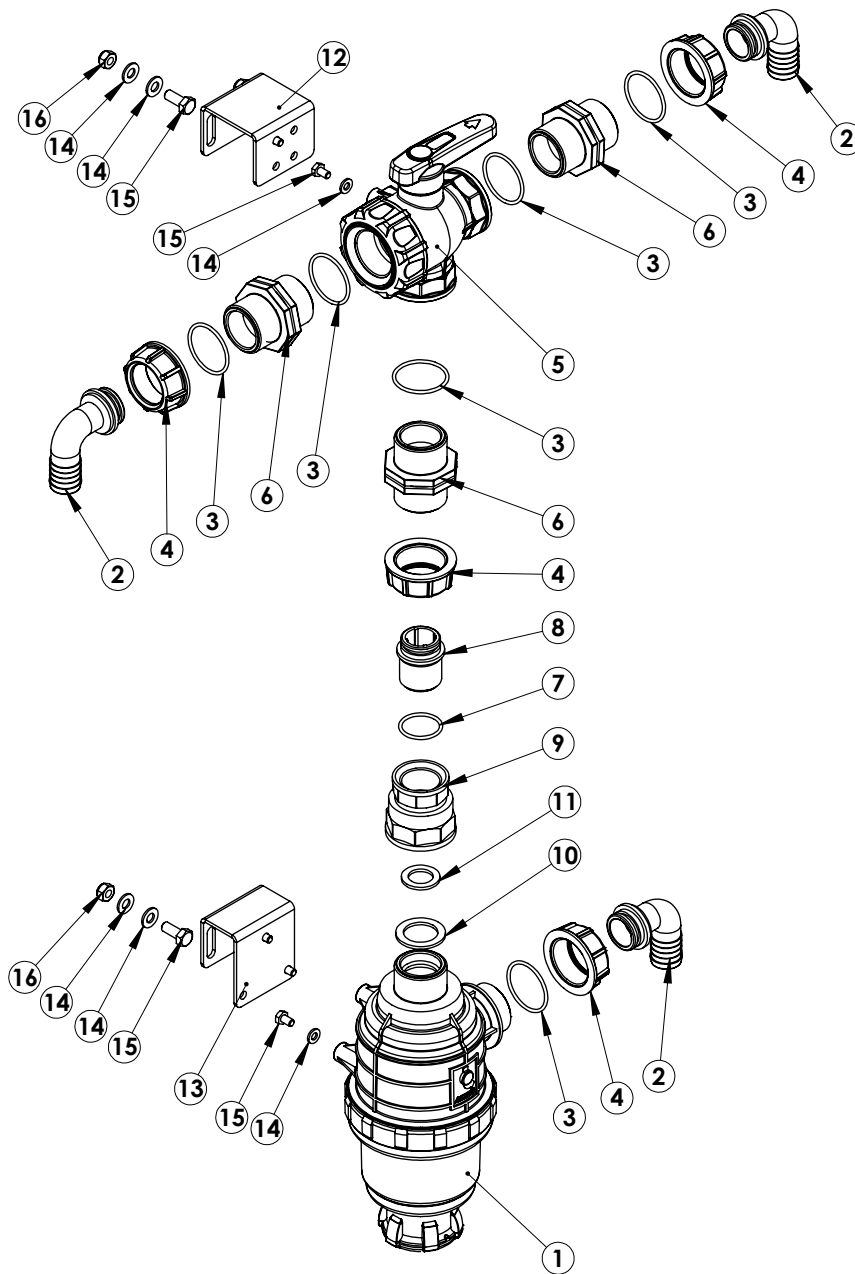


Nº	Cant.	Referencia	Rev.	Descripción
1	4	125 10 BI	R-08	ARANDELA DIN 125 M10 BI
2	4	125 12 BI	R-08	ARANDELA DIN 125 M12 BI
3	8	125 5 BI	R-08	ARANDELA DIN 125 M5 BI
4	6	125 6 BI	R-08	ARANDELA DIN 125 M6 BI
5	24	125 8 BI	R-08	ARANDELA DIN 125 M8 BI
6	4	7991 5X12 BI	R-04	TORNILLO DIN 7991 M5x12 BI
7	2	7991 6X20 BI	R-04	TORNILLO DIN 7991 M6x20 BI
8	1	9021 6 BI	R-02	ARANDELA PLANA DIN 9021 M6 BI
9	4	9021 8 BI	R-02	ARANDELA PLANA DIN 9021 M8 BI
10	4	912 5X20 8,8 B	R-16	TORNILLO ALLEN DIN 912 M5x20 8,8 B
11	4	931 8X100 8,8B	R-17	TORNILLO DIN 931 M8x100 8,8 BI
12	2	933 10X25 8,8 B	R-18	TORNILLO DIN 933 M10x25 8,8 BI
13	4	933 12X25 8,8B	R-18	TORNILLO DIN 933 M12x25 8,8 BI
14	4	933 6X16 8,8B	R-18	TORNILLO DIN 933 M6x16 8,8 BI
15	1	933 6X30 8,8B	R-18	TORNILLO DIN 933 M6x30 8,8 BI
16	6	933 8X20 8,8B	R-18	TORNILLO DIN 933 M8x20 8,8 BI
17	4	933 8X25 8,8B	R-18	TORNILLO DIN 933 M8x25 8,8 BI
18	2	985 10	R-09	TUERCA DIN 985 M10
19	4	985 12	R-09	TUERCA DIN 985 M12
20	4	985 5	R-09	TUERCA DIN 985 M5
21	2	985 6	R-09	TUERCA DIN 985 M6
22	14	985 8	R-09	TUERCA DIN 985 M8
23	1	FE-604515	R-01	CORREA DENTADA SIMPLE 912 8M ANCHO 20 MM
24	1	FE-604516	R-01	POLEA DENTADA 90 HTD-8M-20 2012 PARA TAPER LOCK
25	1	FE-604517	R-02	CASQUILLO CONICO Ø35 TAPER 2012
26	1	FE-612038	R-01	TUERCA P/RACOR G3/4 (2002030)
27	1	FE-612315	R-01	RACOR PORTAMANGUERA CURVO ASIENTO PLANO G3/4(115320)
28	3	FE-612316	R-01	JUNTA RACORES PORTAMANGUERA G3/4 (G 40013)
29	2	FE-612321	R-01	TAPON HEMBRA G 3/4 (2102030)
30	3	FE-612403	R-01	UNION SIMETRICA M/M G1 - G1 (2502040)
31	6	FE-612404	R-01	JUNTA PARA RACOR ESTANQUIEDAD OR G1" (G11059)
32	1	FE-612405	R-01	TAPON HEMBRA G1" (2102040)
33	1	FE-612406	R-01	RACOR PORTAMANG. CURCO C/ASIENTO G1"(115425)
34	2	FE-612407	R-01	TUERCA G 1" (2052040)
35	3	FE-612408	R-01	JUNTA P/RACORES PORTAMANG ASIENTO PLANO (G40014)
36	1	FE-612409	R-01	RACOR PORTAMANG. RECTO C/ASIENTO PLANO G1"(105425)
37	3	FE-612410	R-01	REDUCCION M/M G3/4 - G1 (2402043)
38	4	FE-614091	R-03	TUERCA RAPIDA "U" TRT-M6-2 ZINCADO
39	1	ME-101799	R-01	DISTRIBUIDOR SALIDA GRUPO BOMBA 30L/MIN
40	1	ME-201700	R-01	POLEA 18-8M-20 CONJUNTO BOMBA 30L
41	1	MV-201790	R-01	MOTOR ARAG MP80M B14 S2 0.55KW 1600RPM (6920743E)
42	1	MV-201793	R-01	BOMBA 3 MEMBRANAS POLY 2073 VP (BERTOLINI)
43	1	MV-301705		CAJA CONTROL BOMBA 30L/MIN
44	1	PS-201720	R-01	CONJUNTO CHAPA VERTICAL SOPORTE BOMBAS INOC/ABONO
45	1	PS-201721	R-01	CONJUNTO TAPA CORREAS BOMBAS INOCULANTE/ABONO
46	1	PX-301776		CHAPA SUJECION CAJA CONTROL BOMBA 25L/MIN
47	1	PX-301777	R-01	CHAPA SOPORTE MOTOR GRUPO BOMBA 25 L/MIN
48	1	PX-301780	R-01	CHAPA SOPORTE DISTRIBUIDOR CONJ BOMBA 30L/MIN
49	1	PX-301781	R-01	BASE SOPORTE BOMBAS INOCULANTE/ABONO
50	1	PX-401700		SOPORTE L CAJA CONTROL BOMBA 30L/MIN

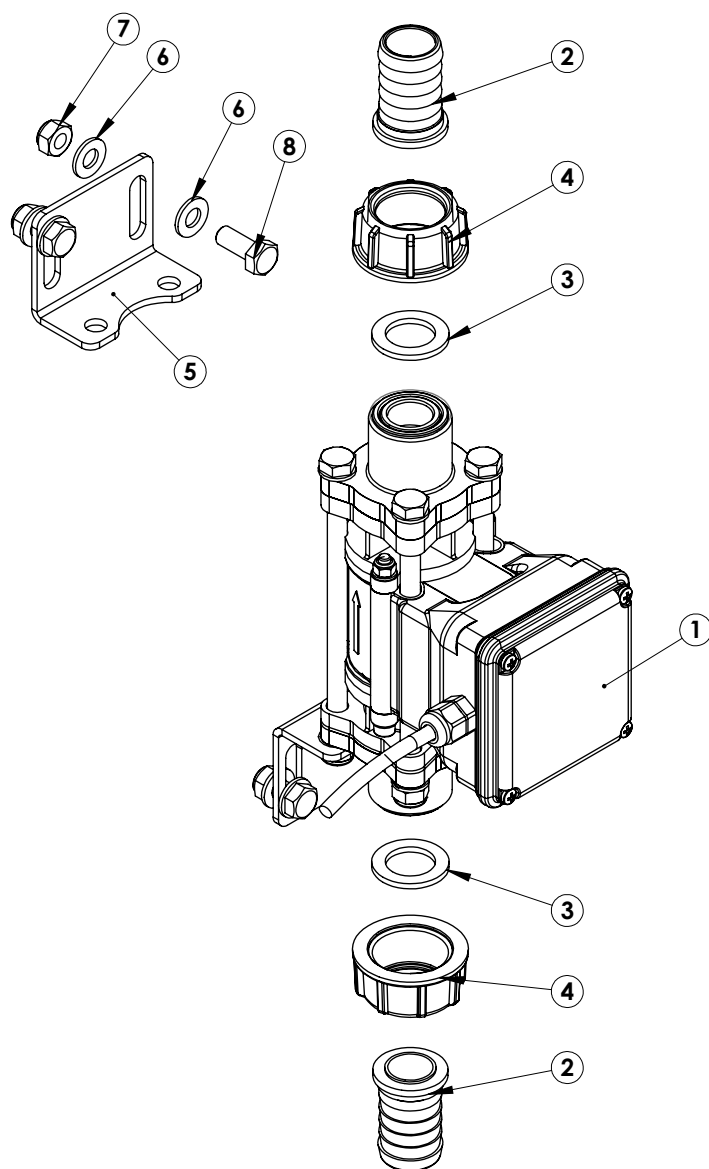
# ESQUEMA HIDRAULICO CIRCUITO ABONO LIQUIDO + INOCU





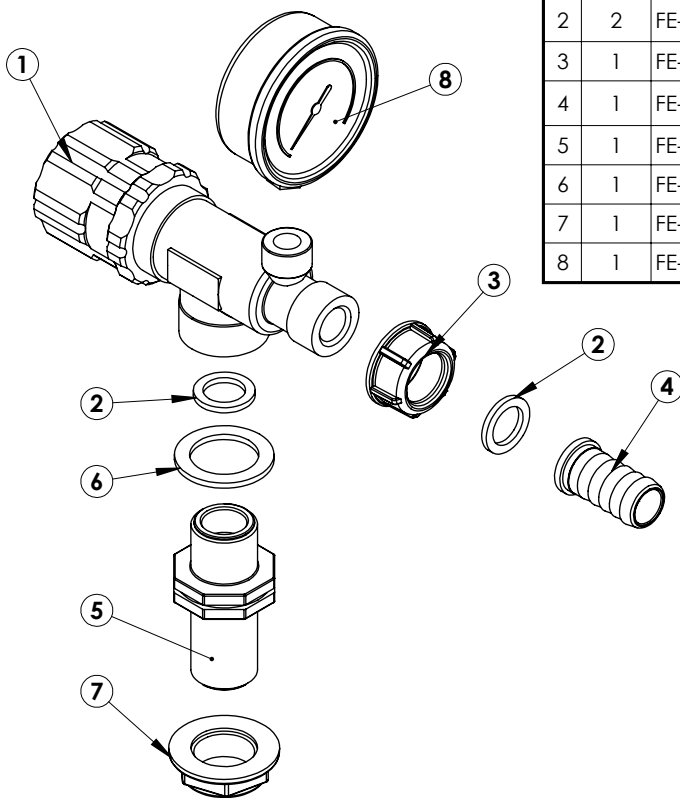


Nº	Cant.	Referencia	Rev.	Descripción
1	1	FE-612412	R-01	FILTRO ASPIRACION C/VALVULA G 1 1/4" (31424535)
2	3	FE-612413	R-01	RACOR PORTAMANGUERA CURVO PARA TUERCA (116525)
3	6	FE-612414	R-02	JUNTA PARA RACOR ESTANQUEIDAD OR G1 1/4" (G10052)
4	4	FE-612415	R-01	TUERCA P/RACOR G1 1/4 (2002050)
5	1	FE-612416	R-01	VALVULA DE BOLA 3 VIAS G1 1/4 (45521115)
6	3	FE-612417	R-01	RACOR UNION SIMETRICO G1 1/4" (2502050)
7	1	FE-612404	R-01	JUNTA PARA RACOR ESTANQUEIDAD OR G1" (G11059)
8	1	FE-612418	R-01	UNION ROSCADA MACHO P/TUERCA G 1 1/4" G1" (265054)
9	1	FE-612420	R-01	REDUCCION HEMBRA/HEMBRA G1 1/4" G1" (2352054)
10	1	FE-612114	R-01	TORICA PLANA G3/4 ARAG (G400015)
11	1	FE-612408	R-01	JUNTA P/RACORES PORTAMANG ASIENTO PLANO (G40014)
12	1	PX-301789	R-01	CHAPA SOPORTE SUPERIOR FILTRO BOMBA 30L/MIN
13	1	PX-301790	R-01	CHAPA SOPORTE INFERIOR FILTRO BOMBA 30L/MIN
14	13	125 8 BI	R-08	ARANDELA DIN 125 M8 BI
15	9	933 8X20 8.8B	R-18	TORNILLO DIN 933 M8x20 8,8 BI
16	4	985 8	R-09	TUERCA DIN 985 M8

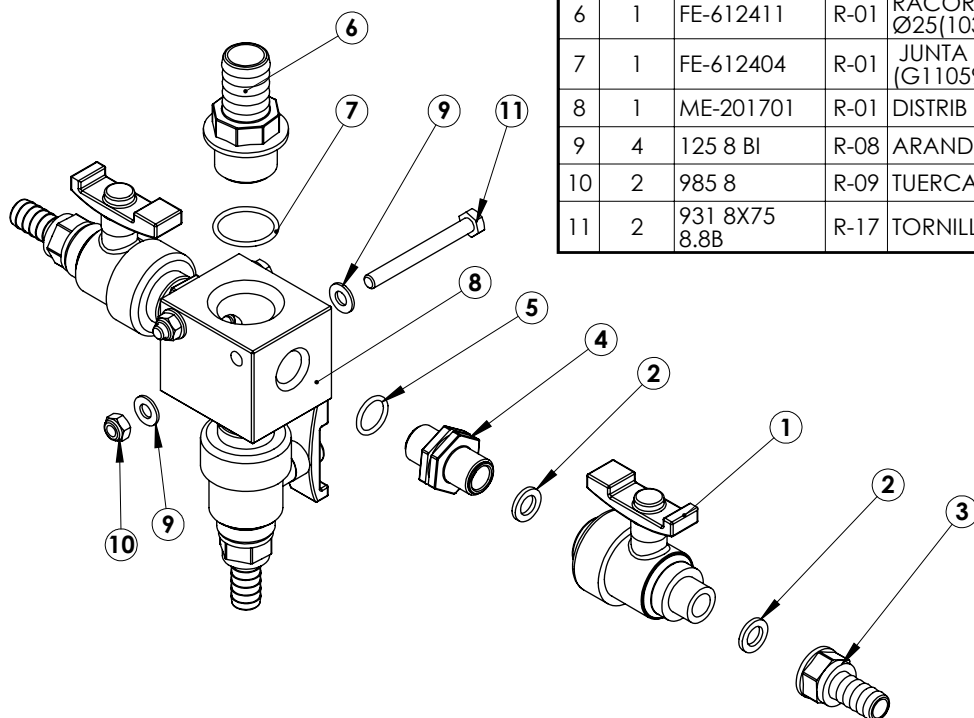


Nº	Cant.	Referencia	Rev.	Descripción
1	1	MV-201794	R-01	CAUDALIMETRO ELECTROMAGNE 5 A 100 L/MIN (4621AA314)
2	2	FE-612409	R-01	RACOR PORTAMANG. RECTO C/ASIENTO PLANO G1"(105425)
3	2	FE-612408	R-01	JUNTA P/RACORES PORTAMANG ASIENTO PLANO (G40014)
4	2	FE-612407	R-01	TUERCA G 1" (2052040)
5	2	PX-301784	R-01	CHAPA SUJECION CAUDALIMETRO BOMBA 30L/MIN
6	8	125 8 BI	R-08	ARANDELA DIN 125 M8 BI
7	4	985 8	R-09	TUERCA DIN 985 M8
8	4	933 8X20 8.8B	R-18	TORNILLO DIN 933 M8x20 8,8 BI

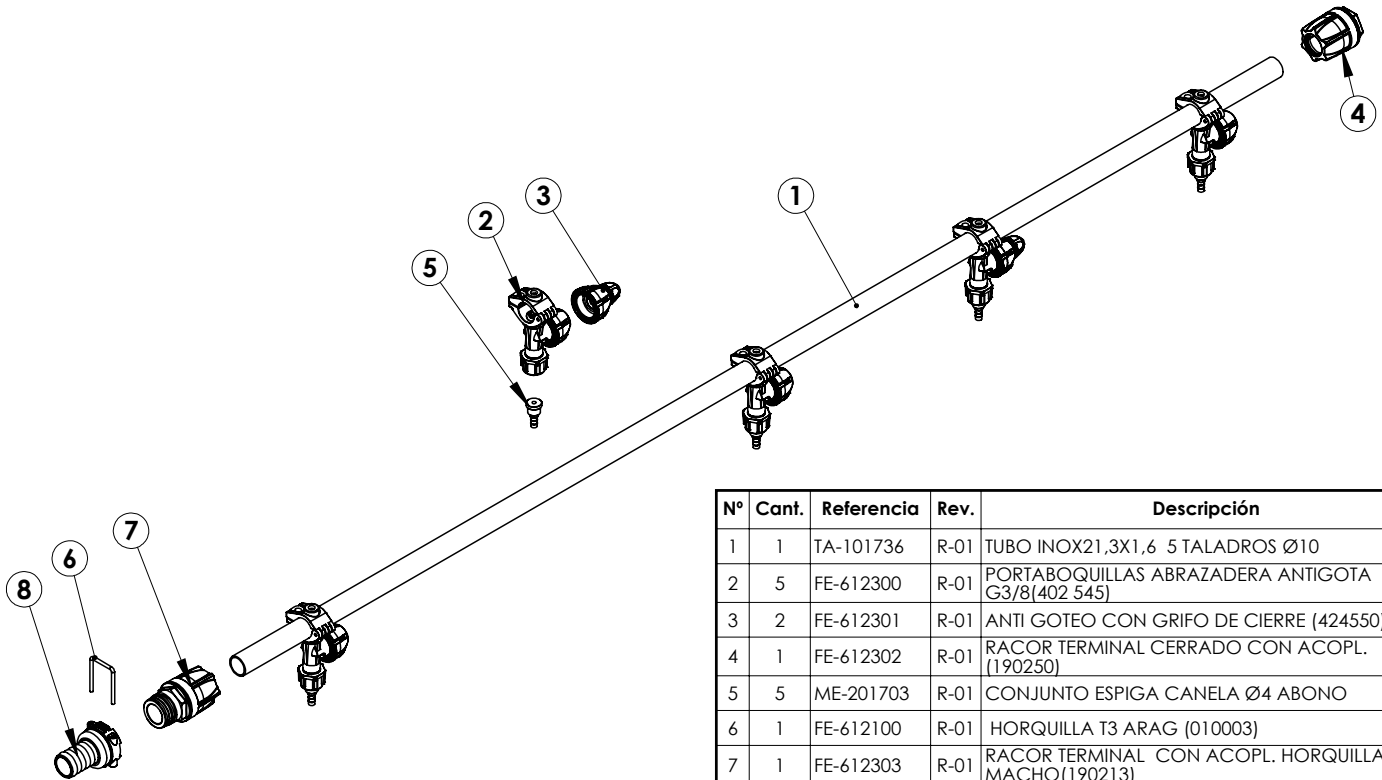




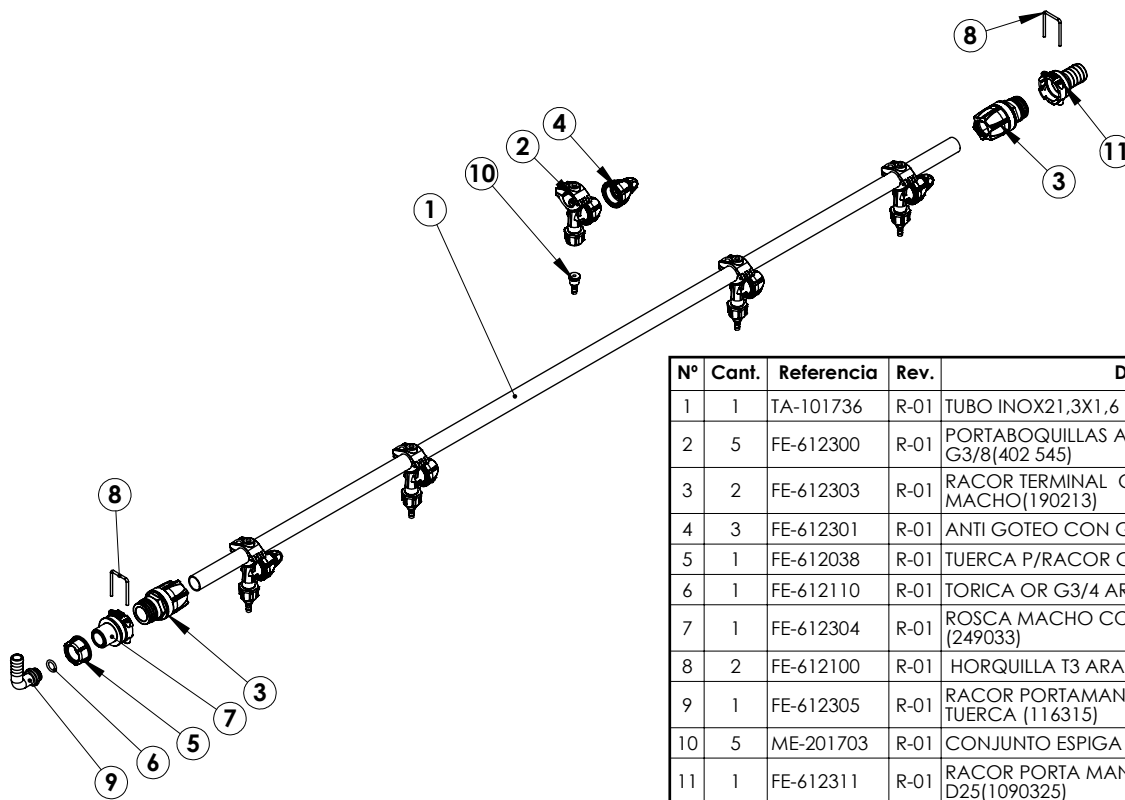
Nº	Cant.	Referencia	Rev.	Descripción
1	1	FE-612421	R-02	REGULADOR PRESION 10 BAR (23120 3/4-PP)
2	2	FE-612316	R-01	JUNTA RACORES PORTAMENGUERA G3/4 (G 40013)
3	1	FE-612038	R-01	TUERCA P/RACOR G3/4 (2002030)
4	1	FE-612422	R-01	RACOR PORTAM. RECTO C/ASIENTO PLANO G3/4"(105320)
5	1	FE-612423	R-01	UNION PASAPARED G3/4" (2502031)
6	1	FE-612114	R-01	TORICA PLANA G3/4 ARAG (G400015)
7	1	FE-612036	R-01	TUERCA BLOQUEADORA G3/4 (2052030)
8	1	FE-612424	R-02	MANOMETRO 0/6 BAR G1/4" Ø65mm



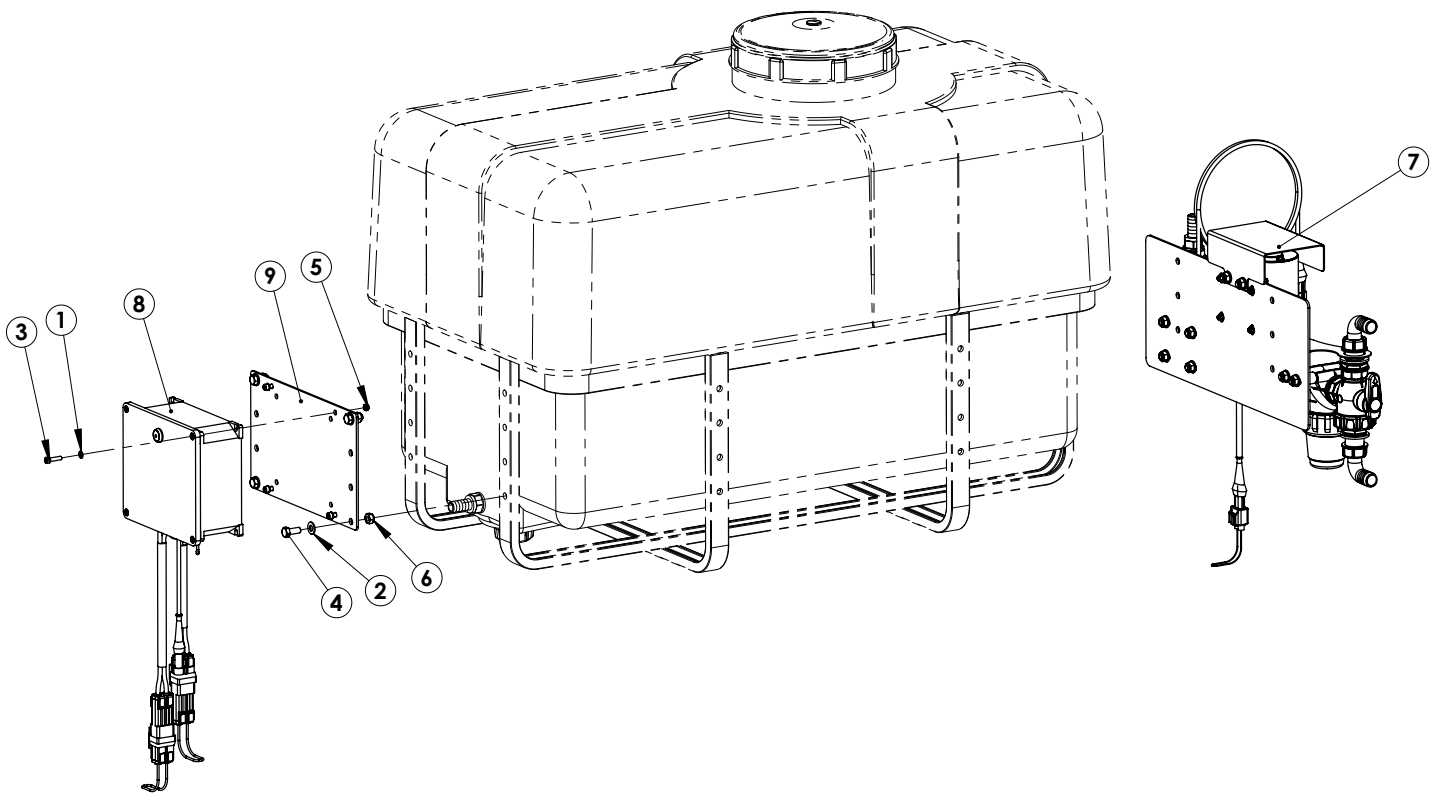
Nº	Cant.	Referencia	Rev.	Descripción
1	3	FE-612308	R-01	VALVULA DE BOLA MACHO/HEMBRA PN16 G1/2(VSA18S200)
2	6	FE-612309	R-01	JUNTA P/RACORES PORTAMANG ASIENTO PLANO (G40012)
3	3	FE-612306	R-01	RACOR PORTAMAN RECTO ROSCA HEMBRA G1/2 Ø16(100215)
4	3	FE-612320	R-01	RACOR UNION SIMETRICO G1/2 (2502020)
5	3	FE-612118	R-01	TORICA OR PASAPARED G1/2 (G10041)
6	1	FE-612411	R-01	RACOR PORTAMAN RECTO ROSCA MACHO G1 Ø25(1032425)
7	1	FE-612404	R-01	JUNTA PARA RACOR ESTANQUIEDAD OR G1" (G11059)
8	1	ME-201701	R-01	DISTRIB 3 VALVULAS BOLA G1/2 ABONO
9	4	125 8 BI	R-08	ARANDELA DIN 125 M8 BI
10	2	985 8	R-09	TUERCA DIN 985 M8
11	2	931 8X75 8.8B	R-17	TORNILLO DIN 931 M8x75 8.8 BI



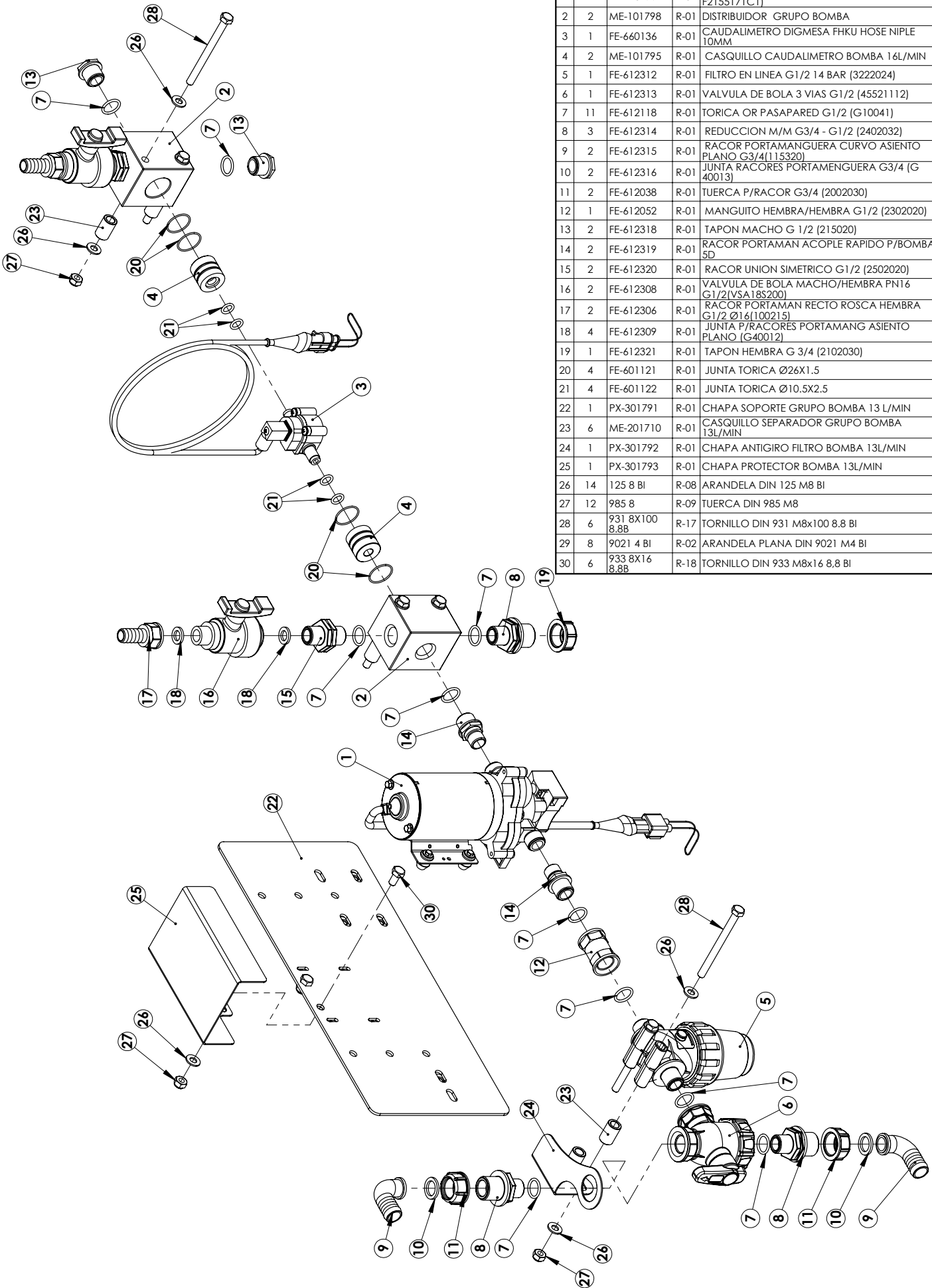
Nº	Cant.	Referencia	Rev.	Descripción
1	1	TA-101736	R-01	TUBO INOX21,3X1,6 5 TALADROS Ø10
2	5	FE-612300	R-01	PORTABOQUILLAS ABRAZADERA ANTIGOTA G3/8(402 545)
3	2	FE-612301	R-01	ANTI GOTEO CON GRIFO DE CIERRE (424550)
4	1	FE-612302	R-01	RACOR TERMINAL CERRADO CON ACOPL. (190250)
5	5	ME-201703	R-01	CONJUNTO ESPIGA CANELA Ø4 ABONO
6	1	FE-612100	R-01	HORQUILLA T3 ARAG (010003)
7	1	FE-612303	R-01	RACOR TERMINAL CON ACOPL. HORQUILLA MACHO(190213)
8	1	FE-612311	R-01	RACOR PORTA MANGUERA RECTO HEMBRA T3 D25(1090325)



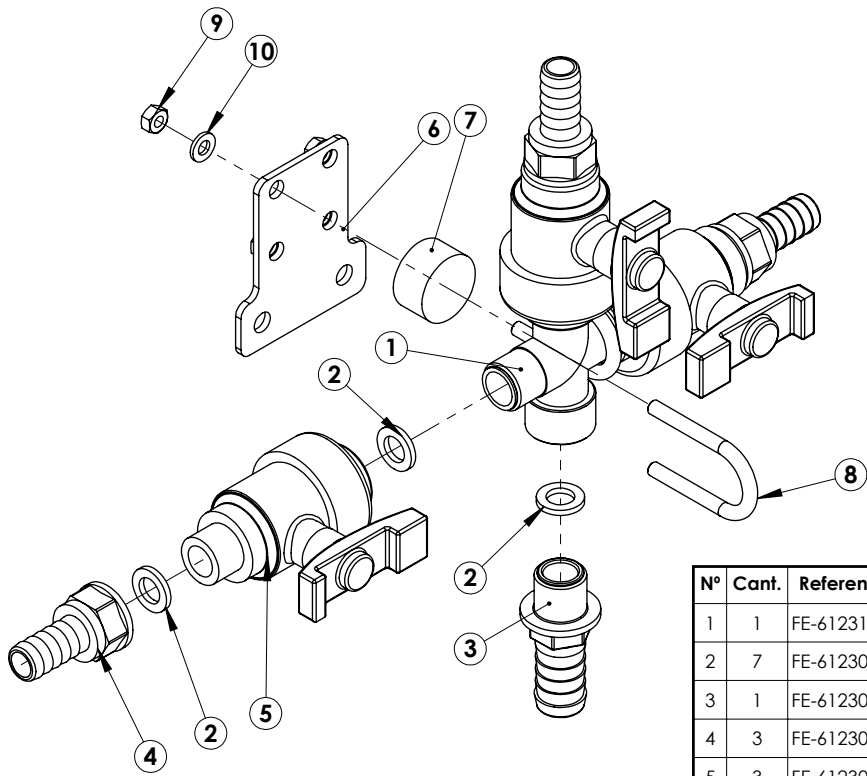
Nº	Cant.	Referencia	Rev.	Descripción
1	1	TA-101736	R-01	TUBO INOX21,3X1,6 5 TALADROS Ø10
2	5	FE-612300	R-01	PORTABOQUILLAS ABRAZADERA ANTIGOTA G3/8(402 545)
3	2	FE-612303	R-01	RACOR TERMINAL CON ACOPL. HORQUILLA MACHO(190213)
4	3	FE-612301	R-01	ANTI GOTEO CON GRIFO DE CIERRE (424550)
5	1	FE-612038	R-01	TUERCA P/RACOR G3/4 (2002030)
6	1	FE-612110	R-01	TORICA OR G3/4 ARAG (G10031)
7	1	FE-612304	R-01	ROSCA MACHO CON CONEXION HEMBRA T3 (249033)
8	2	FE-612100	R-01	HORQUILLA T3 ARAG (010003)
9	1	FE-612305	R-01	RACOR PORTAMANGUERA CURVO PARA TUERCA (116315)
10	5	ME-201703	R-01	CONJUNTO ESPIGA CANELA Ø4 ABONO
11	1	FE-612311	R-01	RACOR PORTA MANGUERA RECTO HEMBRA T3 D25(1090325)



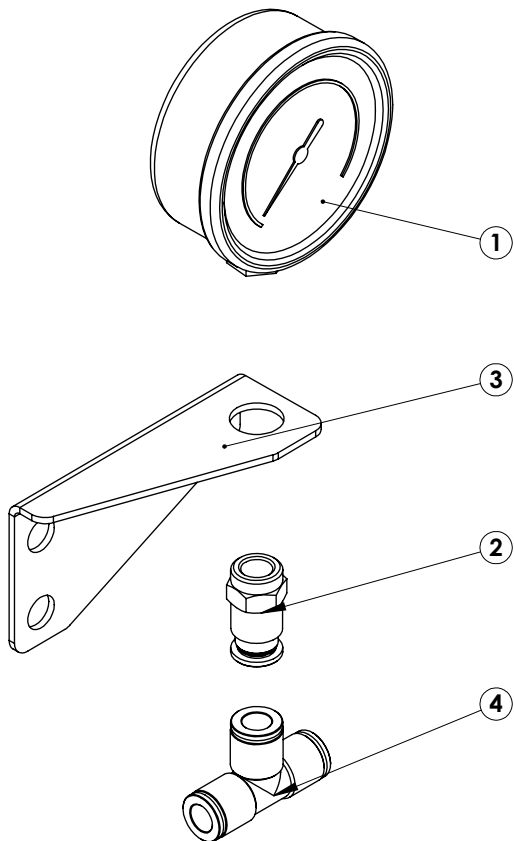
Nº	Cant.	Referencia	Rev.	Descripción
1	4	125 5 BI	R-08	ARANDELA DIN 125 M5 BI
2	4	125 8 BI	R-08	ARANDELA DIN 125 M8 BI
3	4	912 5X20 8,8 B	R-16	TORNILLO ALLEN DIN 912 M5x20 8,8 B
4	4	933 8X20 8,8B	R-18	TORNILLO DIN 933 M8x20 8,8 BI
5	4	985 5	R-09	TUERCA DIN 985 M5
6	4	985 8	R-09	TUERCA DIN 985 M8
7	1	AF-101747	R-01	CONJUNTO BOMBA 13L STARTEC
8	1	MV-301706		CAJA CONTROL BOMBA 13L/MIN
9	1	PX-301798		SOPORTE CAJA CONTROL INOCULANTE



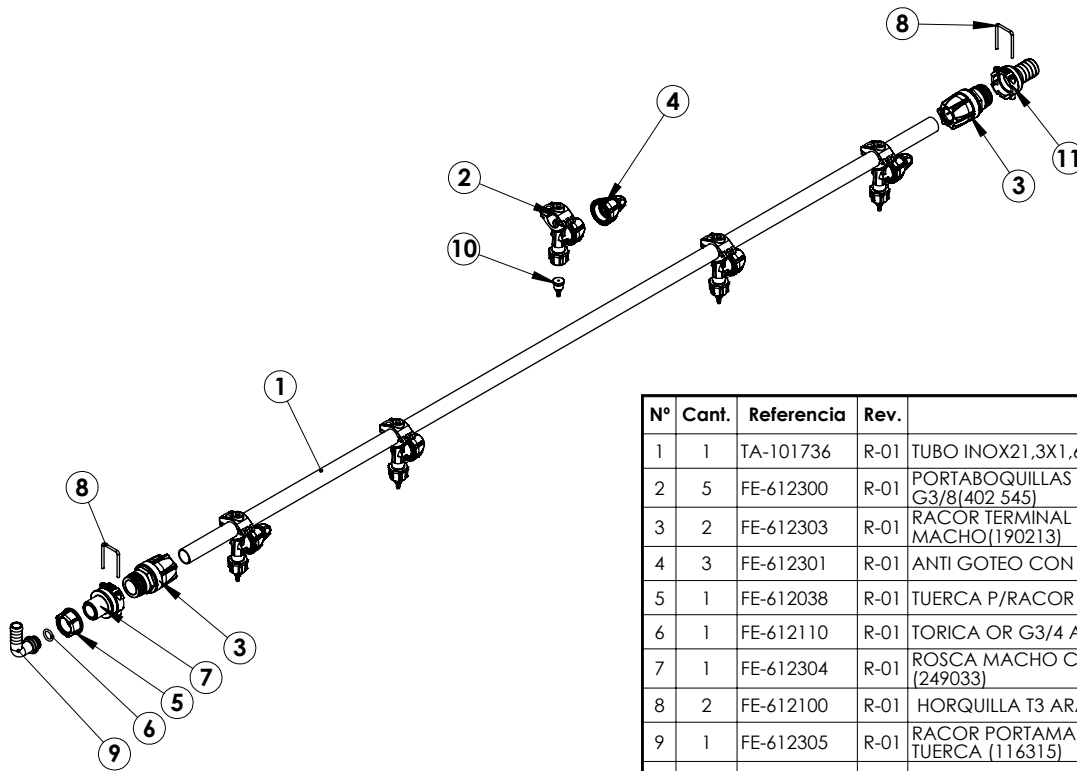
Nº	Cant.	Referencia	Rev.	Descripción
1	1	MV-201792	R-01	BOMBA DE MEMBRANA 19 L/MIN ( ARAG F2155171C1)
2	2	ME-101798	R-01	DISTRIBUIDOR GRUPO BOMBA
3	1	FE-660136	R-01	CAUDALIMETRO DIGMESA FHKU HOSE NIPLE 10MM
4	2	ME-101795	R-01	CASQUILLO CAUDALIMETRO BOMBA 16L/MIN
5	1	FE-612312	R-01	FILTRO EN LINEA G1/2 14 BAR (3222024)
6	1	FE-612313	R-01	VALVULA DE BOLA 3 VIAS G1/2 (45521112)
7	11	FE-612118	R-01	TORICA OR PASAPARED G1/2 (G10041)
8	3	FE-612314	R-01	REDUCCION M/M G3/4 - G1/2 (2402032)
9	2	FE-612315	R-01	RACOR PORTAMANGUERA CURVO ASIENTO PLANO G3/4(115320)
10	2	FE-612316	R-01	JUNTA RACORES PORTAMANGUERA G3/4 (G 40013)
11	2	FE-612038	R-01	TUERCA P/RACOR G3/4 (2002030)
12	1	FE-612052	R-01	MANGUITO HEMBRA/HEMBRA G1/2 (2302020)
13	2	FE-612318	R-01	TAPON MACHO G 1/2 (215020)
14	2	FE-612319	R-01	RACOR PORTAMAN ACOPLE RAPIDO P/BOMBAS 5D
15	2	FE-612320	R-01	RACOR UNION SIMETRICO G1/2 (2502020)
16	2	FE-612308	R-01	VALVULA DE BOLA MACHO/HEMBRA PN16 G1/2(VSA18S200)
17	2	FE-612306	R-01	RACOR PORTAMAN RECTO ROSCA HEMBRA G1/2 Ø16(100215)
18	4	FE-612309	R-01	JUNTA P/RACORES PORTAMANG ASIENTO PLANO (G40012)
19	1	FE-612321	R-01	TAPON HEMBRA G 3/4 (2102030)
20	4	FE-601121	R-01	JUNTA TORICA Ø26X1.5
21	4	FE-601122	R-01	JUNTA TORICA Ø10.5X2.5
22	1	PX-301791	R-01	CHAPA SOPORTE GRUPO BOMBA 13 L/MIN
23	6	ME-201710	R-01	CASQUILLO SEPARADOR GRUPO BOMBA 13L/MIN
24	1	PX-301792	R-01	CHAPA ANTIGIRO FILTRO BOMBA 13L/MIN
25	1	PX-301793	R-01	CHAPA PROTECTOR BOMBA 13L/MIN
26	14	125 8 BI	R-08	ARANDELA DIN 125 M8 BI
27	12	985 8	R-09	TUERCA DIN 985 M8
28	6	931 8X100 8.8B	R-17	TORNILLO DIN 931 M8x100 8.8 BI
29	8	9021 4 BI	R-02	ARANDELA PLANA DIN 9021 M4 BI
30	6	933 8X16 8.8B	R-18	TORNILLO DIN 933 M8x16 8.8 BI



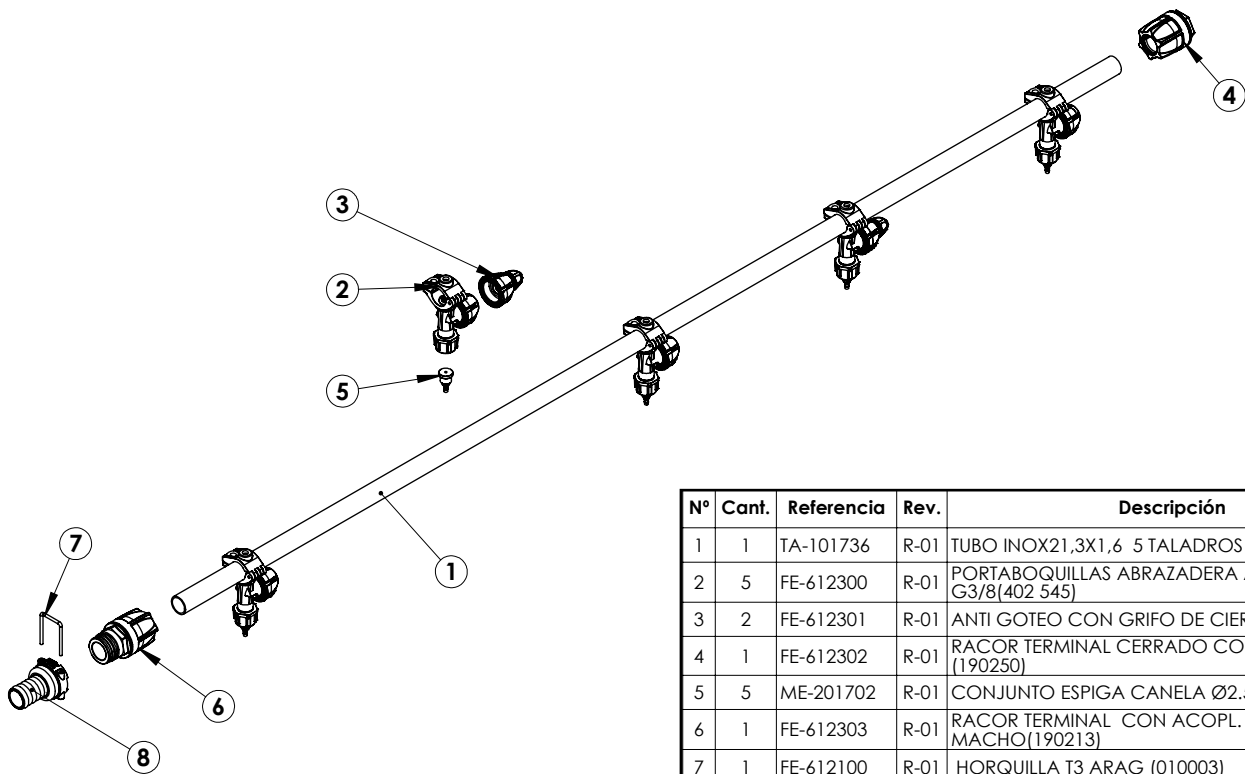
Nº	Cant.	Referencia	Rev.	Descripción
1	1	FE-612310	R-01	RACOR DE 4 VIAS 90° MACHO/HEMBRA G1/2 (150120)
2	7	FE-612309	R-01	JUNTA P/RACORES PORTAMANG ASIENTO PLANO (G40012)
3	1	FE-612307	R-01	RACOR PORTAMAN RECTO ROSCA MACHO G1/2 Ø20(1032220)
4	3	FE-612306	R-01	RACOR PORTAMAN RECTO ROSCA HEMBRA G1/2 Ø16(100215)
5	3	FE-612308	R-01	VALVULA DE BOLA MACHO/HEMBRA PN16 G1/2(VSA18S200)
6	1	PX-301787	R-01	CHAPA SOPORTE CONJ DISTRIB 3 VALVULAS BOLA G1/2
7	1	CT-201736	R-01	SEPARADOR CONJ DISTRIB 3 VALVULAS BOLA G1/2
8	2	EE-101758	R-01	BRIDA CONJ DISTRIB 3 VALVULAS BOLA G1/2
9	4	934 6 BI	R-07	TUERCA DIN 934 M6 BI
10	4	125 6 BI	R-08	ARANDELA DIN 125 M6 BI



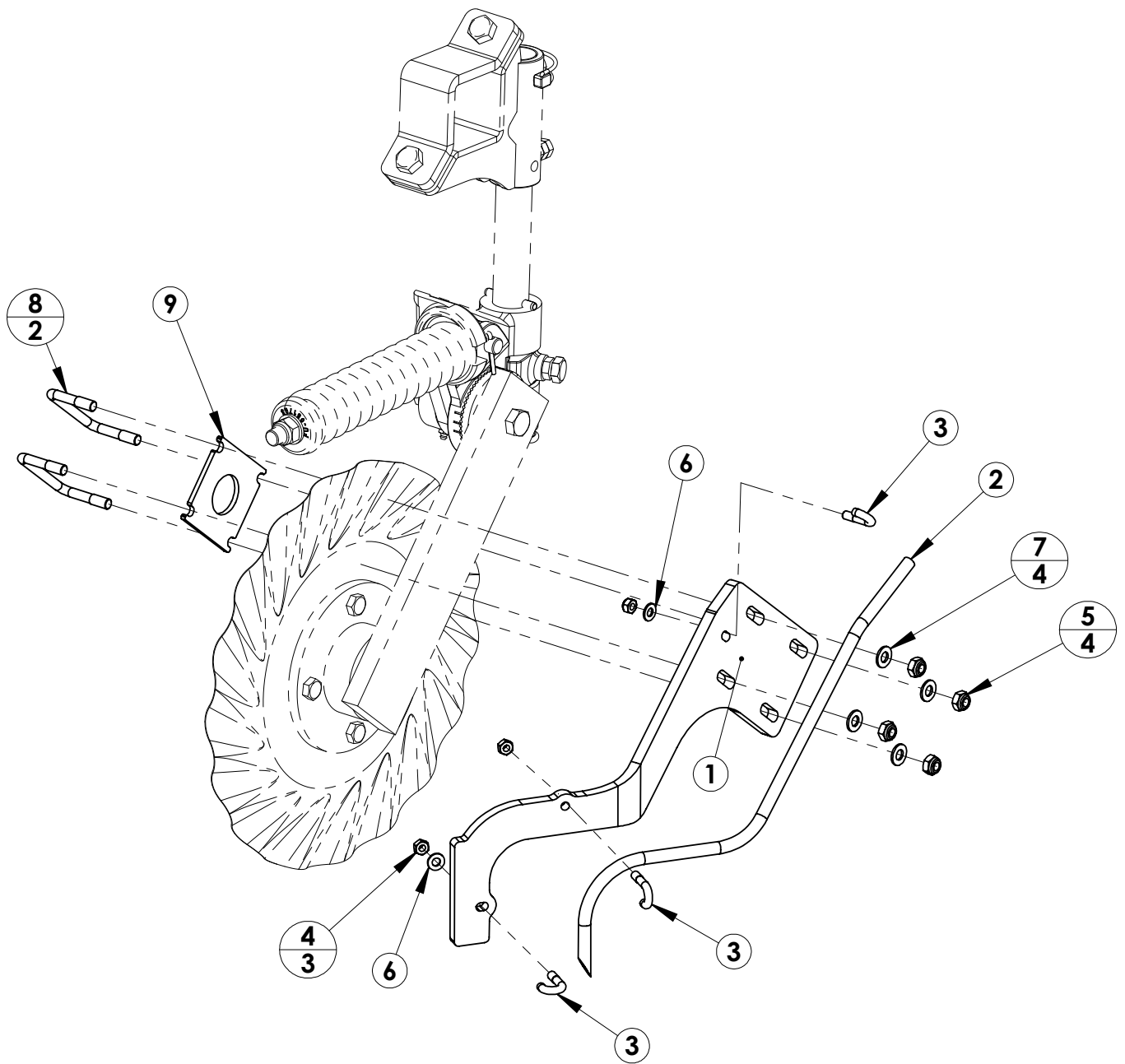
Nº	Cant.	Referencia	Rev.	Descripción
1	1	FE-612425	R-02	MANOMETRO INOX 0-4 BAR G1/4" Ø100mm
2	1	FE-607025	R-02	CONECTOR NEUM RAPIDO TUBO Ø6 ROSCA HEMBRA G1/4"
3	1	PX-301788	R-01	CHAPA SOPORTE MANOMETRO CONTROL FINAL LINEA
4	1	FE-607024	R-02	CONECTOR NEUMÁTICO RAPIDO T Ø6-Ø6-Ø6



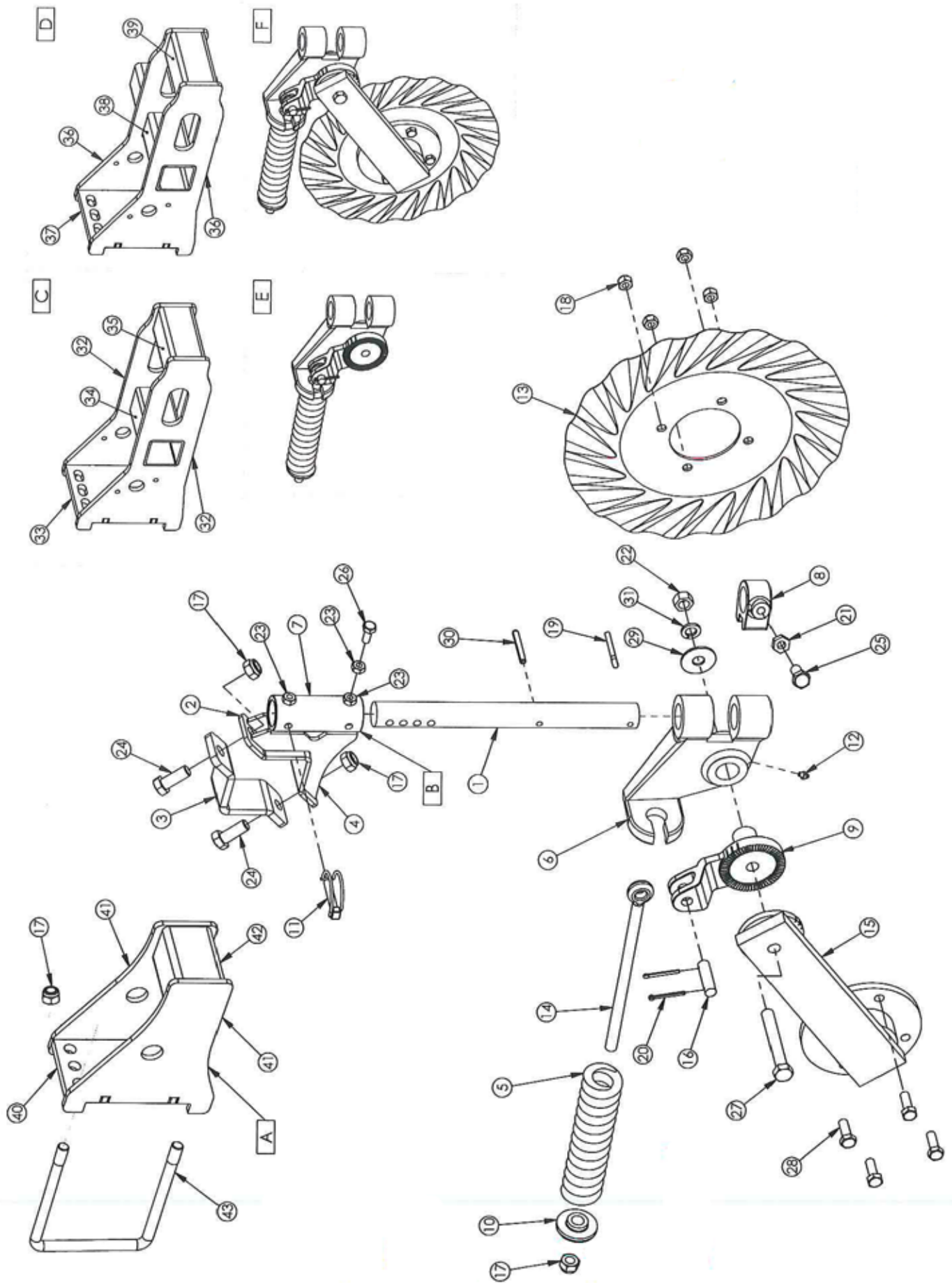
Nº	Cant.	Referencia	Rev.	Descripción
1	1	TA-101736	R-01	TUBO INOX21,3X1,6 5 TALADROS Ø10
2	5	FE-612300	R-01	PORTABOQUILLAS ABRAZADERA ANTIGOTA G3/8(402 545)
3	2	FE-612303	R-01	RACOR TERMINAL CON ACOPL. HORQUILLA MACHO(190213)
4	3	FE-612301	R-01	ANTI GOTEO CON GRIFO DE CIERRE (424550)
5	1	FE-612038	R-01	TUERCA P/RACOR G3/4 (2002030)
6	1	FE-612110	R-01	TORICA OR G3/4 ARAG (G10031)
7	1	FE-612304	R-01	ROSCA MACHO CON CONEXION HEMBRA T3 (249033)
8	2	FE-612100	R-01	HORQUILLA T3 ARAG (010003)
9	1	FE-612305	R-01	RACOR PORTAMANGUERA CURVO PARA TUERCA (116315)
10	5	ME-201702	R-01	CONJUNTO ESPIGA CANELA Ø2.5 INOCULANTE
11	1	FE-612311	R-01	RACOR PORTA MANGUERA RECTO HEMBRA T3 D25(1090325)



Nº	Cant.	Referencia	Rev.	Descripción
1	1	TA-101736	R-01	TUBO INOX21,3X1,6 5 TALADROS Ø10
2	5	FE-612300	R-01	PORTABOQUILLAS ABRAZADERA ANTIGOTA G3/8(402 545)
3	2	FE-612301	R-01	ANTI GOTEO CON GRIFO DE CIERRE (424550)
4	1	FE-612302	R-01	RACOR TERMINAL CERRADO CON ACOPL. (190250)
5	5	ME-201702	R-01	CONJUNTO ESPIGA CANELA Ø2.5 INOCULANTE
6	1	FE-612303	R-01	RACOR TERMINAL CON ACOPL. HORQUILLA MACHO(190213)
7	1	FE-612100	R-01	HORQUILLA T3 ARAG (010003)
8	1	FE-612311	R-01	RACOR PORTA MANGUERA RECTO HEMBRA T3 D25(1090325)

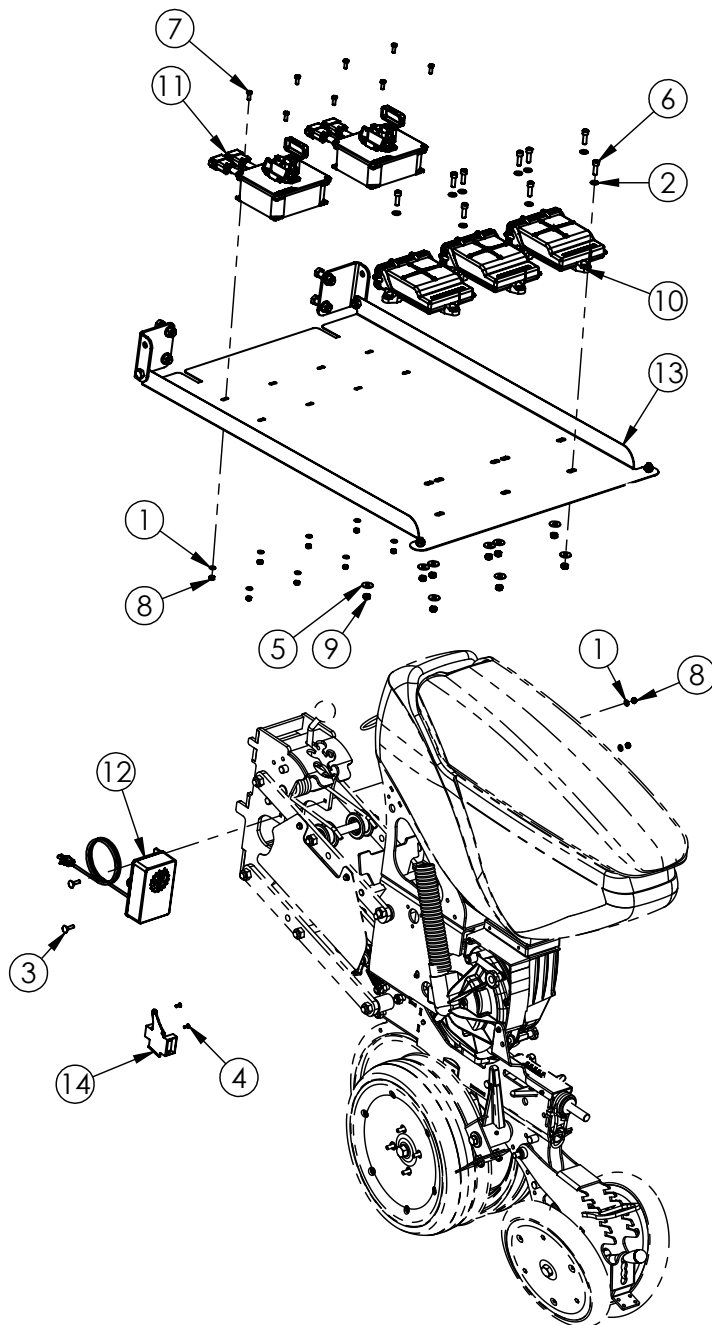


Nº	Cant.	Referencia	Rev.	Descripción
1	1	PX-451732-D	R-01	CHAPA SOPORTE TUBO ABONO LIQUIDO DISCO TURBO DER.
2	1	EE-051764-D	R-02	TUBO Ø12X1 INOX ABONO DISCO TURBO DER.
3	3	EE-051762	R-02	GANCHO FIJACION TUBO Ø12 ABON LIQUIDO DISCO TURBO
4	3	985 8	R-08	TUERCA DIN 985 M8
5	4	985 10	R-08	TUERCA DIN 985 M10
6	2	125 8 BI	R-06	ARANDELA DIN 125 M8 BI
7	4	125 10 BI	R-06	ARANDELA DIN 125 M10 BI
8	2	EE-051763	R-02	ABARCON 75X35 M10
9	1	PX-451733	R-01	CHAPA ABARCON ABONO LIQUIDO DISCO TURBO

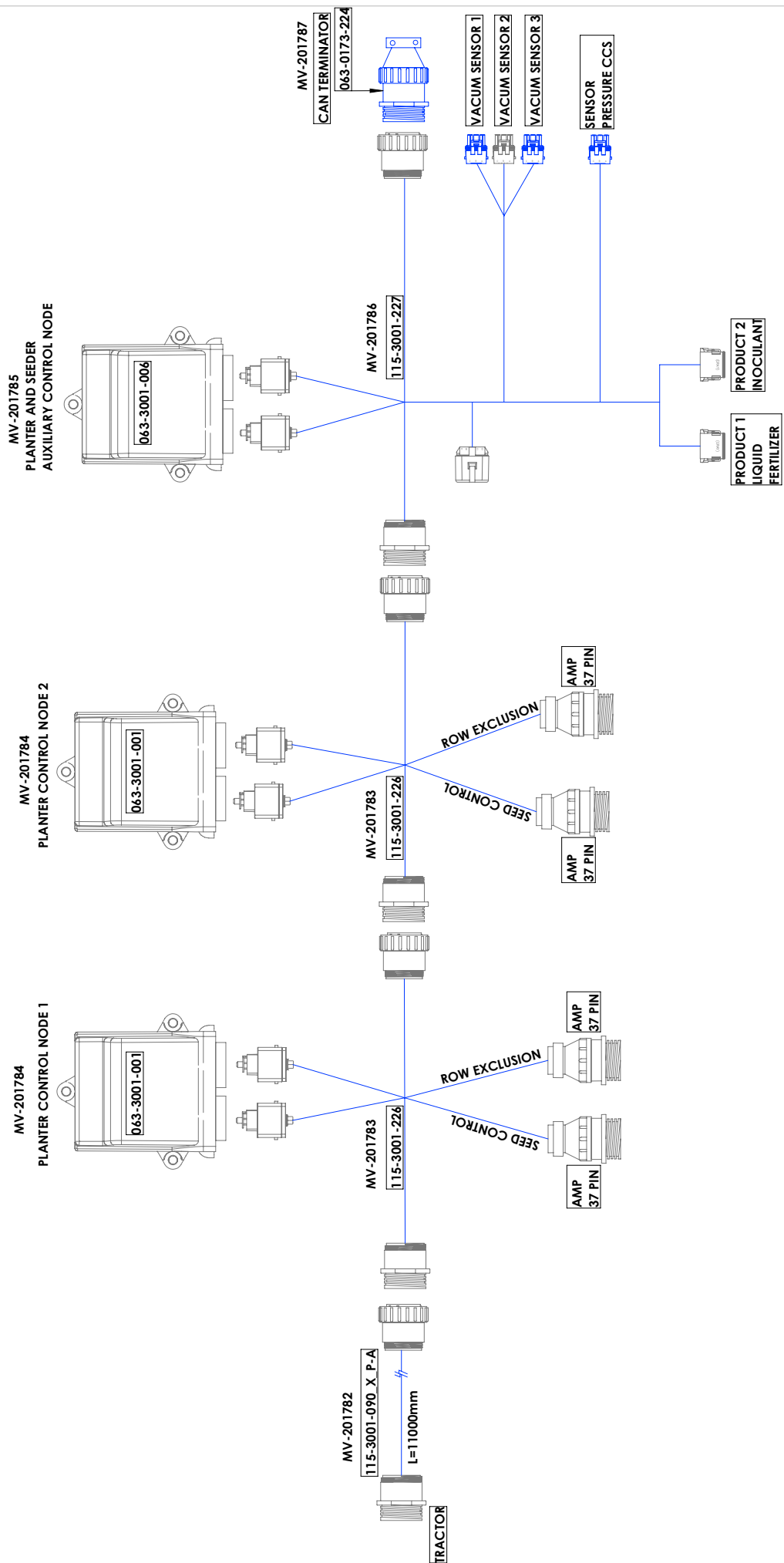


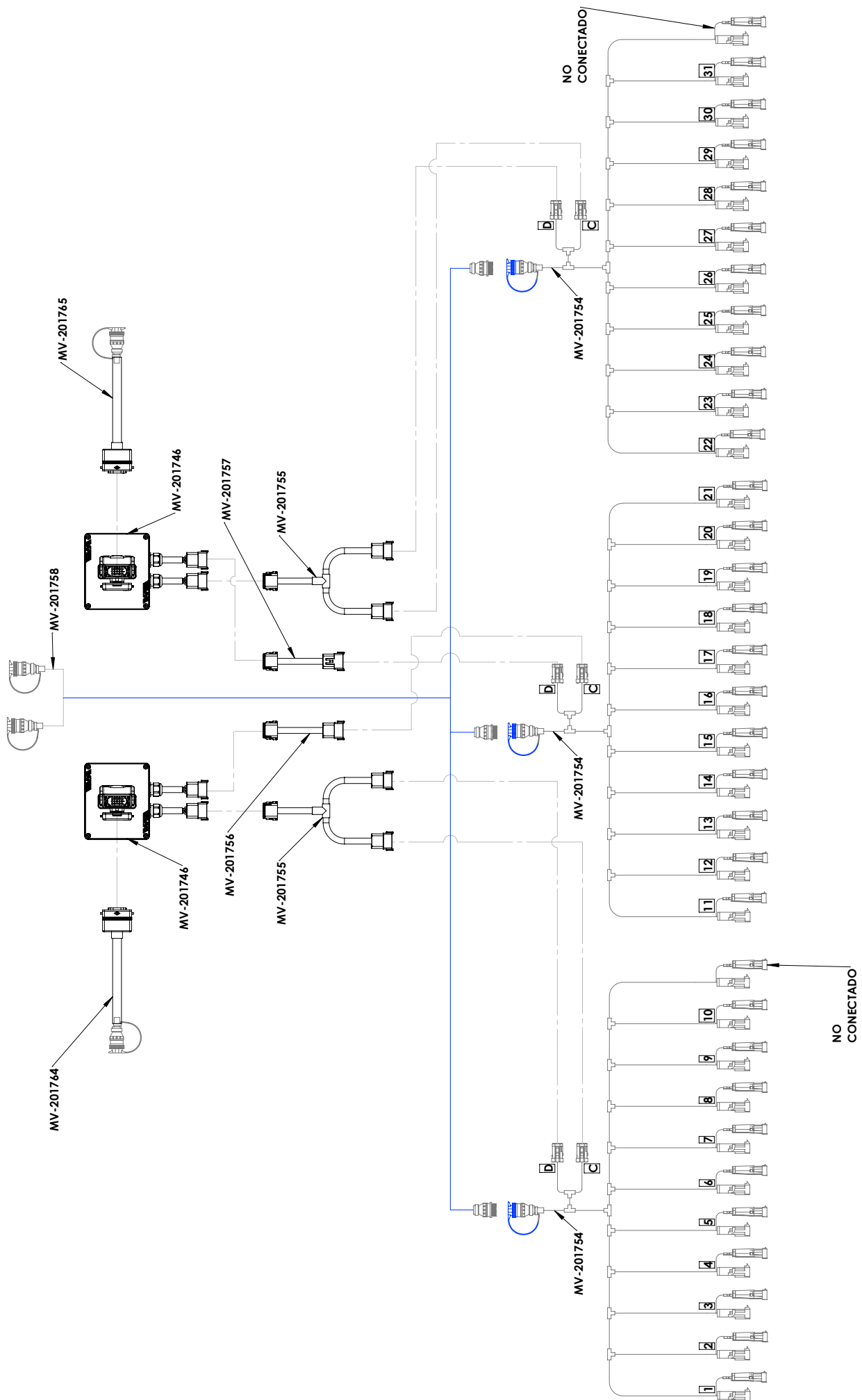


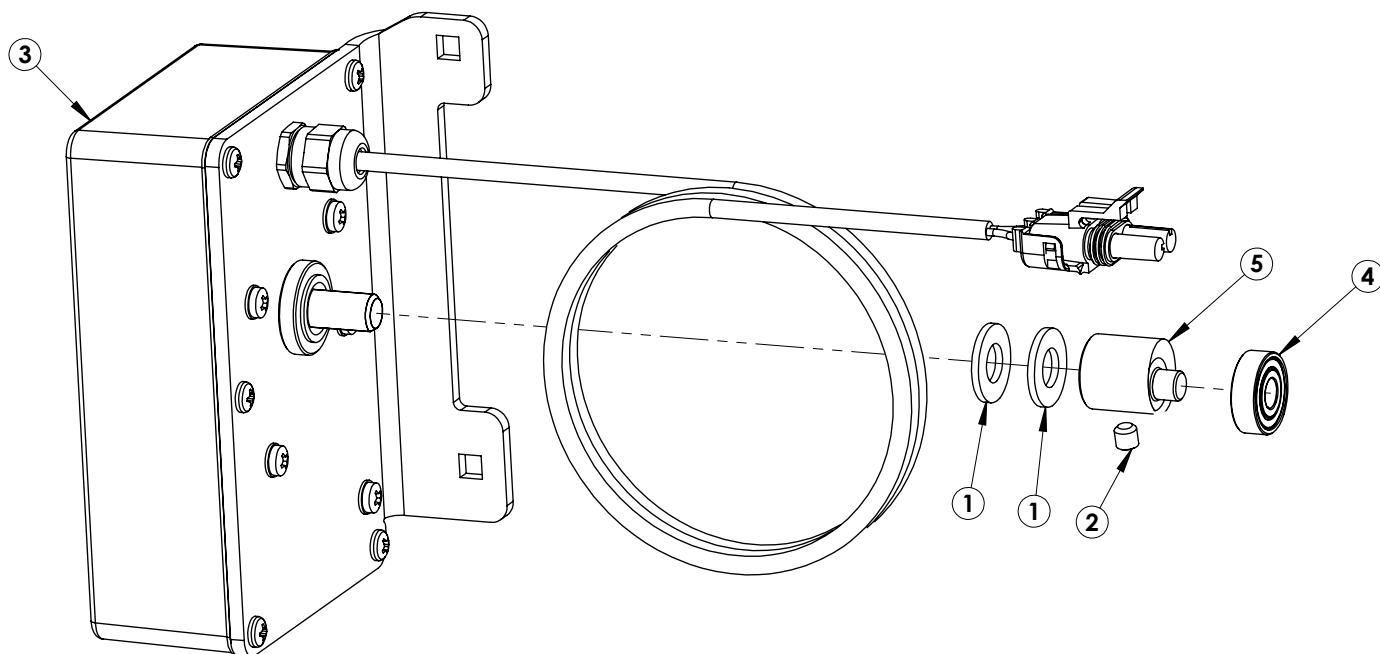
Nº	Referencia	Descripción	Material	C.
1	TA-051719	VASTAGO Ø35 L=380MM D-DISCO ABON. 2011	CT-051762	1
2	PX-151783	BRIDA DIAGONAL 70x70 ESPESOR 6MM	ST-44 CHAPA 6MM	1
3	PX-151782	BRIDA DIAGONAL 70x70 ESPESOR 10MM	ST-37 CHAPA 10mm	1
4	PX-151781	CARTELA SOPORTE BRIDA DISCO TURBO O ABON.	ST-44 CHAPA 6MM	2
5	ML-051707	MUELLE DISCO ABONADOR PROSEM	DIN 17223-C	1
6	ME-251700-D	PIVOTE DER. DISCO MUELLE HORIZONTAL	FUNDICIÓN	1
7	ME-151703	CASQUILLO SOPORTE BRIDA DISCO TURBO O ABON.	TUBO 50X7 DIN 2391	1
8	ME-051741	BLOQUEADOR PIVOTE DISCO	FUNDICION	1
9	ME-051738	SOPORTE BIELA DISCO MUELLE HORIZONTAL	FUNDICIÓN	1
10	FU-051703	TOPE MUELLE DISCO ABONADOR	FUNDICIÓN	1
11	FE-610009	PASADOR CENTRO EJE Ø10x60 BICR	0	1
12	FE-603001	ENGRASADOR RECTO M-6	FERRETERIA	1
13	EE-061703	CUCHILLA TURBO 16"	0	1
14	EE-051751	TENSOR MUELLE DISCO ABONADORA	F-114	1
15	CO-061715-1	BIELA DISCO TURBO ABRIDOR		1
16	BU-051703	BULON MUELLE DISCO ABONADOR	RED Ø 16 C.	1
17	985 16	TUERCA DIN 985 M16	FERRETERIA	3
18	985 12	TUERCA DIN 985 M12	FERRETERIA	4
19	94 8X50 BI	PASADOR DE ALETAS DIN 94 8X50 BI	FERRETERIA	1
20	94 5x45 BI	PASADOR ALETAS DIN 94 M 5X45 BICROMATADO	FERRETERIA	2
21	936 14-150	TUERCA DIN 936 M14 /150	FERRETERIA	1
22	934 W 5-8	TUERCA HEXAGONAL R/UNC 5/8"	FERRETERIA	1
23	934 10	TUERCA DIN 934 M10	FERRETERIA	3
24	933 16X40 8.8B	TORNILLO DIN 933 M16x40 8.8 BI	FERRETERIA	2
25	FE-614078	TORNILLO DIN 961 M14/150X32 42-47 BI PUNTA VACIADA		1
26	933 10X30 10.9 B	TORNILLO DIN 933 M10x25 10.9 BI	FERRETERIA	1
27	931 W 5-8X114	TORNILLO HEXAGONAL R/UNC 5/8 114	FERRETERIA	1
28	931 12X35 8.8B	TORNILLO DIN 931 M12x35 8.8 BI	FERRETERIA	4
29	9021 16 BI	ARANDELA 9021 16 BI	FERRETERIA	1
30	1481 8X60 BI	PASADOR ELASTICO DIN 1481 Ø8x60 BI	FERRETERIA	1
31	127 16 BI	ARANDELA DIN 127Ø16BI	FERRETERIA	1
32	PX-251776	LATERAL SOP. DOBLE TURBO-ABONADORA BRIDA DIAGONAL	ST-37 CHAPA 10 mm	2
33	PX-151775	AMARRE SOPORTE DOBLE TURBO-ABONADORA	ST-37 CHAPA 12mm	1
34	CT-111705	TUBO 70x70x4 L=160	KGS.TUBO 70X70X4 ST-44	1
35	CT-051729	TUBO 70x70x4 L=140	TUBO 70x70x4 ST-37	1
36	PX-251776	LATERAL SOP. DOBLE TURBO-ABONADORA BRIDA DIAGONAL	ST-37 CHAPA 10 mm	2
37	PX-151775	AMARRE SOPORTE DOBLE TURBO-ABONADORA	ST-37 CHAPA 12mm	1
38	CT-111719	TUBO 70x70x4 L=290	TUBO 70x70x4	1
39	CT-051729	TUBO 70x70x4 L=140	TUBO 70x70x4 ST-37	1
40	PX-151780	AMARRE SOPORTE CONJUNTO DISCO TURBO	ST-37 CHAPA 12 mm	1
41	PX-151779	LATERAL SOPORTE CONJUNTO DISCO TURBO	ST-37 CHAPA 8 mm	2
42	CT-111731	TUBO 70x70x4 L=98	TUBO 70x70x4	1
43	EE-011705	BRIDA "U" 150 PROSEM		1
<b>CONJUNTOS</b>				
A	PS-051753	SOPORTE SIMPLE DISCO TURBO-ABONADORA		
B	PS-051798	BRIDA DIAGONAL PARA VASTAGO Ø35		
C	PS-151726	SOP. DOBLE DISCO TURBO Y ABONADORA BRIDA DIAGONAL		
D	PS-151727/D	SOP. DOBLE DESP. TURBO Y ABON BRIDA DIAGONAL DER.		
	PS-151727/I	SOP. DOBLE DESP. TURBO Y ABON BRIDA DIAGONAL IZQ.		
E	MO-151715/D	CONJUNTO SOPORTE DISCO MUELLE HORIZONTAL DER.		
	MO-151715/I	CONJUNTO SOPORTE DISCO MUELLE HORIZONTAL IZQ.		
F	MO-151710/D	PREMONTAJE SOPORTE DISCO TURBO CON DISCO DER		
	MO-151710/I	PREMONTAJE SOPORTE DISCO TURBO CON DISCO IZQ		
	AF-051759/D	ELEMENTO DISCO TURBO 16" AMARRE DIAGONAL DER.		
	AF-051759/I	ELEMENTO DISCO TURBO 16" AMARRE DIAGONAL IZQ.		



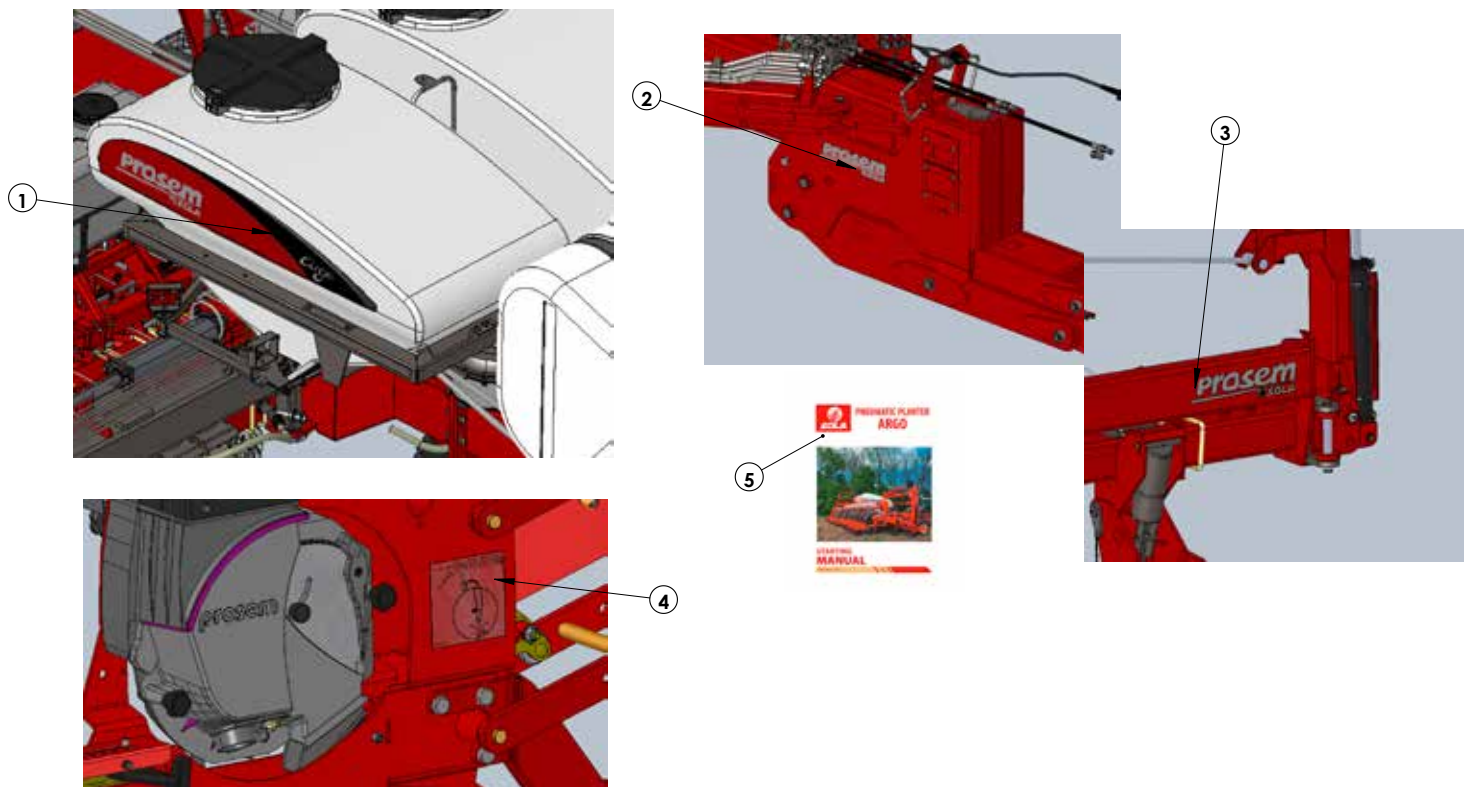
Nº	Cant.	Referencia	Rev.	Descripción
1	70	125 6 BI	R-06	ARANDELA DIN 125 M6 BI
2	9	125 8 BI	R-06	ARANDELA DIN 125 M8 BI
3	62	603 6x25 8.8 BI	R-14	TORNILLO DIN 603 M6x20 BI
4	62	7991 4X12 BI	R-04	TORNILLO DIN 7991 M4x12 BI
5	9	9021 8 BI	R-02	ARANDELA PLANA DIN 9021 M8 BI
6	9	912 8X25 8.8 B	R-13	TORNILLO ALLEN DIN 912 M8x25 8.8 B
7	8	933 6X16 8.8B	R-15	TORNILLO DIN 933 M6x16 8,8 BI
8	70	985 6	R-09	TUERCA DIN 985 M6
9	9	985 8	R-09	TUERCA DIN 985 M8
10	1	AF-101738		CONTROL OMNIROW RAVEN (31F + EXCL.16 SEC.) HARVEST
11	1	AF-101739	R-01	CABLEADO PARA RAVEN (31F + EXCL.16 SEC.) HARVEST
12	31	AF-101742	R-02	MOTOR EXCL AUTOM FILAS 5s 10Nm CON EXCENTRICA
13	1	AF-101743	R-01	CONJ SOPORTE ELECTRONICA CES-EXCLUSION HARVEST
14	31	CO-101771		FOTOCELULA ALTUR 6 SENSORES C/ SOPORTE PL







Nº	Cant.	Referencia	Rev.	Descripción
1	2	125 10 PA	R-08	ARANDELA DIN 125 M10 PA
2	1	913 6X6 BI	R-09	ESPARRAGO ALLEN DIN 913 M6x6 BI
3	1	MO-101754	R-05	MOTOR EXCLUSION AUTOM. FILA 5 SEG 10Nm
4	1	FE-600054	R-02	RODAMIENTO 608.2RS
5	1	ME-441774	R-03	EXCENTRICA 4,5 EXCL. AUTO. FILAS EJE Ø10



Nº	Cant.	Referencia	Rev.	Descripción
1	1	AD-071729		ADHESIVOS TOLVA PROSEM-HARVEST
2	2	AD-071703	R-01	ADHESIVO PROSEM 310X78 BLANCO
3	2	AD-071728	R-01	ADHESIVO PROSEM 550X136 BLANCO
4	1	AD-071726	R-01	ADHESIVO REGULACION PATIN EXPULSOR DE SEMILLA
5	1	CN-811116-GB		MANUAL INSTRUCCIONES PNEUMATIC PLANTER ARGO INGLES





**MAQUINARIA AGRÍCOLA SOLÁ, S.L.**  
Ctra. de Igualada, s/n. 08280 **CALAF** (Barcelona) España  
Tel. (0034) 93 868 00 60 - Fax (0034) 93 868 00 55

