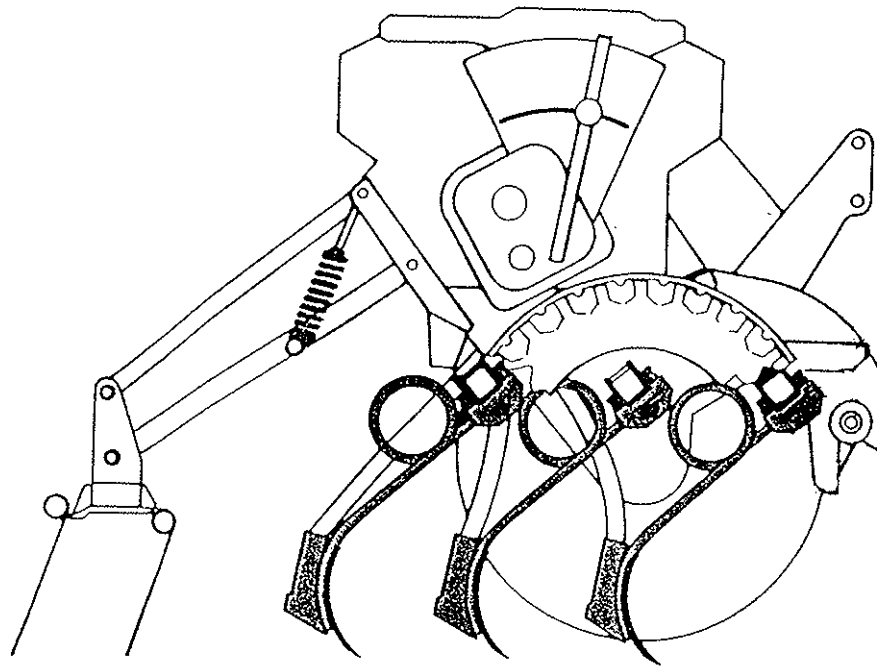


TRICOMBI

294



SOLA

STARTING

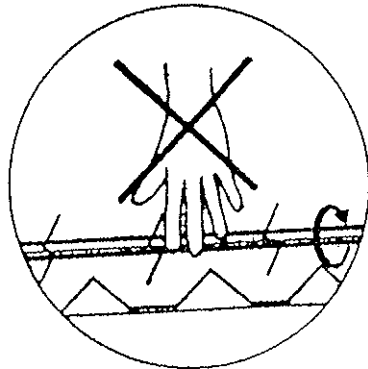
MAINTENANCE

DOSAGE TABLES

SPARE PARTS

¡VERY IMPORTANT!

BEFORE OPERATE THE MACHINE MUST CONNECT
THE SHAFT OF AGITATOR.
ONCE THE AGITATOR IS CONNECTED TURN ALWAYS
IN POSITION "0" INCLUSIVE THE VARIATOR.
DON'T INTRODUCE THE HAND OR OTHER OBJECT
INSIDE THE HOPPER, WHILE TIRES ROTATING.



¡DANGER!

THREE FUNDAMENTAL CONCEPT

SOIL

With soil in good condition more quality is seeding, over big patch or variable lines it's not possible to make good labour. Although the machine of SOLA are of big dimension and can resist hard efforts in adverse circumstances, seeding is not of high quality if bid of sowing does not reunied necessary conditions.

SEED

It's necessary use good and clean seed, and for barley well shave.

DEPTH

Normaly is 3 to 5cm. To deep too much is a mistake because seed cannot arrive to the surface and die. No problem if some grain are seeing:spikes of harrow cover it.

In cold areas the continous freezing make spongy the most superficial cape of earth with the risk to release the incipient roots of plant causing its death. In this case is recommendable to deep more or to pass Roller to compact soil and keep better protection of seed.

BEFORE START, THREE ADVISES...

FIRST

The machines with speed variator are motive of the RIGHT roller so that's why the rising bends must be taken to the LEFT,as to Right they would distribute less seed.

SECOND

Once machine operates,during 1 meter,there's no seeds in lines. In contrary:when the machine stop the grain slip out through tubes acumulating.Don't forget this for a good finish.

THIRD

Work always at uniform speed, the acceleration and violent brakes distribute seed in irregular form.

CONNECTION

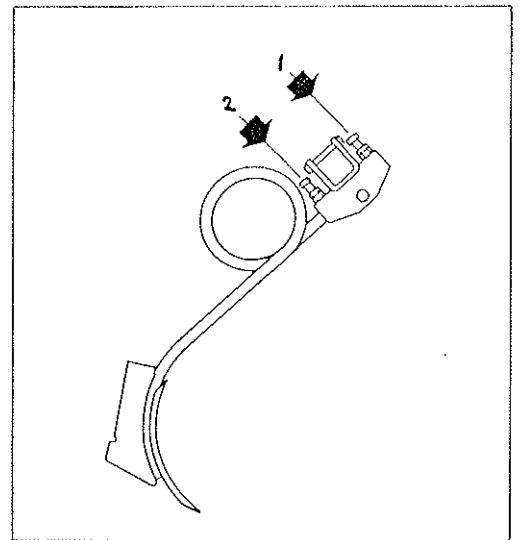
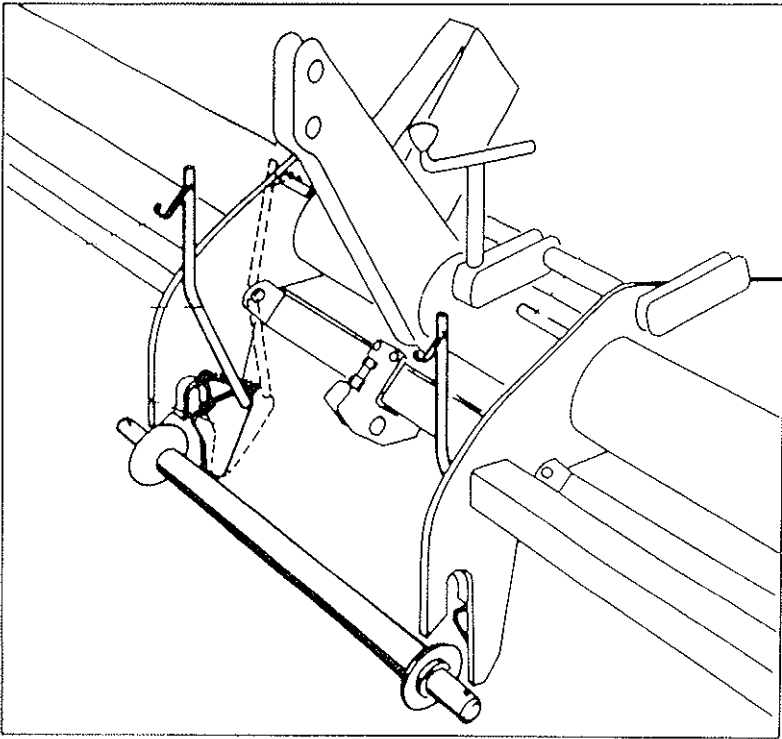
The machines are equipped for quick coupling at the hydraulic elevator and the draw bar, oscillator, it adapts at the irregular conditions of soil.

To disconnect machine, in elevated position, must retire pins and bolts.

INDIVIDUAL ARMS ADJUSTING

In soft soils, if the wheel track of tractor remain marked is convenient to give more penetration in shares which coincide with the tires, raising the central shares (1-2).

With the arms of Mark-eraser this adjustment's not necessary.



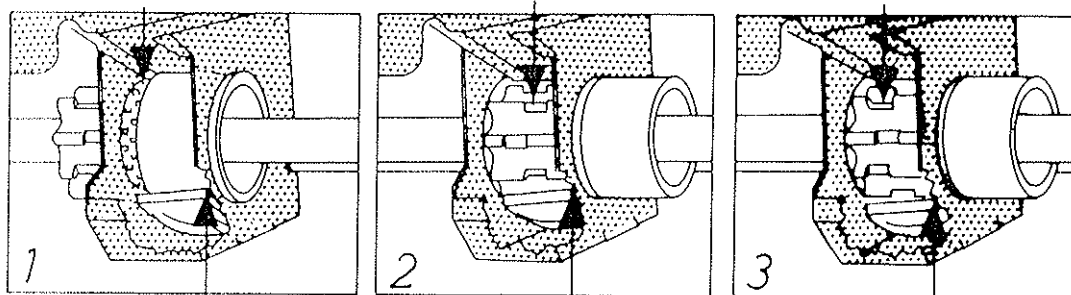
DOSSAGER MECHANISM

The dossager SOLA type "one-two" works only with two constant passages:

- First: Narrow passage small spurs for fine grains (figure 1.)
- Second: Wide passage toothed, for normal and big grains (figures 2,3)

NARROW PASSAGE

WIDE PASSAGE



SMALL APERTURE

MEDIUM APERTURE

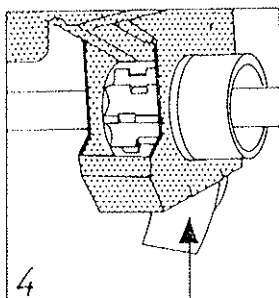
BIG APERTURE

The movable bottom cumply two objects:

- First: modify the inferior aperture of the peephole according to size of grain (figures 1,2,3)
- Second: To empty the grains from hopper in the tray, opening totally peepholes.

Once the passage of dosagers is decided (narrow or wide), and the aperture of the movable bottom adjusted (according to size of grain) the caudal of seeds depends of speed of rotatory of dosager rollers.

THE SPEED VARIATOR carry out this function.

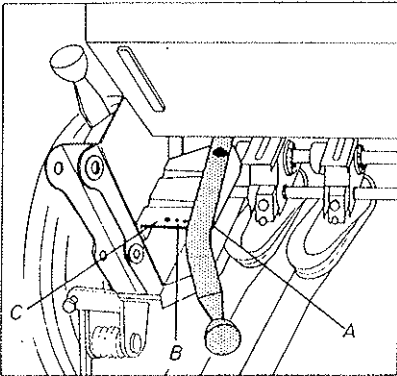


APERTURE OF EMPTY

MANAGEMENT DOSAGE

Verify that all the dosagers are opened, as will as choppers do not close the pass of seed.

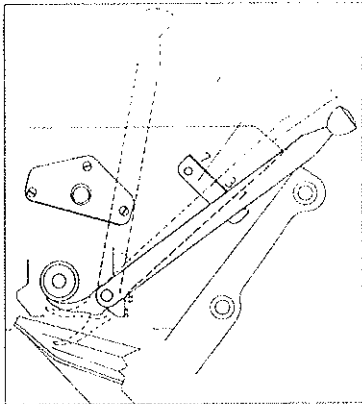
Connect the shaker shaft to the variator sleeve, checking previously that there's no object in the hopper.



Set the position lever of the dosagers:

A right, wide pass

B left, narrow pass



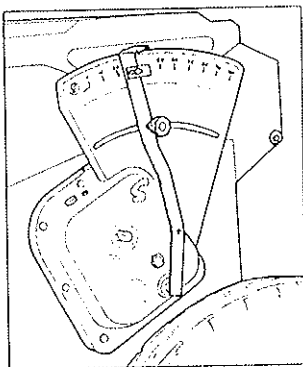
Set the movil bottom lever(at right of hopper)on asector of 7 position.

Nr. 1, for small seed

Nr. 2 or 3, for wheat and barley

Nr. 4,5,6 for big seed.

To empty the hopper move the lever totally forward far away from nr.7



Release the variator knob, move the arrow-arm over the numerated lever from 0 to 100 and fix again on the number that would selected previously.

NOZZLES OF QUICK ANCHOR

In TRI-294. machines the nozzles are of quick anchor.

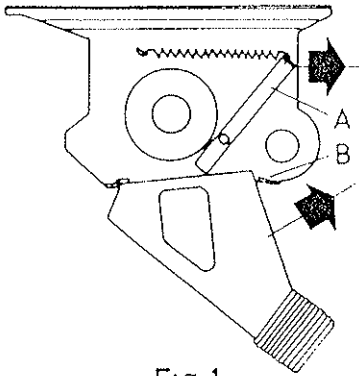


Fig.1

TO REMOVE: Fig 1
Move the A lever liberating the nozzles and pull from it upwards (over the B top) and backwards.

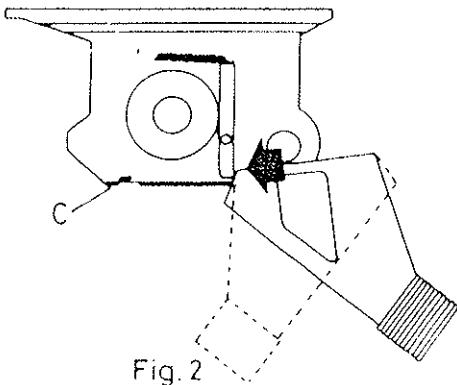


Fig.2

TO SET: Fig 2
With the same nozzle push the A lever to the arrow direction inserting it totally in the groove C.
Once the nozzle released will be prisioned between A,B & C (fig.3).
Remind that the NOZZLES OF THE MEDIUM OR CENTRAL line be set in INVERTED POSITION (points line) without variating the assembly system.

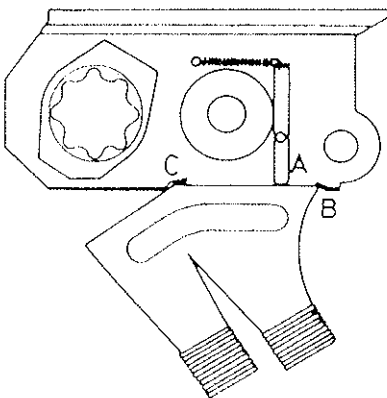


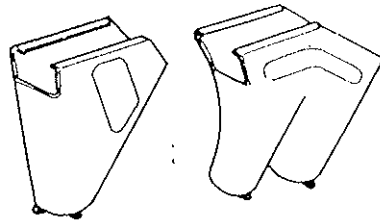
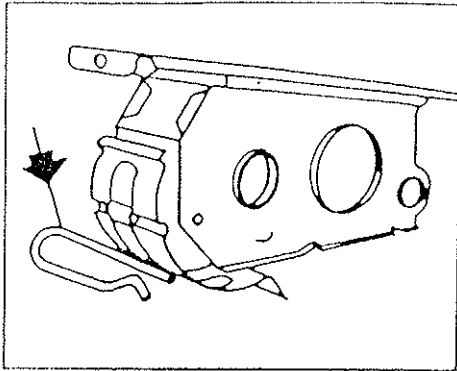
Fig. 3

The fastening system is the same as if dosagers are of Seeder as well as Combined.

COMBINED DISTRIBUTION

The TRICOMBI dosagers, are of double body, with stainless steel chassis and movil parts in Delrin.

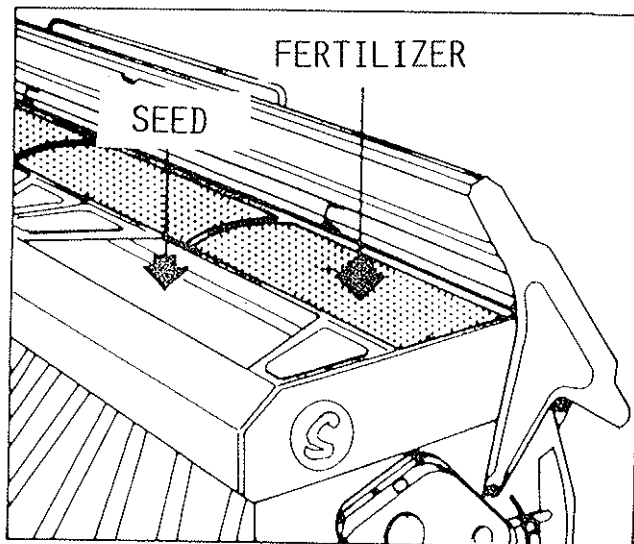
The movil bottom of the fertilizer is consisted by a cap also of stainless steel, dismantel by a clip, to make easier its quick clean.



COMBINED FOR DOUBLE HOPPERS

The TRICOMBI hopper is divided in two parts, the back one for seed and the front one for fertilizer. This, also, is provided by a perforated sheet to sieve the stones or patches that could hurt the dosager's mechanism.

Each part dispose separated controls to regular the dosage of Seed and fertilizer.



PREVIOUS CONTROL OF SEED

For a precision sowing is convenient make previously one or various dossification tests.

- 1.- Disconnect the nozzles.
- 2.- Choose a position of the variator, setting the lever in the selected point.
- 3.- Rotate the tire, in the sense of march, FROM THE VARIATOR SIDE, till the seed starts falling. This seed is devolved to the hopper and starts spinning the real rounds of the test according to this chart:

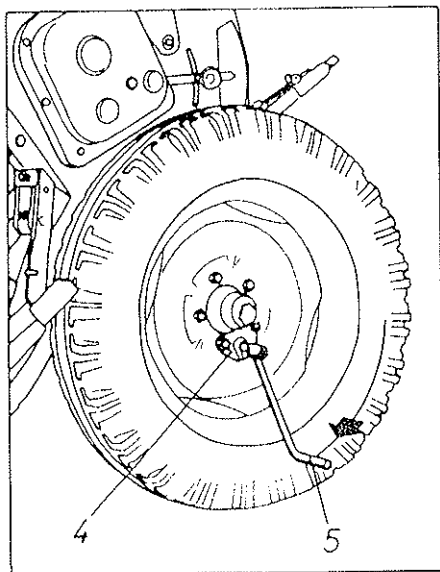
TRI- type 250 = 44 rounds
" 300 = 36,50 rounds

(Calculated for Seeders with 6.00-16 wheels)

The weight of the collected seed multiplied by 40, will be the KGS. PER HECTARE that the machine will distribute with the aperture that previously has been selected.

To effect handy those operations is useful that the machine had been coupled to the tractor, in a some elevated position (the tires must not touch the soil). We also recommend fill the hopper to the half with seed to facilitate the manual turn of the tire.

If the seed presents excess of treatment dust It may produce a disminution of the caudal, so that's because is convenient to practise a second control after having distributed about three hoppers.



COMBINED DOSAGE

In the TRICOMBI Seeder-Combined, the dosage and control of seed is exactly the same as TRISEM

The FERTILIZER dosage is effected with the VARIATOR situated at the right side of the machine, situating the lever in the number that previously would have been selected according with the dosage table.

This table is indicative because the fertilizer density can variate depending of the preparation form of each manufacturer.

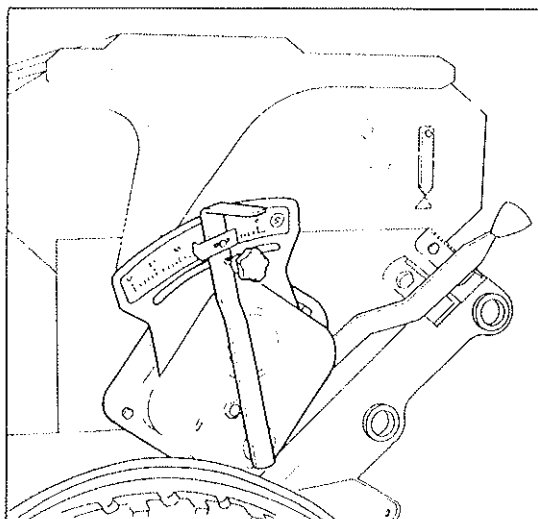
So that we recommend affect also a test with the fertilizer to use.

Rotatory of the tire are the same as to Seed VARIATOR:

TRI- type 250 = 44 rounds
" 300 = 36,50 rounds

(Calculated for Seeders with 6.00-16 wheels)

The weight of the collected fertilizer multiply by 40, will be the KGS. PER HECTARE that will distribute the machine with aperture selected previously

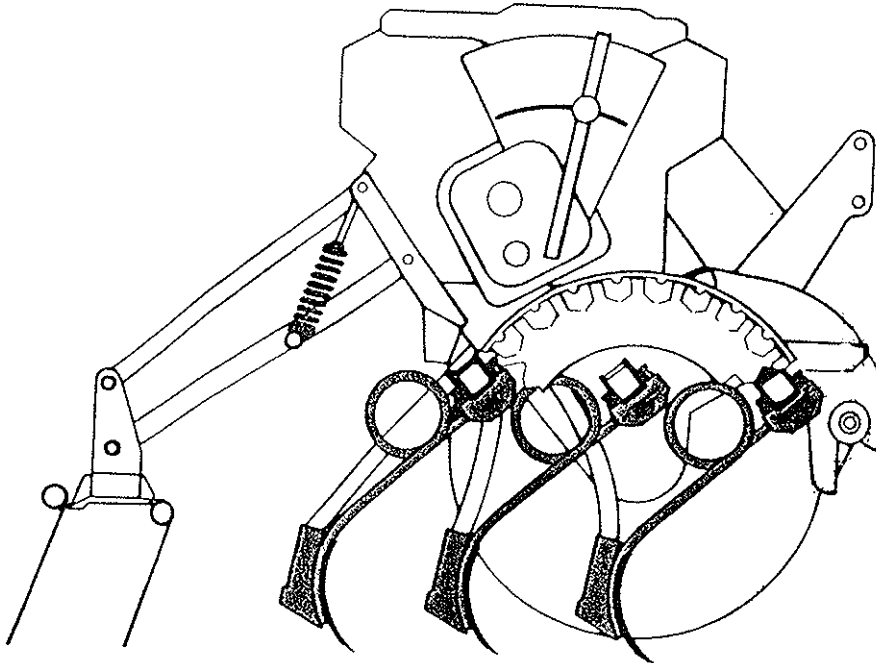


LEVELLING AND DEPTH CONTROL

Generally depth for all arms regulates by means of central shaft. Previously been indicated how to regulate the arms individually.

The machine, seeding, must be left with the hopper trowil, making coincide the oscillatory arrow with its groove, shorten or lengthen the third point of the hidraulic elevator of the tractor.

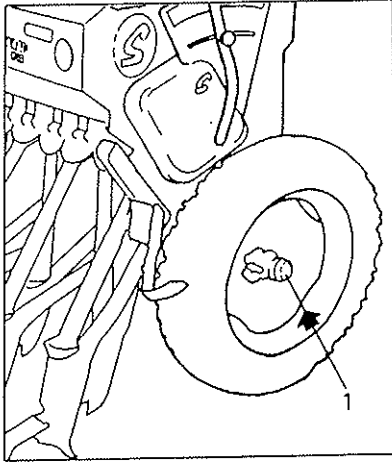
TRI - 294



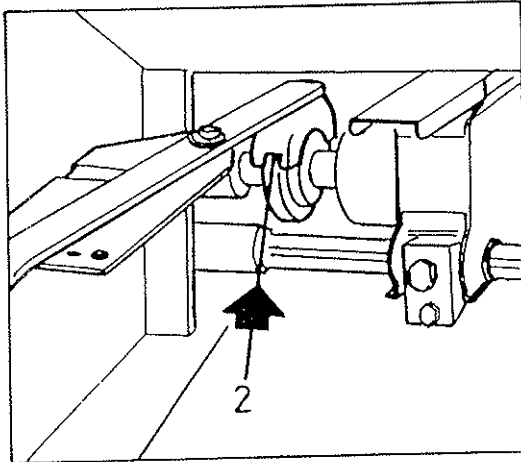
SPRING HARROW

See in the attached picture the correct assembly of harrows. By working over the upper nuts of the two arm springs, might increase or decrease the work pressure

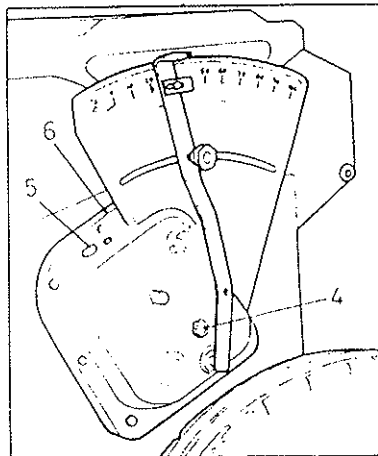
GREASING



- 1 Bushing of tires un-
crewing the cap: con-
sistent grease, calcium.



- 2 Rolling pin in position
narrow-wide.



Check VARIATOR level
through the peephole (4)
and if its necessary com-
plete it with oil
SAE-30 through the
cap (5).

Grease chain of tires
to variator by means
of engraser (6)

DO NOT GREASE THE DOSAGERS.

TIRES PRESSURE

Pressure we indicate are the ones provided by the manufacturer.

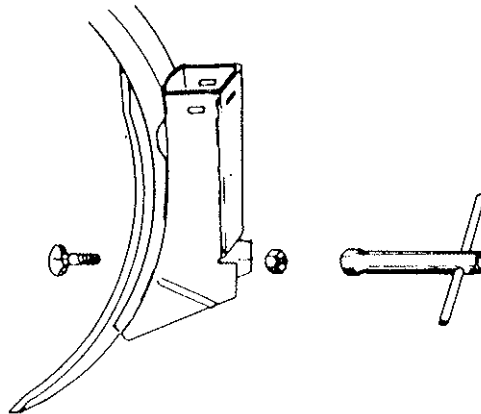
Generally for soils in bad condition we recommend to reduce the pressure to absorb the soil irregularities and obtain more regularity Seeding.

Tyres sizes 6.00-16 = Pressure 3,75 kgs/cm².

SCREWER

After a couple hours of working, the screws must be checked and tightened, specially the fixing ones of the digger shares to the elastic arms.

For said screws deliver special key, of tube, placed inside the hopper.



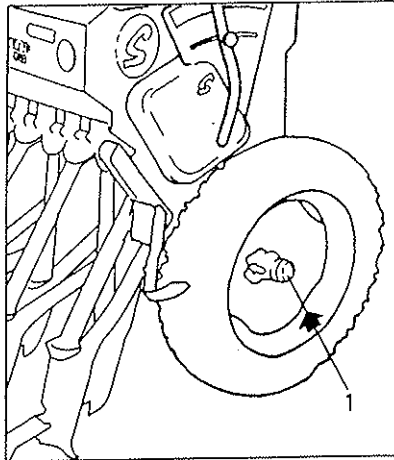
REVISION OF THE COMBINED

Once finished the Seeding season the whole machine must be checked.

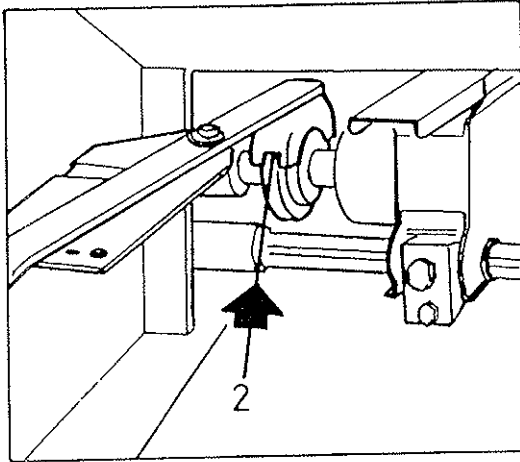
So that, we recommend:

- A. Dismantel the flexible tubes, nozzles and the distributor caps and clean them thoroughly.
- B. Clean the whole machine by jet propelled water, specially in the hopper and double distributors that, without caps, are perfectly accesible.
Move the tires in way that turn the grooved rollers by this, water arrive to every place.
- C. Revise with paint those parts that presents any oxidation sign, remarkably the sheet.
- D. Check the general grease. Grease with gas-oil the washer stainless steel.

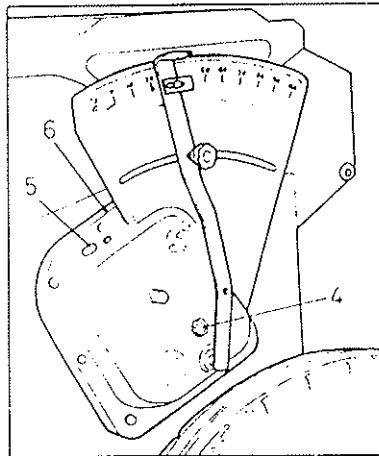
GREASING



- 1 Bushing of tires unscrewing the cap: consistent grease, calcium.



- 2 Rolling pin in position narrow-wide.



Check VARIATOR level through the peephole (4) and if its necessary com complete it with oil SAE-30 through the cap (5).

Grease chain of tires to variator by means of engraser (6)

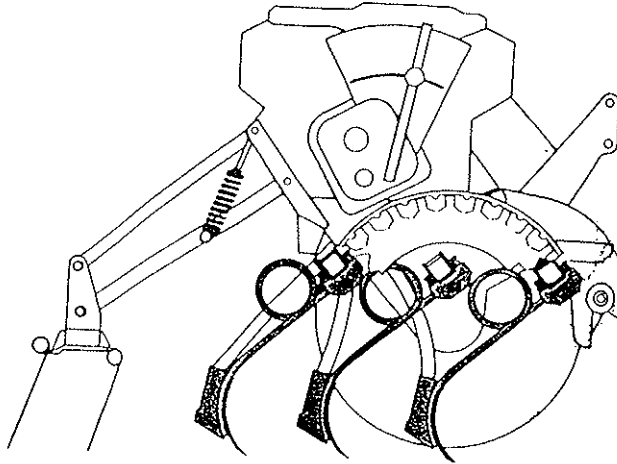
DO NOT GREASE THE DOSAGERS.

TABLES

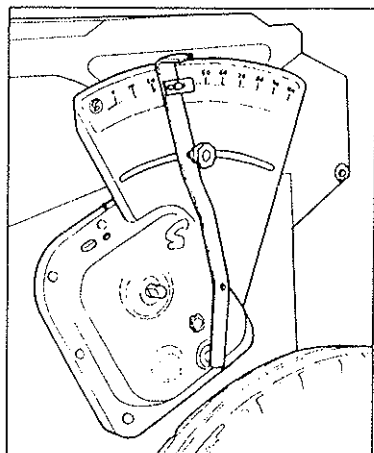
Quantities indicated in the TABLES must be considered as approximation, because the caudal may change due to the eventual presence of desinfectant dust. This change affects size, density and humidity, etc.

GENERAL NORM

- The small grain require less aperture than the big.
- The round grain require less aperture than the long.
- The light grain require more aperture than the heavy.

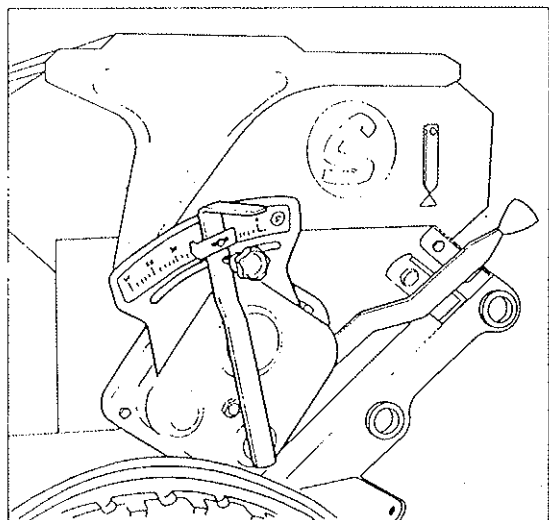


TABLES SEED DOSAGES
KGS. PER 1 HECTARE



Sector No.	wheat	Barley
Dosages in steps	width	width
14		
16		
18		
20	66	52
22	75	58
24	83	64
26	90	71
28	98	77
30	104	84
32	111	90
34	118	97
36	125	104
38	132	110
40	140	117
45	157	132
50	173	146
55	190	161
60	207	176
65	224	190
70	242	204
75	259	219
80	277	232
85	291	246
90	307	259
95	323	273
100	341	287
Lever of movil bottom	2 or 3	2 or 3
Operating weight of 1000 grains	40 gms.	46 gms.

TRICOMBI



Fertilizer
dosage

In Kgs. per Hectare

Sector No.	Kgs. Fertilizer
0	—
2	20
5	51
7	76
10	109
12	141
15	175
17	209
20	245
22	279
25	317
27	350
30	390
32	418
35	458
37	485
40	524
42	545
45	583
47	589
50	627

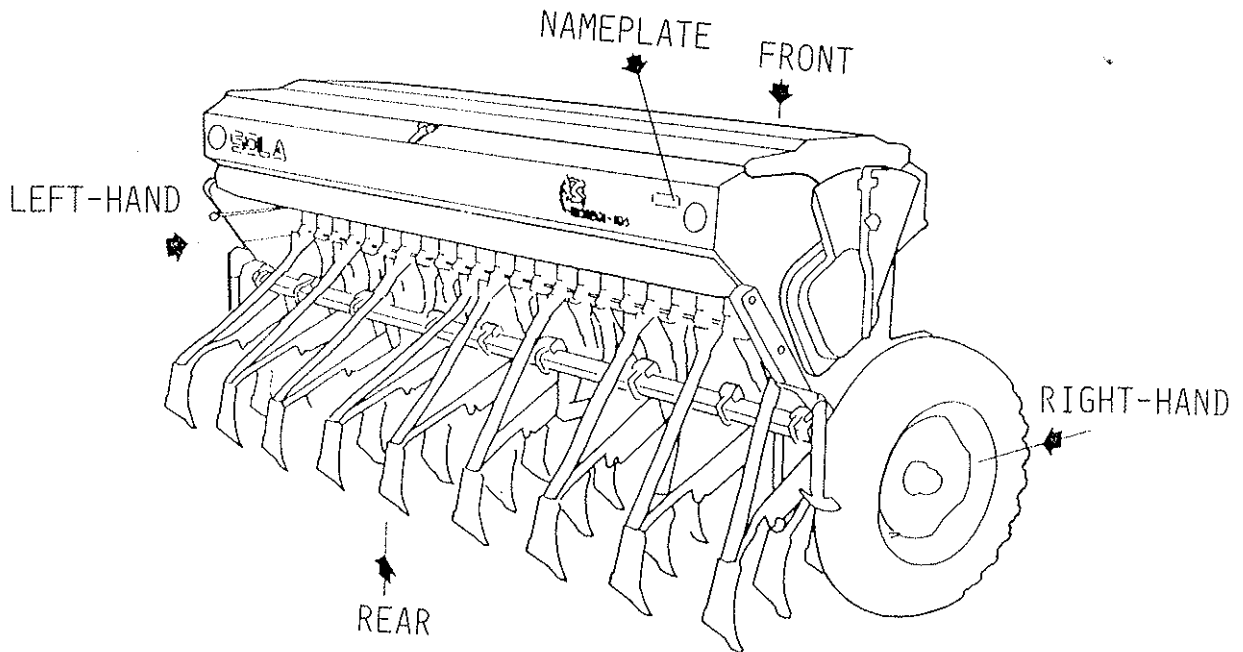
The Combined only admits granulated fertilizers. It's useful to use complex of high concentration, as in contrary the hopper capacity for fertilizer would remain out of phase with the Seed hopper

SPARE PARTS

Descriptions RIGHT-HAND, LEFT-HAND, FRONT, REAR, are related to the machines when running, as show in the drawing.

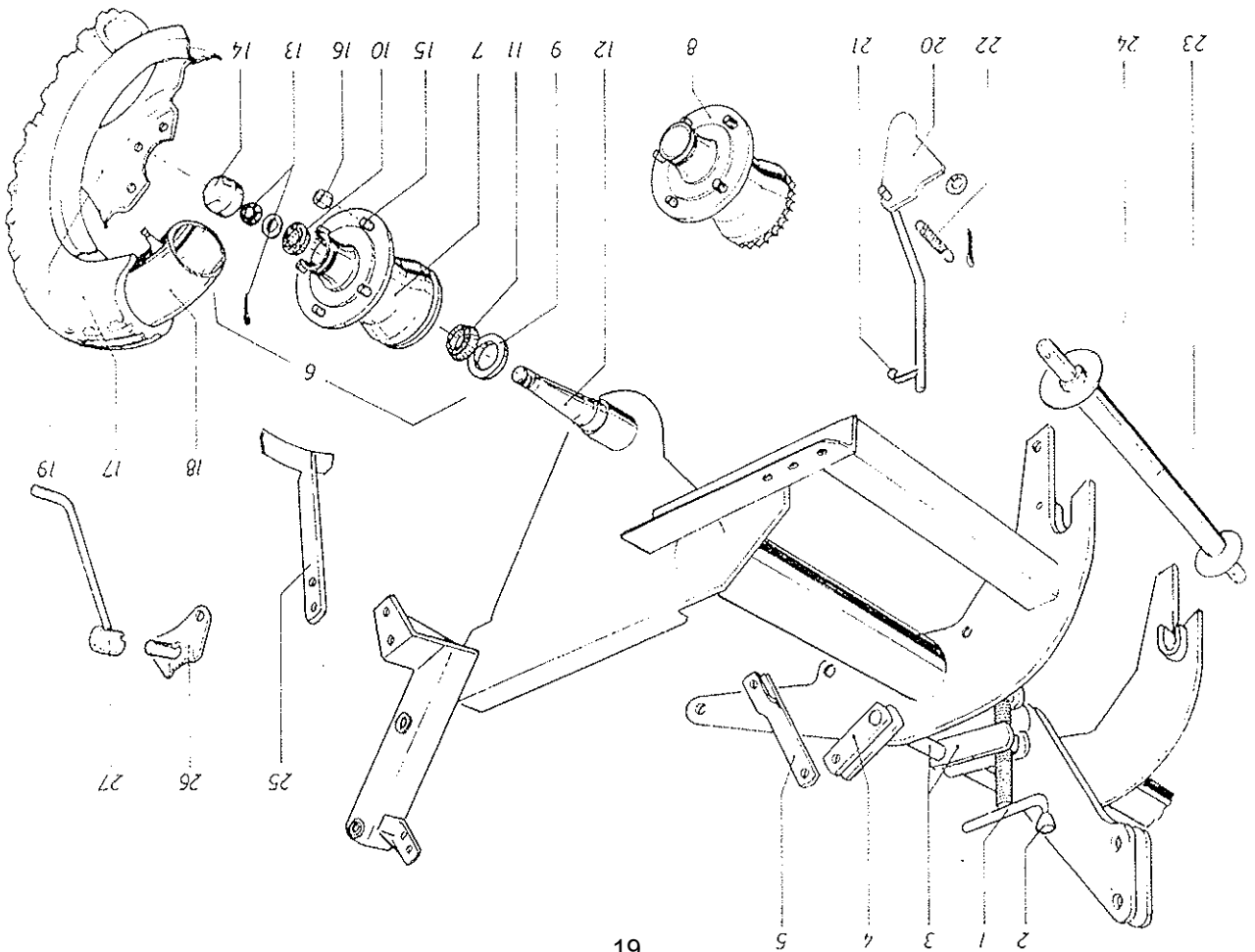
In the drawings, different hand parts are not repeated. Read at the breakdown drawing the reference numbers witch differentiate them.

When ordering spare parts, please specify machine number and type as shown in the hopper NAMEPLATE.



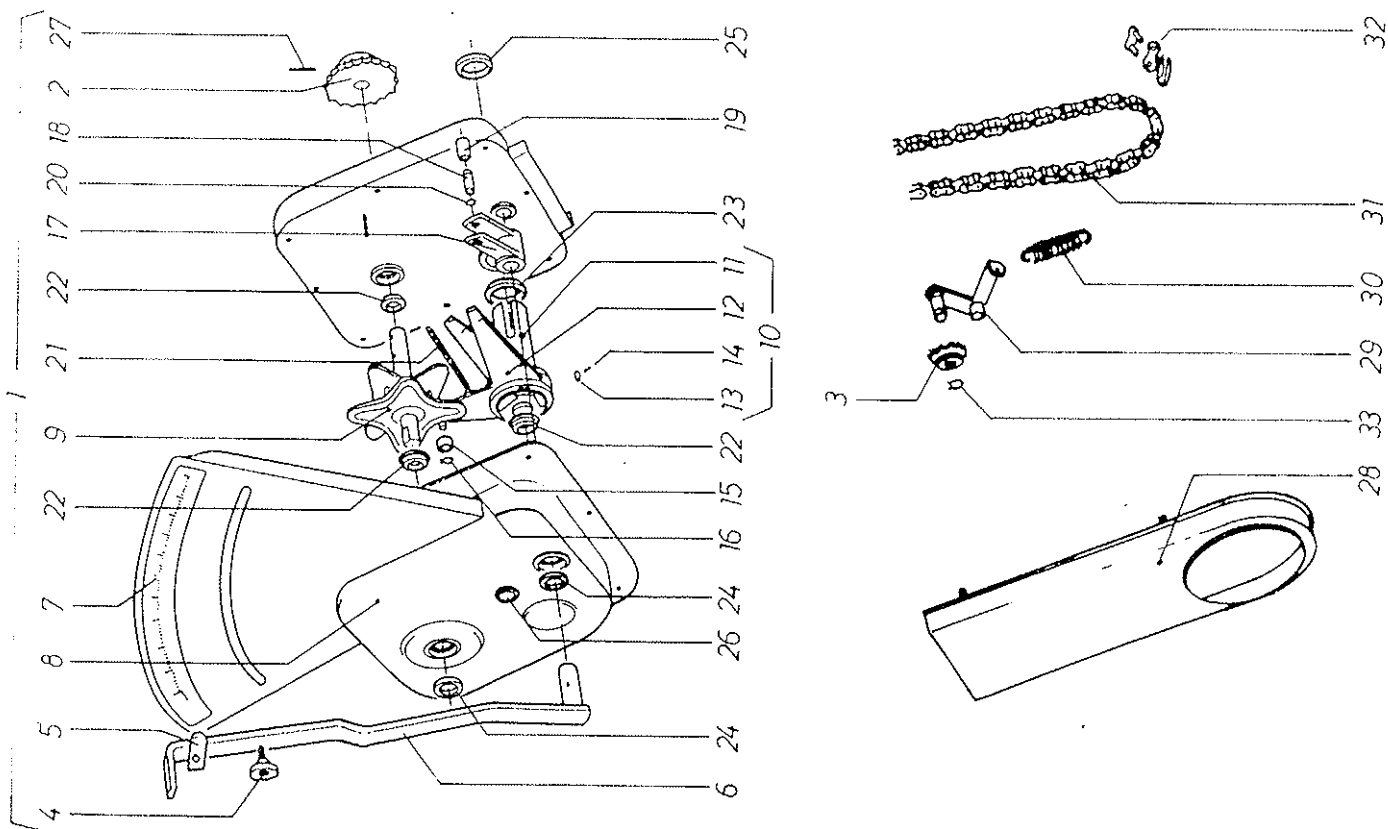
CHASSIS

Figura	Código	Denominación	Referencia
1	10121	Husillo control profundidad completo con empuñadura	S-511
2	10236	Empuñadura de plástico, suelta	S-630
3	10868	Eje control profundidad, completo	S-1646
4	10869	Excéntrica suelta del eje control	S-1647
5	10870	Bleia con puente conexión barras	S-1648
6	10176	Conjunto completo buje liso	S-541
6	10178	Conjunto completo buje Z-29	S-542
7	10177	Buje suelto, liso	S-541/A
8	10179	Buje suelto, Z-29	S-542/A
9	10156	Retén del buje	S-531/68
10	50450	Rodamiento 30205	S-531/6CE
11	50451	Rodamiento 30207	S-531/6D
12	10157	Eje suelto, acero aleado	S-531/6F
13	10159	Tuerca, arandela y pasador	S-531/6FP
14	10160	Tapacubos roscado	S-531/6G
14	10162	Tapacubos a presión	S-531/6H
15	10163	Espárrago suelto	
16	10164	Tuerca cónica del espárrago	
17	50500	Cubierta neumática 6.00-16.6 PR	
17	50503	Cubierta neumática 10.80-12.8 PR	
18	50551	Cámara para 6.00-16	
18	50554	Cámara para 10.80-12	
19	50601	Rueda metálica para cubierta 16"	
19	50605	Rueda metálica para cubierta 12"	
20	10871	Excéntrica del enganche rápido, Derecha	S-1649/D
20	10872	Excéntrica del enganche rápido, Izquierda	S-1649/I
21	10227	Clip sujeción palanca enganche	M-622
22	10029	Muelle retorno excéntrica enganche	M-36
23	10228	Barra enganche, con conos	S-623
24	10229	Cono suelto de la barra enganche, para soldar	S-623/A
25	10873	Rascador para rueda 6.00-16, Derecha	S-1650/D
25	10874	Rascador para rueda 6.00-16, Izquierda	S-1650/I
25	10875	Rascador para rueda 10.80-12, Derecha	S-1651/D
25	10876	Rascador para rueda 10.80-12, Izquierda	S-1651/I
26	10507	Amorre de rueda para giro manivela	S-1085
27	10469	Manivela de giro (husillos y rueda)	S-1020



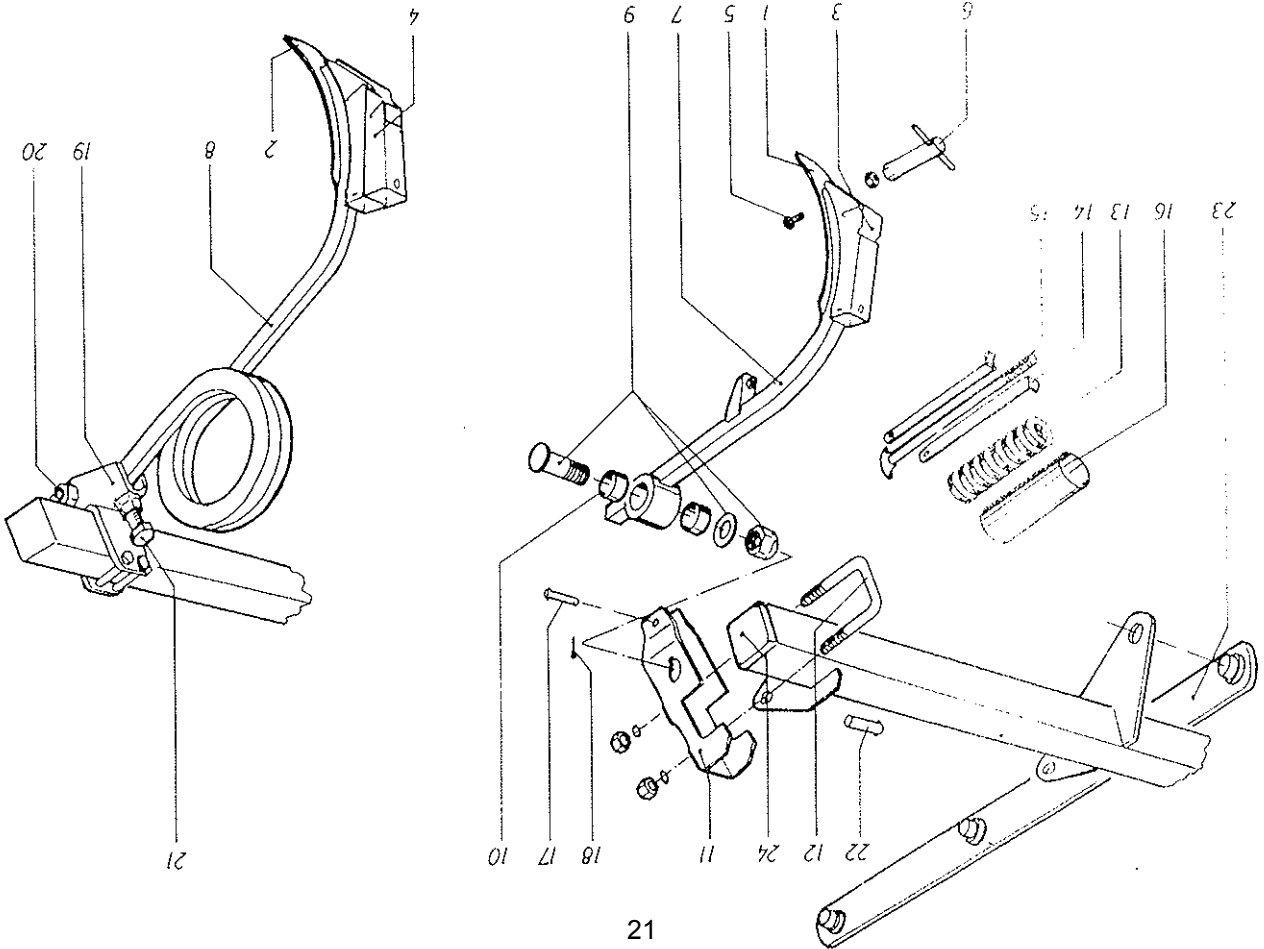
SPEED SEED VARIATOR

Figura	Código	Denominación	Referencia
1	10843	Variador SV-04 Semilla (S-92.4)	S-1600/92
2	10600	Piñón de 22 Z para cadena rodillos de 1/2"	S-1250
3	10602	Piñón tensor cadena	S-1252
4	10606	Valante con espárragos M 10-izqda.	S-1260/I
5	10604	Índice palanca variador	S-1258
6	10603	Palanca variador	S-1257
7	10737	Adhesivo graduador semilla	S-1471
8	10775	Tapa caja variador	S-1510
9	10776	Estrella 4 puntas con eje largo	S-1511
10	10777	Conjunto eje-levas de giro libre	S-1512
11	10778	Eje de giro libre suelto, semilla	S-1513/A
12	10779	Leva de arrastre, semilla, derecha	S-1514/D
12	10780	Leva de arrastre, semilla, izquierda	S-1514/I
13	10781	Rodillo Ø 12 x 18	S-1515
14	10782	Tefón con muelle posicionador rodillo	S-1516
15	10783	Anillo tope levas, acetal (Ø 20)	S-1517
16	50700	Anillo Saeger DIN 471 Ø 8	—
17	10784	Horquilla soldada tope levas	S-1518
18	10785	Bulón tope levas	S-1519
19	10786	Tubo tope levas, acetal	S-1520
20	50705	Anillo Saeger DIN 471 Ø 12	—
21	10787	Muelle retorno levas	M-1521
22	10596	Casquillo acetal Ø 20/25/10	S-1222
23	10599	Casquillo Polynil Ø 30/35/10	S-1226
24	50400	Retén Ø 20/28/6	—
25	50403	Retén Ø 30/40/7	—
26	10591	Mirilla nivel aceite 1/2" GAS	S-1216
27	50652	Pasador elástico DIN 1481 Ø 6 x 30	—
28	10612	Tapocadenas semilla con espárragos	S-1282
29	10608	Tensor para cadena semilla (sin piñón)	S-1270
30	10028	Muelle tensor	M-35
31	10611	cadena variador 1/2" x 1511, semilla	S-1280
32	50850	Unión cadena (ver material comercial)	—
33	50701	Anillo Saeger DIN 471 Ø 16	—



WORKING TRAIN WITH COULTERS

Figura	Código	Denominación	Referencia
1	10006	Pejita 45x8 sembradora	S-3/45
2	10007	Rejillo 57x7 combinado	S-3/A
3	10009	Bota cubresemillas sembradoro	S-4/A
4	10877	Bota cubresemillas combinada	C-1652
5	50002	Tornillo arado de 9-40	
6	10032	Llave boca exagonal	S-43
7	10888	Brazo liso recto, soldado	S-1653
7	10889	Brazo liso desplazado derecha, soldado	S-1654/D
7	10890	Brazo liso desplazado izqda., soldado	S-1654/I
8	10891	Brazo elástico recto derecha	S-1655/D
8	10892	Brazo elástico recto izquierdo	S-1655/I
8	10893	Brazo elástico desplazado derecha	S-1656/D
8	10894	Brazo elástico desplazado izquierda	S-1656/I
9	10895	Tornillo especial M20 c./tuercas y arandela	S-1657
10	10896	Casquillo para articulación brazo	S-1658
11	10897	Soporte del brazo liso	S-1659
12	10898	Brida sujeción soporte	S-1660
13	10899	Muelle abierto del herraje Ø 8,5x180	M-1661
14	10900	Mediacaña del herraje	S-1662
15	10901	Tensor del herraje M14	S-1663
16	10902	Tubo protector muelle	S-1664
17	10903	Bulón Ø 10 del herraje	S-1665
18	50350	Posador aletas DIN 94 Ø 3,5x30	
19	10904	Soporte brazo elástico	S-1666
20	50027	Tornillo del soporte M 16 x 45	
21	50117	Tornillo presión M 12/50 8 8	S-1667
22	10482	Bulón articulación Ø 16 x 54	S-1668
23	10905	Braza unión barras	
24	10906	Tapalateral barra frasero	



SPEED FERTILIZER VARIATOR

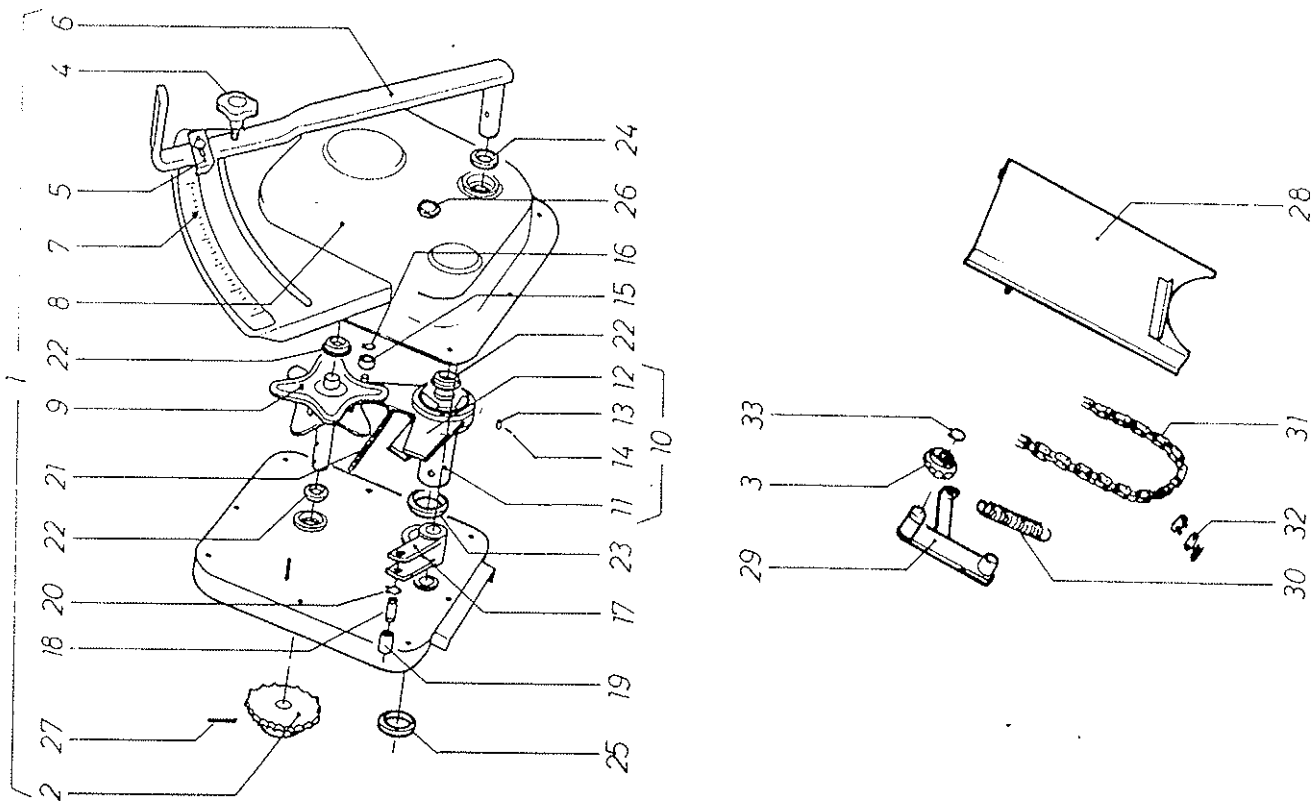
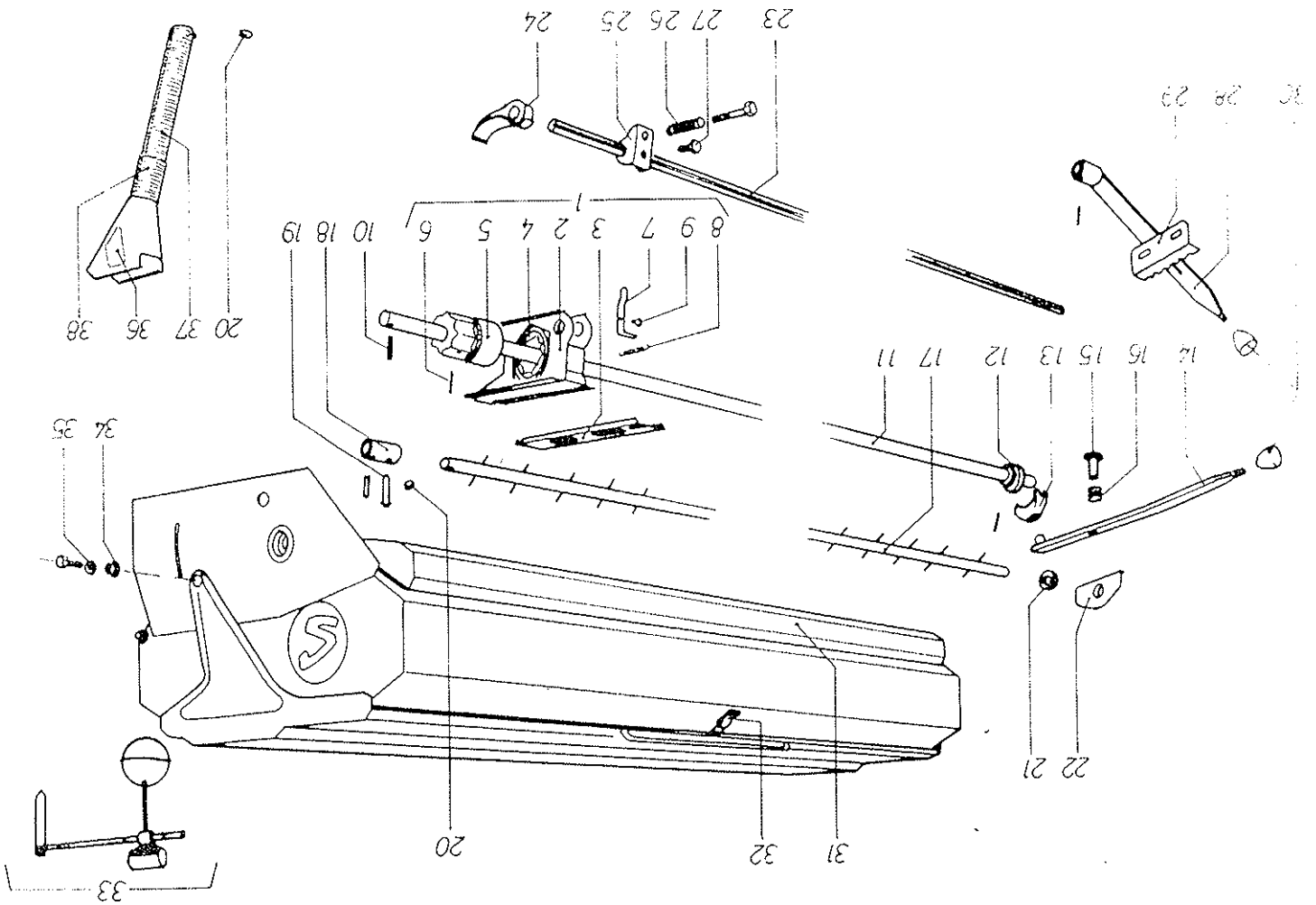


Figura	Código	Denominación	Referencia
1	10844	Variador SV-05 Abono (A-92-4)	C-1600/92
2	10601	Pinón Z para cadena, abono	S-1250/A
3	10602	Pinón tensor cadena	S-1252
4	10636	Volante con espárrago M 10 izquierda	S-1260/I
5	10604	Indice palanca variador	S-1258
6	10788	Palanca variador abono	C-1522
7	10770	Adhesivo graduador abono	S-1501
8	10789	Tapa caja variador	S-1523
9	10790	Estrella 4 puntas con eje corto	S-1524
10	10791	Conjunto eje levas de giro libre	C-1525
11	10792	Eje de giro libre, suelto, abono	C-1526/A
12	10793	Leva de arrastre, derecha, abono	C-1527/D
12	10794	Leva de arrastre, izquierda, abono	C-1527/I
13	10781	Rodillo Ø 12 x 18	S-1515
14	10782	Tefón con muelle posicionador rodillo	S-1516
15	10783	Anillo tope levas, acetal (Ø 20)	S-1517
16	50700	Anillo DIN 471 Ø 8	—
17	10774	Horquilla soldada tope levas, abono	C-1509
18	10785	Bulón tope levas	S-1519
19	10786	Tubo tope levas	S-1520
20	50705	Anillo DIN 471 Ø 12	—
21	10786	Muelle retorno levas	M-1521
22	10596	Casquillo acetal Ø 20 / 25 / 10	S-1222
23	10599	Casquillo polynil Ø 30 / 35 / 10	S-1226
24	50400	Retén Ø 20 / 28 / 6	—
25	50403	Retén Ø 30 / 40 / 7	—
26	10591	Mirilla nivel aceite 1/2" Gas	S-1216
27	50652	Pasador elástico DIN 1481 Ø 6 x 30	—
28	10772	Tapocadenas abono con espárragos	S-1505
29	10771	Tensor para cadena abono (sin piñón)	S-1502
30	10028	Muelle tensor	M-35
31	10773	Cadena variador de 1/2" x 1422 mm.	S-150*
32	50850	Unión cadena (ver material comercial)	—
33	50701	Anillo DIN 471 Ø 16	—

SEED HOPPER AND DISTRIBUTORS

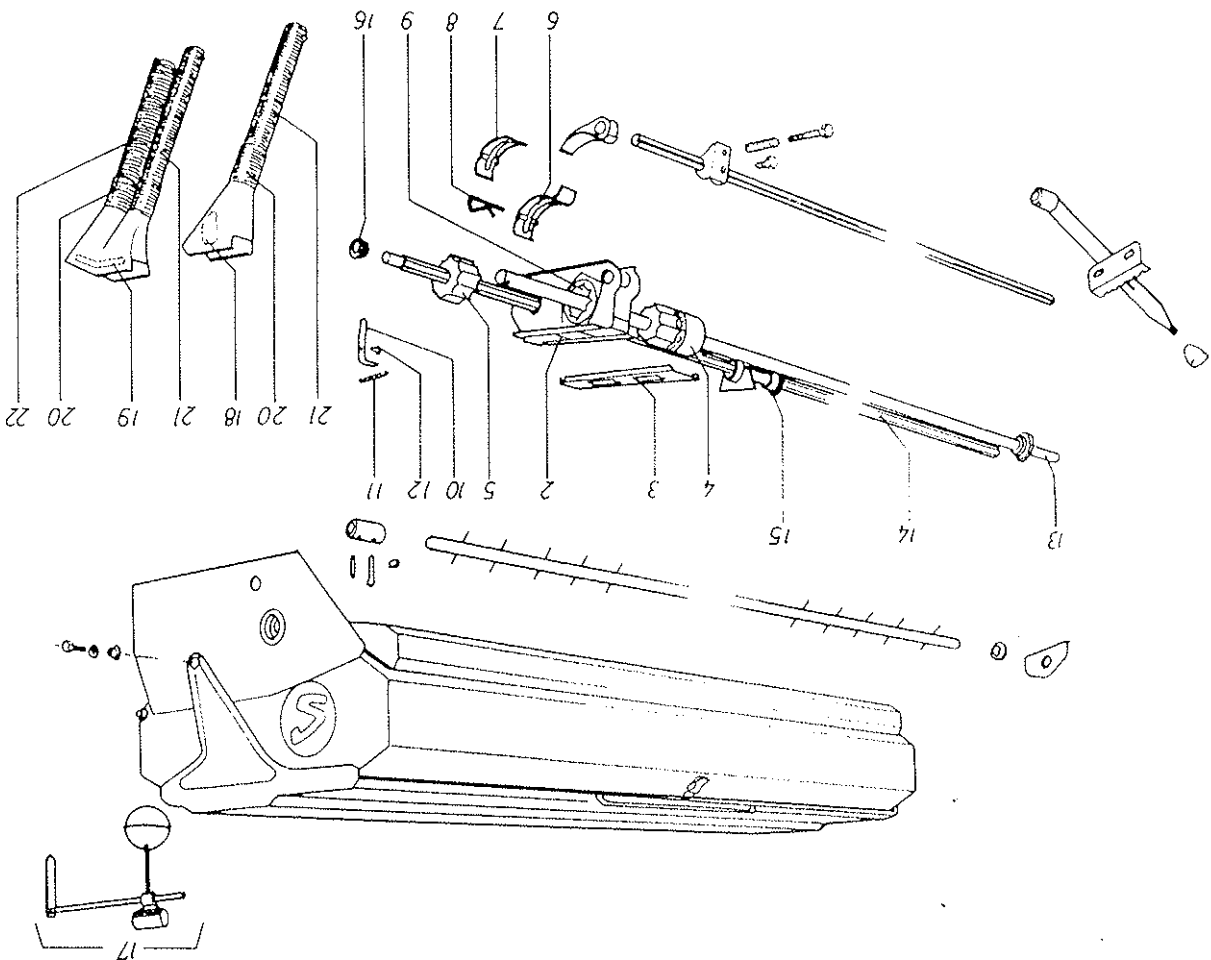
Figura	Código	Denominación	Referencia
1	10614	Dosificador completo de sembradora	S-1300
2	10615	Chasis estampado	S-1301
3	10616	Tapeta corredera, cincada	S-1302
4	10300	Arandela esfrida estampada	S-840
5	10617	Rodillo dosificador, dos pasos	S-1305
6	50651	Pasador Ø 5 x 30, elástico	S-1332
7	10635	Garfio amarrar boquilla	M-1333
8	10637	Muelle del gatillo amarre boquilla	S-1334
9	10638	Remache-eje del gatillo amarre boquilla	E-970/250
10	50653	Pasador macizo para arrastre de Ø 7 x 30	E-970/300
11	10406	Eje dosificador semilla máquina 250	E-970/350
11	10407	Eje dosificador semilla máquina 300	E-970/400
11	10408	Eje dosificador semilla máquina 350	S-211
11	10409	Eje dosificador semilla máquina 400	S-240/C
12	10047	Rulino de arrastre para Ø 20	S-424
13	10052	Encaje de la rulina	S-424/A
14	10069	Palanca "uno-dos", dosificadores	M-422
15	10070	Bujón de la palanca	E-870/250
16	10068	Muelle del bujón palanca dosificadores	E-870/300
17	10319	Eje agitador máquina 250	E-870/350
17	10320	Eje agitador máquina 300	E-870/400
17	10321	Eje agitador máquina 350	S-1308
17	10322	Eje agitador máquina 400	S-1309
18	10618	Tubo unión eje agitador	S-420/C
19	10619	Bujón de arrastre eje agitador	S-1310
20	10067	Llavero para sujeción bujón arrastre	S-1312
21	10620	Casquillo acetal Ø 20/25 - 10	E-670/250
22	10621	Tapa soporte eje agitador	E-670/300
23	10241	Eje ranurado fondo móvil máquina 250	E-670/350
23	10242	Eje ranurado fondo móvil máquina 300	E-670/400
23	10243	Eje ranurado fondo móvil máquina 350	S-1315
23	10244	Eje ranurado fondo móvil máquina 400	S-1316
24	10622	Tapeta fondo móvil	M-1317
25	10623	Brida de la tapeta fondo móvil	S-1318
26	10625	Muelle de la tapeta fondo móvil	S-1320
27	10627	Tornillo sujeción brida, con punta especial M 8-20	S-1322
28	10629	Palanca fondo móvil	S-630
29	10630	Graduador palanca fondo móvil	S-1088/
30	10236	Empuñadura de la palanca	S-514/N
31	10508	Bandeja de vaciado talva (indicar modelo y tipo)	S-721
32	10130	Conjunto cierre tapa, cincado	S-1120
33	10261	Conjunto completo indicador nivel grano	S-1120/A
34	10534	Bujón articulación de la tapa	S-1330
35	10535	Arandela cincada Ø 30 con agujero Ø 8.5	MF-430
36	10634	Boquilla del tubo flexible, bicromatada	MF-430
37	10073	Muelle-tubo flexible, delantero, 430 mm	MF-430
37	10073	Muelle-tubo flexible, central, 430 mm	MF-500
37	10067	Muelle-tubo flexible, trasero, 500 mm	S-710/B
38	10257	Manguito refuerzo del tubo flexible	



SEED/FERTILIZER HOPPER AND DISTRIBUTORS

Figura	Código	Denominación	Referencia
1	10803	Dosificador completo de combinado	C-1550
2	10804	Chasis estampado inox.	C-1551
3	10645	Tapeta corredera inox.	C-1352
4	10617	Rodillo dosificador dos pasos	S-1305
5	10805	Rodillo dosificador abono	C-1552
6	10631	Tapeta abono, pestaña larga	C-1324
7	10632	Tapeta abono, pestaña corta	C-1325
8	10633	Clip R de la tapeta abono	C-1326
9	10301	Arandela estrada inox.	S-840/1
10	10635	Gatillo amarre boquilla inox.	S-1332
11	10637	Muelle del gatillo	M-1333
12	10638	Remache-eje del gatillo	S-1334
13	10406	Eje dosificador semilla máquina 250	E-970/250
13	10407	Eje dosificador semilla máquina 300	E-970/300
13	10808	Eje dosificador semilla máquina 350	E-970/350
14	10806	Eje exagonal para abono máquina 250	E-1555/250
14	10807	Eje exagonal para abono máquina 300	E-1555/300
14	10808	Eje exagonal para abono máquina 350	E-1555/350
15	10809	Casquillo acetal para exagonal	C-1558
16	10810	Casquillo acetal Ø 18 / 25 / 10	C-1560
17	10259	Conjunto nivel boyo	C-720
18	10639	Boquilla 1 tubo inox.	C-1340
19	10640	Boquilla doble tubo, inox (línea trasera)	C-1341
19	10641	Boquilla doble tubo inox intermedia y delan	C-1342
20	10258	Manguito flexible ancho, plastificado	C-710/P
21	10068	Tubo plastificado semilla-abono detrás, 1 oreja	MC-500/1
21	10074	Tubo plastificado semilla-abono centro, 1 oreja	MC-430/1
21	10074	Tubo plastificado semilla-abono delante, 1 oreja	MC-430/1
22	10089	Tubo plastificado abono detrás, 2 orejas	MC-500/2
22	10075	Tubo plastificado abono centro, 2 orejas	MC-430/2
22	10075	Tubo plastificado abono delante, 2 orejas	MC-430/2

NOTA: Las referencias de aquellas piezas que son comunes con la TOLVA DE SEMBRADORA, están descritas en la página anterior



SPRING HARROW

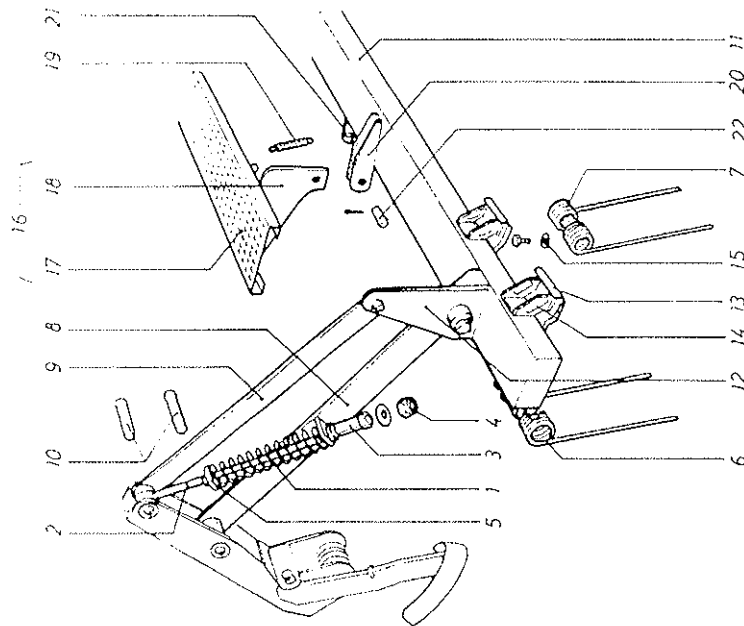


Figura	Código	Denominación	Referencia
1	10036	Muelle presión brazo 200/51/8	M-50
2	10588	Varilla tensora del muelle	S-1162
3	10599	Tope de la varilla	S-1163
4	50254	Tuerca autolocante M-16	-
5	10038	Tapeta del muelle, cincada	S-50/B
6	10713	Muelle torsión de doble púa, delante	M-1440/D
7	10714	Muelle torsión de doble púa, detrás	M-1440/T
8	10561	Brazo acero 50/12 c/ bulón y anillo soldado	S-1164/N
9	10563	Brazo tensor recto c/ bulón y anillo soldado	S-1165/N
10	10549	Bulón cincado Ø 20 x 91 mm	S-1154
11	10567	Barra para púas (indicar modelo y tipo)	S-1180/N
12	10571	SopORTE soldable de la barra con anillo	S-1186
13	10795	Pletina sujeción púas, soldada a la barra	S-1530
14	10796	U especial refuerzo pletina-soldable	S-1531
15	10305	Arandela especial para tornillo Ø 14	S-848
16	10833	Peidafío rasira 1 m. con 2 soportes	S-1590
17	10835	Peidafío rasira, 1,5 m., con 3 soportes	S-1591
18	10834	Chapa peidafío suelta, 1 m	S-1590/A
19	10836	Chapa peidafío suelta, 1,5 m	S-1591/A
20	10837	Pletina soporte, soldable a la chapa	S-1592
21	10838	Muelle con ganchos, del peidafío	M-1593
22	10839	Pletina articulación, soldable-50/5	S-1595
23	10840	Pletina amarre muelle, soldable - 20/6	S-1596
24	10841	Bulón articulación, Ø 16-40 cincado	S-1597



MAQUINARIA AGRICOLA
SOLA, S.L.

Ctra. de Igualada, s/n - Apartado, 11
08280 CALAF (Barcelona)
Teléfono: 93-868 00 60*
Telefax: 93-868 00 55