



# SM-P

Pressurized pneumatic seed drill for no till





# SM-P

Pressurized pneumatic  
seed drill for no till



# A STEP FORWARD

We present the pneumatic pressurized cereal seed drill, with the newest technology, which will allow the farmer to optimize the planting task, both in its quality and accuracy and in its cost.

Its strengths are as follows:

Pressurized hopper, which implies a lower consumption of oil and diesel oil and ensures a uniform and efficient seed flow in each sowing coulters in any soil condition.

External distributor heads, which allow a better cleaning of the hopper.

Electric drive system of the volumetric metering unit with certified ISOBUS connection.

Possibility of carrying out planting work by means of prescription maps.

Modular metering rollers according to dose and type of crop.

Fast and easy access to the seed dose calibration.

Wide range of sowing equipments from conventional sowing to no till.



TINE COULTERS

DISTRIBUTOR HEADS

DISCS

DOUBLE DISCS

PT COULTERS

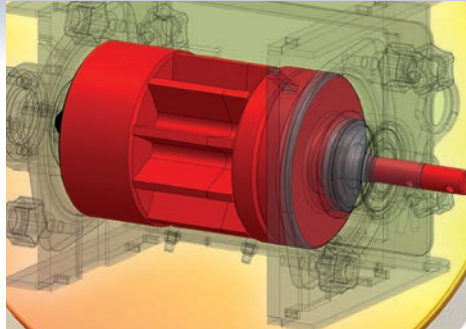


# SM-P

Pressurized pneumatic seed drill for no till



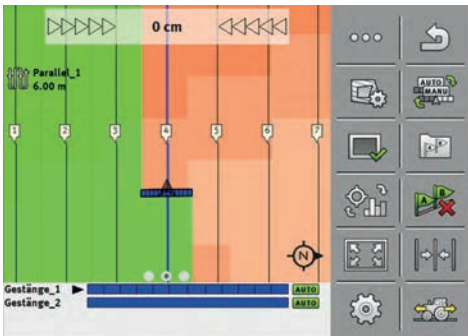
2,000 liter pressurized hopper.



Electric driven volumetric metering unit with interchangeable modular rollers.



Seed distributor heads outside the hopper.



Possibility to work with prescription maps by GPS.



Certified connection ISOBUS.



Wide range of virtual terminals available.

|                      | TECHNICAL SPECIFICATIONS |           |           |           |
|----------------------|--------------------------|-----------|-----------|-----------|
|                      | 400/25                   | 500/31    | 600/37    | 700/43    |
| Rows                 | 25                       | 31        | 37        | 43        |
| Working width (m.)   | 4                        | 5         | 6         | 7         |
| Transport width (m.) | 3,05                     | 3,05      | 3,05      | 3,05      |
| Rows spacing (cm.)   | 16                       | 16        | 16        | 16        |
| Weight (Kg.)         | 1950                     | 2250      | 2540      | 2830      |
| Wheels               | 340/55-16                | 340/55-16 | 340/55-16 | 340/55-16 |

| FEATURES  | OPTIONAL                                       |
|---|--|
| Pressurized hopper of 2000 liters.                        | Wheels for depth control.                      |
| 2 external seed distribution heads.                       | Double harrow.                                 |
| Hydraulic (25 lts/min) or mechanical turbine at 1000 rpm. | Hydraulic markers.                             |
| Removable selector screen.                                | Track erasers.                                 |
| ISOBUS electrical metering unit. Requires a speed source. | ISOBUS monitors.                               |
| 7-pin speed source included as standard.                  | Cutt-off half machine manually or by GPS.      |
| Equipment of signaling lights and work lights.            | Variable metering using prescription maps.     |
|   | Speed source (radar, GPS sensor, GPS antenna). |
|   | Interior light in hopper.                      |



MAQUINARIA AGRÍCOLA SOLÁ, S.L.  
 Ctra. de Igualada, s/n. 08280 CALAF (Barcelona) ESPAÑA  
 Telf. (+34) 93 868 00 60 / sola@solagrupo.com



The images of the machines, characteristics, standard equipment, optional equipment, etc. in this catalogue may be modified without notice.

V01EH-04-21