

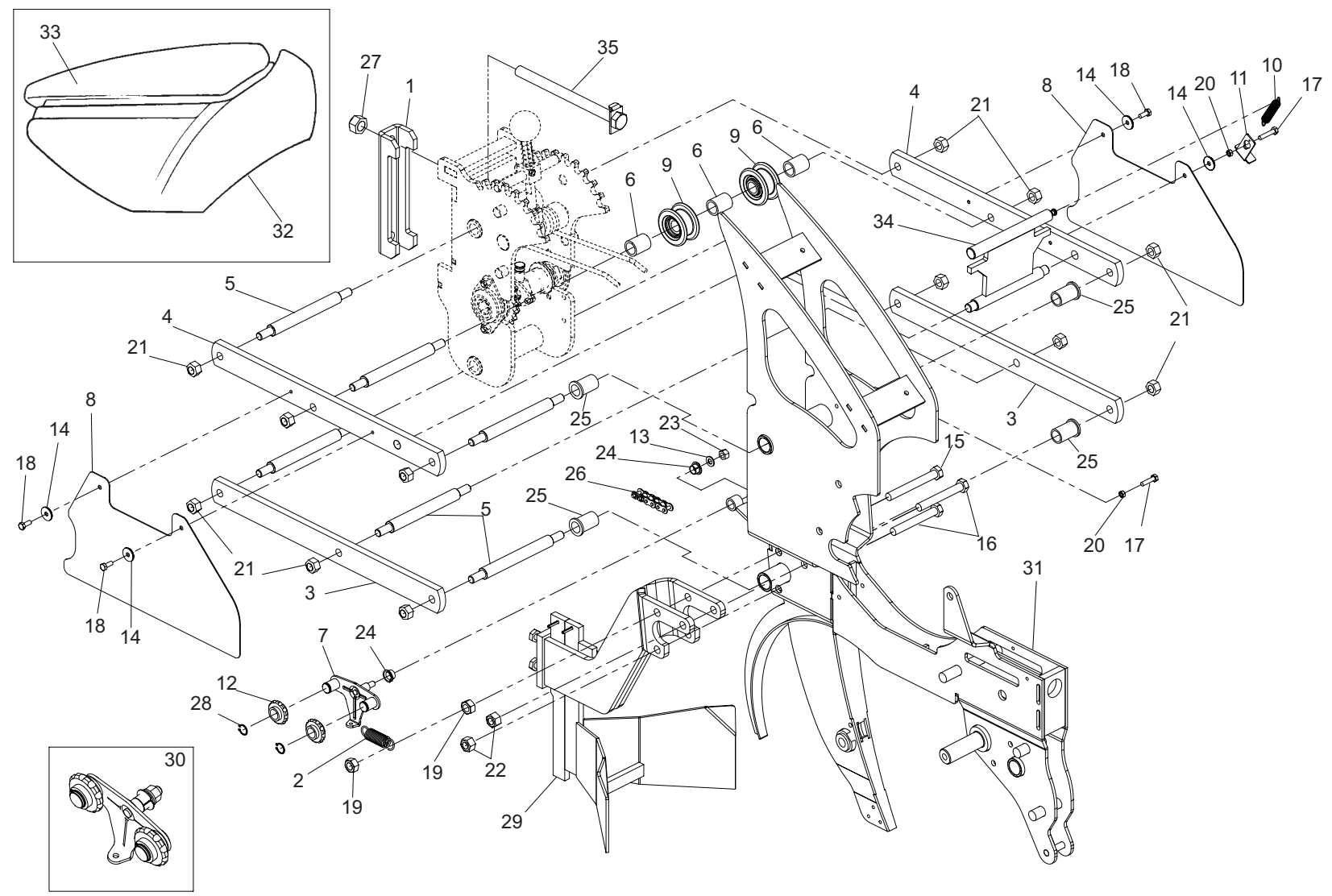
Catalogue de Rechangues

**PROSEM P et K**

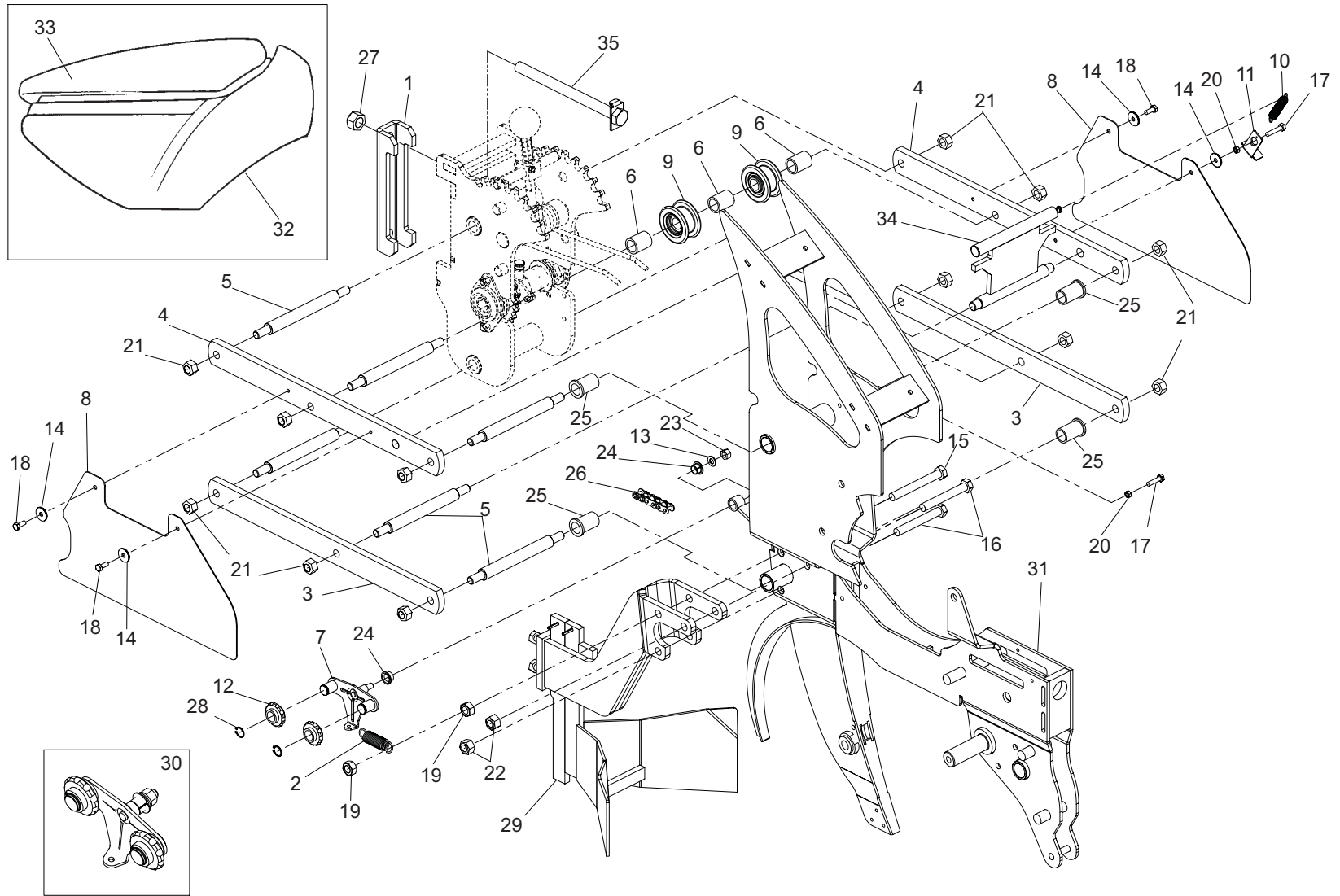
Ref.: CN-811039  
1ère Édition - Janvier 2005  
Crée par: CIAN ESTUDI DE DISSENY, S.L.U.

Interdite la reproduction totale ou partielle de ce manuel.  
Sujet à modifications sans préavis.

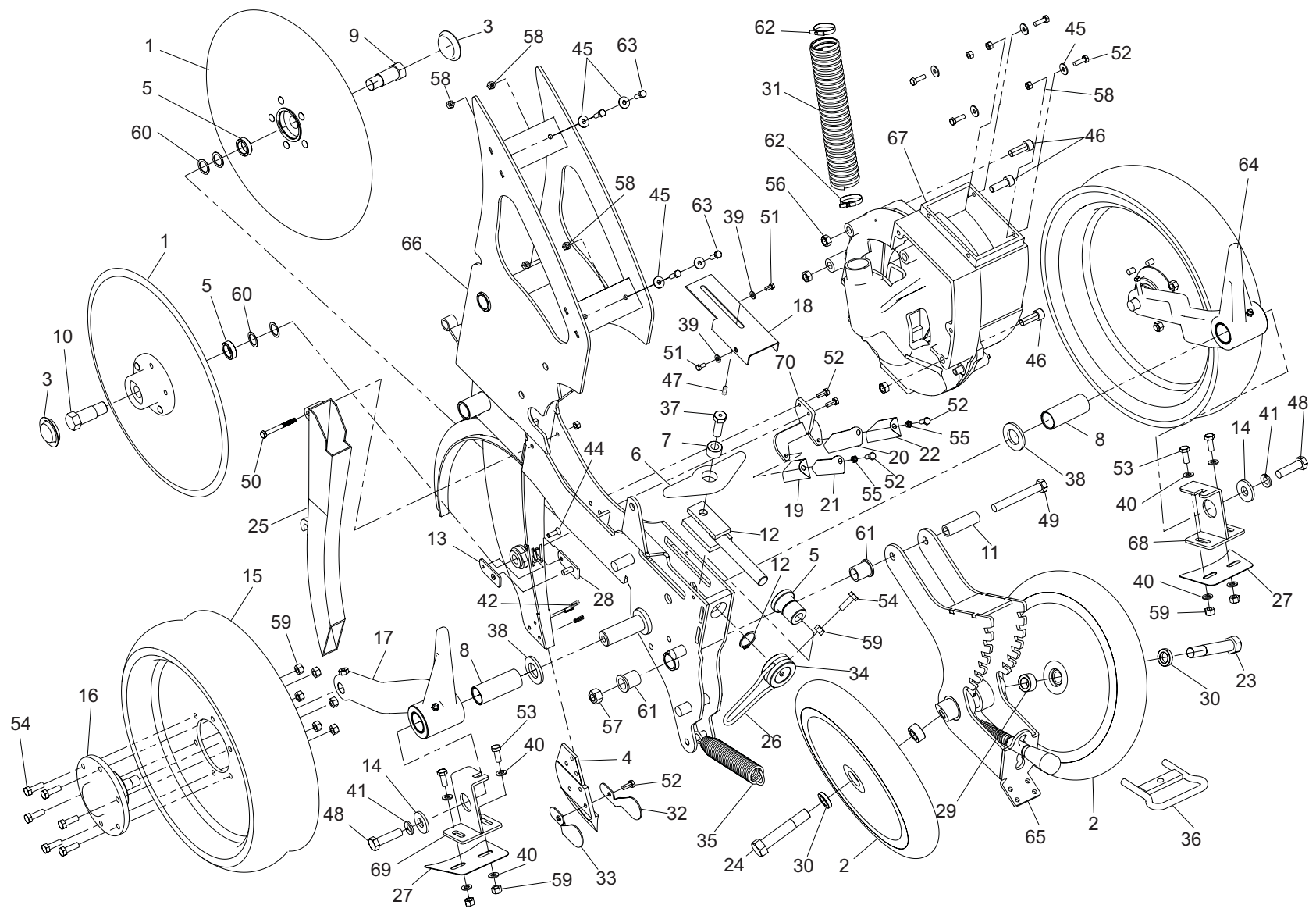
	<b>INDEX</b>	<b>PAGE</b>
1.	ÉLÉMENT SEMIS PROSEM K (I)	2-5
2.	ÉLÉMENT SEMIS PROSEM K (II)	6-11
3.	ÉLÉMENT SEMIS PROSEM P (I)	12-13
4.	ÉLÉMENT SEMIS PROSEM P (II)	14-17
5.	SUPPORT ÉLÉMENT	18-21
6.	CHASSE-MOTTES PROSEM K AVEC SUPPORT	22-23
7.	BIELLE ROULLEAU FERMETURE DU SILLON	24-25
8.	DISTRIBUTEUR DE SEMIS	26-31
9.	CHÂSSIS	32-35
10.	CHÂSSIS TÉLESCOPIQUE	36-39
11.	CHÂSSIS VARIANT 250 / 280	40-44
12.	CHÂSSIS VARIANT MANUEL	45-46
13.	GROUPE ASPIRATION	47-50
14.	TRANSMISSION	51-58
15.	BOÎTE DEVITESSE	59-60
16.	ROUE TRANSMISSION, REGLAGE EN HAUTEUR	61-64
17.	TRACEURS	65-72
18.	MICROGRANULATEUR (I)	73-76
19.	MICROGRANULATEUR (II)	77-78
20.	MICROGRANULATEUR T300 ET V280	79-80
21.	MICROGRANULATEUR T250 ET V250	81-82
22.	ÉLÉMENT FERTILISEUR À DISQUE	83-85
23.	ÉLÉMENT FERTILISEUR À SOC	86-87
24.	TRANSMISSION FERTILISEUR	88-91
25.	TRÉMIE FERTILISEUR	92-93
26.	ROULETTE INTERMÉDIAIRE	94-95
27.	CHASSE-DÉBRIS ÉTOILÉ	96-97
28.	ÉQUIPEMENT D'ÉCLAIRAGE ARRIÈRE	98-99
29.	FINISSION	100-103



N°	Reference	
1	PX-011711	
2	ML-010101	
3	EE-051700	
4	ME-051715	
5	ME-051743	
6	CO-040300	
7	PX-051725	
8	PL-051700	
9	CO-051711	
10	ML-051714	
11	PX-051761	
12	PL-040100	
13	125 24 BI	
14	440 6 BI	
15	931 12X100 BI	
16	931 12X90 BI	
17	933 6X25 BI	
18	933 6x15 BI	
19	934 12 BI	
20	934 6 BI	
21	980 12 BI	
22	985 12	
23	985 8	
24	FE-600008	
25	FE-600067	
26	FE-605062	
27	985 16	
28	471-16	

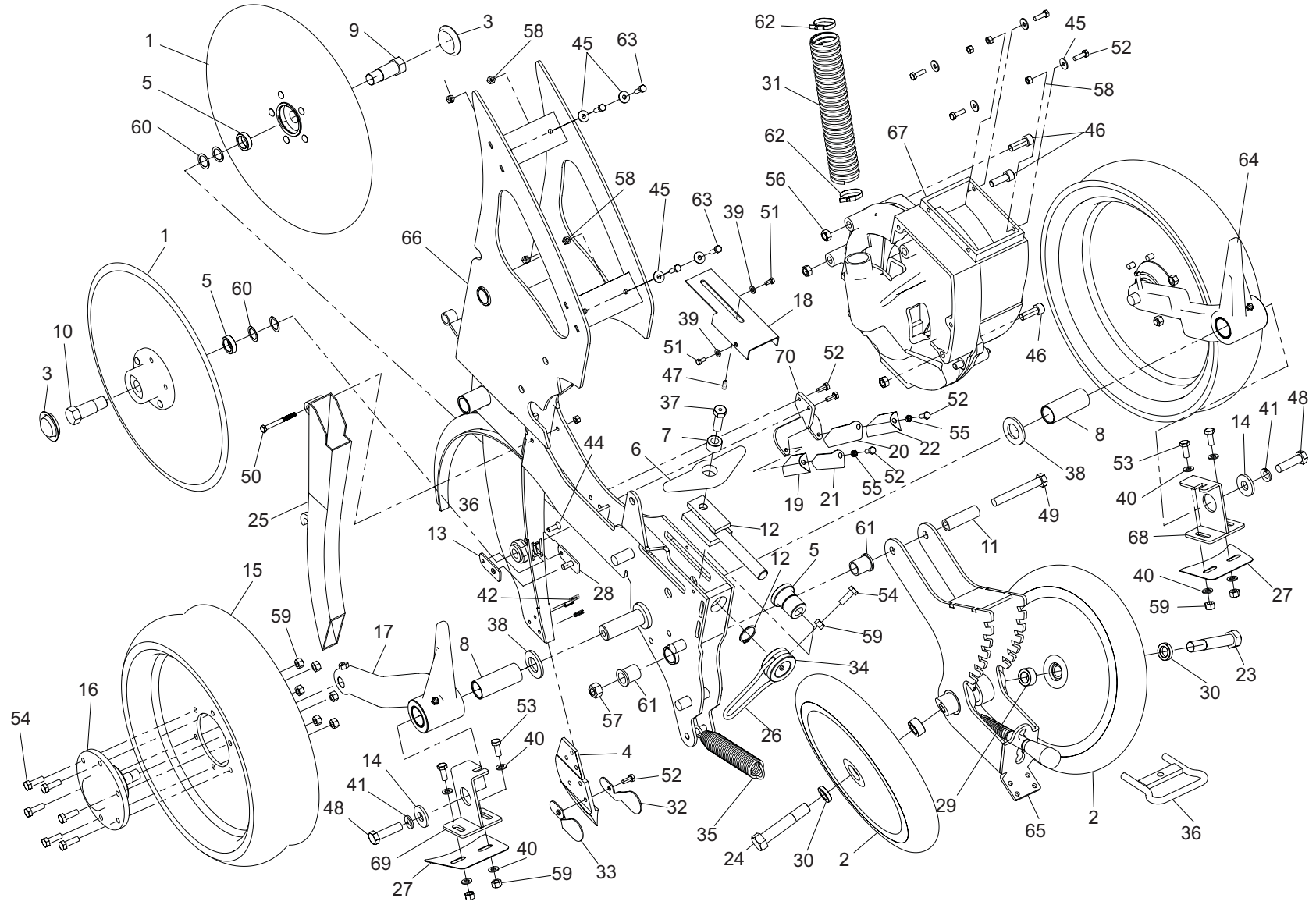




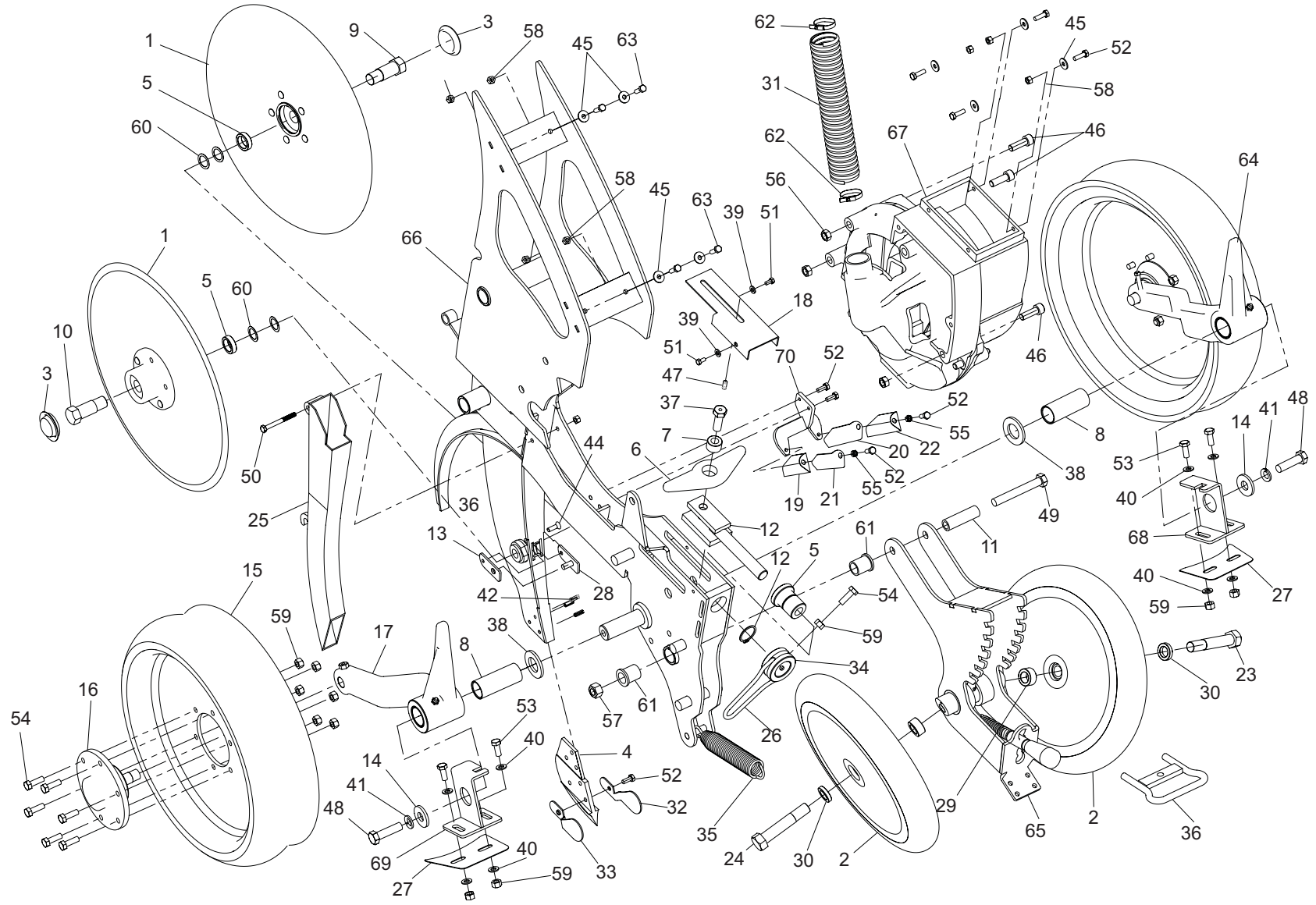




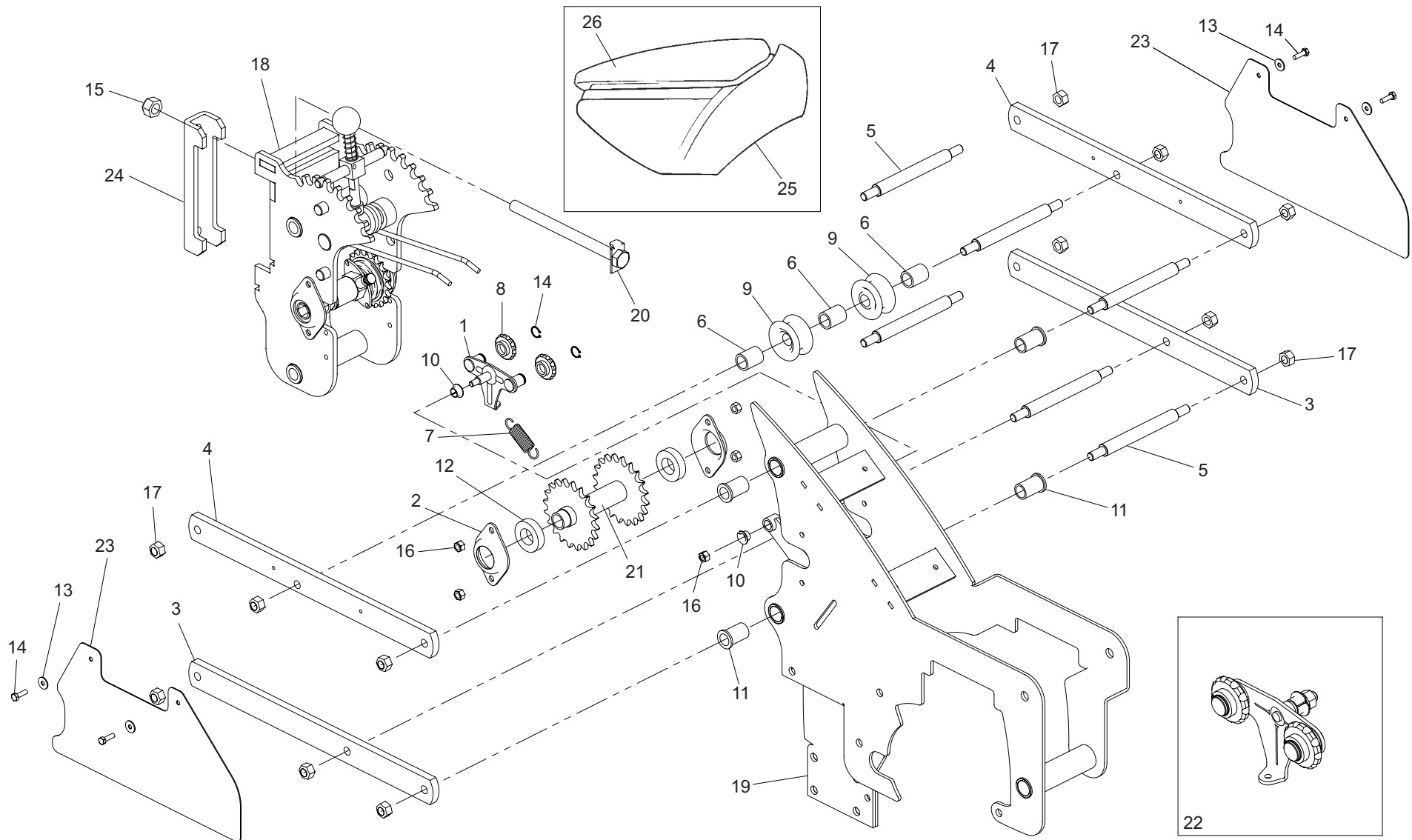
N°	Reference	
1	CO-051731	
2	CO-051764	
3	EE-051703	
4	FU-051700	
5	ME-051707	
6	ME-051722	
7	ME-051723	
8	ME-051724	
9	ME-051728	
10	ME-051729	
11	ME-051752	
12	CO-051704	
13	PX-051758	
14	A02-25	
15	CO-051712	
16	CO-051725	
17	CO-051715-I	
17	CO-051715-D	
18	PX-051724	
19	PX-051756-I	
20	PX-051756-D	
21	PX-051757-I	
22	PX-051757-D	
23	ME-051753	
24	ME-051754	
25	CO-051711	
26	PX-051737	
27	PX-051749	



<b>N°</b>	<b>Reference</b>	
28	PS-051707	
29	ME-051755	
30	ME-051756	
31	MP-907027	
32	PX-051768	
33	PX-051771	
34	ME-051721	
35	ML-051709	
36	PS-051706	
37	ME-051706	
38	125 24 BI	
39	125 6 BI	
40	125 8 BI	
41	127 12 BI	
42	1481 5X16 BI	
43	471 28	
44	7991 6X20 BI	
45	9021 6 BI	
46	912 10X60 8.8 BI	
47	913 6X15 BI	
48	933 12X45 BI	
49	931 12X90 BI	
50	931 6X60 BI	
51	933 6x10 BI	
52	933 6x15 BI	
53	933 8x20 BI	
54	933 8x25 BI	
55	934 6 BI	

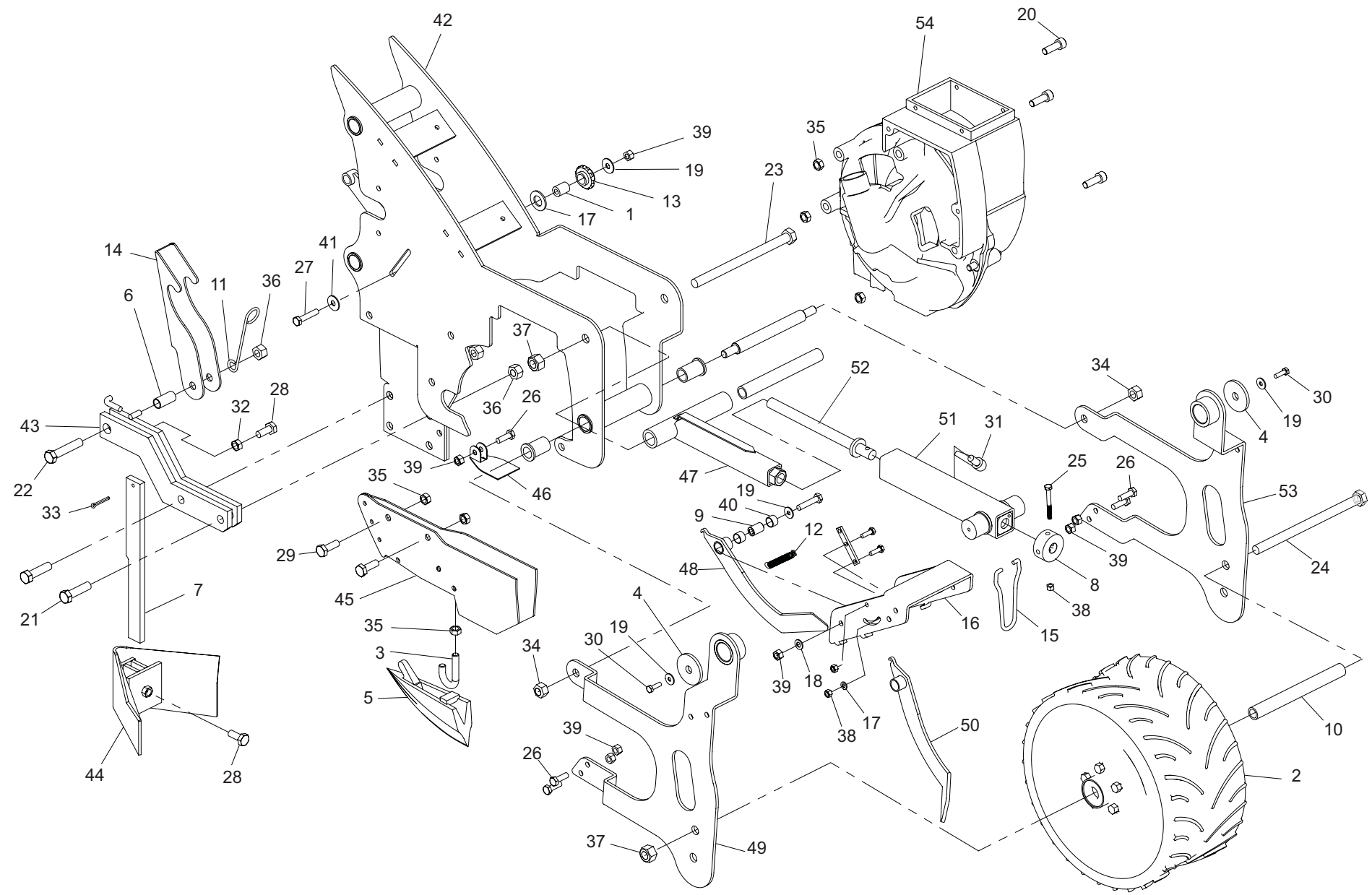






N°	Reference	
1	CO-040300	
2	EE-041701	
3	EE-051905	
4	EE-051906	
5	ME-051715	
6	ME-051743	
7	ML-010101	
8	PL-040100	
9	PL-051700	
10	FE-600008	
11	FE-600067	
12	471-16	
13	9021 6 BI	
14	933 6x20 BI	
15	985 16	
16	985 8	
17	980 12 BI	
18	MO-051906	
19	CO-051904	
20	CO-011728	
21	PS-041901	
22	MO-040113	
23	PX-051725	
24	PX-011711	
25	PL-021700	
26	PL-031700	

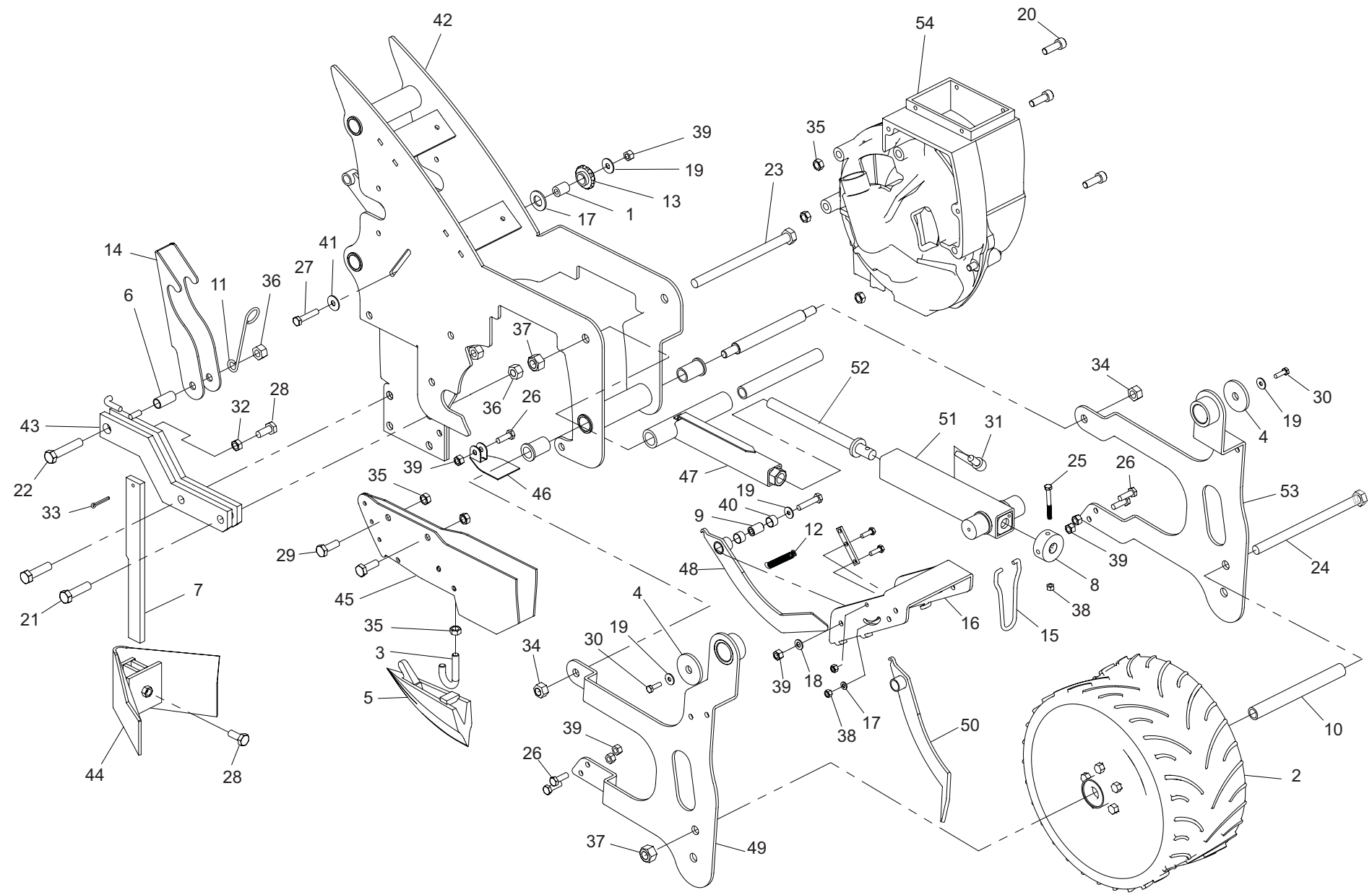
**04** ÉLÉMENT SEMIS  
PROSEM P (II)



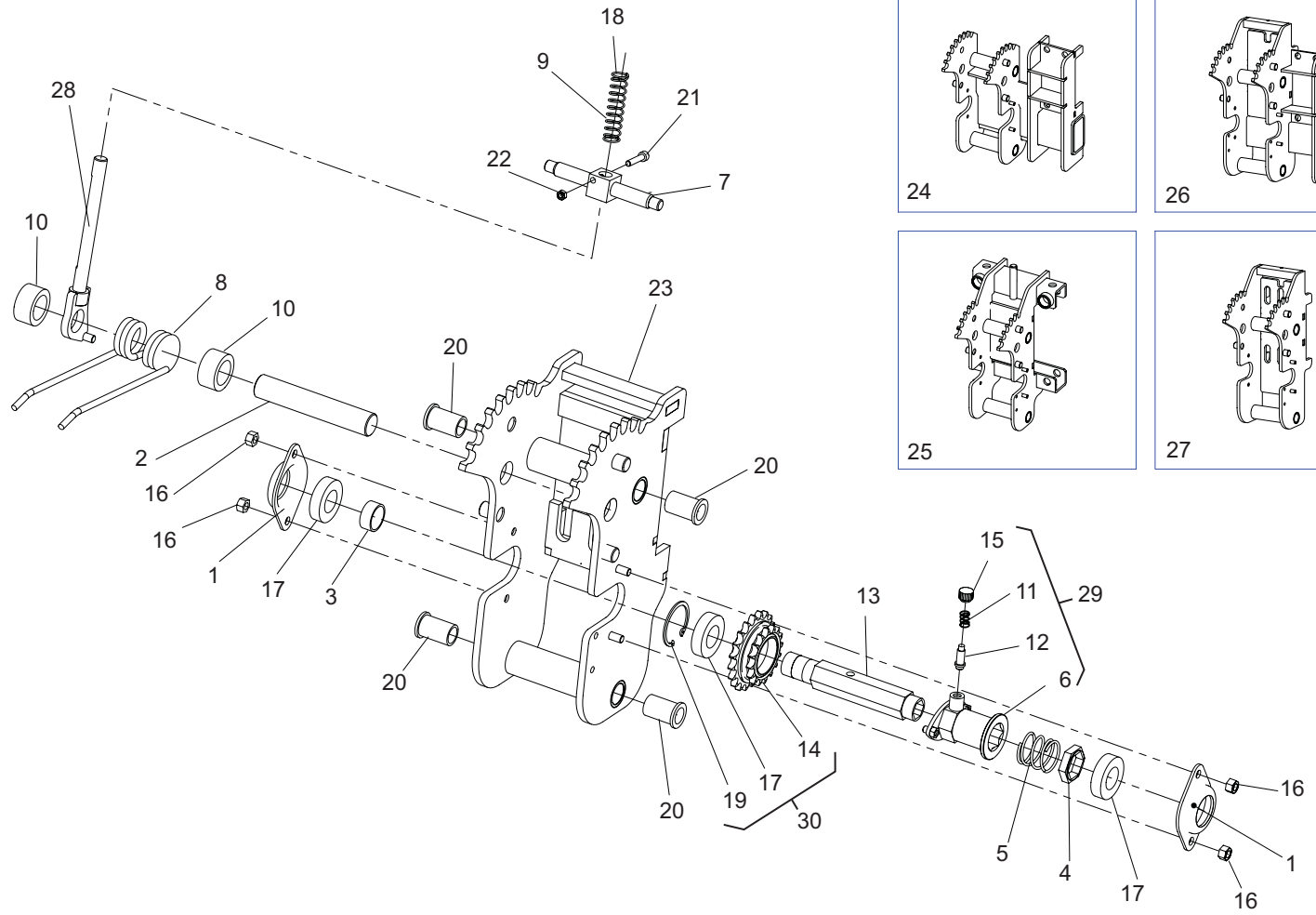


N°	Reference	
1	ME-041903	
2	CO-051902	
3	EE-051901	
4	EE-051904	
5	FU-051900	
6	ME-051719	
7	ME-051726	
8	ME-051900	
9	ME-051903	
10	ME-051904	
11	ML-051702	
12	ML-051900	
13	PL-040100	
14	PX-051722	
15	PX-051737	
16	PX-051908	
17	125 6 BI	
18	125 8 BI	
19	9021 6 BI	
20	912 10x60 BI 8.8	
21	931 12X45 BI	
22	931 12X60 BI	
23	931 14x200 BI	
24	931 14x220 BI	
25	931 6X55 BI	
26	931 8x25 BI	
27	931 8x40 BI	
28	933 10x25 BI	

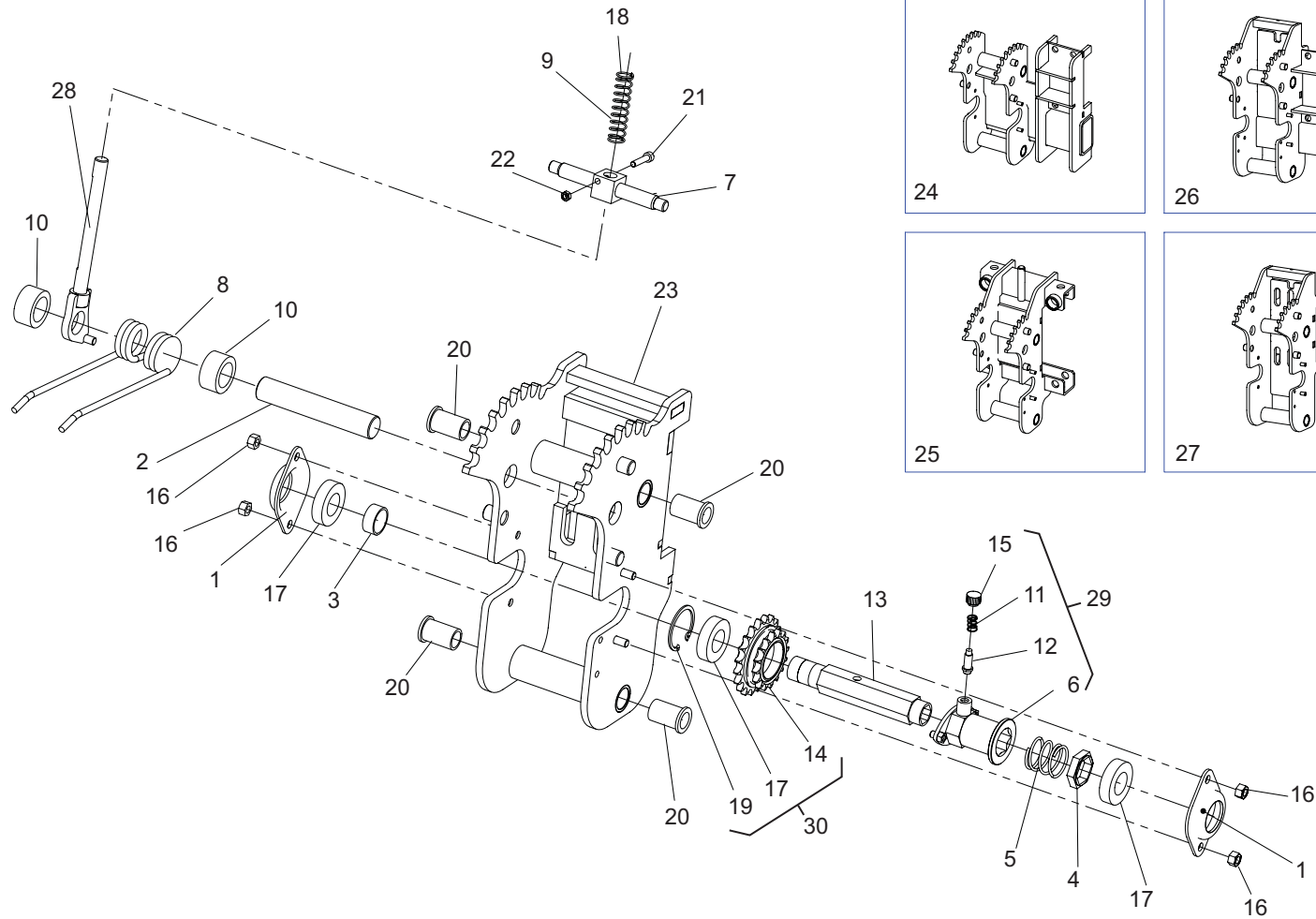
**04** ÉLÉMENT SEMIS  
PROSEM P (II)



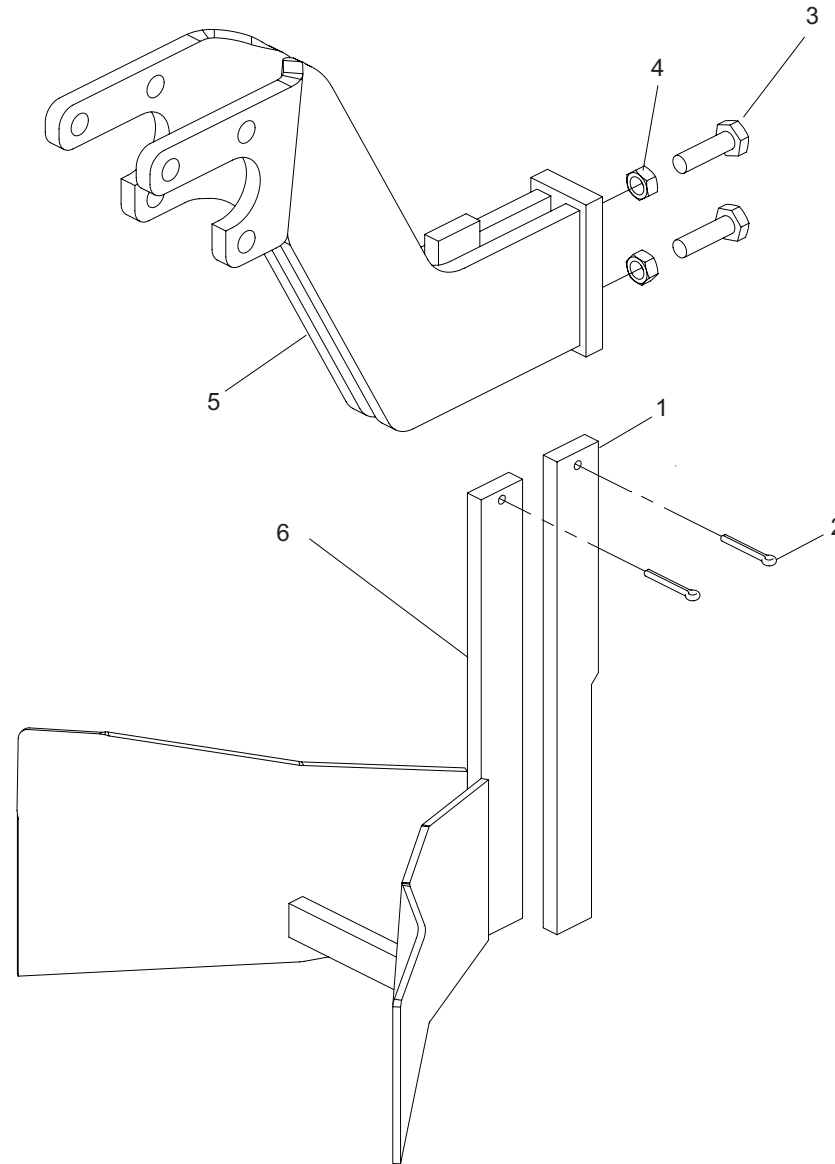
N°	Reference	
29	933 10x30 BI	
30	933 6x20 BI	
31	FE-614016	
32	934 10 BI	
33	94 4X30 BI	
34	980 12 BI	
35	985 10	
36	985 12	
37	985 14	
38	985 6	
39	985 8	
40	FE-600085	
41	9021 8 BI	
42	CO-051904	
43	CO-051906	
44	CO-051905	
45	CO-051900	
45	CO-051901	
46	CO-051903	
47	CO-051911	
48	CO-051910	
49	CO-051908/1	
50	CO-051909	
51	CO-051912	
52	CO-051913	
53	CO-051908/D	
54	CO-051714	



<b>N°</b>	<b>Reference</b>	
1	EE-041701	
2	BU-051700	
3	ME-041715	
4	ME-041727	
5	ML-041701	
6	CO-041710	
7	ME-051717	
8	ML-051704	
9	ML-051703/BI	
10	CT-051702	
11	ML-041705	
12	ME-041733	
13	ME-041721	
14	CO-041711	
15	FE-614003	
16	985 8 BI	
17	FE-600047	
18	FE-614004	
19	472-47	
20	FE-600067	
21	912 6X30 BI	
22	934 6 BI	
23	CO-051701	
24	CO-051736/D	
24	CO-051736/I	
25	CO-051740	
26	CO-051735/D	
26	CO-051735/I	

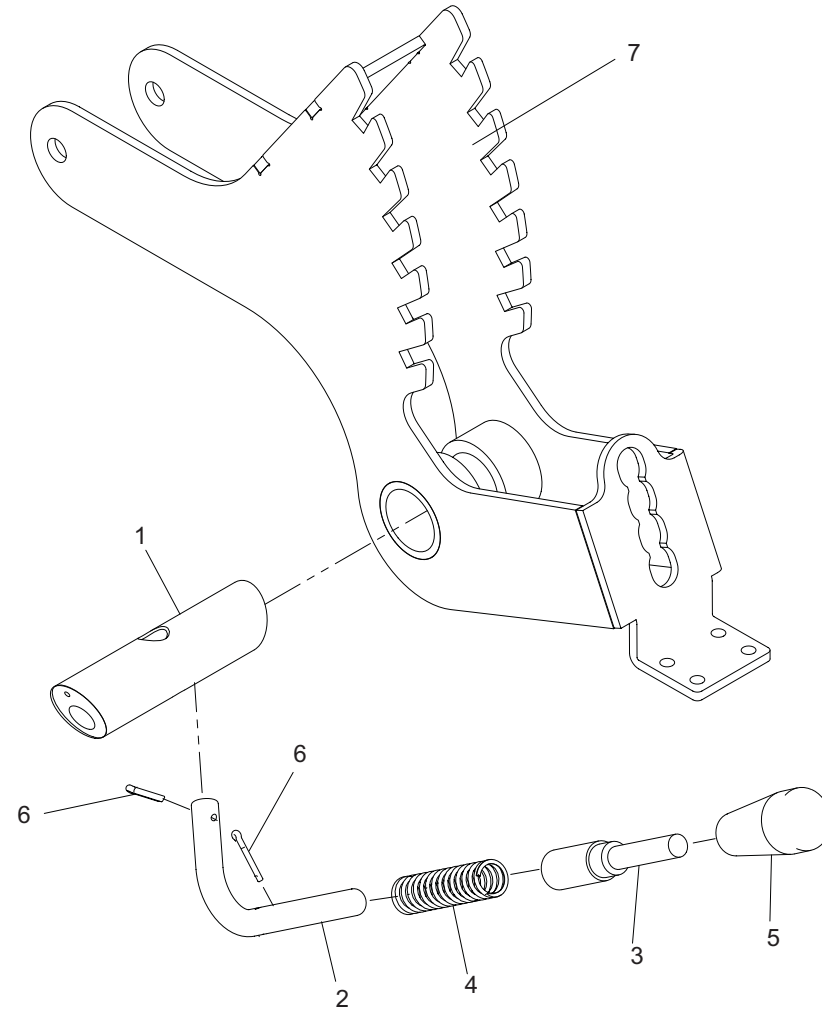




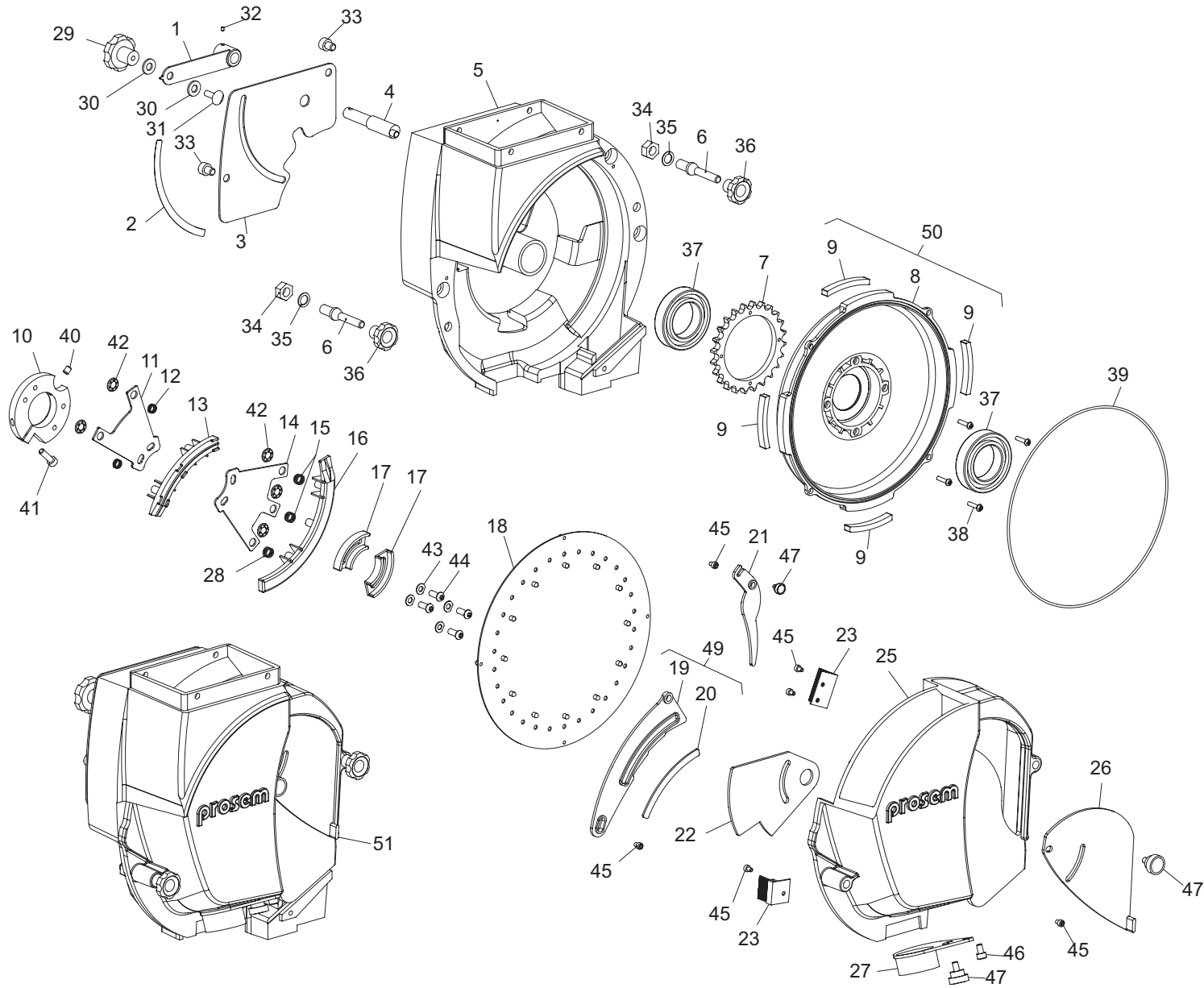




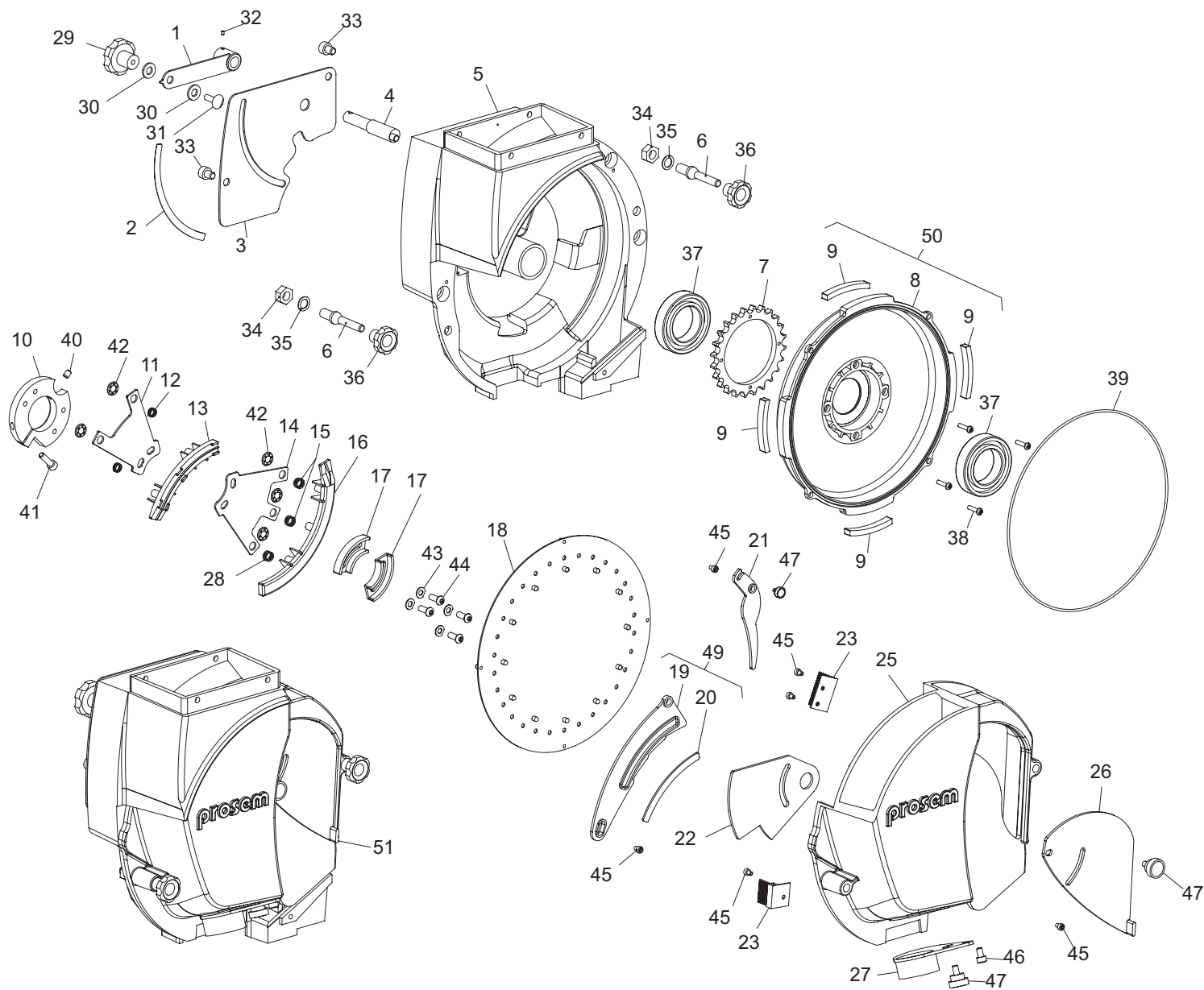




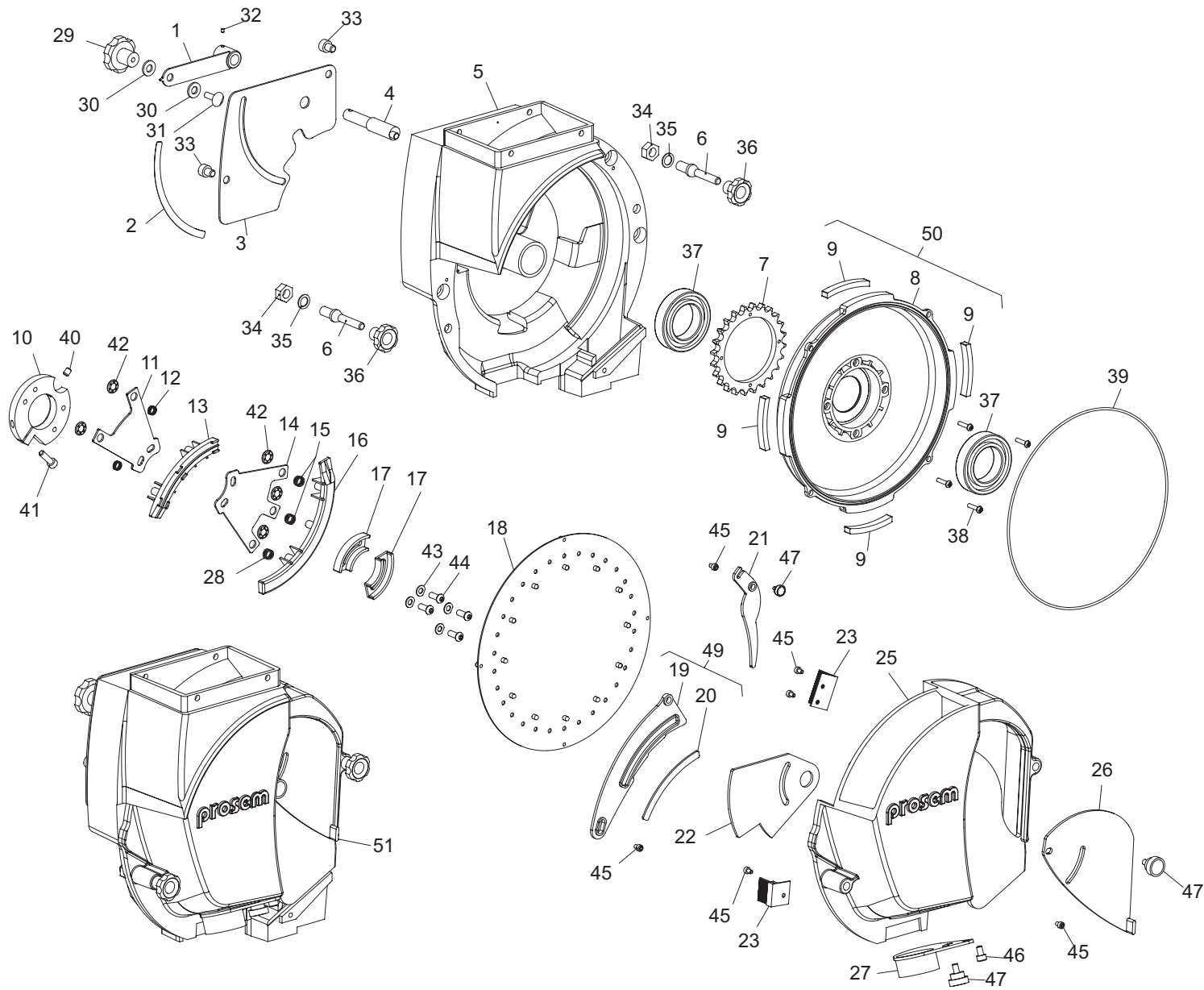




<b>N°</b>	<b>Reference</b>	
1	CO-041724	
2	AD-041700	
3	PX-041744	
4	ME-041729	
5	ME-041744	
6	ME-041741	
7	ME-041742	
8	PL-041706	
9	FE-607004	
10	ME-041743	
11	PX-041742	
12	ML-041706	
13	PL-041704	
14	PX-041741	
15	ML-041705	
15	PL-041705	
17	PL-041703	
18	CO-051720	
18	CO-051718	
18	CO-051720	
18	CO-051721	
18	CO-051722	
18	CO-051723	
18	CO-051738	
18	CO-051748	
18	CO-051749	
18	CO-051750	
18	CO-051751	

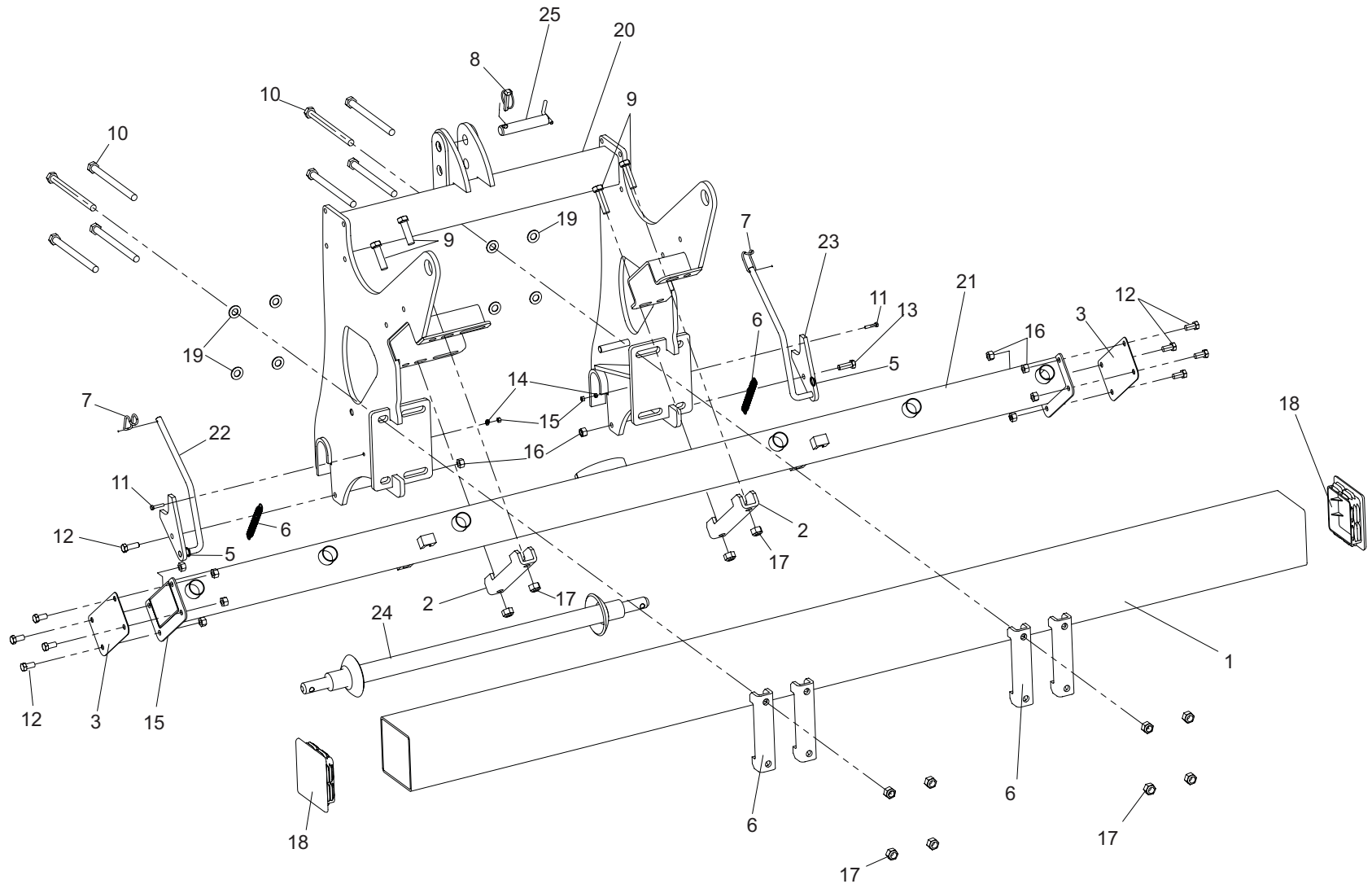


<b>N°</b>	<b>Reference</b>	
18	ME-041735	
18	TA-041722	
18	ME-041777	
18	CO-051758	
18	CO-051778	
19	PL-041701	
20	FE-607005	
21	PL-041702	
22	PL-041712	
23	CO-041722	
24	CO-041723	
25	ME-041745	
26	PL-041711	
27	PL-041710	
28	ML-041707	
29	FE-614010	
30	FE-614012	
31	603 6X20 BI	
32	914 4X5	
33	912 8X10 BI	
34	934 10 BI	
35	127 10 BI	
36	FE-614007	
37	FE-600050	
38	7985 4X20 BI	
39	FE-601023	
40	914 6X8	
41	912 6X20 8.8 BI	

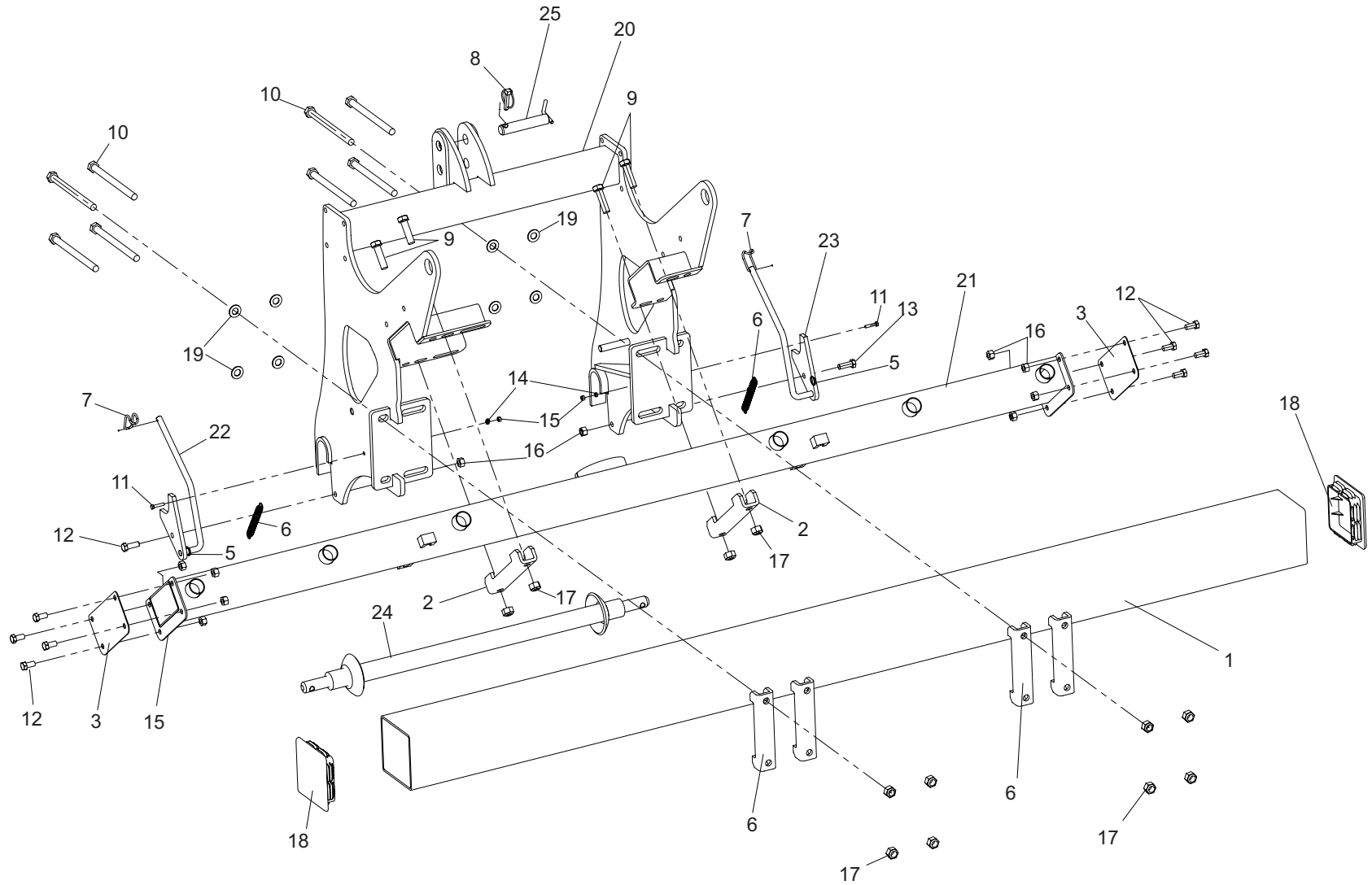




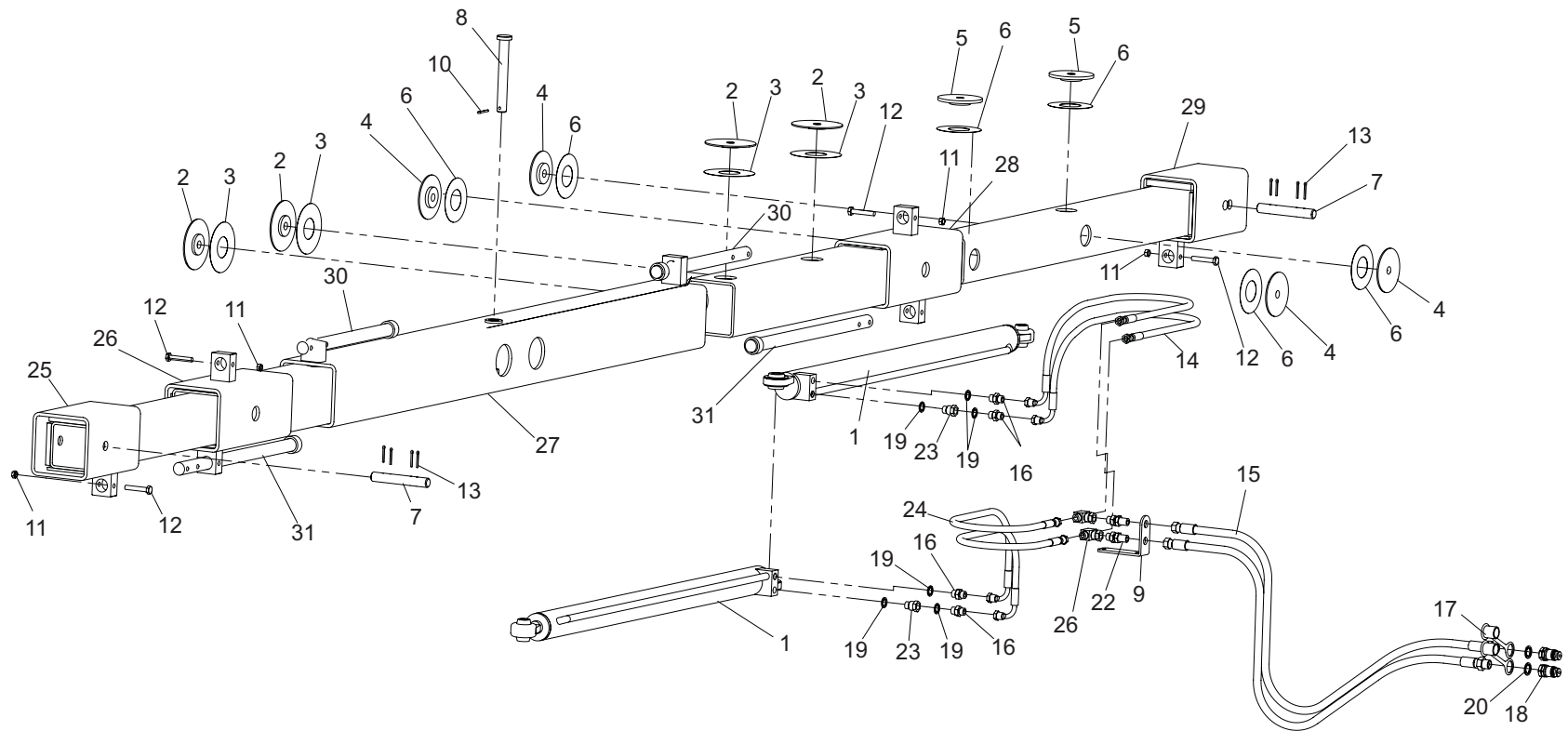




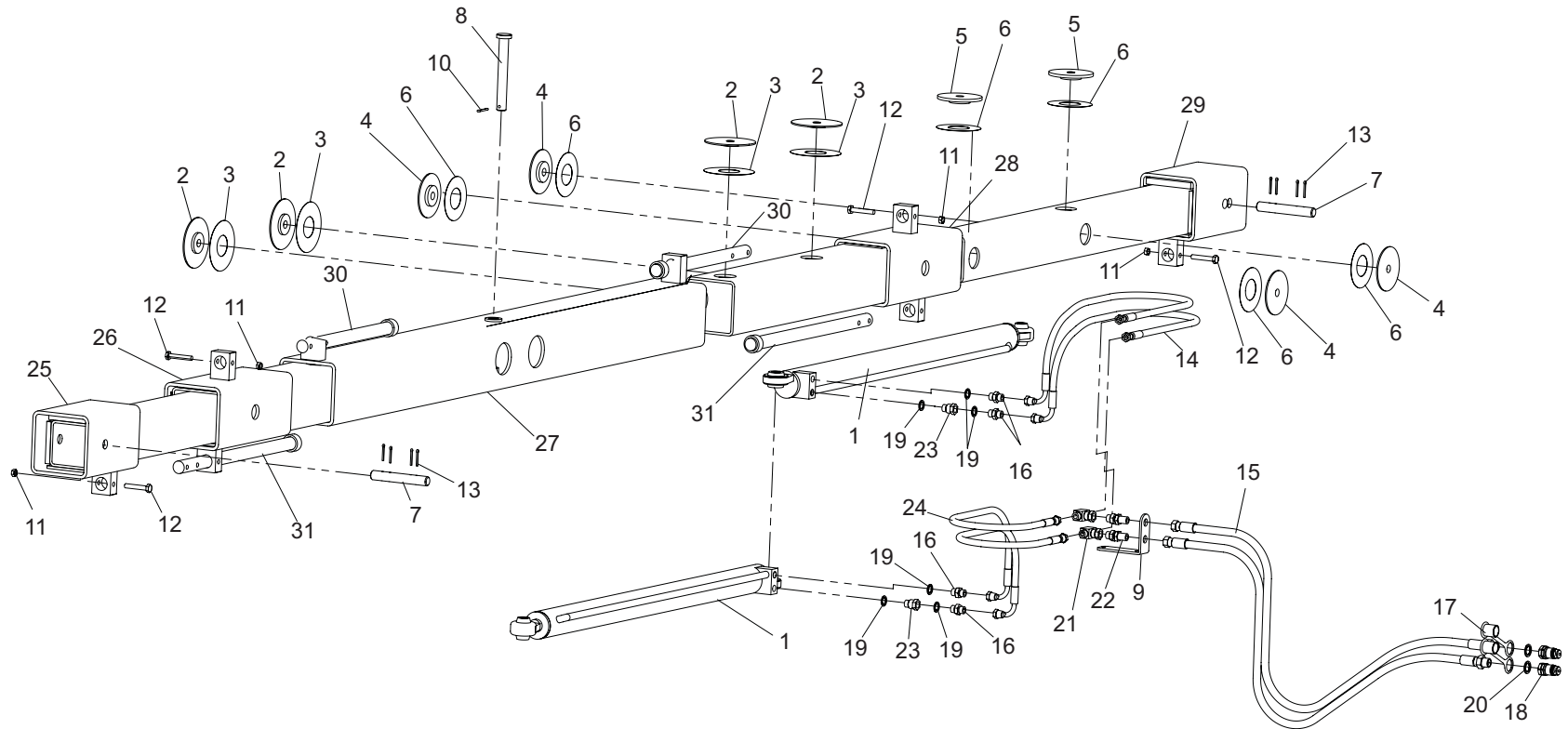
N°	Reference	
1	CT-011708	
1	CT-011709	
1	CT-011710	
1	CT-011719	
1	CT-011720	
1	CT-011721	
2	PX-011713	
3	PX-021703	
4	ML-041700	
5	L02-01	
6	PX-011711	
7	M01-18	
8	FE-610008	
9	931 16x75 8.8 BI	
10	931 16x210 8.8 BI	
11	933 6x30 BI	
12	933 12X25 BI	
13	933 12X35 BI	
14	934 6 BI	
15	985 6	
16	985 12	
17	985 16	
18	PL-011705	
19	125 16 BI	
20	PS-011700	
21	PS-011702	
21	PS-011703	
22	PS-011704-I	





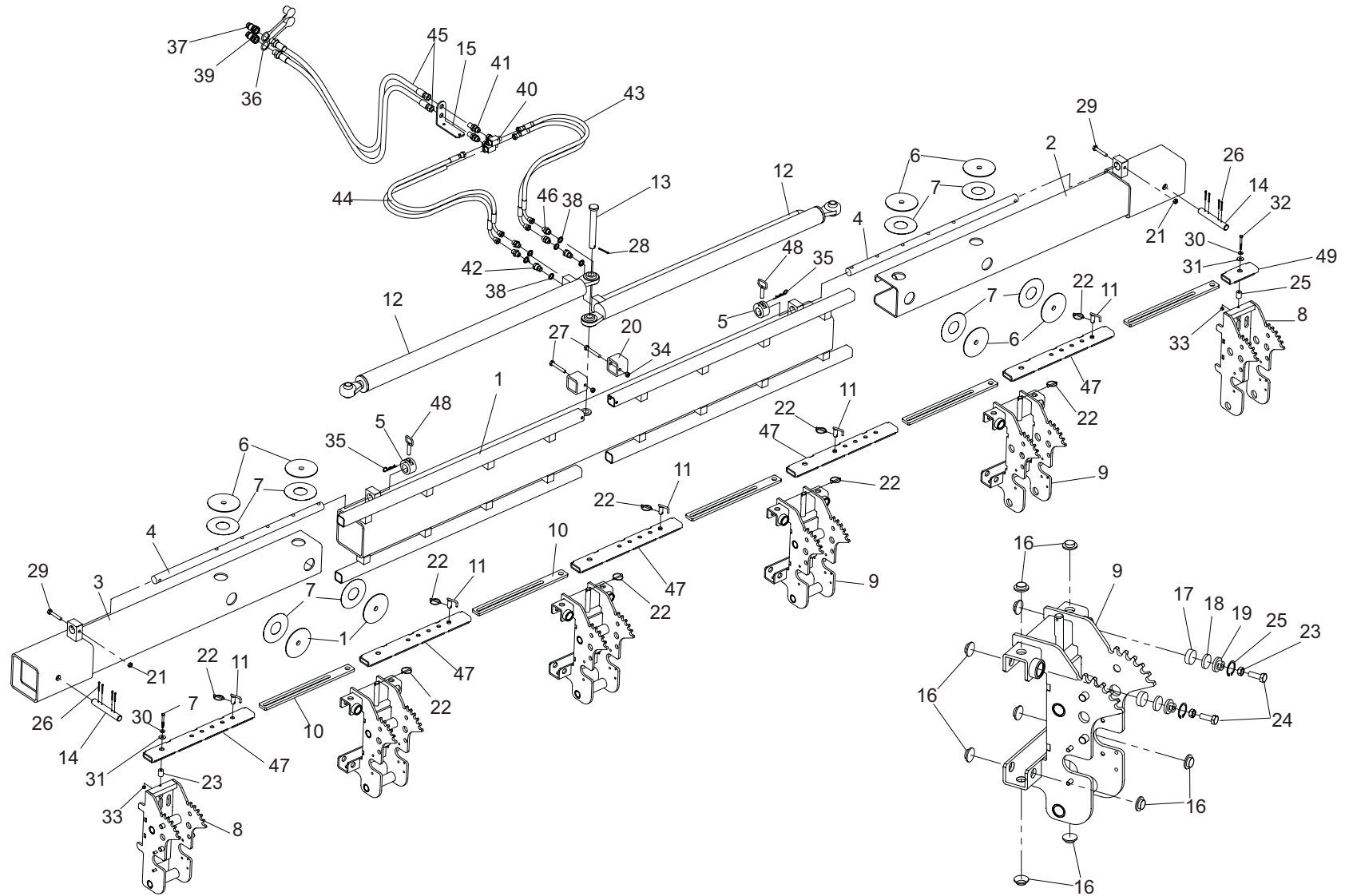


<b>N°</b>	<b>Reference</b>	
1	CO-011700	
2	PL-011701	
3	PX-011717	
4	PL-011700	
5	PL-011702	
6	PX-011716	
7	BU-011701	
8	BU-011700	
9	PX-071700	
10	94 5x40 BI	
11	985 10	
12	931 10x60 BI	
13	94 4X32 BI	
14	HI-700084	
15	HI-700082	
16	HI-704007	
17	HI-707001	
18	HI-701000	
19	HI-705003	
20	HI-705002	
21	HI-703002	
22	HI-704028	
23	HI-704024	
24	HI-700083	
25	CO-011716	
25	CO-011705	
25	CO-011722	
26	CO-011714	

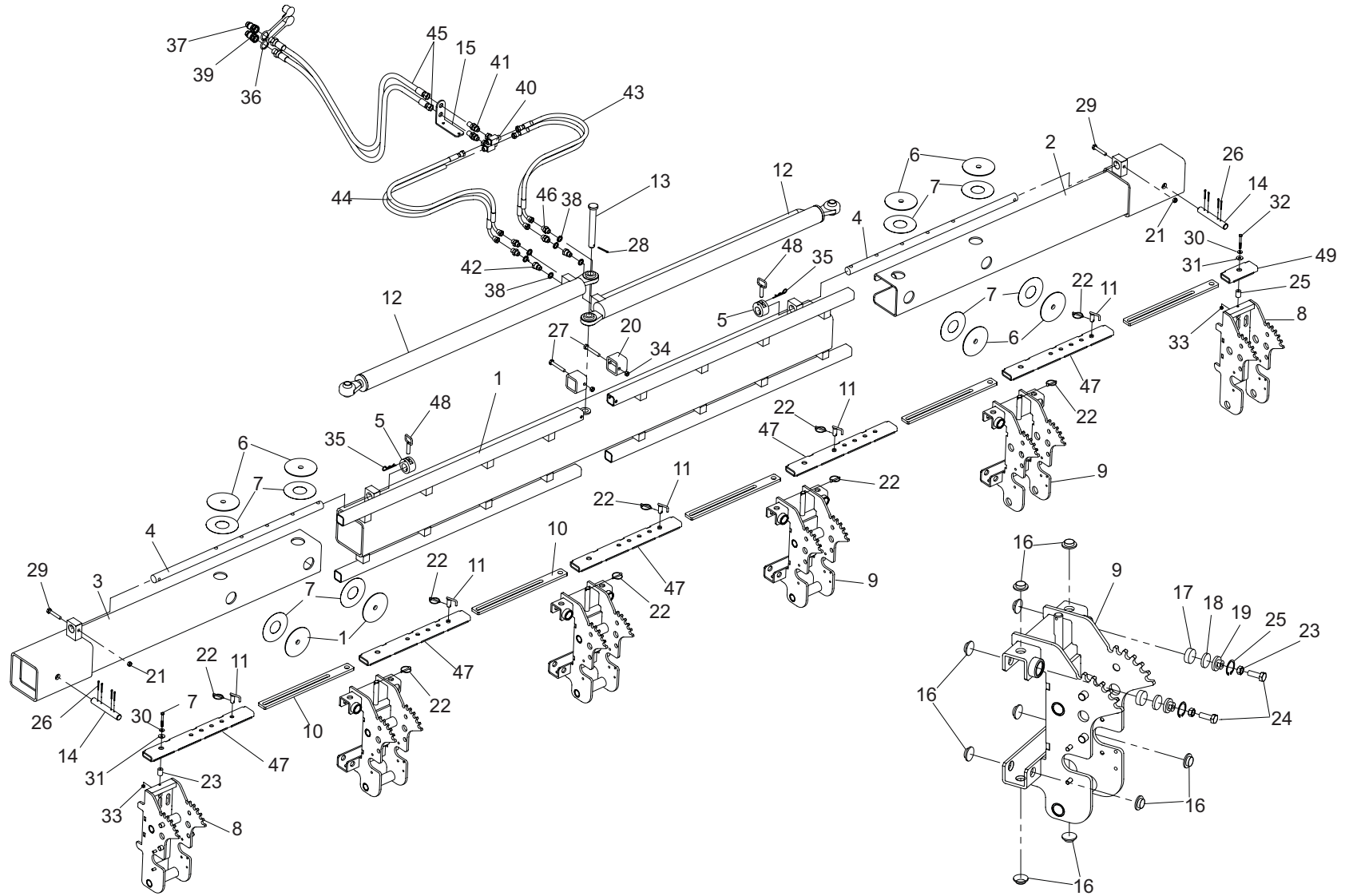




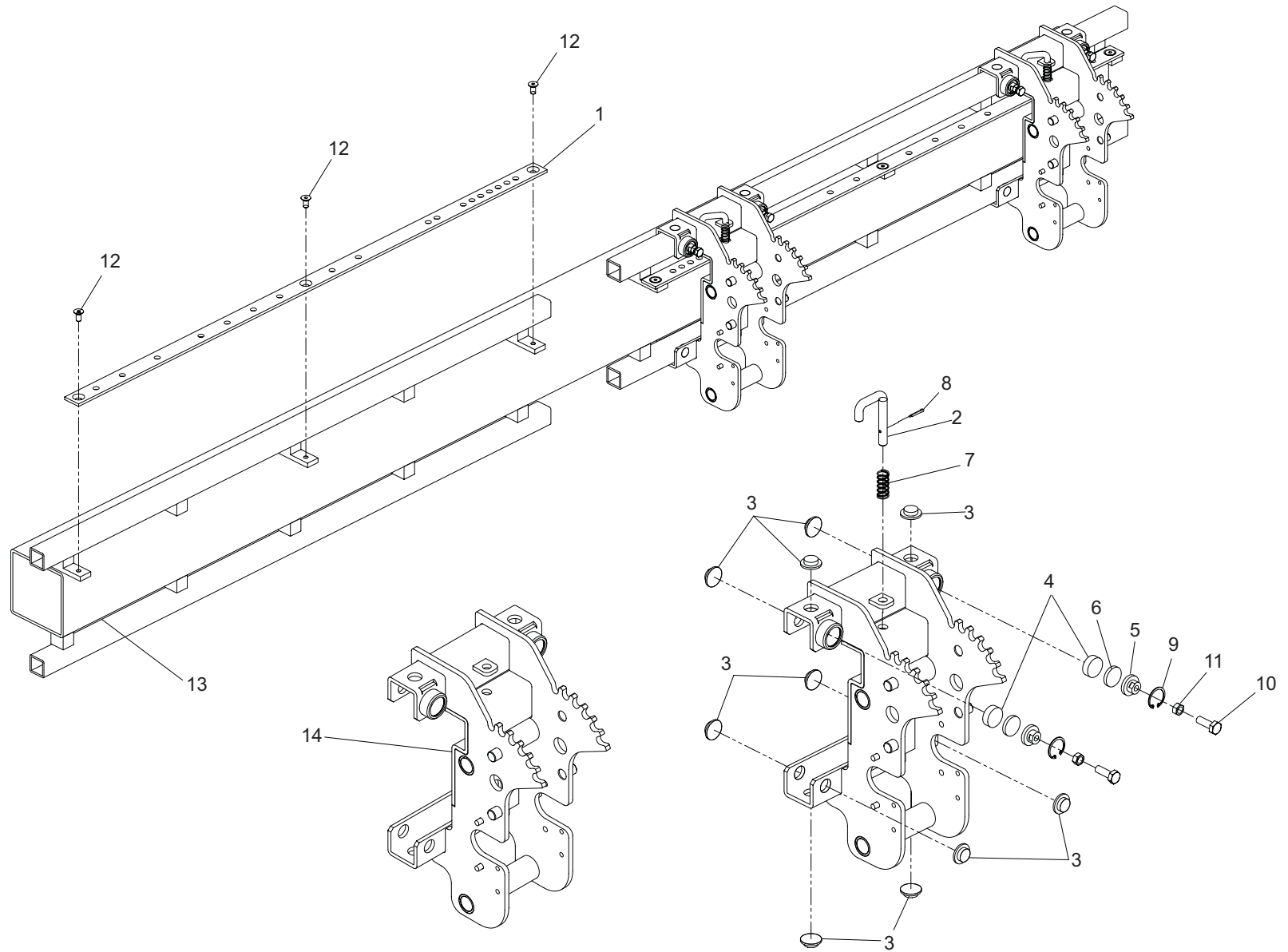




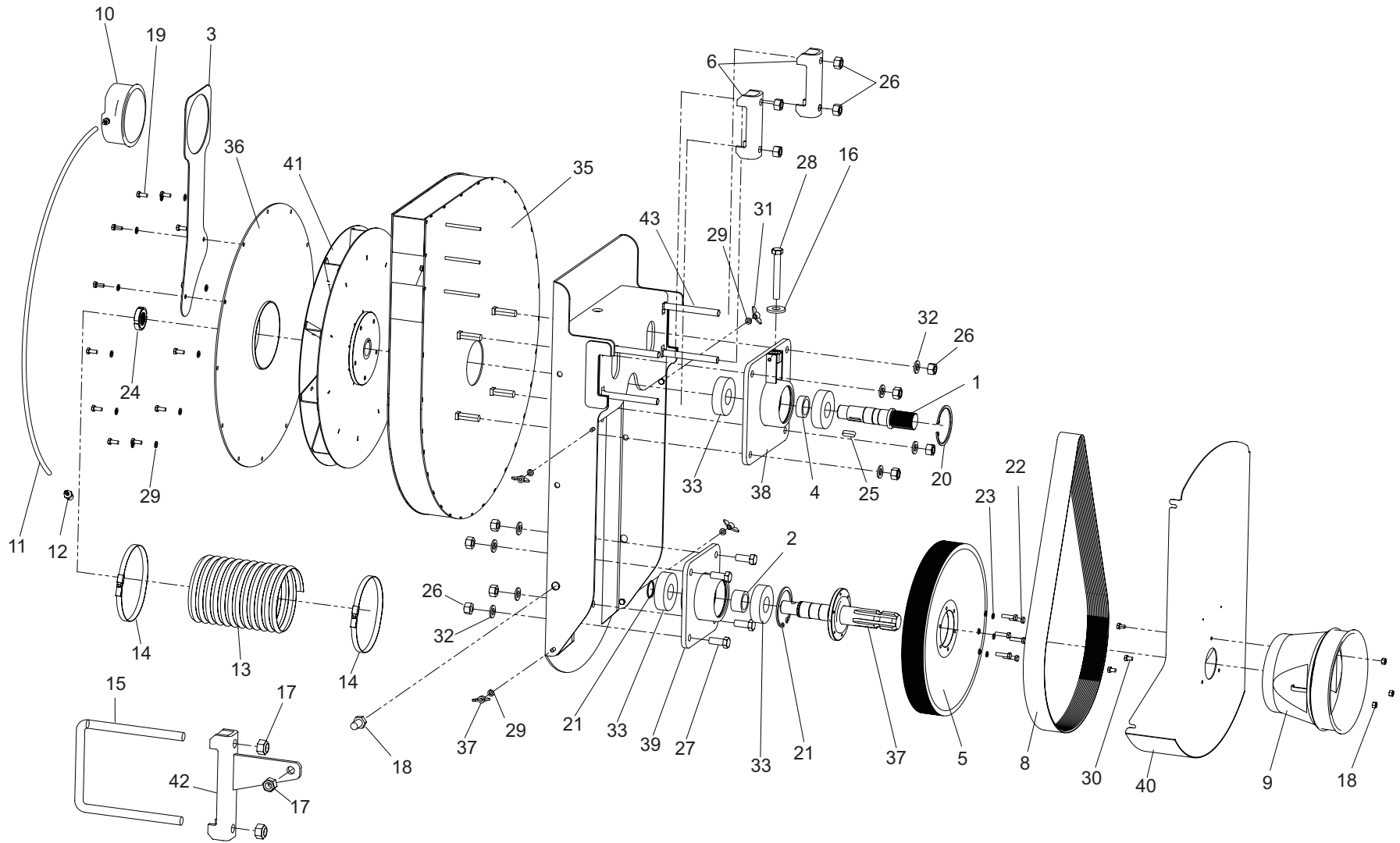
N°	Reference	
1	CO-011724	
2	CO-011729	
3	CO-011730	
4	TA-011733	
4	TA-011732	
5	ME-011732	
6	PL-011701	
7	PX-011717	
8	CO-051746	
8	CO-051735/D	
8	CO-051735/I	
9	CO-051740	
10	ME-011725	
11	CO-011742	
12	CO-011700	
13	BU-011700	
14	BU-011701	
15	PX-071700	
16	PL-011703	
17	PL-011704	
18	ME-011702	
19	ME-011703	
20	TA-011730	
20	TA-011731	
21	ME-051751	
22	FE-610012	
23	934 10 BI	
24	933 10x30 BI	



<b>N°</b>	<b>Reference</b>	
25	472-30	
26	94 4X32 BI	
27	93I 12X80 BI	
28	94 5x40 BI	
29	93I 10x60 BI	
30	902I 6 BI	
31	902I 8 BI	
32	93I 6X55 BI	
33	985 6	
34	985 10	
35	FE-610002	
36	HI-707001	
37	HI-701000	
38	HI-705003	
39	HI-705002	
40	HI-703002	
41	HI-704028	
42	HI-704024	
43	HI-700083	
44	HI-700084	
45	HI-700082	
46	HI-704007	
47	PS-011731	
47	PS-011730	
48	PS-011735	
49	PS-011734	

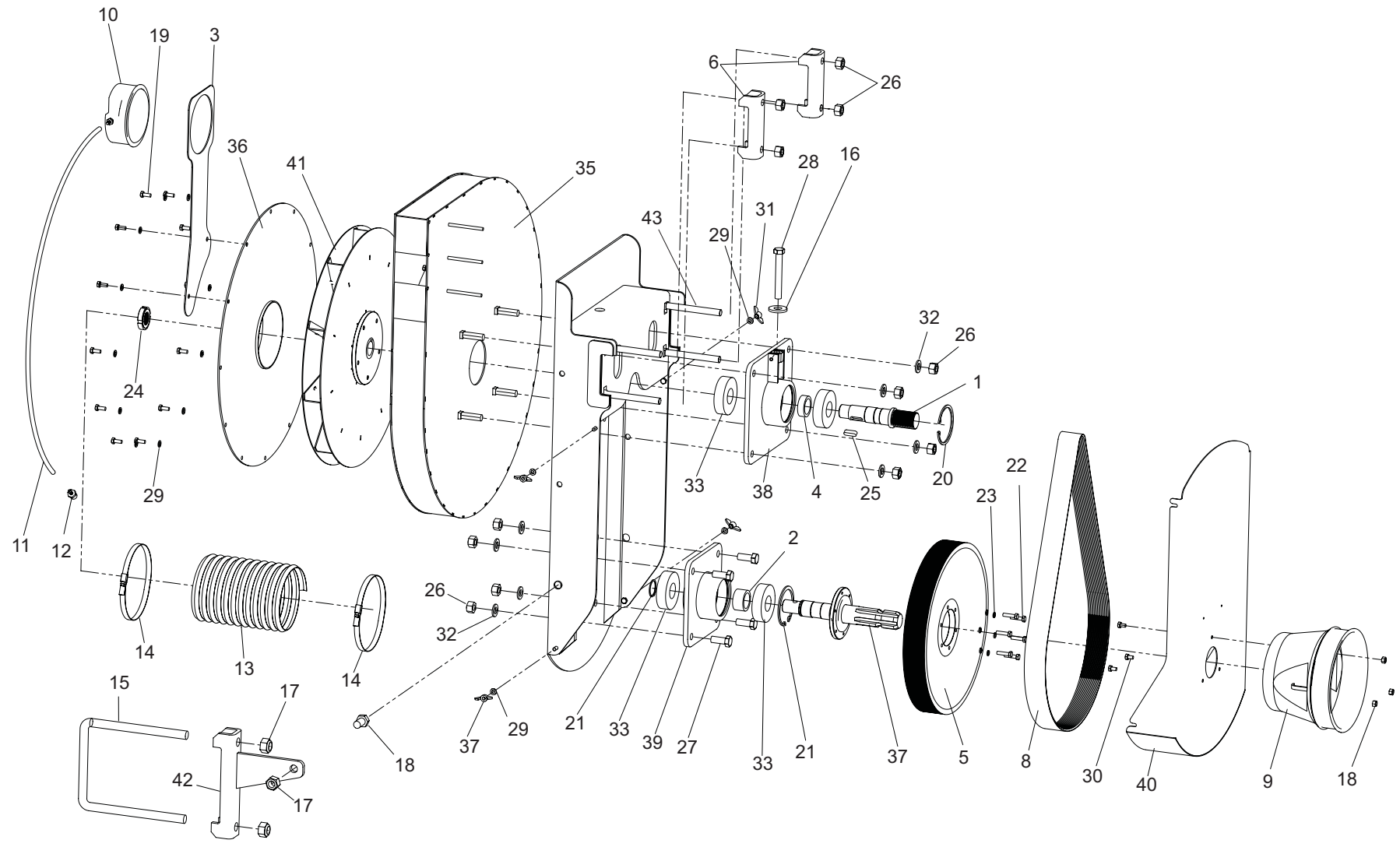




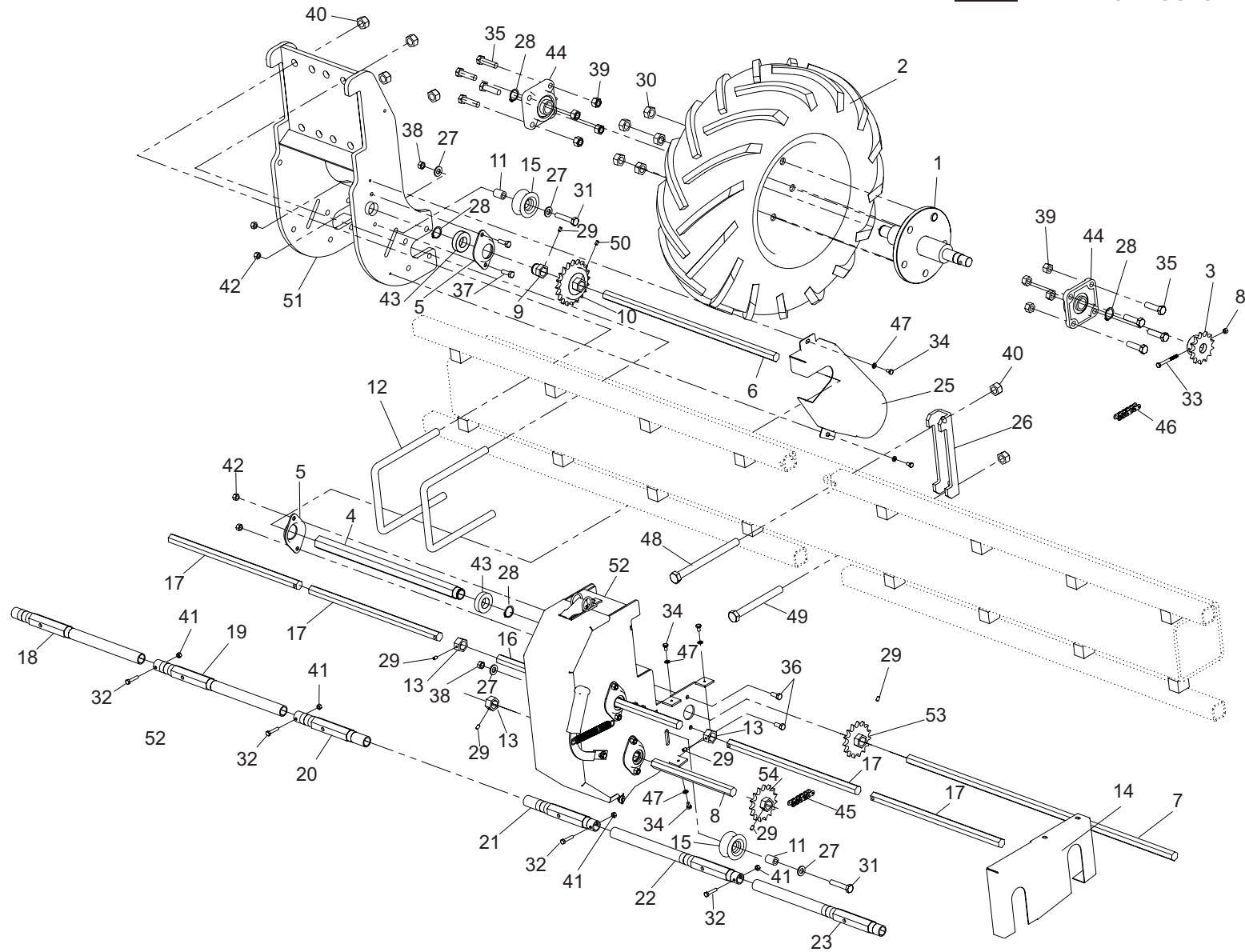




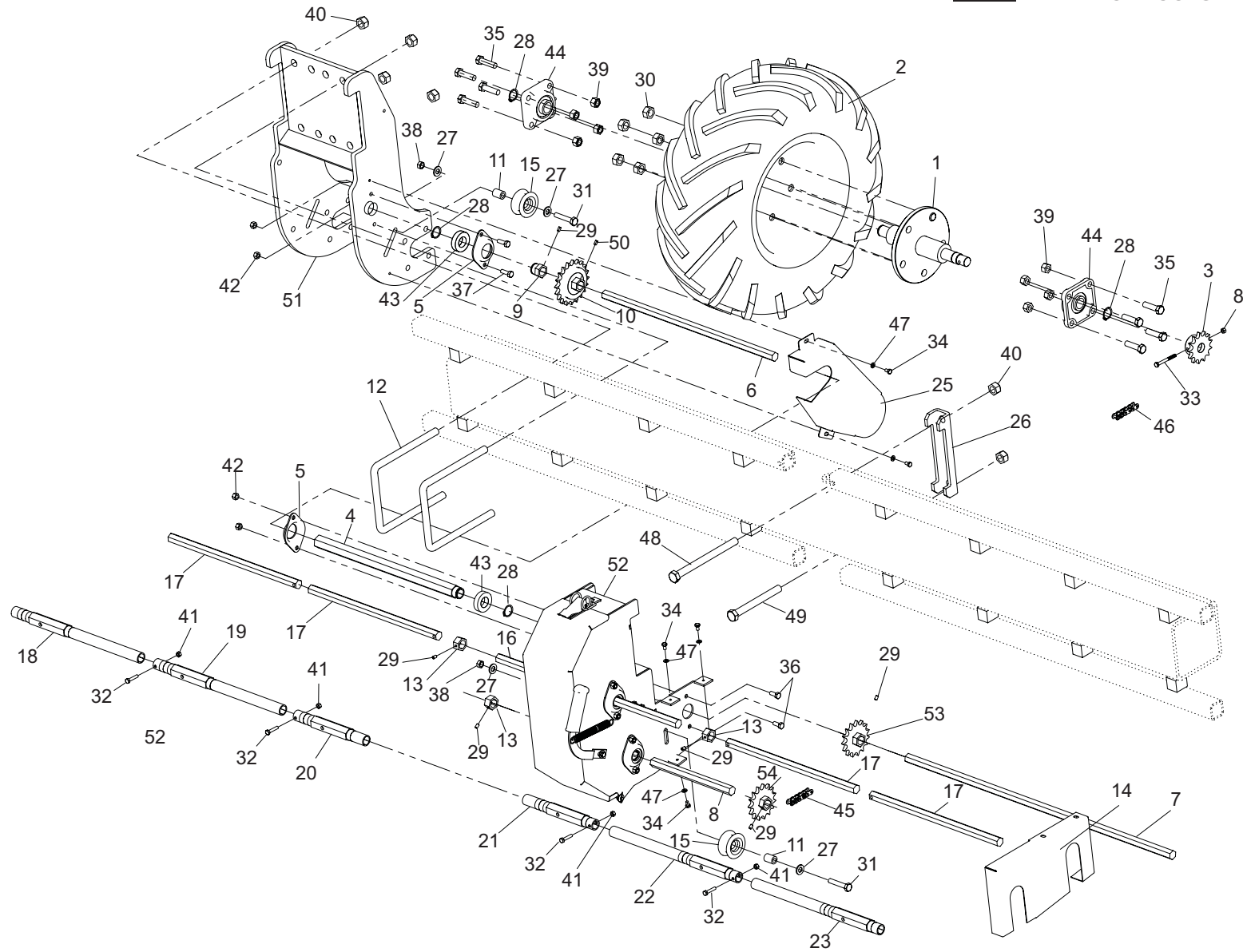
<b>N°</b>	<b>Reference</b>	
1	ME-041704	
3	PX-041726	
4	ME-041736	
5	ME-041702	
6	PX-011714	
7	ME-041737	
8	FE-604014	
9	TA-041706	
10	CO-041703	
11	VA-041701	
12	HI-704027	
13	VA-041700	
14	FE 606019	
15	EE-011705	
16	A02-25	
17	985 14 BI	
18	933 14X25 BI	
19	933 6X15 BI	
20	472-72	
21	471-30	
22	933 6X25 BI	
23	7980 6 BI	
24	981 25/150 BI	
25	6885-A 8X7X25	
26	985 12	
27	933 12X30 BI	
28	933 12X90 8.8 BI	
29	125 6 BI	



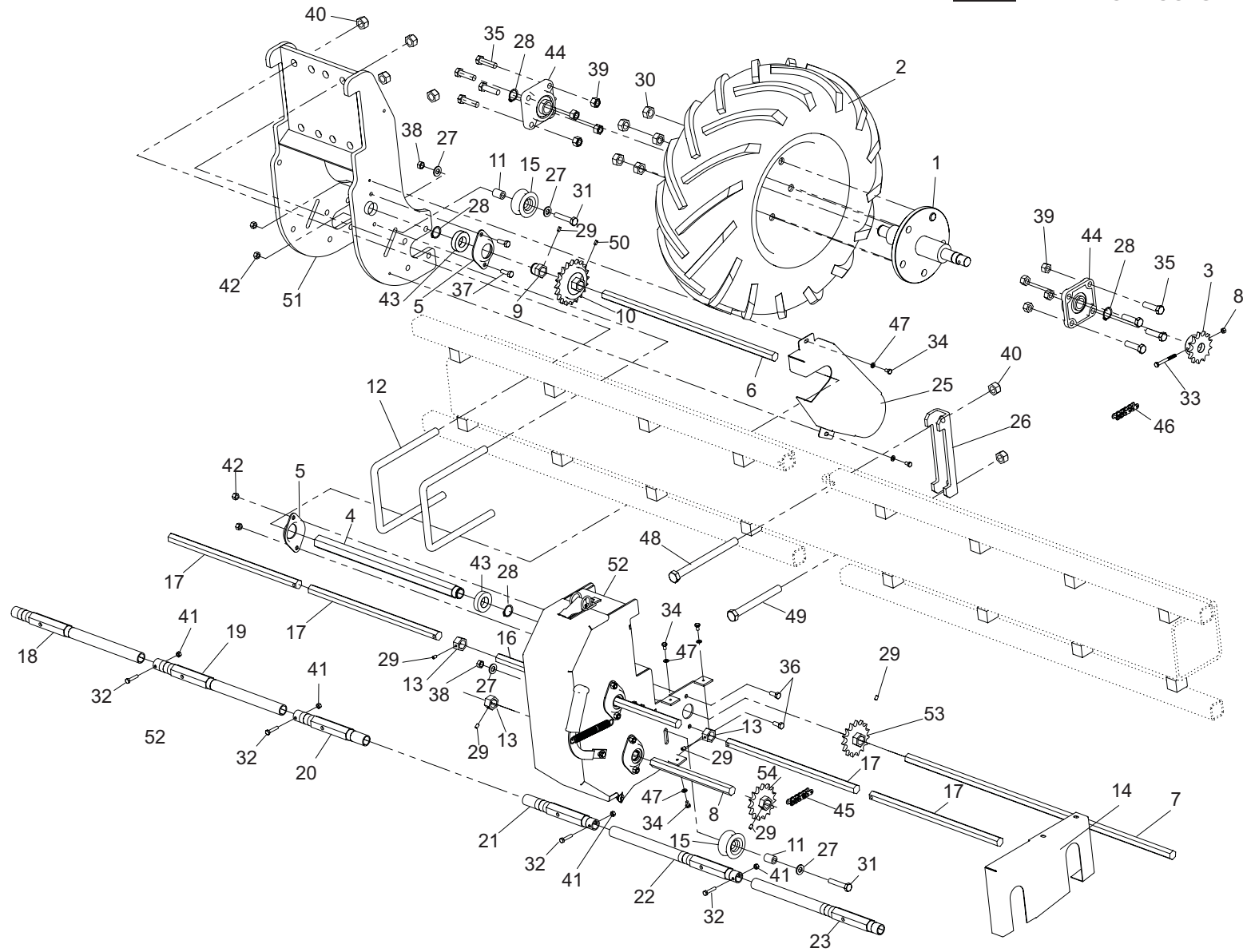




N°	Reference	Machine
1	MO-041702	
2	CO-041700	
2	CO-041735	
2	CO-041749	
3	ME-041732	
4	ME-041710	
5	EE-041701	
6	CT-041705	
6	CT-041746	
7	CT-041706	
7	CT-041745	
8	CT-041736	
9	ME-041711	
10	CO-041701/I	
10	CO-041701/D	
11	ME-041767	
12	EE-011705	
13	ME-041738	
14	PX-041771	
15	PL-051700	
16	CT-041737	V250 -V280
16	CT-041733	T300 7F70
16	CT-041736	T250 6F75
16	CT-041715	FIJA 250
16	CT-041720	FIJA 300
16	CT-041724	FIJA 350
16	CT-041722	FIJA 410
16	CT-041726	FIJA 450

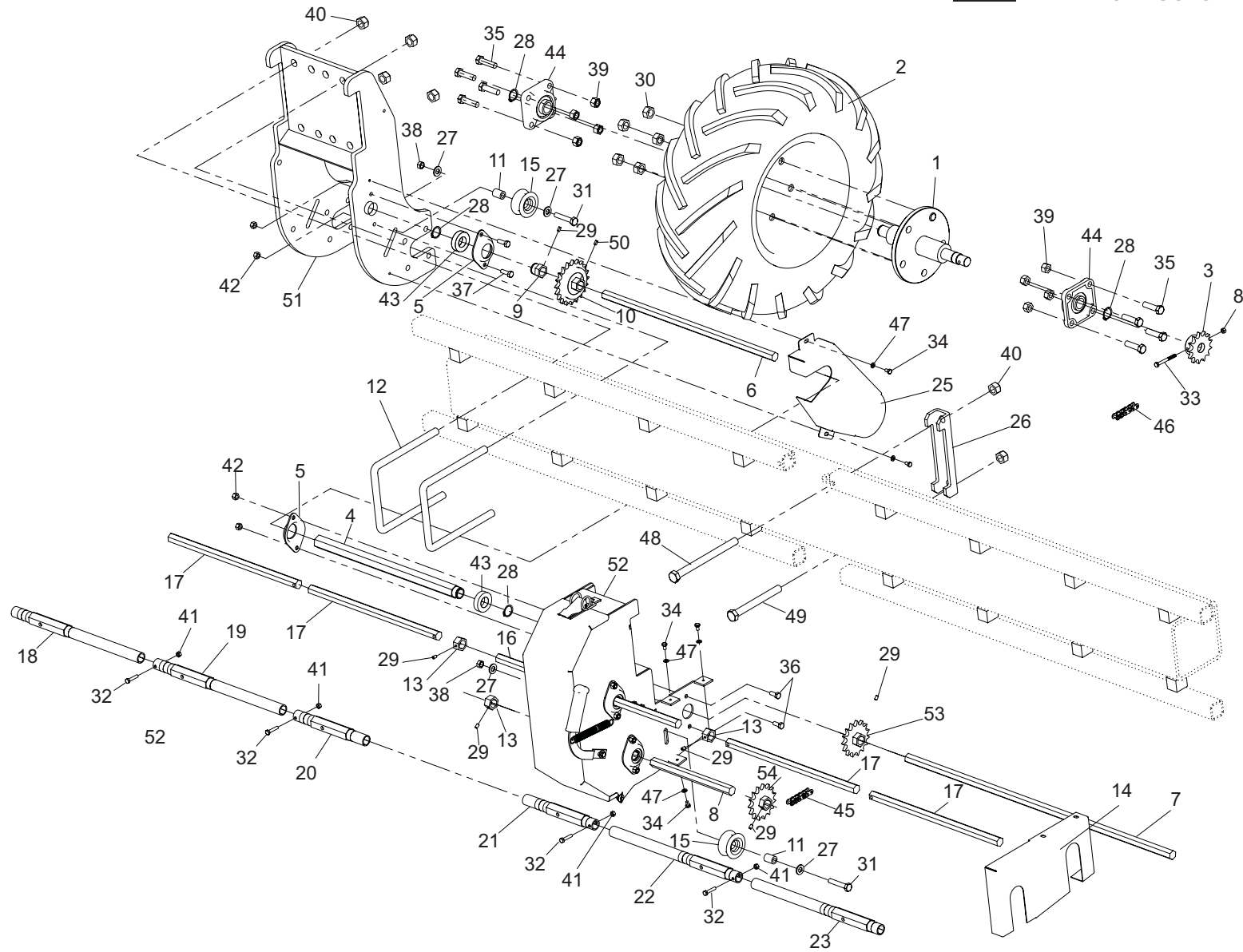


N°	Reference	Machine
16	CT-041723	FIJA 600
16	CT-041717	T300 6F75
17	TA-041718	V250V280
17	TA-041713	T300 7F70
17	TA-041714	T250 6F75
17	TA-041715	T250 6F75
18	ME-041763	V250V280
18	ME-041753	T300 7F70
18	ME-041754	T250 6F75
18	ME-041721	FIJA
18	ME-041753	T300 6F75
19	ME-041723	V250V280
19	ME-041754	T300 7F70
19	ME-041759	T250 6F75
19	ME-041721	FIJA
19	ME-041754	T300 6F75
20	ME-041722	V250V280
20	ME-041755	T300 7F70
20	ME-041760	T250 6F75
20	ME-041721	FIJA
20	ME-041758	T300 6F75
21	ME-041720	V250V280
21	ME-041721	T300 7F70
21	ME-041761	T250 6F75
21	ME-041721	FIJA
21	ME-041753	T300 6F75
22	ME-041719	V250V280
22	ME-041756	T300 7F70

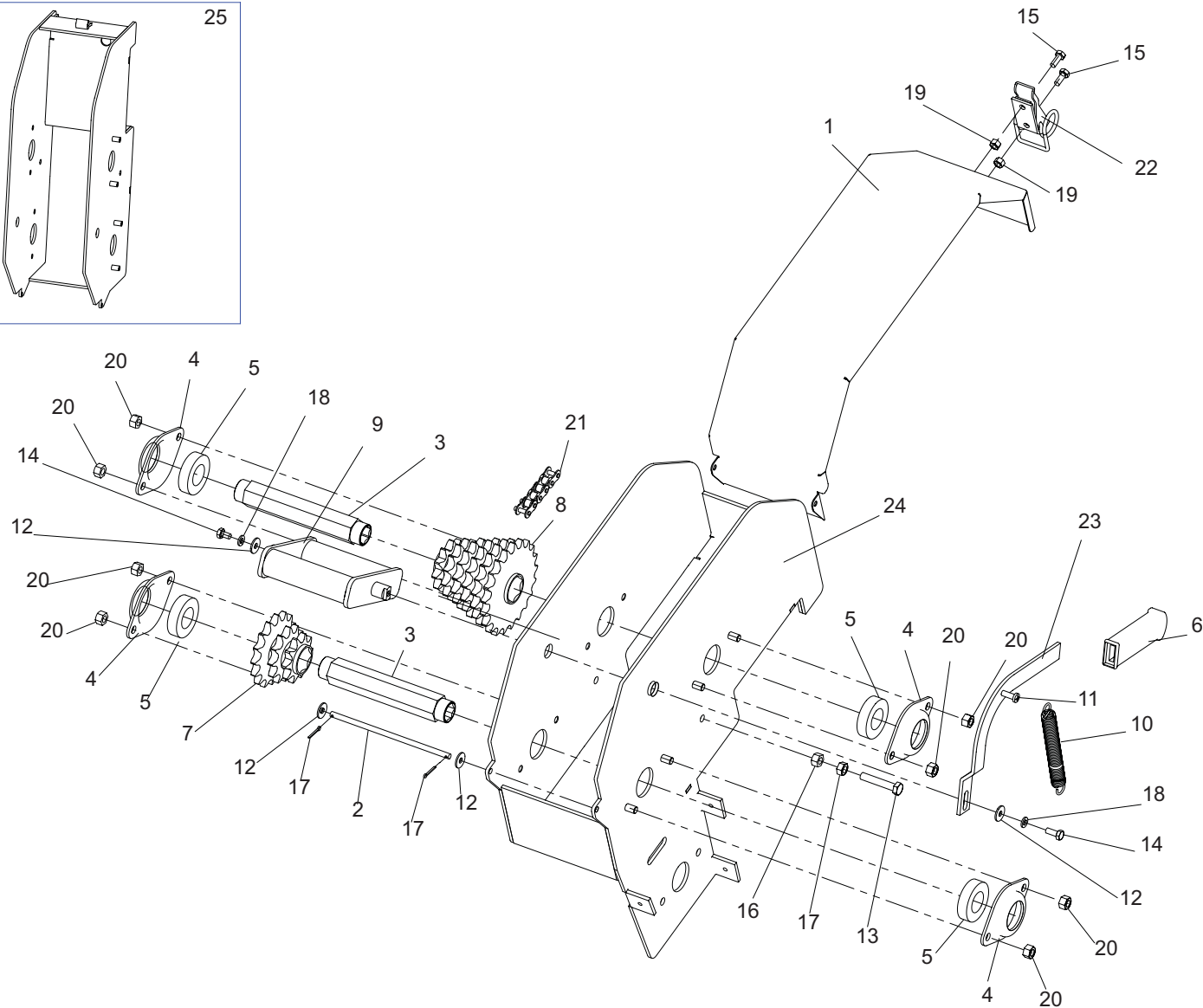
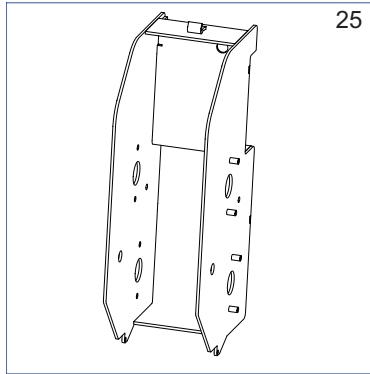




N°	Reference	Machine
22	ME-041762	T250 6F75
22	ME-041721	FIJA
22	ME-041757	T300 6F75
23	ME-041718	V250V280
23	ME-041757	T300 7F70
23	ME-041758	T250 6F75
23	ME-041721	FIJA
23	ME-041758	T300 6F75
23	ME-041758	T300 7F70
24	ME-041768	
25	PX-041763/D	
25	PX-041763-I	
26	PX-011711	
27	125 10 BI	
28	471-25	
29	916 6X6 BI	
30	917 16-150 BI	
31	931 10x55 BI	
32	931 6x30 BI	
33	931 6X60 BI	
34	933 6X10 BI	
35	933 12X45 8.8 BI	
36	933 8x20 BI	
37	933 8x25 BI	
38	985 10	
39	985 12	
40	985 16	
41	985 6	

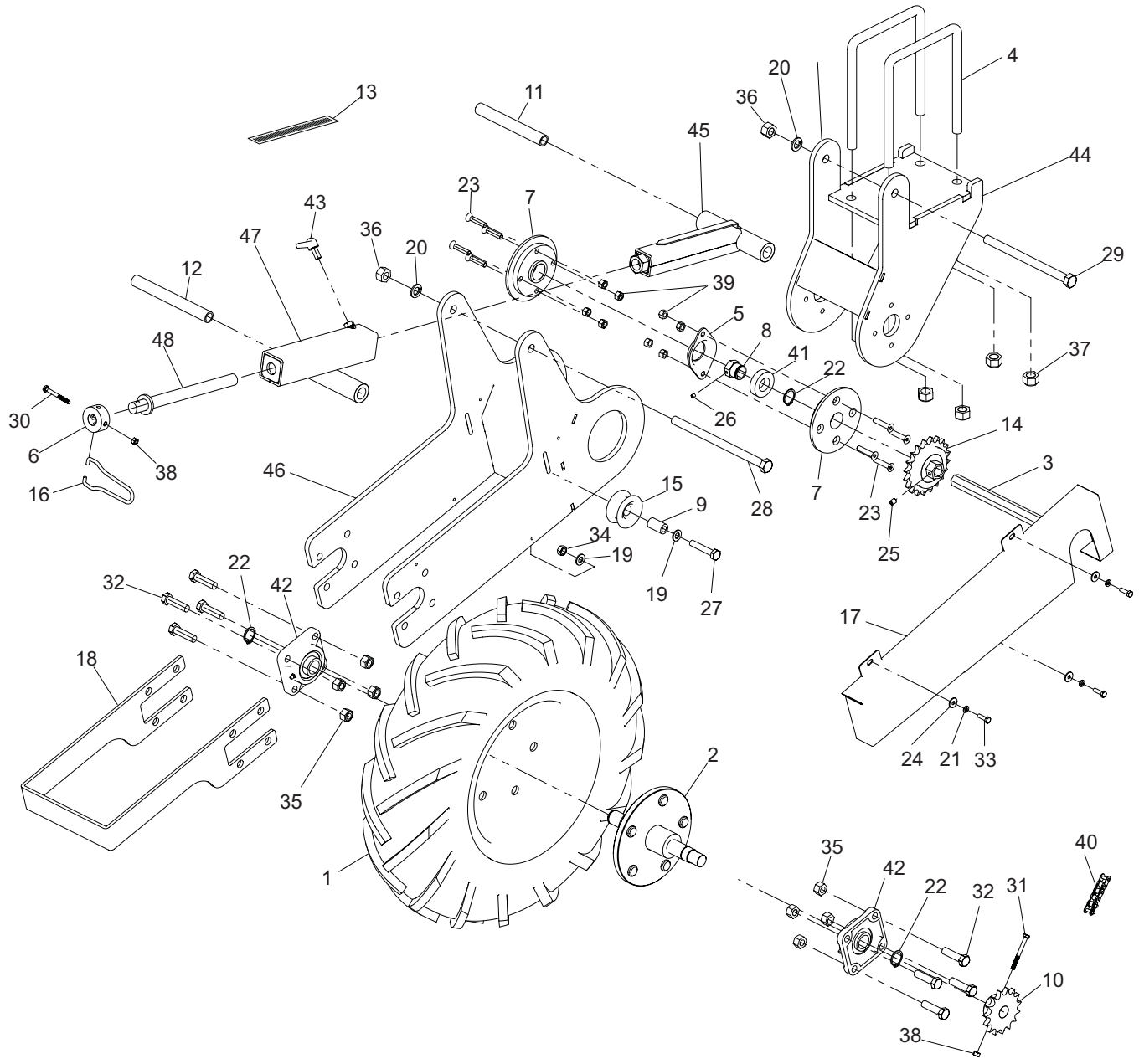






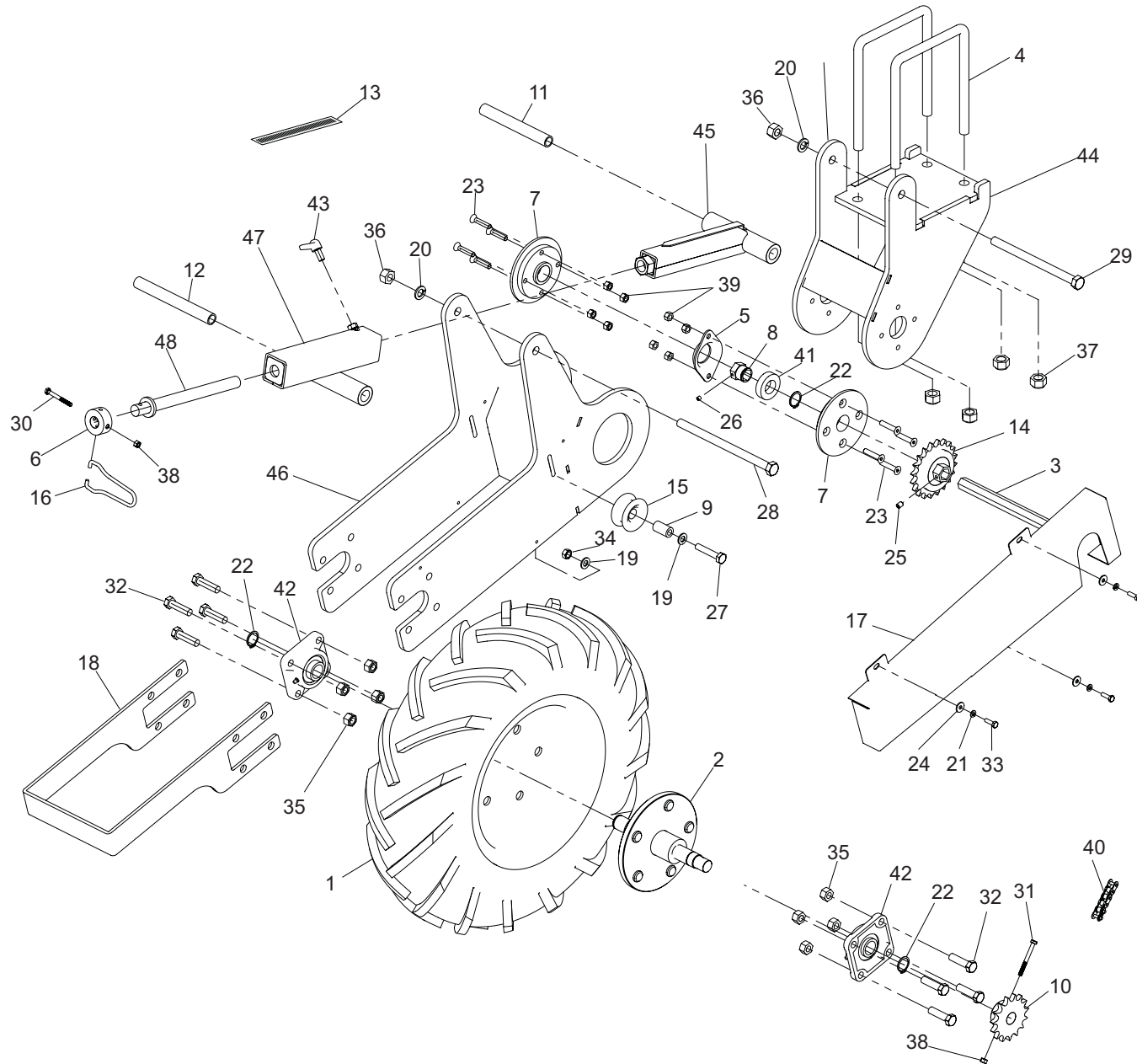
<b>N°</b>	<b>Reference</b>	
1	PX-041738	
2	TA-041702	
3	ME-041726	
4	EE-041701	
5	FE-600047	
6	FE-614005	
7	CO-041706	
8	CO-041707	
9	CO-041712	
10	ML-041700	
11	7985 6X20	
12	9021 6 BI	
13	931 8X45 BI	
14	933 6X10 BI	
15	933 6X15 BI	
16	934 8 BI	
17	94 2X20 BI	
18	125 6 BI	
19	985 6 BI	
20	985 8	
21	FE-605035	
22	MO-1638	
23	CO-041705	
24	CO-041708	
25	CO-041900	

**16** ROUE TRANSMISSION,  
REGLAGE EN HAUTEUR



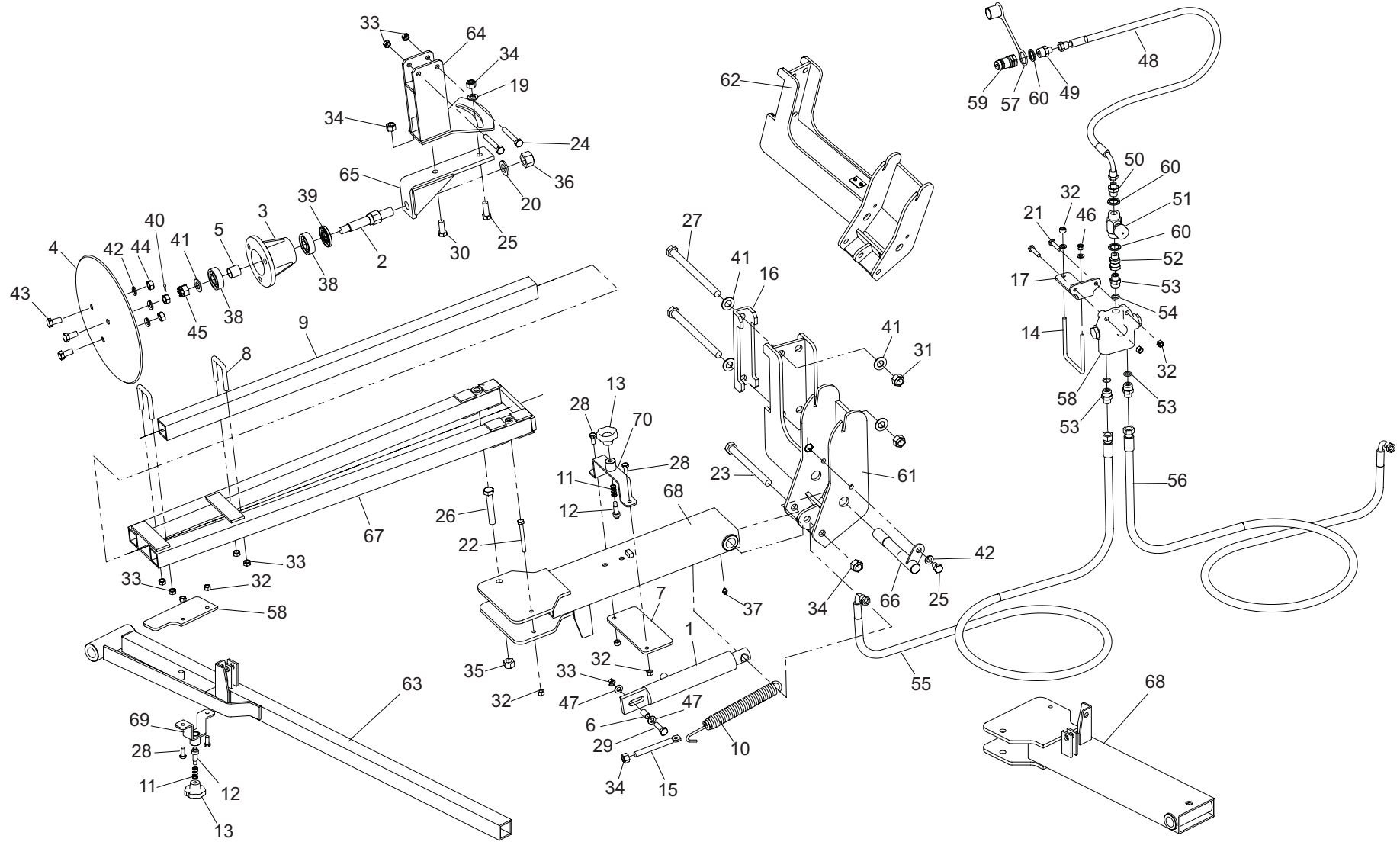
N°	Reference	
1	CO-041734/D	
1	CO-041734/I	
2	MO-041717	
3	CT-041721	
3	CT-041727	
4	EE-011705	
5	EE-041701	
6	ME-011900	
7	ME-011901	
9	ME-041711	
8	ME-041767	
10	ME-041905	
11	ME-101900	
12	ME-101901	
13	AD-071901	
14	CO-041701/D	
14	CO-041701/I	
15	PL-051700	
16	PX-051737	
17	PX-101906-D	
17	PX-101906/I	
18	PX-101907	
19	125 10 BI	
20	127 14 BI	
21	127 6 BI	
22	471-25	
23	7991 8X40 BI	
24	9021 6 BI	

# 16 ROUE TRANSMISSION, REGLAGE EN HAUTEUR

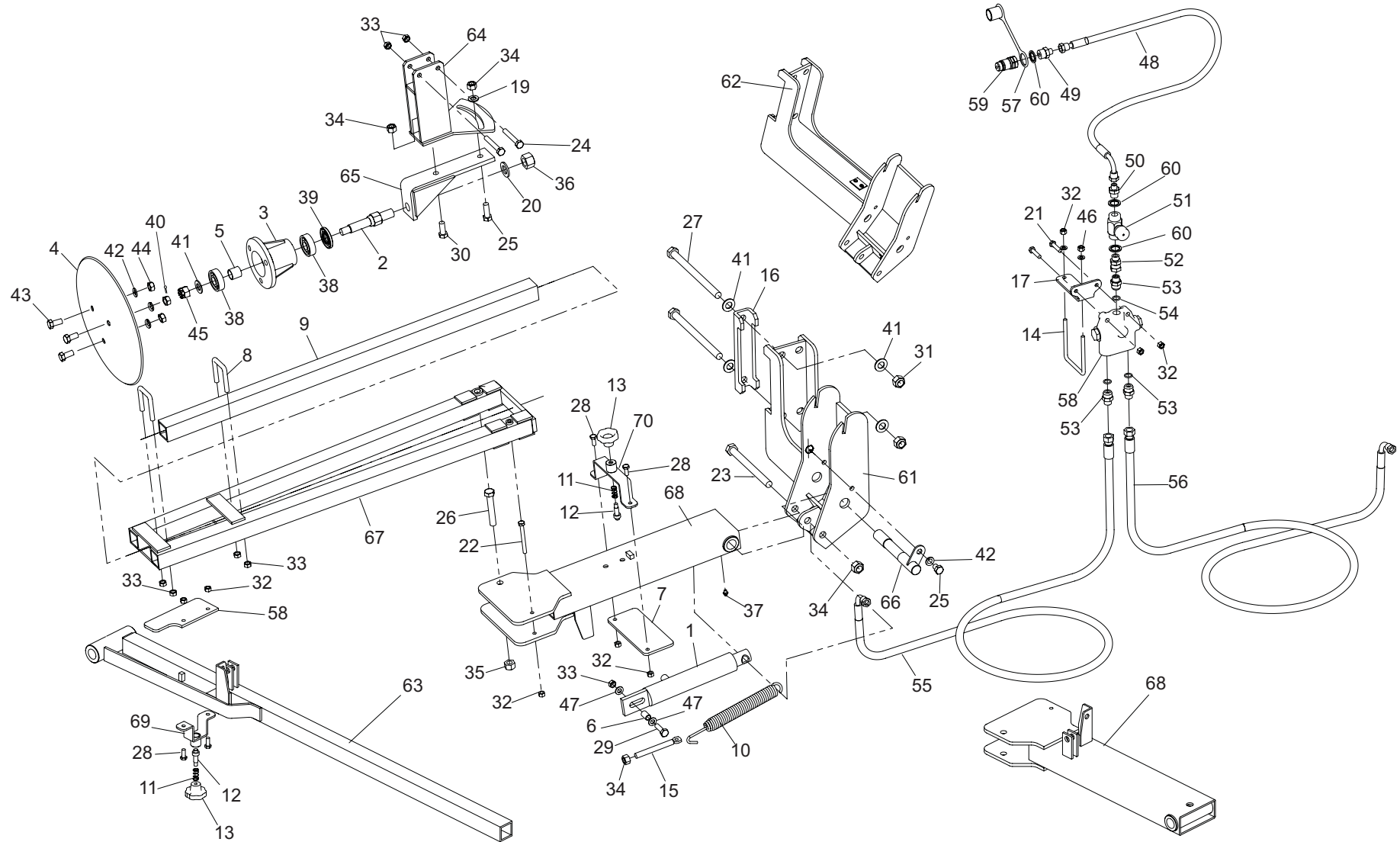




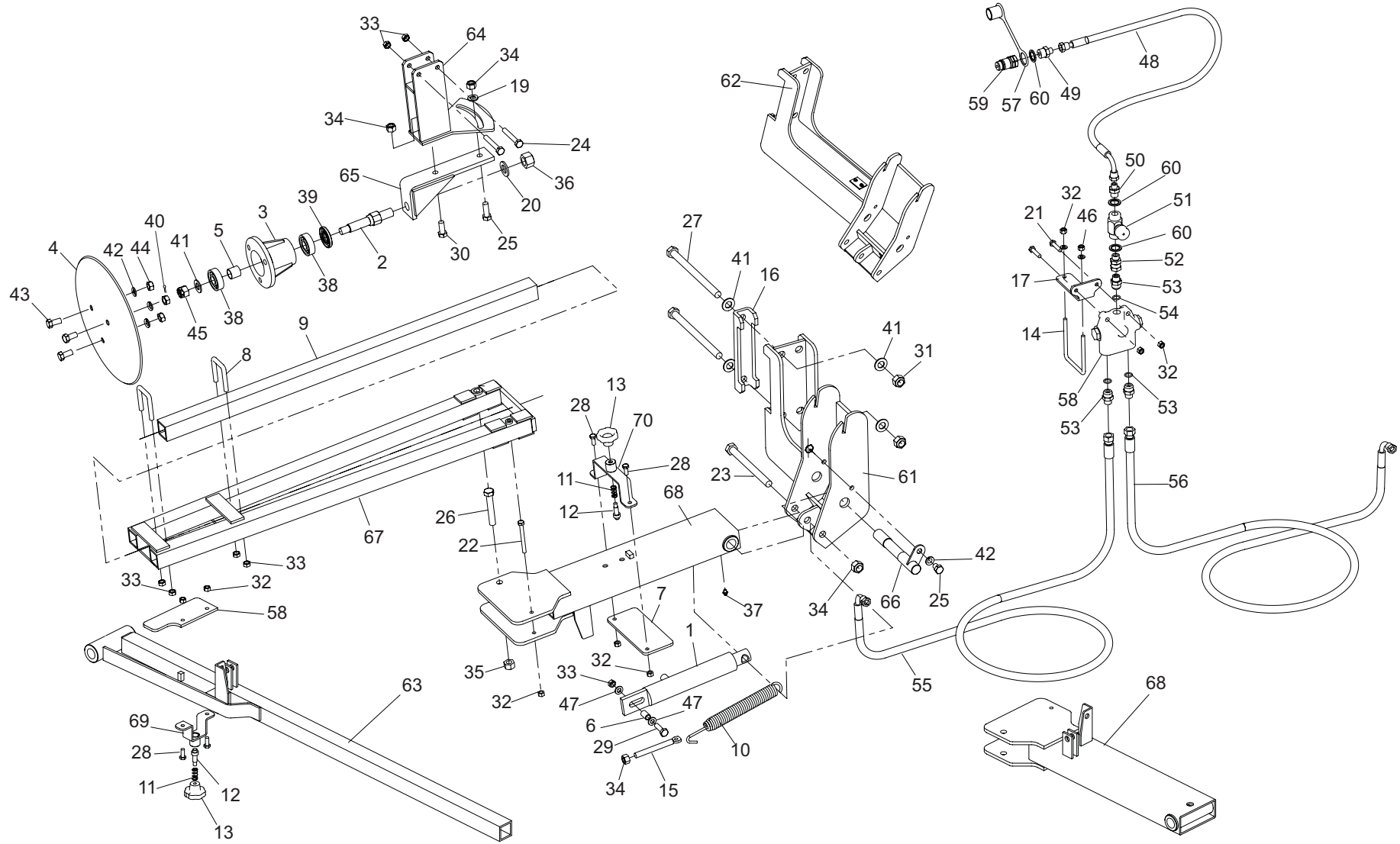
N°	Reference	
25	913 8X10 BI	
26	916 6X6 BI	
27	931 10x55 BI	
28	931 14x200 BI	
29	931 14x220 BI	
30	931 6X55 BI	
31	931 6X60 BI	
32	933 12X45 8.8 BI	
33	933 6x20 BI	
34	985 10	
35	985 12	
36	985 14	
37	985 16	
38	985 6	
39	985 8	
40	FE-605049	
41	FE-600047	
42	FE-600052	
43	FE-614016	
44	CO-101900	
45	CO-101902	
46	CO-101901	
47	CO-101903	
48	CO-101904	



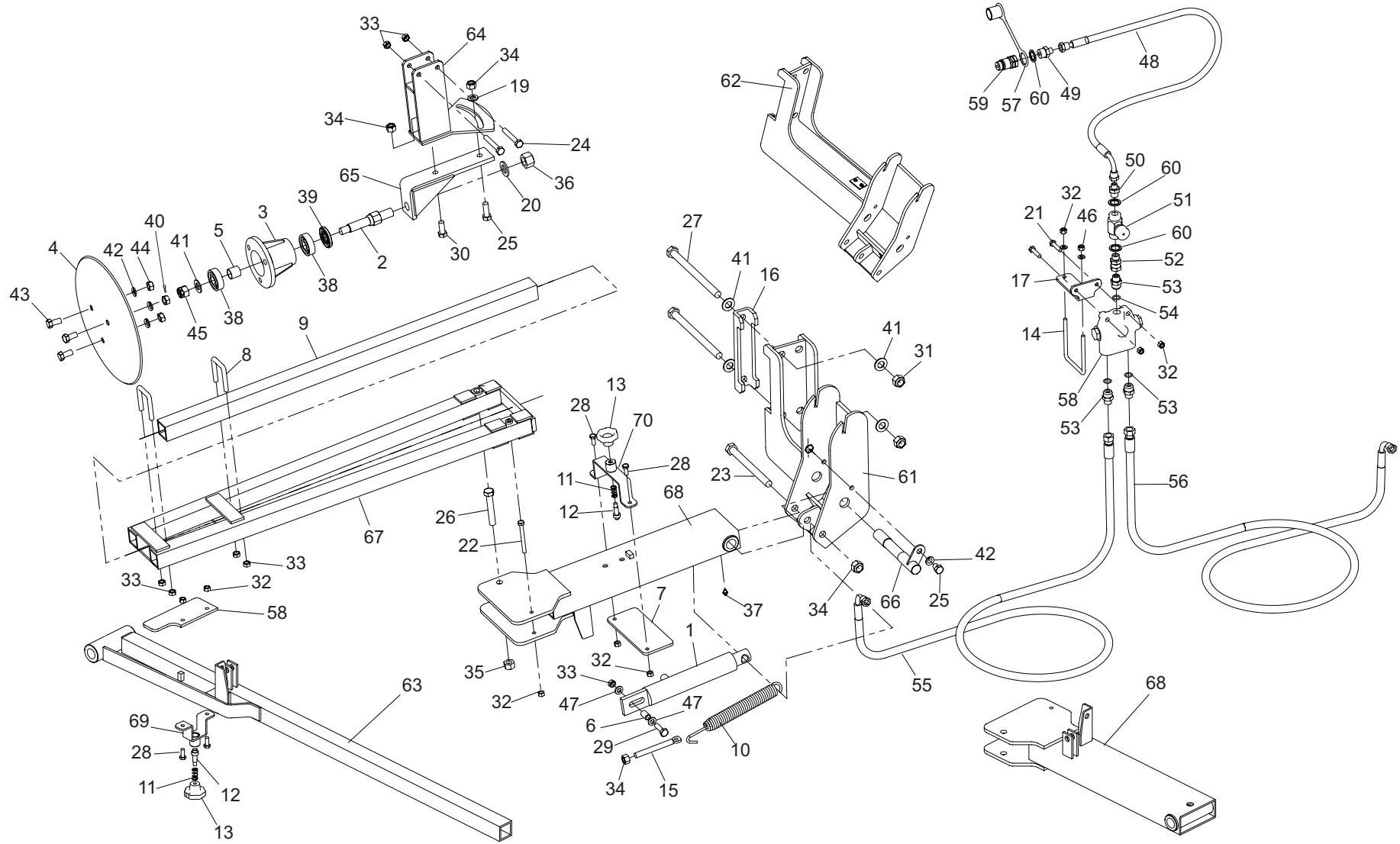
N°	Reference	
1	CO-101700	
2	ME-101700	
3	B07-30	
4	EE-100217	
5	CT-100800	
6	ME-101701	
7	PX-101707	
8	EE-101701	
9	CT-101703	
9	CT-101714	
9	CT-101715	
10	ML-050201	
11	ML-101700	
12	ME-101713	
13	PL-101700	
14	EE-071700	
15	T05-09	
16	PX-011711	
17	PX-071701	
18	PX-101701	
19	125 12 BI	
20	125 20 BI	
21	931 8x35 BI	
22	931 8X80 BI	
23	931 16X180 10.9 BI	
24	931 10X70 8 BI	
25	931 12X35 8 BI	
26	931 14X90 8.8 BI	



<b>N°</b>	<b>Reference</b>	
27	931 16X220 8 BI	
28	933 8X20 BI	
29	933 10X35 BI	
30	933 12X30 8 BI	
31	985 16	
32	985 8	
33	985 10	
34	985 12	
35	985 14	
36	985 20	
37	FE-603001	
38	FE-600005	
39	FE-601000	
40	94 3,5X28 BI	
41	125 16 BI	
42	127 12 BI	
43	933 12X25 BI	
44	934 12 BI	
45	935 16 BI	
46	125 8 BI	
47	125 10 BI	
48	HI-700045	
49	HI-704008	
50	HI-704029	
51	HI-706002	
52	HI-704017	
53	HI-704030	
54	3770 14X2,5	

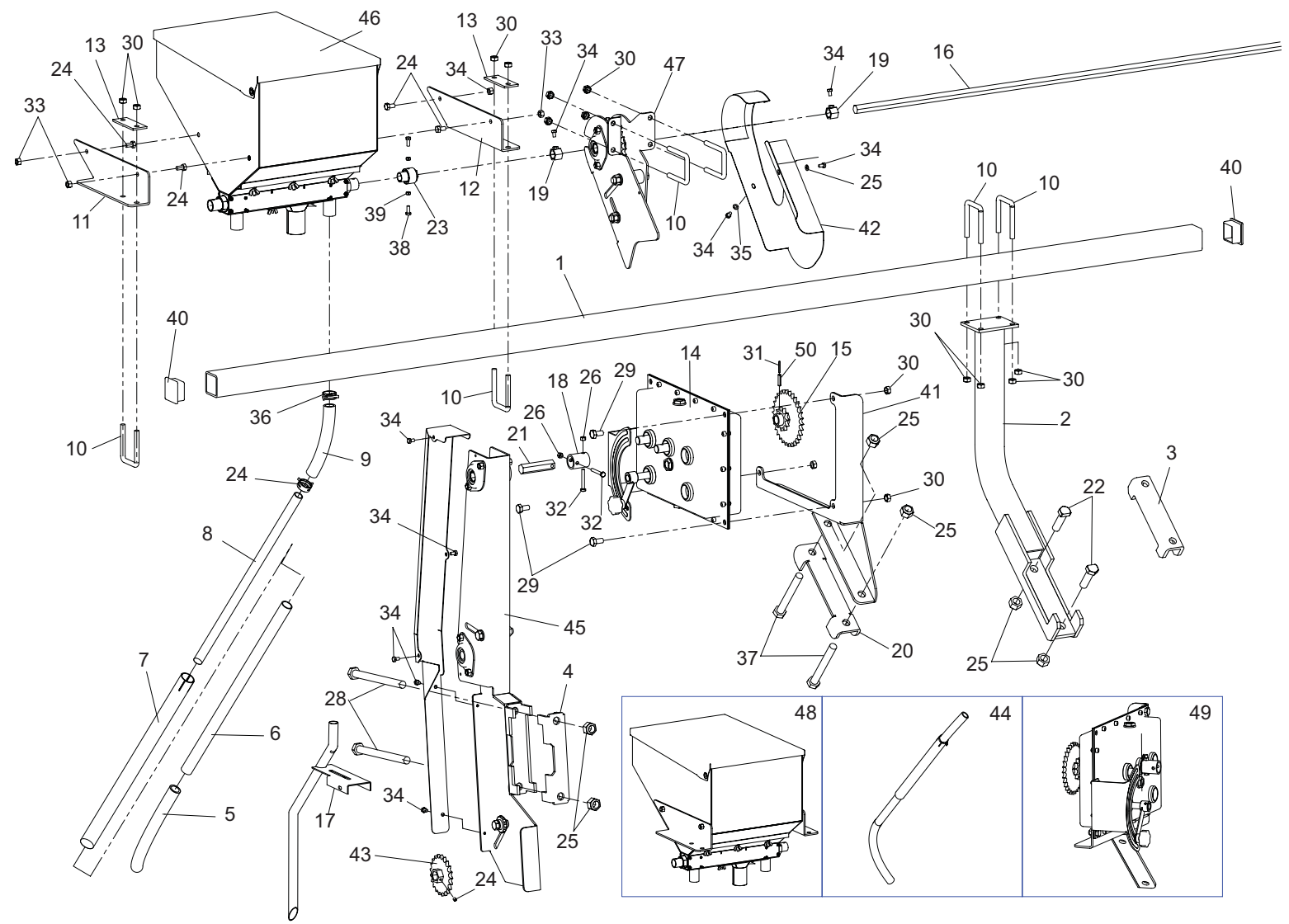


<b>N°</b>	<b>Reference</b>	<b>Machine</b>
55	HI-700088	F255
55	HI-700089	F300
55	HI-700092	F350
55	HI-700085	F410,T2505,T300,V280
55	HI-700086	F450,T300S
55	HI-700102	F600,V300/8
56	HI-700089	F255
56	HI-700092	F300
56	HI-700085	F350
56	HI-700086	F410,T250S,T300,V280
56	HI-700094	F450,T300S
56	HI-700103	F600,V300/8
57	HI-707001	
58	HI-706013	
59	HI-701000	
60	HI-705003	
61	PS-101700/D	
61	PS-101700/I	
62	PS-101708/D	
62	PS-101708/I	
63	PS-101701/D	
63	PS-101701/I	
64	PS-101702	
65	PS-101703/D	
65	PS-101703/I	
66	PS-101304	
67	PS-101705/D	
67	PS-101705/I	

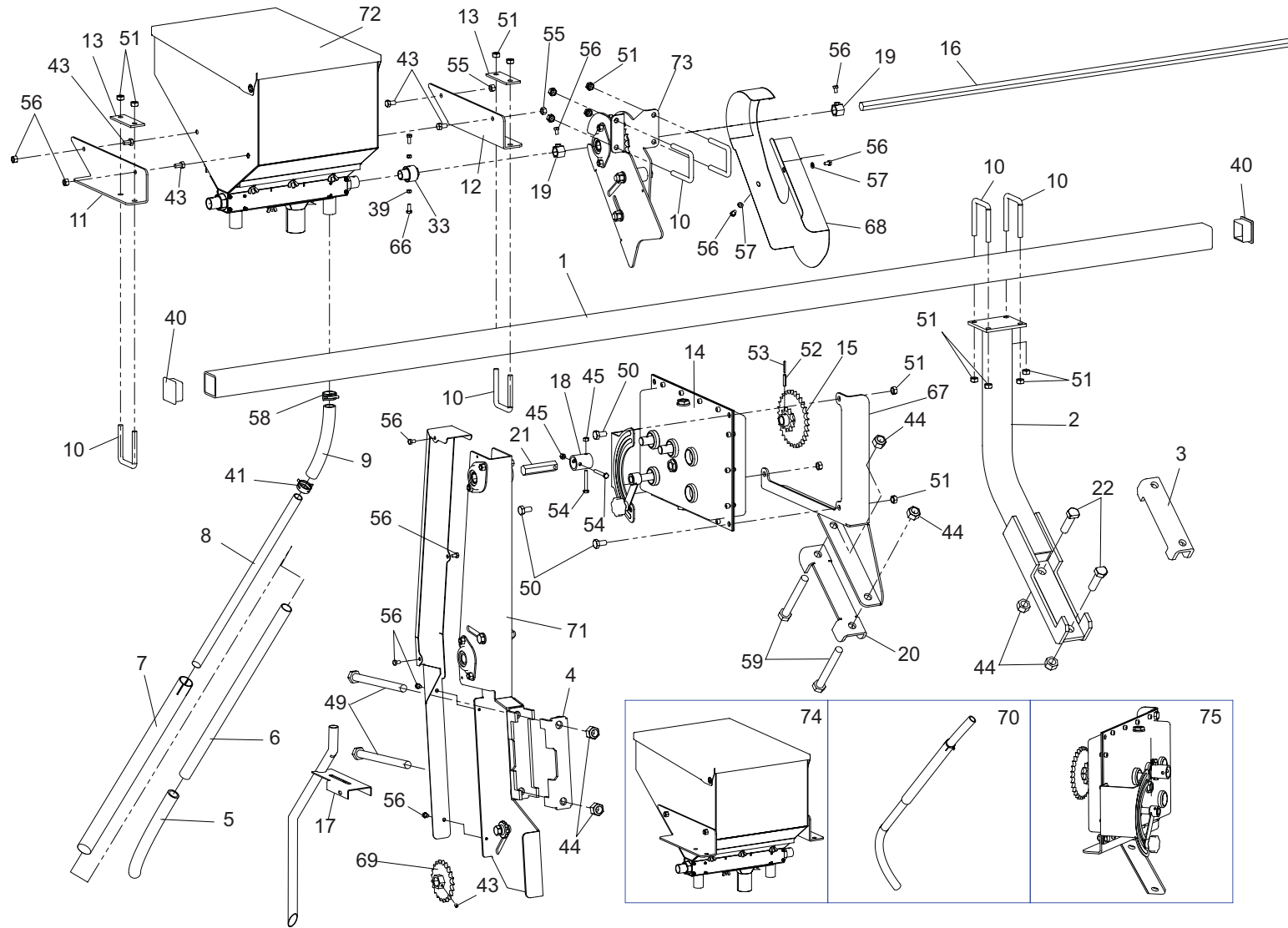




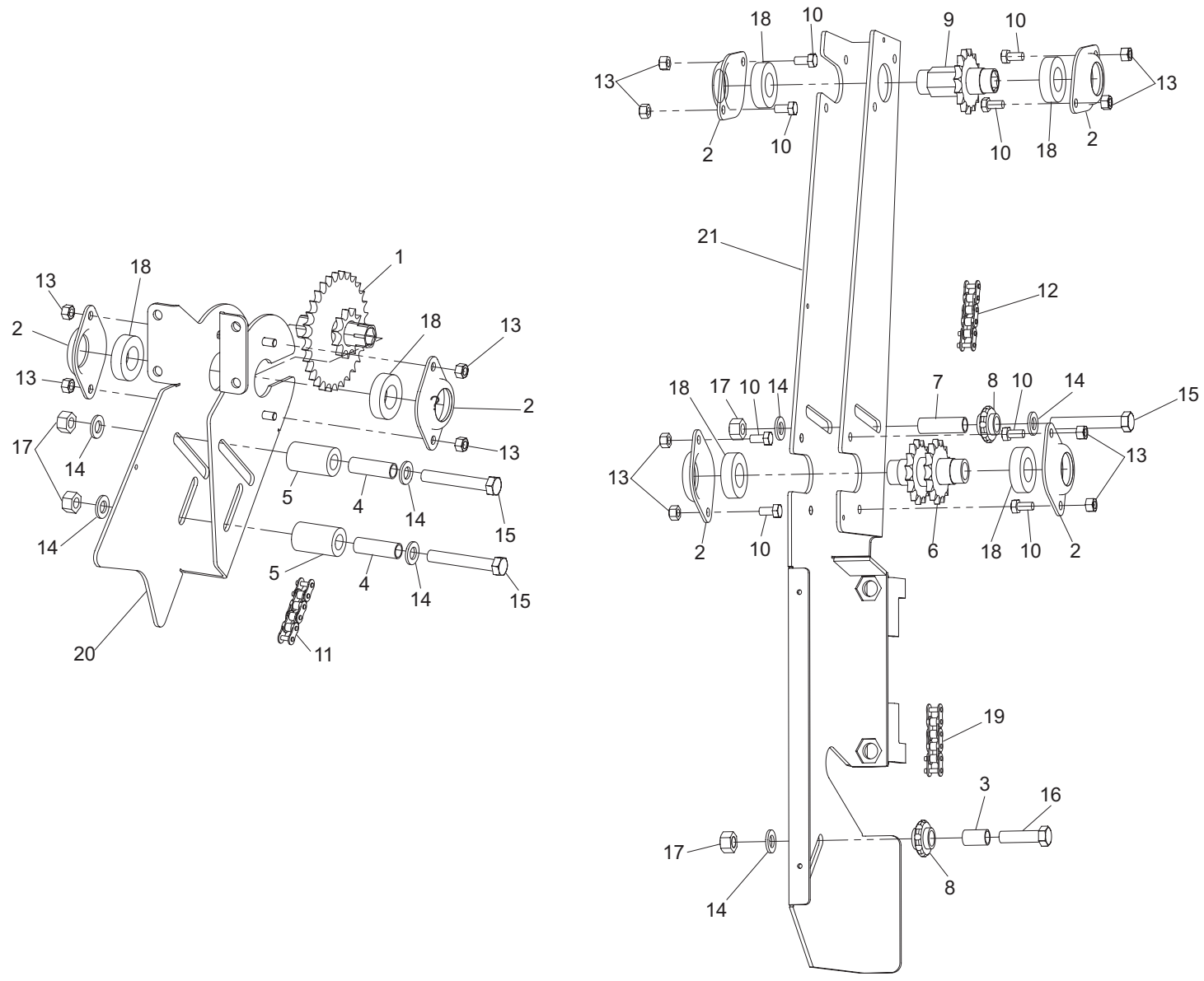




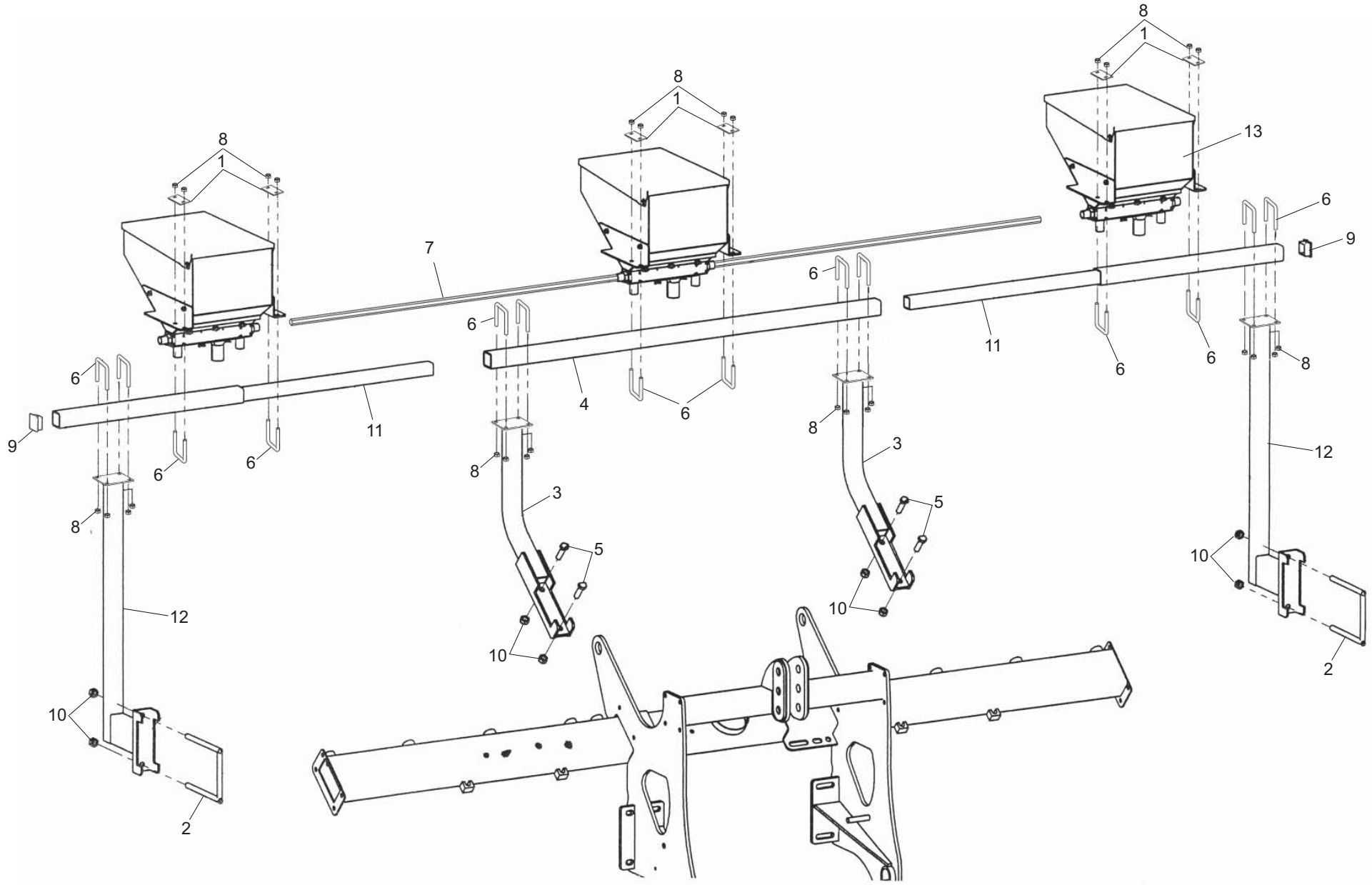
<b>N°</b>	<b>Reference</b>	
1	CT-101707	
1	CT-101708	
1	CT-101716	
2	PS-011736	
3	PX-101709	
4	PX-011712	
5	VA-101705	
6	VA-101703	
7	VA-101704	
8	VA-101702	
9	VA-101701	
10	EE-101717	
11	PX-101703/D	
12	PX-101703/I	
13	TA-101709	
14	CO-041727	
15	CO-041744	
16	CT-041744	
16	CT-041747	
17	CO-051707/D	
17	CO-051707/I	
18	ME-041779	
19	CO-041746	
20	PX-041775	
21	TA-041723	
22	ME-011729	
23	CO-041750	
24	FE-614013	



<b>N°</b>	<b>Reference</b>	
25	985 16	
26	985 6	
27	931 16X100 BI	
28	931 16x210 BI	
29	933 10X20 BI	
30	985 10 BI	
31	1481 3X25 BI	
32	931 6X45 BI	
33	985 8	
34	933 6X10 BI	
35	125 6 BI	
36	FE-614014	
37	931 16X130	
38	933 6X15 BI	
39	934 6 BI	
40	CN-817021	
41	PS-041713	
42	PS-041716	
43	PS-041717	
44	MO-101708	
45	MO-041742	
46	CO-021700	
47	MO-041741	
48	MO-021700	
49	MO-041749	
50	1481 6X25 BI	

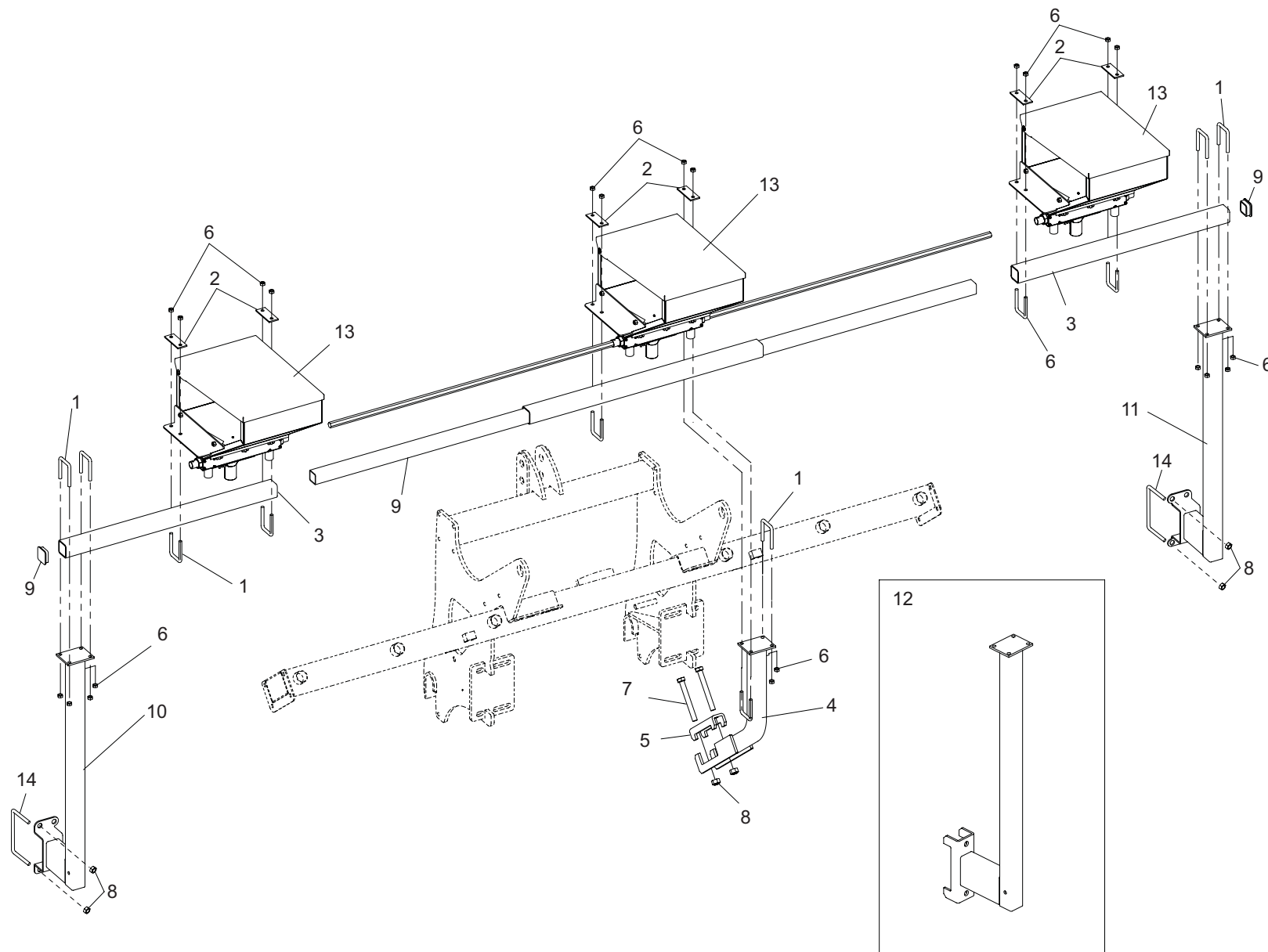


<b>N°</b>	<b>Reference</b>	
1	CO-041743	
2	EE-041701	
3	ME-101709	
4	CT-041739	
5	ME-041781	
6	CO-041742	
7	CT-041739	
8	PL-040100	
9	CO-041745	
10	933 8X16 BI	
11	FE-605050	
12	FE-605066	
13	985 8	
14	125 12 BI	
15	931 12X80 BI	
16	933 12X45 BI	
17	985 12	
18	FE-600047	
19	FE-605061	
20	PS-041720	
21	PS-041714	



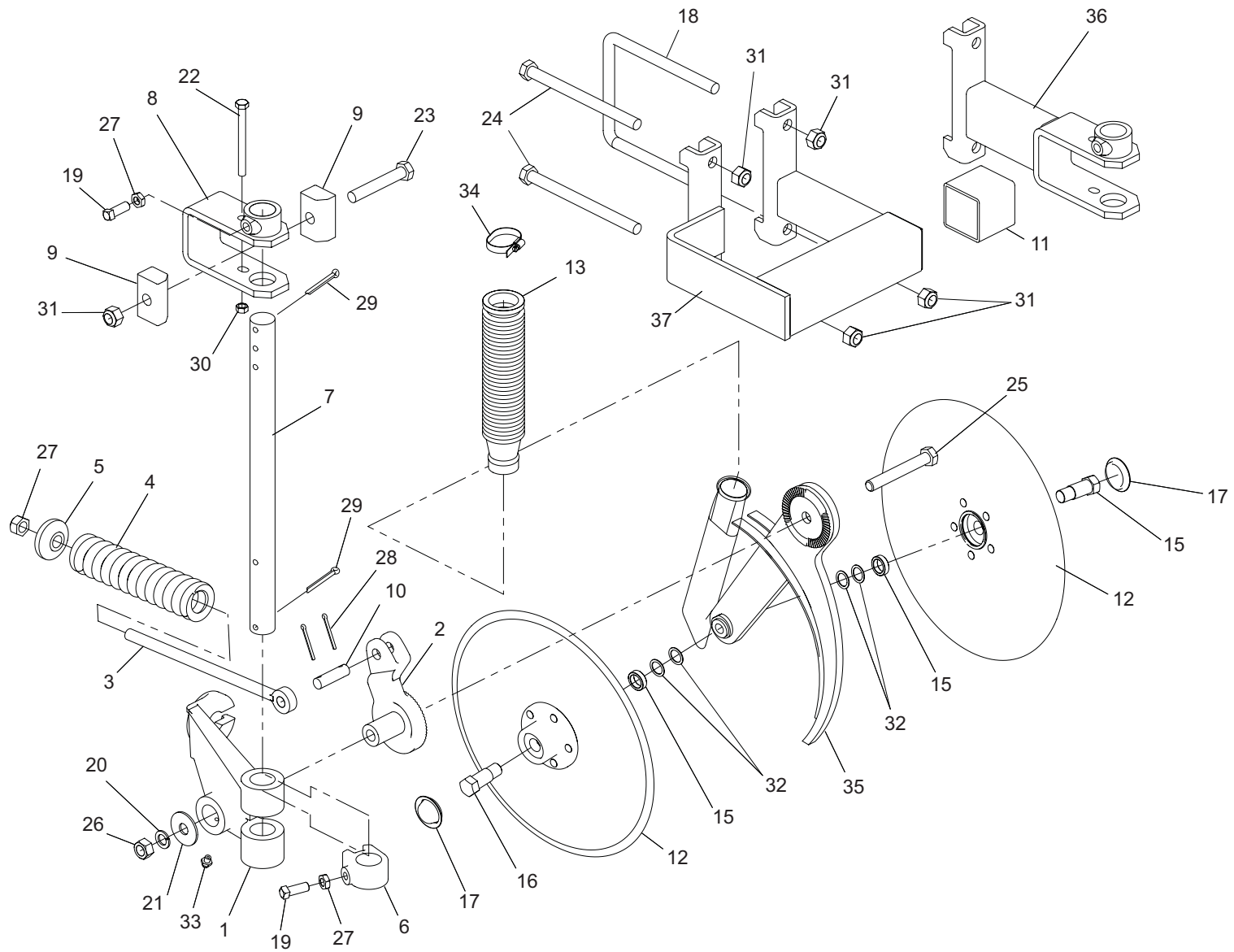


N°	Reference	
1	TA-101709	
2	EE-011705	
3	CO-011701	
4	CT-101719	
5	ME-011729	
6	EE-101717	
7	CT-041750	
8	985 10	
9	CN-817021	
10	985 16	
11	PS-101712	
12	PS-101713	
13	MO-021700	



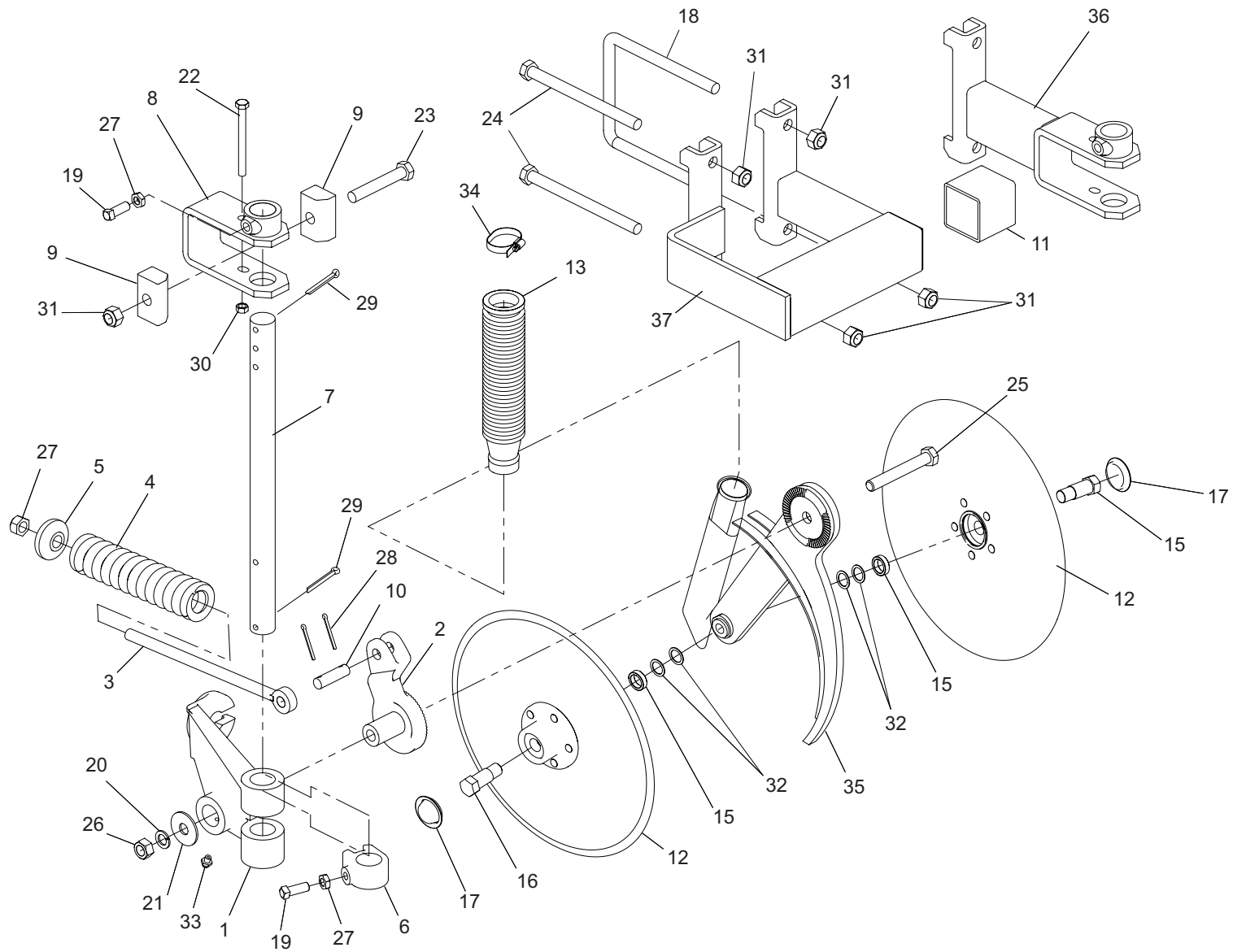
N°	Reference	Machine
1	EE-101717	
2	TA-101709	
3	CT-041751	
4	CO-011701	
5	PX-101709	
6	985 10	
7	931 16x130 BI	
8	985 16	
9	PS-101715	
10	PS-101714-I	V250
11	PS-101714-D	V250
12	PS-101713	T250
13	MO-021700	
14	EE-011705	

## 22 ELEMENT FERTILISEUR À DISQUE

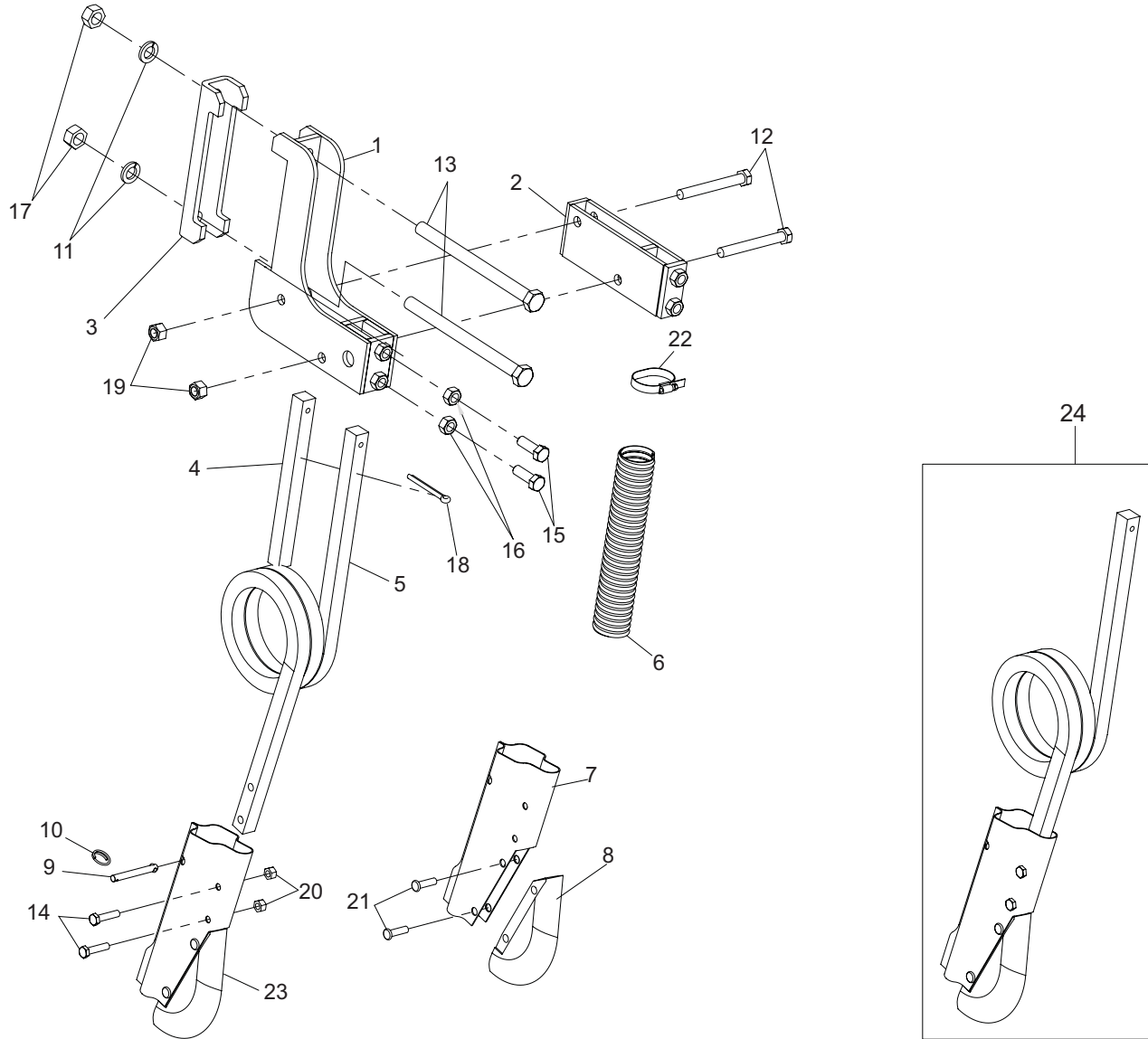


N°	Reference	
1	ME-051739-D	
2	ME-051738	
3	ME-051740	
4	ML-051707	
5	FU-051703	
6	ME-051741	
7	TA-051705	
8	CO-051743	
9	FU-051702	
10	BU-051703	
11	CT-051708	
12	CO-051731	
13	FE-611003	
13	FE-611004	
14	ME-051703	
15	ME-051729	
16	ME-051728	
17	EE-051703	
18	EE-011705	
19	479 W 1/2X32	
20	7980 16 BI	
21	9021 16 BI	
22	931 10x110 BI	
23	931 16x100 BI	
24	931 16x210 BI	
25	931 W 5-8X114	
26	934 W 5-8	
27	936 1-2 BI	

## 22 ÉLÉMENT FERTILISEUR À DISQUE



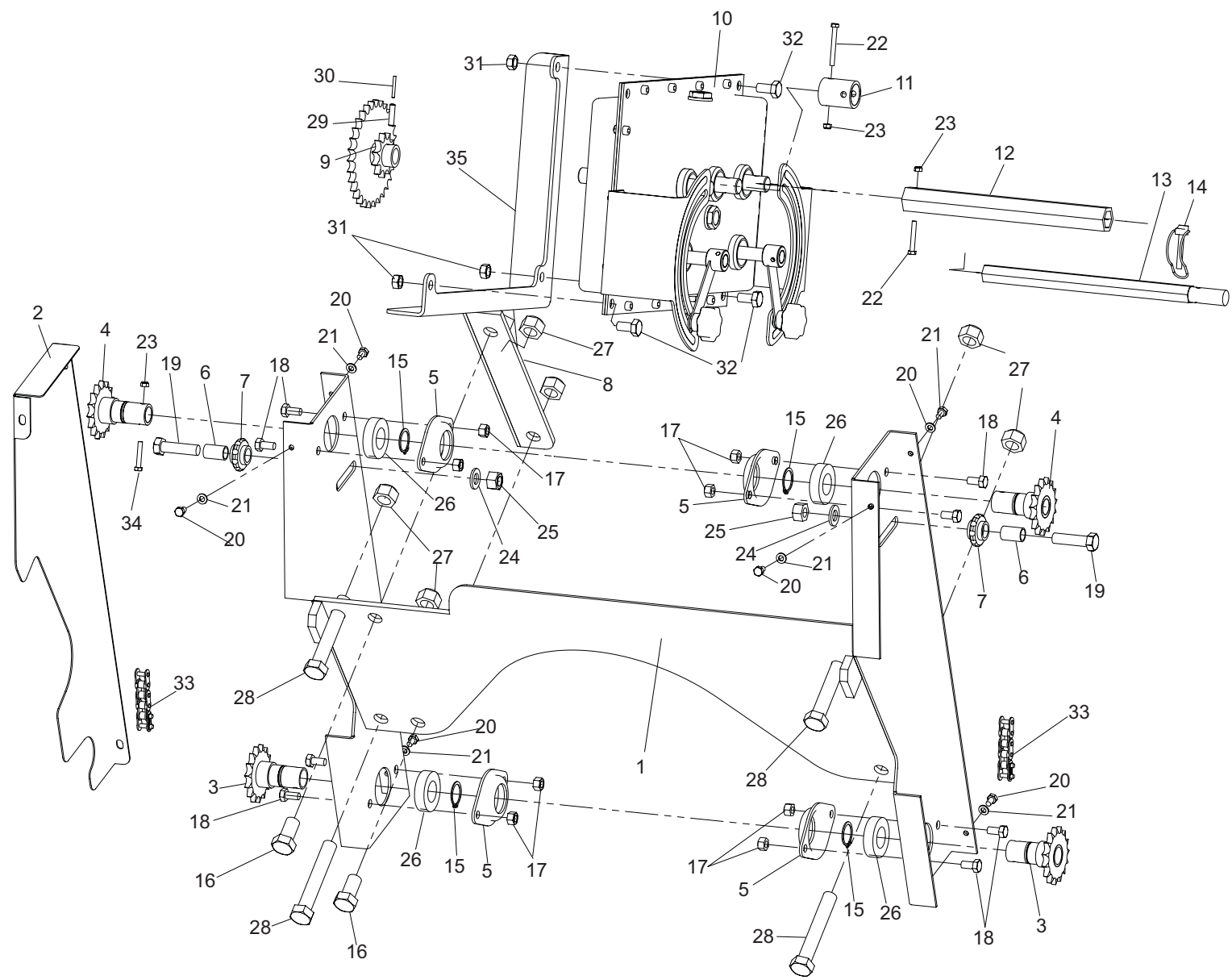






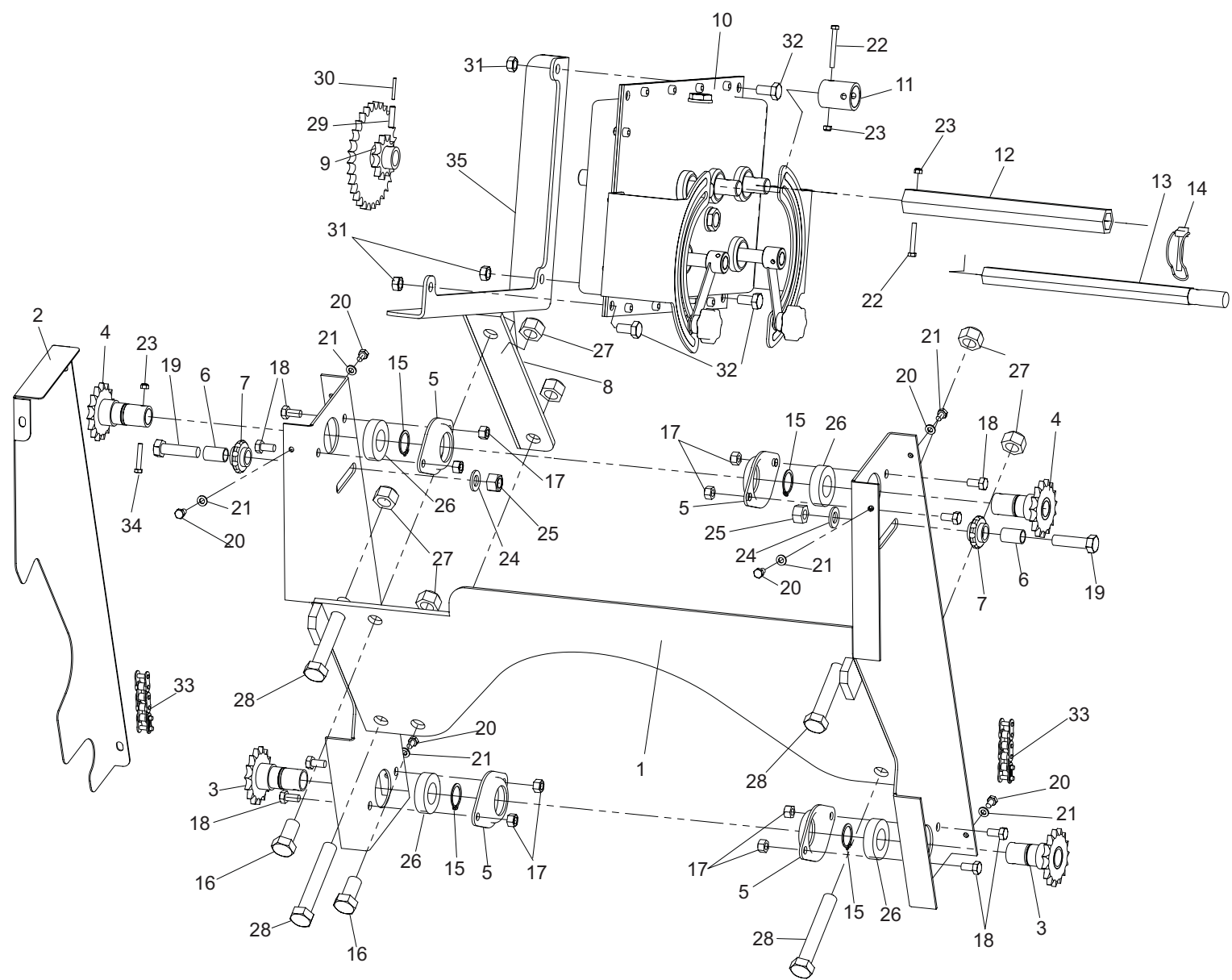
N°	Reference	
1	CO-101702	
2	CO-101703	
3	PX-011711	
4	FO-051701	
5	FO-051700/D	
5	FO-051700/I	
6	MP-907027	
7	MB-51	
8	C07-04	
9	BU-050200	
10	ML-050103	
11	127 16 BI	
12	931 12X100 BI	
13	931 16x210 BI	
14	931 8x35 BI	
15	933 12X35 BI	
16	934 12 BI	
17	934 16 BI	
18	94 6,3x60 BI	
19	985 12	
20	985 8	
21	FE-602000	
22	FE-606001	
23	MO-051724	
24	MO-051723/D	
24	MO-051723/I	

# 24 TRANSMISSION FERTILISEUR

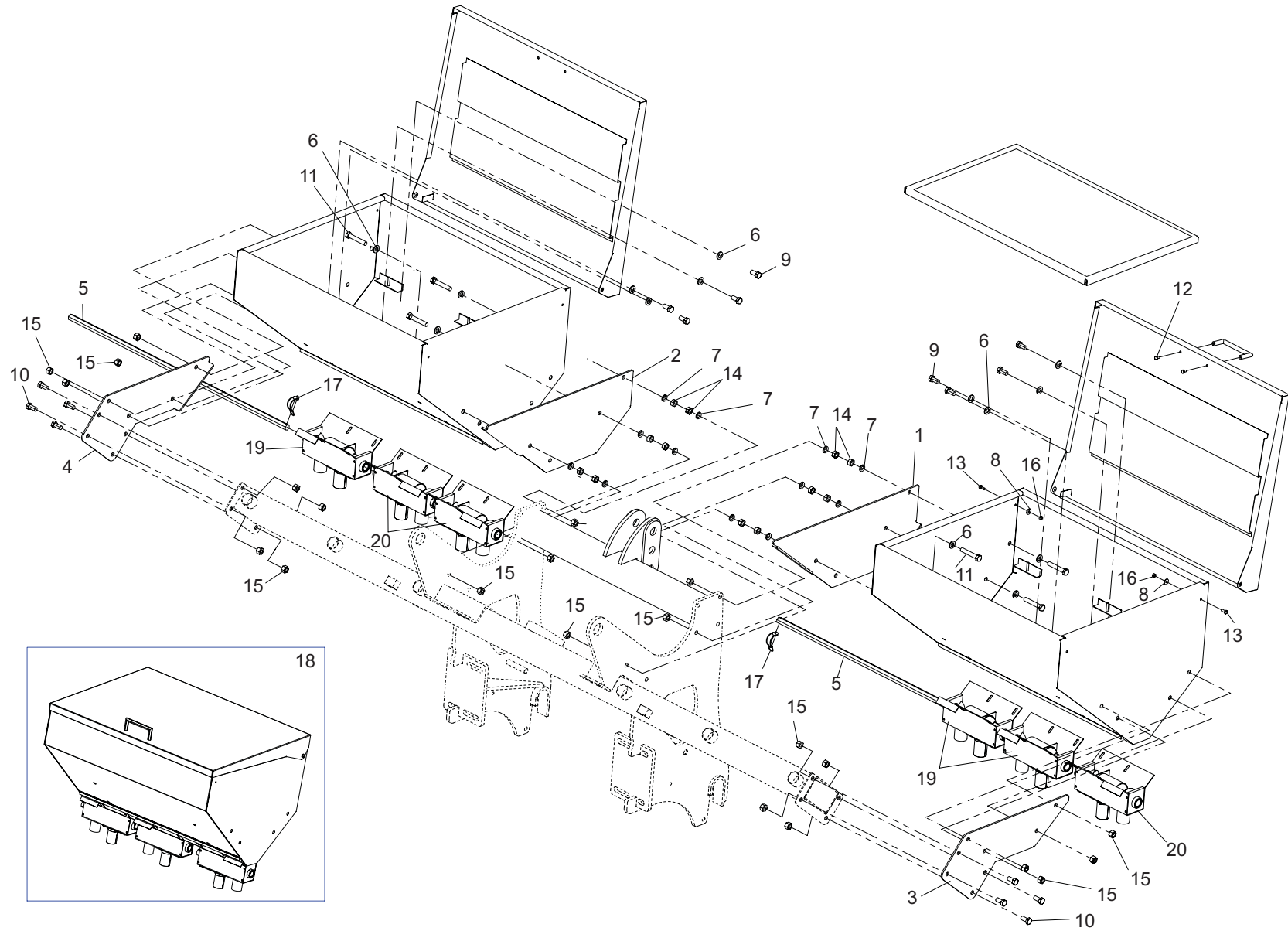


N°	Reference	
1	PS-041715	
2	PX-041735/I	
3	CO-041713	
4	CO-041714	
5	EE-041701	
6	ME-101709	
7	PL-040100	
8	PX-041725	
9	CO-051744	
10	CO-041726	
10	CO-041725	
11	ME-041779	
12	TA-041711	
13	ME-041740	
14	FE-610013	
15	471-25	
16	933 16X30 BI	
17	985 8	
18	933 8X16 BI	
19	933 12X45 BI	
20	933 6X10 BI	
21	125 6 BI	
22	933 5X35 BI	
23	985 5	
24	125 12 BI	
25	985 12	
26	FE-600047	
27	985 16	

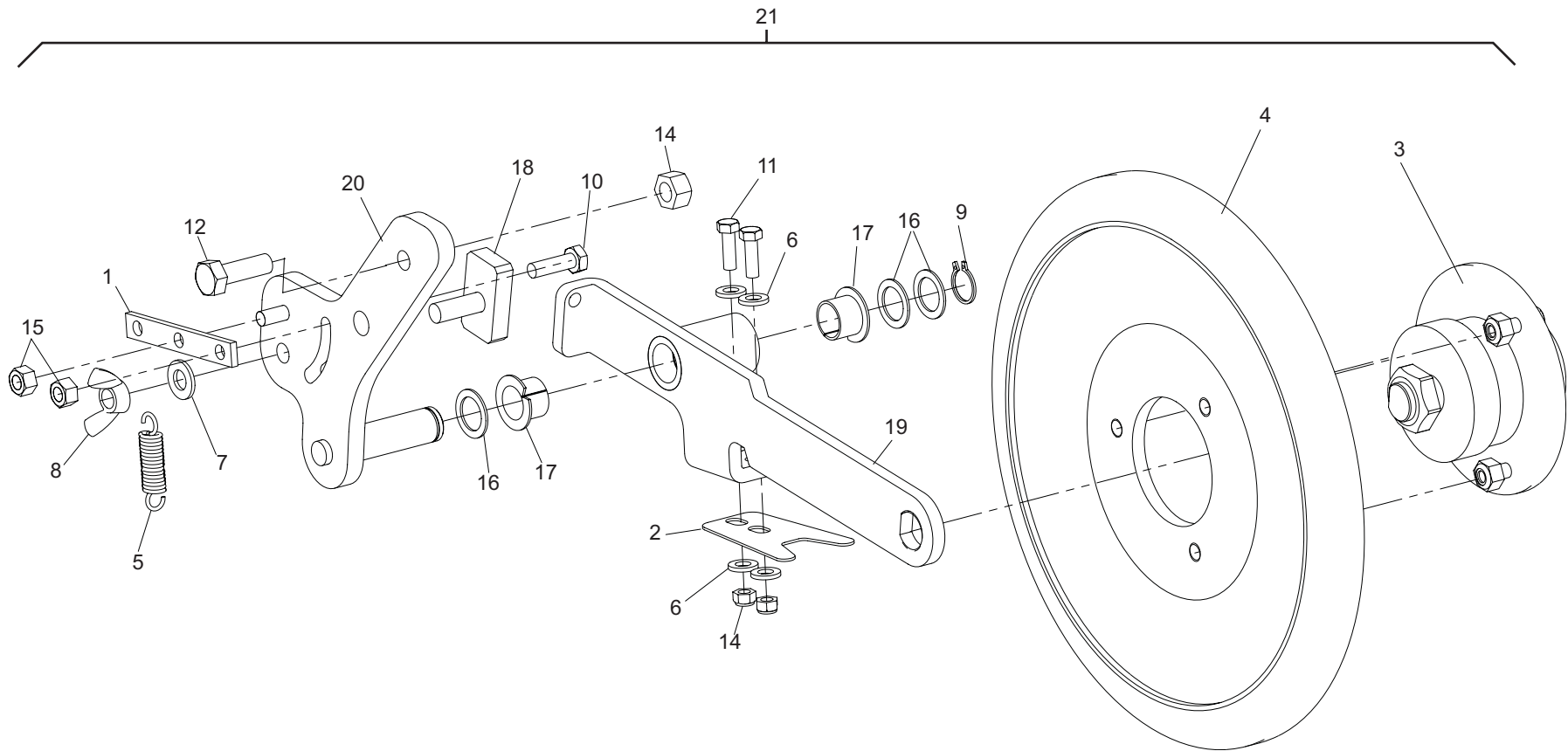
# 24 TRANSMISSION FERTILISEUR





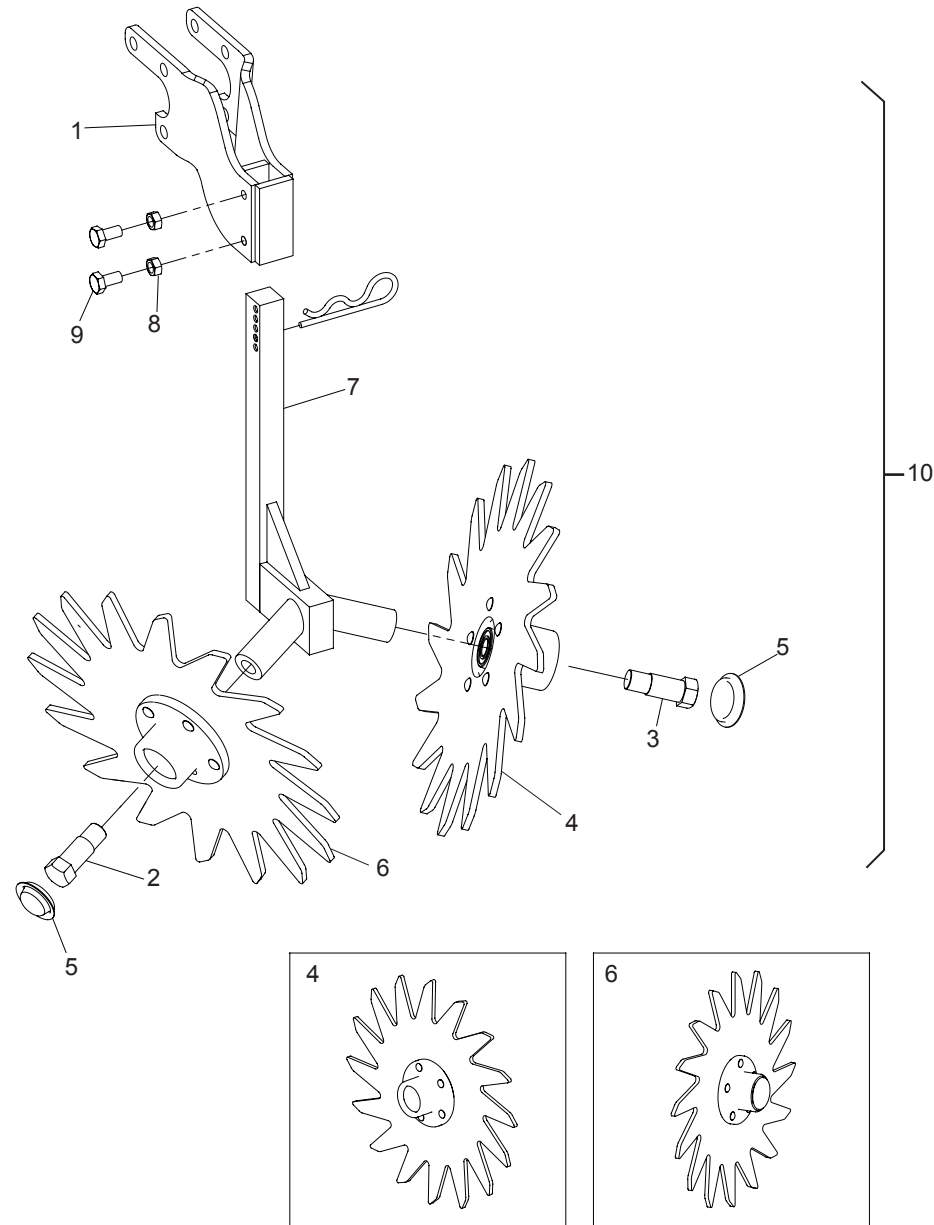


N°	Reference	
1	PX-021700/D	
2	PX-021700/I	
3	PX-021701/D	
4	PX-021701/I	
5	TA-041724	
5	TA-041725	
6	125 12 I	
7	127 12 BI	
8	902I 6 BI	
9	933 12X20 I	
10	933 12X25 BI	
11	933 12X70 I	
12	933 6x10 BI	
13	933 6x15 BI	
14	934 12 BI	
15	985 12	
16	985 6	
17	FE-610013	
18	CO-021701	
18	CO-021702	
18	CO-021703	
18	CO-021704	
18	CO-021705	
18	CO-021706	
19	MO-041751	
20	MO-041752	

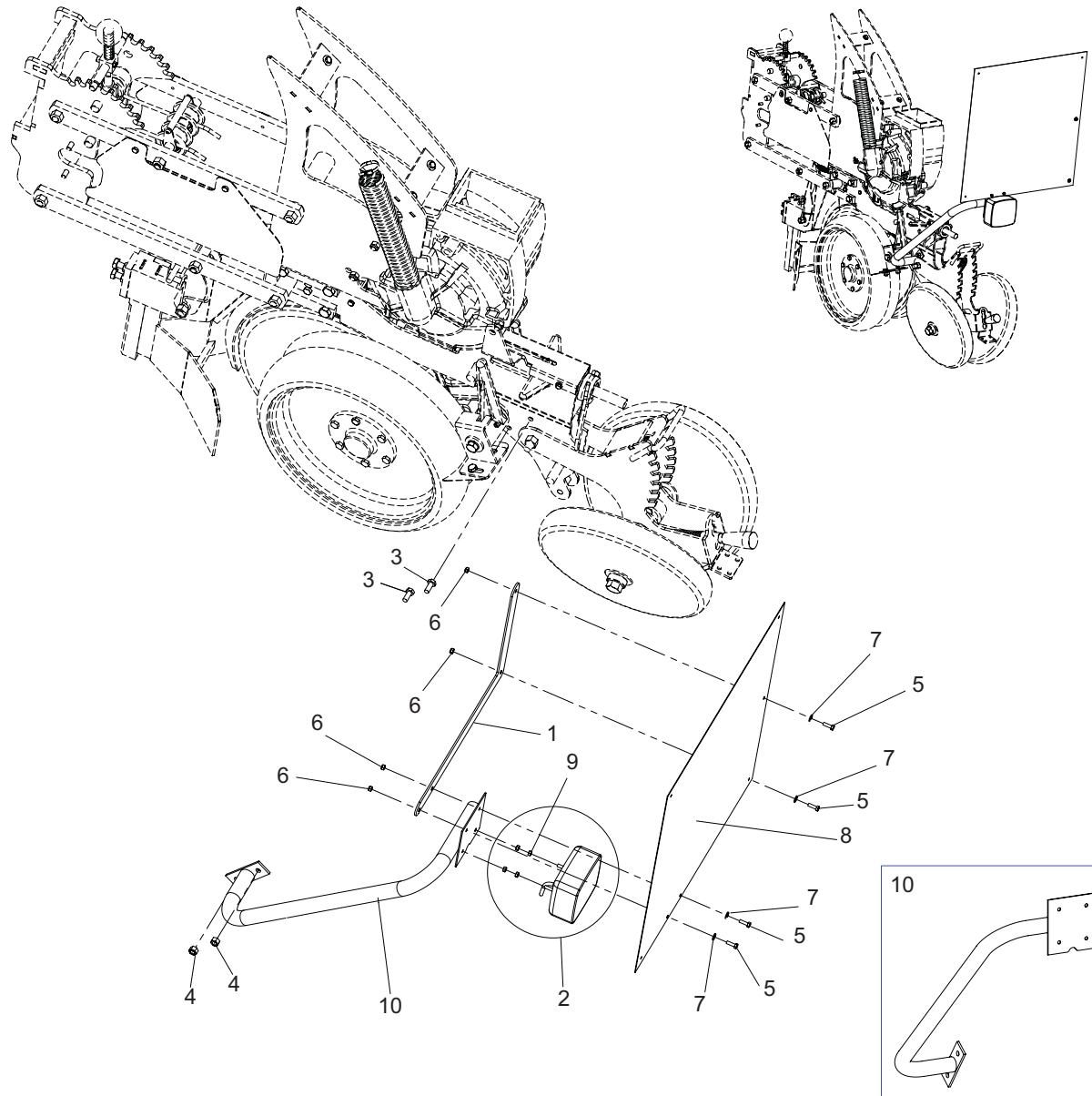




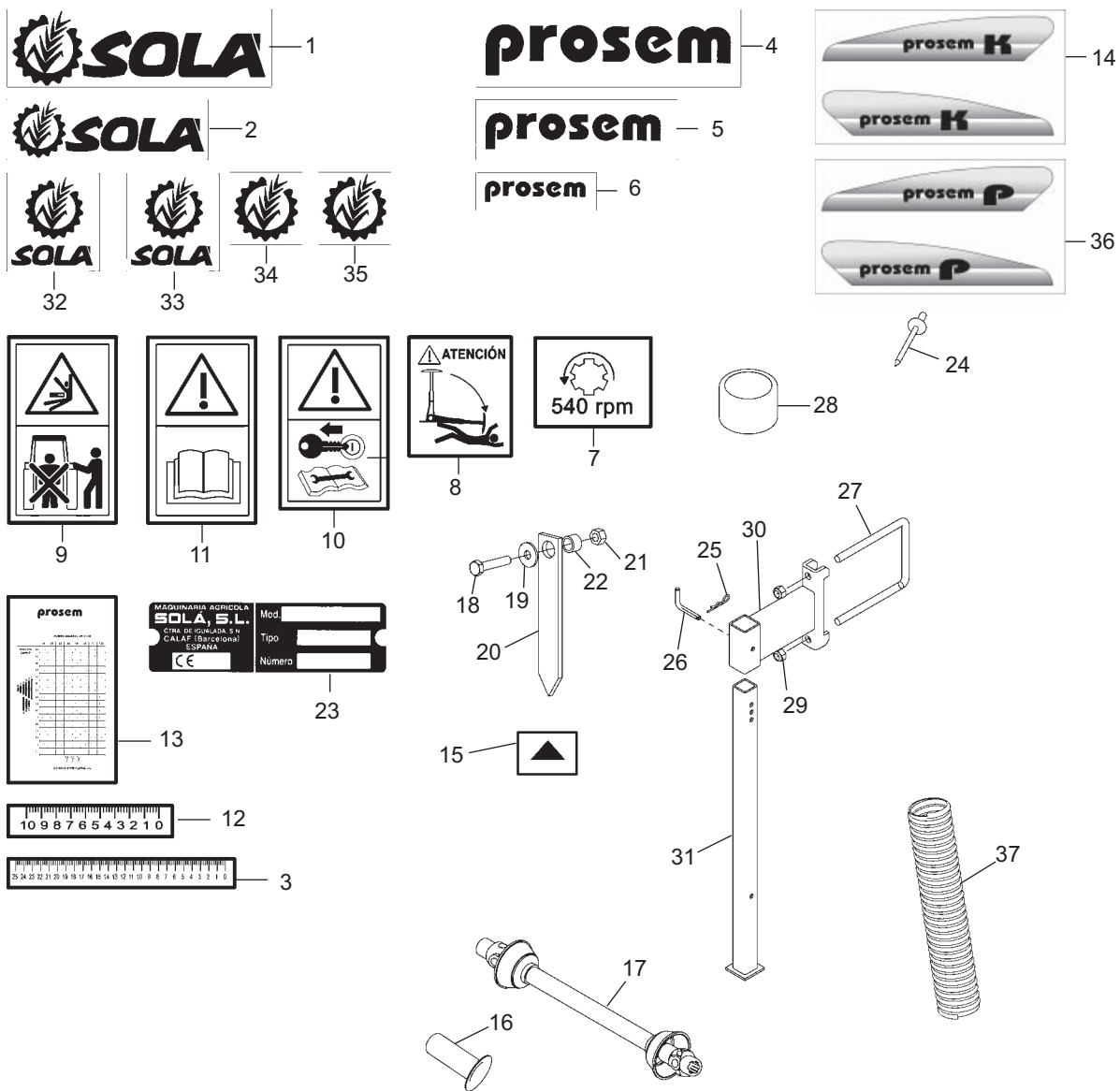
N°	Reference	
1	EE-051711	
2	PX-051728	
3	CO-051729	
4	CO-051730	
5	ML-051711	
6	125 6 BI	
7	125 8 BI	
8	315 8 BI	
9	471-14	
10	933 6x20 BI	
11	933 5x16 BI	
12	933 8x25 BI	
13	985 5	
14	985 8	
15	985 6	
16	988 14X20X1	
17	FE-600055	
18	CO-051734	
19	CO-051717	
20	CO-051733	
21	EO-071701	



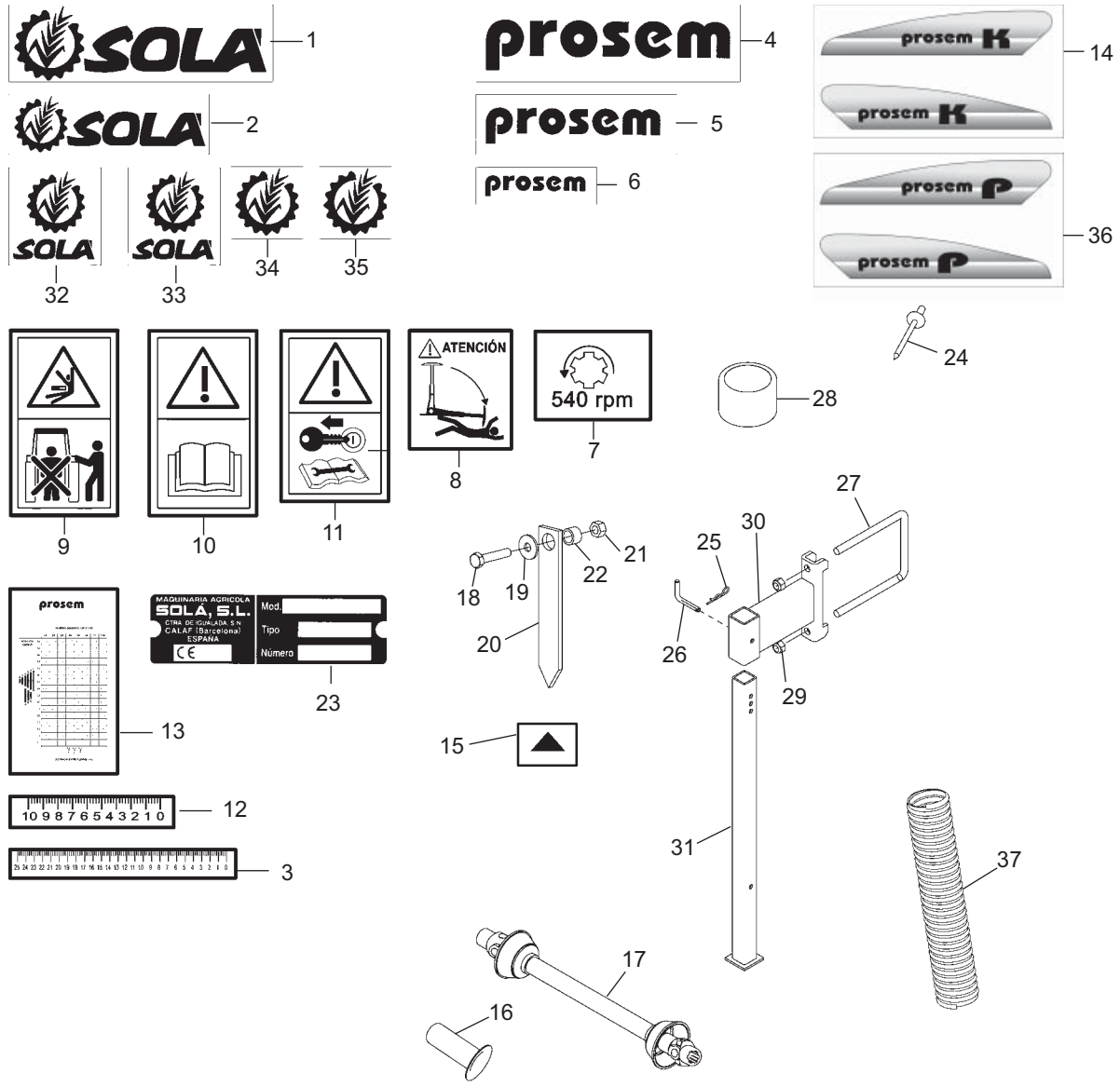
N°	Reference	
1	PS-051712	
2	ME-051728	
3	ME-051729	
4	CO-051760-D	
5	EE-051703	
6	CO-051760-I	
7	CO-151767	
8	934 10 BI	
9	933 10X20 BI	
10	EO-071750	



N°	Reference	
1	PX-101725	
2	MV-101711	
3	933 8x20 BI	
4	985 8	
5	933 5x16 BI	
6	985 5	
7	125 6 BI	
8	CN-818016	
9	934 5	
10	PS-101711	



<b>N°</b>	<b>Reference</b>	
1	AD-070228	
2	AD-070229	
3	AD--071901	
4	AD-071704	
5	AD-071703	
6	AD-071702	
7	A10-44	
8	A10-53	
9	A10-82	
10	A10-31	
11	AD-070227	
12	AD-071701	
13	AD-071700	
14	AD-071705	
15	A10-81	
16	CN-817016	
17	FE-608011	
18	933 6X30 BI	
19	9021 6 BI	
20	I01-01	
21	CT-071702	
22	985 6 BI	
23	P09-01	
24	FE-602001	
25	FE-610002	
26	BU-071700	
27	EE-011705	
28	FE-611005	





N°	Reference	
29	985 16 BI	
30	PS-071701	
31	PS-071702	
32	CN-815023	
33	CN-815022	
34	AD-071707	
35	AD-071708	
36	AD-071900	
37	VA-041702	





**MAQUINARIA AGRÍCOLA SOLÁ, S.L.**  
Carretera de Igualada, s/n. - Apartado, 11  
08280 - CALAF (Barcelona) España  
Teléfono. 93 868 00 60  
Telefax. 93 868 00 55  
E-mail: [sola@solagrupo.es](mailto:sola@solagrupo.es)  
[www.solagrupo.com](http://www.solagrupo.com)