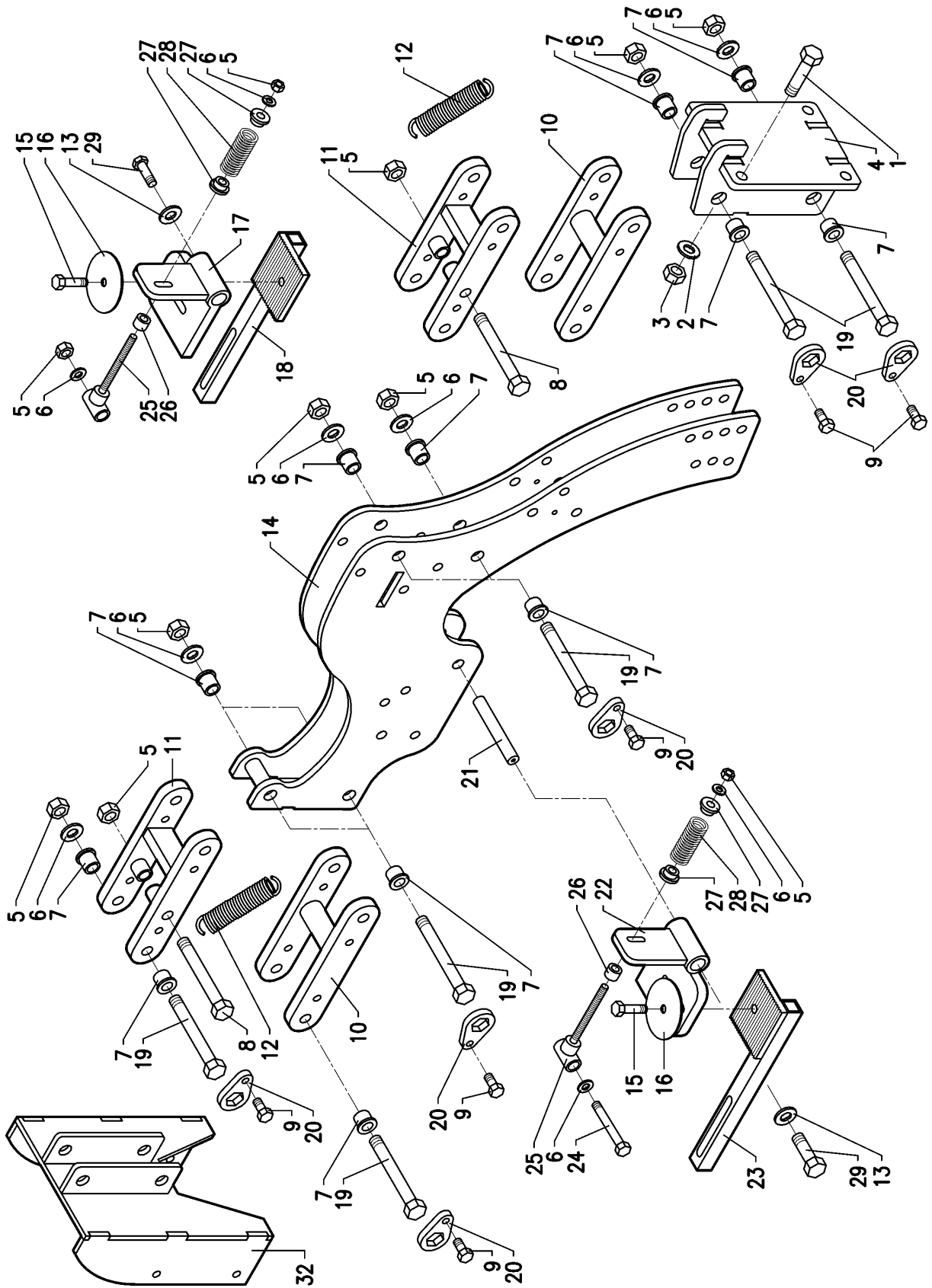


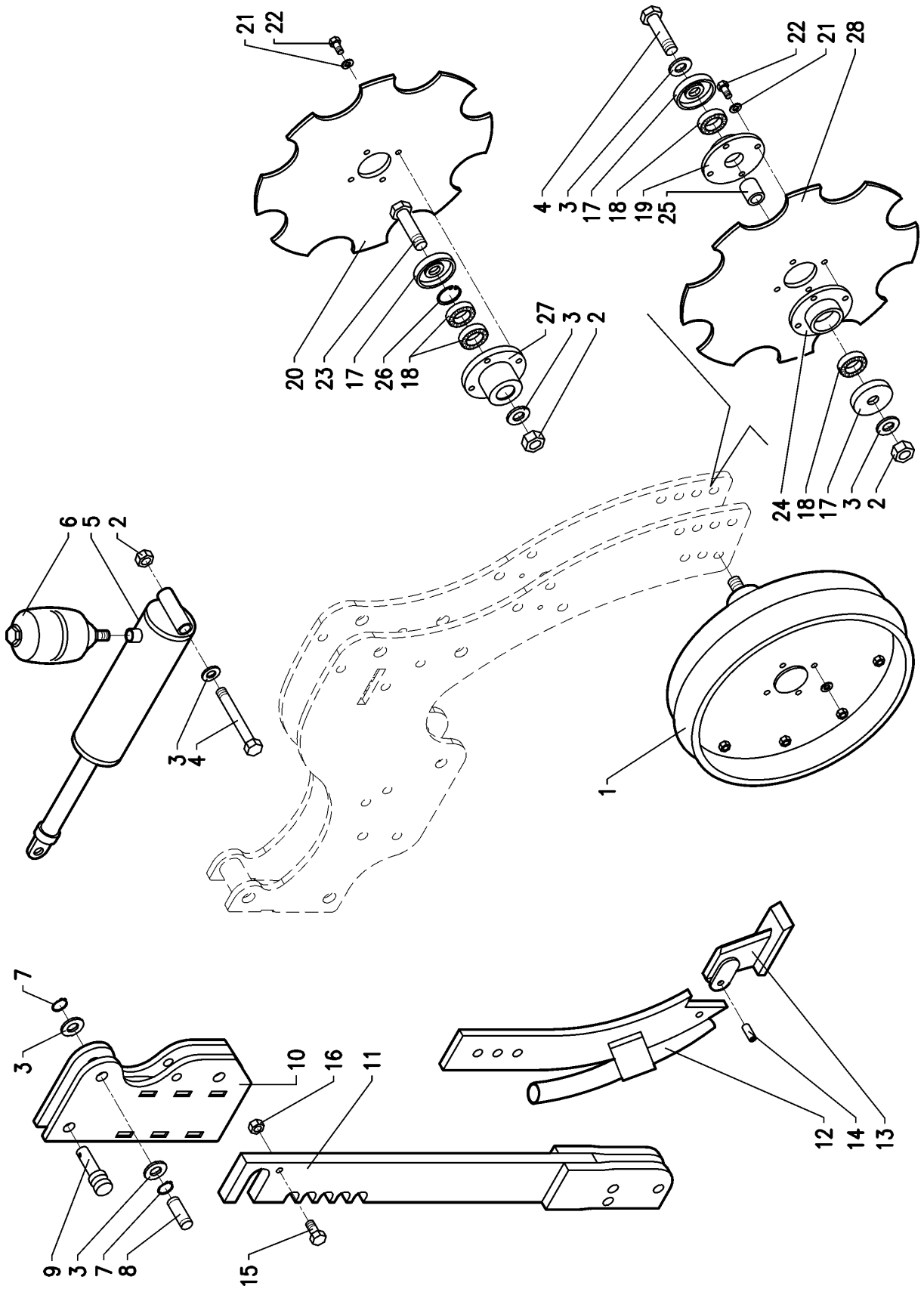
DESPIECE 01



DESPIECE 01

Pos.	Descripción	Ref.
1	TORNILLO DIN 933 M 18X60 8.8 BI	933 18X60 8.8B
2	ARANDELA DIN 125 M18 BI	125 18 BI
3	TUERCA DIN 985 M18	985 18
4	FIJACIÓN PARALELA PARA BRAZO (SHT14)	CO-071708/16
5	TUERCA DIN 985 M20	985 20
6	ARANDELA DIN 9021 M 20 BI	9021 20 BI
7	CASQUILLO D35/28 H30/26 (SHT17)	CO-071708/19
8	TORNILLO DIN 931 M20X180 8.8 BI	931 20x180 8.8 B
9	TORNILLO DIN 933 M12X20 8.8 BI	933 12X20 8.8 B
10	PARALELOGRAMO INFERIOR (MOM020) (SHT110)	CO-071708/22
11	PARALELOGRAMO SUPERIOR (MOM20BIS) (SHT111)	CO-071708/23
12	MUELLE MOM TRAZ 8- PARAL. BARRA (SHT112)	CO-071708/12
13	ARANDELA DIN-125 M14 BI	125 14 BI
14	PLANCHA FORMA HAWK (SHT114)	CO-071708/25
15	TORNILLO DIN 931 M 14X50 8.8 BICROMATADO	931 14X50 8.8 B
16	ARANDELA D105X12 (SHT116)	CO-071708/27
17	PLACA DENTADA CON JUNTA DX (TR021+TR005+MOM020BIS) (SHT117)	CO-071708/28
18	BRAZO CON PLACA DENTADA DX (TR020+MOM012) (SHT118)	CO-071708/29
19	TORNILLO DIN 931 M18X190 8.8 BICROMATADO	931 18X190 10.9 B
20	SOPORTE PORTA TORNILLOS (SHT120)	CO-071708/31
21	PERNO D25X260 (SHT121)	CO-071708/32
22	FIJACIÓN DENTADA CON GOMA SX (TR021+TR005+MOM005) (SHT122)	CO-071708/33
23	BRAZO CON FIJACIÓN DENTADA SX (TR020BIS+MOM012) (SHT123)	CO-071708/34
24	TORNILLO DIN 931 M20X220 8,8 BI	931 20X220 8,8 B
25	BRAZO TIRANTE CON MUELLE ANT. (TR001+BARRA FILETT M20) (SHT125)	CO-071708/36
26	CASQUILLO SEPARADOR D38 (SHT126)	CO-071708/37
27	TAPON MUELLE BRAZO (TR012) (SHT127)	CO-071708/38
28	MUELLE MOM COMP 8-DISCHI (SHT128)	CO-071708/39
29	TORNILLO DIN 933 M14X30 8.8 BI	933 14X30 8.8 B
30	ACCESORIO PARA SEMILLAS (SHT130)	CO-071708/41

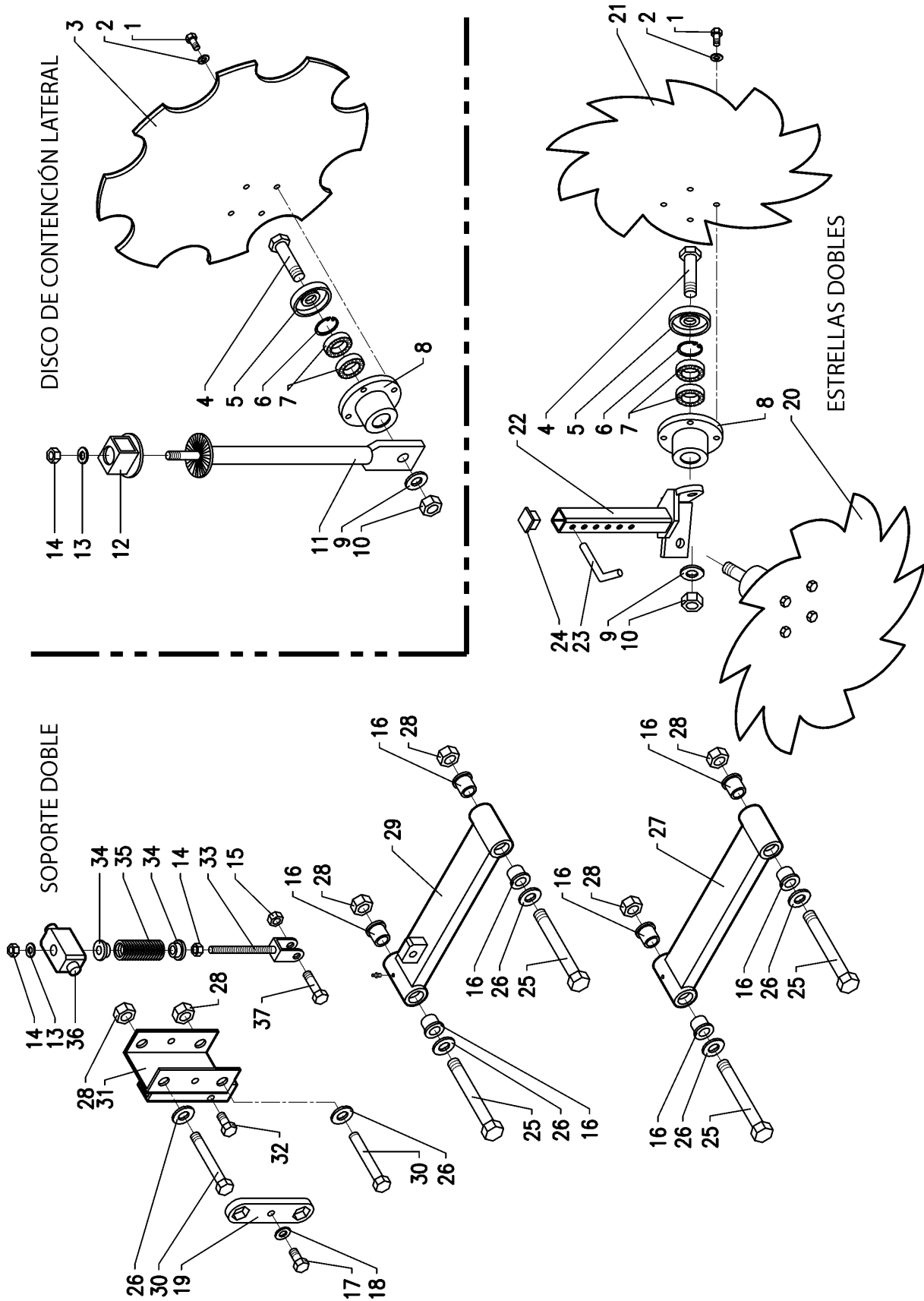
DESPIECE 02



DESPIECE 02

Pos.	Descripción	Ref.
1	RUKIT RUEDA F.M.V TIPO 4 1/2" X 8" (MOM-AA-094)	CO-071708/42
2	TUERCA DIN 985 M20	985 20
3	ARANDELA DIN 125 M20 BI	125 20 BI
4	TORNILLO DIN 931 M20X120 8.8 BI	931 20X120 8.8
5	CILINDRO DE SIMPLE EFECTO (SHT25)	CO-071708/46
6	ACUMULADOR (SHT26)	CO-071708/47
7	ANILLO SAEGER DIN 471 20	471 20
8	ESPARRAGO M20X65 (SHT28)	CO-071708/49
9	ESPARAGO M20X55 C/TESTA 30X30 (SHT29)	CO-071708/50
10	ASTA PARA PUNTA ANCORA (MOM032) (SHT210)	CO-071708/51
11	ASTA MOM SHT PARA REJA ABONADORA (REF SHT211)	CO-071708/01
12	PUNTA ANCORA CON FIJACIÓN PORTA ABONO (MOM25BIS+MOM028) (SHT212)	CO-071708/52
13	UTENSILIO PARA PUNTA ANCORA (MOM024+MOM026+MOM027) (SHT213)	CO-071708/53
14	TORNILLO 931 M12X65 L= 52mm + DIN 980 M12	CO-071708/54
15	TORNILLO DIN 931 M-10X40 8.8 BICROMATADO	931 10X40 8.8 B
16	TUERCA DIN 985 M10	985 10
17	ESPACIADOR DISCO CORTADOR (REF SHT217)	CO-071708/04
18	RODAMIENTO 204 KRR	FE-600724
19	SOPORTE PARA DISCO PLANO C/AGUJEROS M10,5 (REF SHT219)	CO-071708/03
20	DISCO PLANO DENTADO D410X6 (SHT220)	CO-071708/57
21	ARANDELA GROWER DIN 127 M 10 BI	127 10 BI
22	TORNILLO DIN 933 M10/125X25 8.8 BI	933 10/125x25 8.
23	TORNILLO DIN 931 M 20X80 8.8 BICROMATADO	931 20X80 8.8 B
24	SOPORTE PARA DISCO PLANO C/AGUJEROS M10X1.25 (REF SHT224)	CO-071708/02
25	CASQUILLO SEPARADOR INT. PARA SUJETAR DISCO PLANO (TR014) (SHT225)	CO-071708/61
26	ANILLO SAEGER DIN 472 47	472 47
27	SOPORTE DISCOS DE CONTENCIÓN (SHT227)	CO-071708/63
28	DISCO PLANO DENTADO D480X6 (SHT228)	CO-071708/64

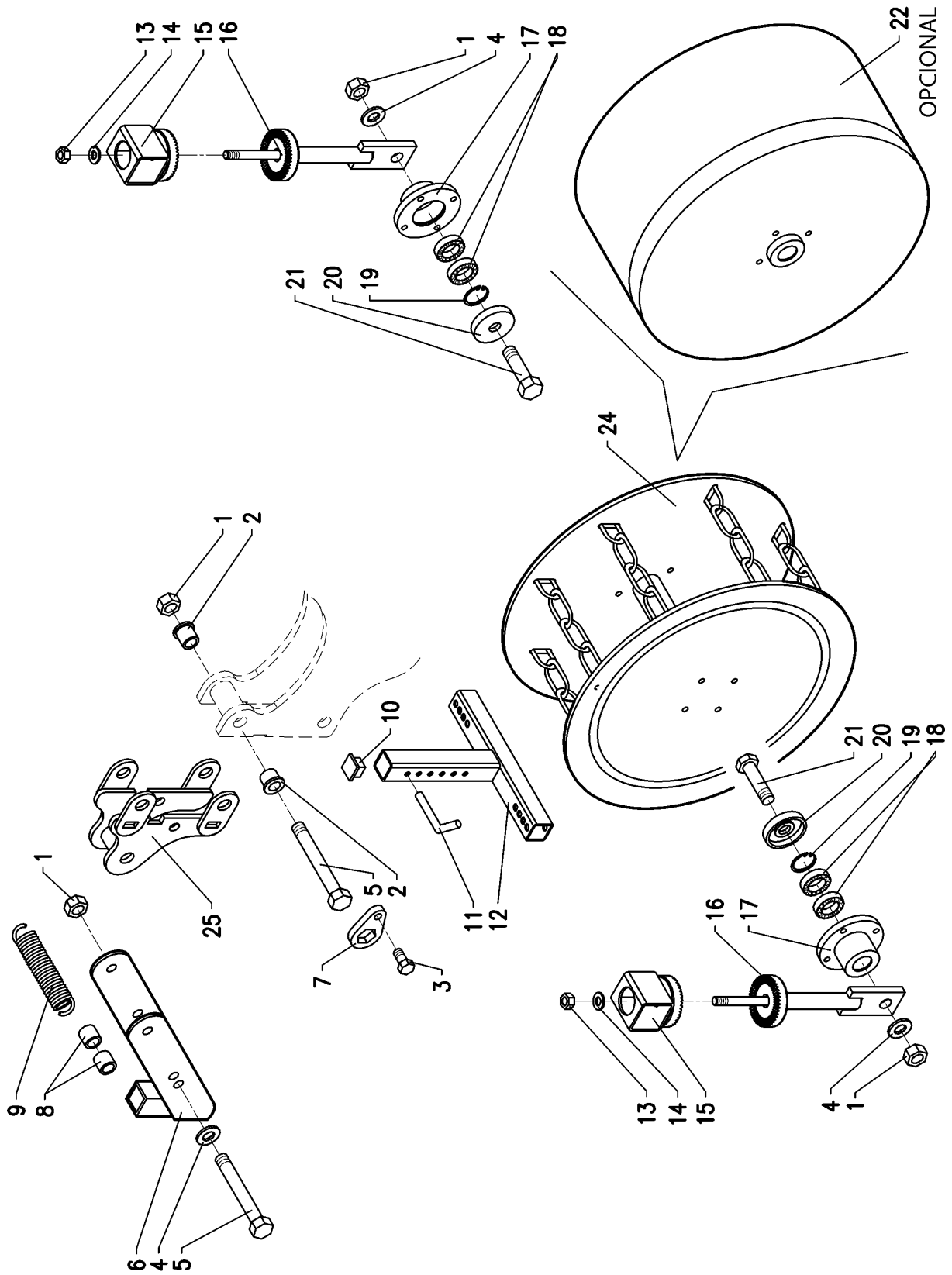
DESPIECE 03



DESPIECE 03

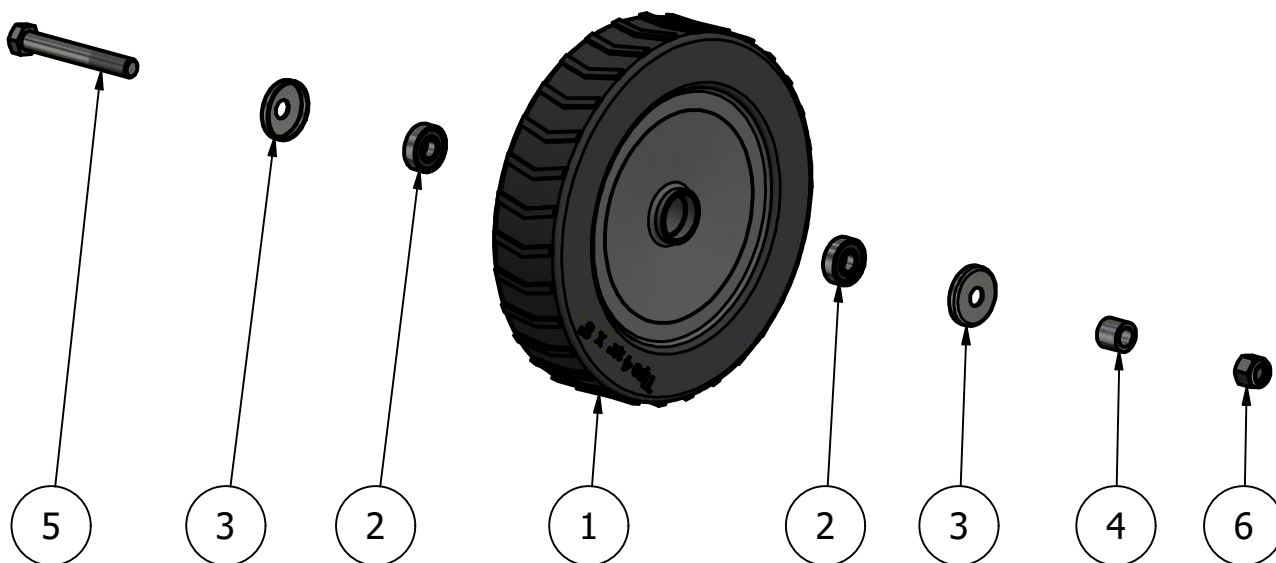
Pos.	Descripción	Ref.
1	TORNILLO DIN 933 M10/125X20 8.8 BICROMATADO	933 10/125X20 8.8 B
2	ARANDELA GROWER DIN 127 M 10 BI	127 10 BI
3	DISCO DE CONTENCIÓN DENTADO D410X4 (SHT33)	CO-071708/67
4	TORNILLO DIN 933 M20X80 10.9 BI	933 20X80 10.9 B
5	CASQUILLO SEPARADOR PARA DISCO CONTENCIÓN (TR017) (SHT35)	CO-071708/69
6	ANILLO SAEGER DIN 472 47	472 47
7	RODAMIENTO 204 KRR	FE-600724
8	SOPORTE DISCO CONTENCIÓN (TR015) (SHT38)	CO-071708/72
9	ARANDELA DIN 125 M20 BI	125 20 BI
10	TUERCA AUT. M20 (SHT310)	CO-071708/74
11	EJE DISCO DELANTERO CON ARANDELA DENTADA (TR018) (SHT311)	CO-071708/75
12	CONTRO ROND DENTATA (SHT312)	CO-071708/76
13	ROND. MAGG D14X42 (SHT313)	CO-071708/77
14	TUERCA DIN 985 M14	985 14
15	TUERCA DIN 985 M12	985 12
16	CASQUILLO D 16-22 (SHT316)	CO-071708/80
17	TORNILLO DIN 933 M10X30 8.8 BI	933 10X30 8.8 B
18	ARAN PLANA DIN 125 M10 BI	125 10 BI
19	SOPORTE PORTA TORNILLOS (SHT319)	CO-071708/83
20	DISCO ESTRELLAS DIBUJO BOMBATO D360X4 SX (SHT320)	CO-071708/84
21	DISCO ESTRELLAS DIBUJO BOMBATO D360X4 DX (SHT321)	CO-071708/85
22	TUBO FIJACIÓN DISCO ESTRELLA (SHT322)	CO-071708/86
23	ESPARAGO ABONO D11 70X40 (SHT323)	CO-071708/87
24	TAPON 40X40 (SHT324)	CO-071708/88
25	TORNILLO DIN 931 16X120 8.8 BI	931 16X120 8.8B
26	ARANDELA DIN 125 M16 BI	125 16 BI
27	BRAZO PORTA ESTRELLAS INF. (NR.02 TR002+FERRO U DA 60X330 + LAMA 60X15X40C/FORO) (SHT327)	CO-071708/91
28	TUERCA DIN 985 M16	985 16
29	BRAZO PORTA ESTRELLAS SUP. (NR02 TR002+FERRO U DA 60X330 + LAMA 60X15X40 C/FORO) (SHT329)	CO-071708/93
30	TORNILLO DIN 931 16X110 8.8 BI	931 16X110 8.8 B
31	SOPORTE PARA PARAL. ESTRELLA (MOM002) CON FIJACION PARA TUBO ESTRELLAS (SHT331)	CO-071708/95
32	TORNILLO DIN 933 M14X30 8.8 BI	933 14X30 8.8 B
33	SOPORTE BARRA ROSCADA M14 (SHT333)	CO-071708/97
34	CASQUILLO MUELLE ESTRELLA (TR012BIS) (SHT334)	CO-071708/98
35	MUELLE COMP 5 PARAL. STELLE (SHT335)	CO-071708/99
36	ARTICULACIÓN MUELLE ESTRELLA (TR009) (SHT336)	CO-071708/100
37	TORNILLO DIN 931 M 12X50 10.9 BICROMATADO	931 12X50 10 B

DESPIECE 04



DESPIECE 04

Pos.	Descripción	Ref.
1	TUERCA DIN 985 M20	985 20
2	BRÚJULA D35/28 H16 FORO 20 CEMENT. (SHT42)	CO-071708/103
3	TORNILLO DIN 933 M12X20 8.8 BI	933 12X20 8.8 B
4	ARANDELA DIN 125 M20 BI	125 20 BI
5	TORNILLO DIN 931 M20X150 8,8 BI	931 20x150 8,8BI
6	CODA C/ATTACCO CROCE (SHT46)	CO-071708/107
7	SOPORTE PARA TORNILLOS (SHT47)	CO-071708/108
8	SEPARADOR MUELLE (MOM022) (SHT48)	CO-071708/109
9	MUELLE TRAZ8 - CODA (SHT49)	CO-071708/110
10	TAPON 50X50 (SHT410)	CO-071708/111
11	ESPARAGO ABONO D11 70X40 (SHT411)	CO-071708/112
12	CRUZ PARA DISCOS - ROUTE (SHT412)	CO-071708/113
13	TUERCA DIN 985 M14	985 14
14	ARANDELA MAGG. D14X42 (SHT414)	CO-071708/115
15	CONTRO ROND. DENTATA (SHT415)	CO-071708/116
16	EJE DE DISCO TRASERO C/ROND. DENTADA (SHT416)	CO-071708/117
17	SUPP. DISCO - ROUTE (TR015) (SHT417)	CO-071708/118
18	RODAMIENTO 204 KRR	FE-600724
19	ANILLO SAEGER DIN 472 47	472 47
20	SEPARADOR PARA DISCO - ROUTE (TR017) (SHT420)	CO-071708/121
21	TORNILLO DIN 931 M 20X80 8.8 BICROMATADO	931 20X80 8.8 B
22	RUOTA PRESSATRICE 350X160 (OPCIONAL) (SHT422)	CO-071708/123
23	TORNILLO DIN 931 M20X170 10.9 BI	931 20x170 10.9
24	RODILLO CON CADENAS (SHT424)	CO-071708/125
25		



CO-071708/42

Pos.	Descripción	Ref.
1	RUEDA F.M.V TIPO 4 1/2" X 8" (C000112)	CO-071708/126
2	RODAMIENTO 6304 2RS CLASE B	FE-600635
3	TAPA GUARDAPOLVO RUEDA F.M.V TIPO 4 1/2" X 8" (C000114)	CO-071708/127
4	DISTANCIADOR (MOM-PA-554)	CO-071708/128
5	TORNILLO DIN 931 M20X150 8,8 BI	931 20x150 8,8BI
6	TUERCA DIN 985 M20	985 20