



Pressurized pneumatic seed drill

Cres P



Cres P237B SOLA





Ares P

Pressurized
pneumatic seed drill



A STEP FORWARD

We present the pneumatic pressurized cereal seed drill, a prodigy of technology, which will allow the farmer to optimize the planting task, both in its quality and accuracy and in its cost.

Its strengths are as follows:

- Pressurized hopper, which implies a lower consumption of oil and diesel oil and ensures a uniform and efficient seed flow in each seed arm in any soil condition.
- External distributor heads, which allow a better cleaning of the hopper.
- Electric drive system of the volumetric distributor with certified ISOBUS connection.
- Possibility of carrying out planting work by means of prescription maps.
- Modular distributor rollers according to dose and type of culture.
- Fast and easy to access seed dose calibration.
- Wide range of seeding trains from conventional seeding to minimum tillage.



TINE COULTERS



SUFFOLK COULTERS



DISCS



DOUBLE DISCS



PT COULTERS



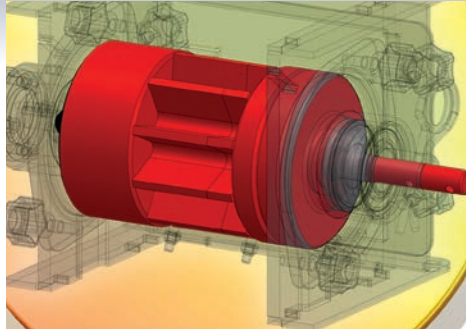


Ares P

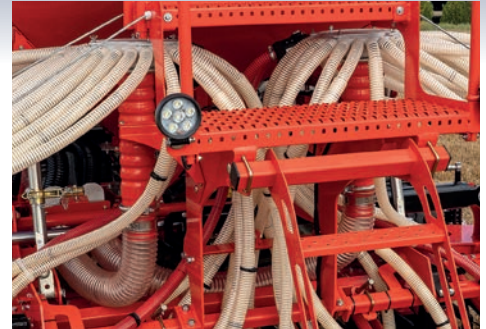
Pressurized
pneumatic seed drill



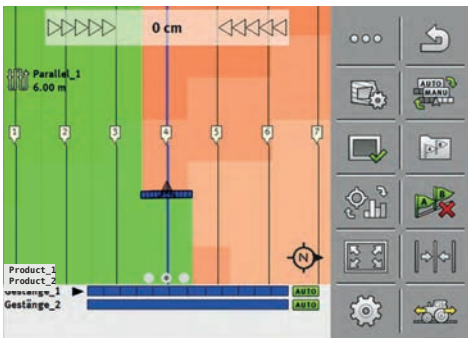
2,000 liter pressurized hopper.



Electric driven volumetric distributor with interchangeable modular rollers.



Seed distributor heads outside the hopper.



Possibility to work with prescription and cut-off maps of half a machine by GPS.



Certified connection ISOBUS.



Wide range of virtual terminals available.

	TECHNICAL CHARACTERISTICS											
	400			450			500			600		
	Tines Discs Suffolk c.	D.Disc	PT Coulter	Tines Discs Suffolk c.	D.Disc	PT Coulter	Tines Discs Suffolk c.	D.Disc	PT Coulter	Tines Discs Suffolk c.	D.Disc	PT Coulter
Row spacing (cm.)	12,5	16	16	12,5	16	16	12,5	16	16	12,5	16	16
Rows	32	24	25	36	28	28	40	32	31	48	38	37
Working width (m.)	4			4,5			5			6		
Transport width (m.)	3,05			3,05			3,05			3,05		
Wheels	10.0/75-15,3			10.0/75-15,3			10.0/75-15,3			10.0/75-15,3		

CHARACTERISTICS

- Pressure hopper of 2.000 lts. capacity.
- Selector screen removable.
- Seed dose calibration kit.
- Certified connection ISOBUS.
- Signalling lights and LED working lights
- Control wheels in folding parts. (Except in 4m.)
- Mechanical turbine 1000 rpm or hydraulic.
- Rear rake in three sections:



OPTIONS

- Hydraulic track markers.
- Triple leveler.
- Control wheels in central section of seed equipment (Only grills, boots and PT).
- Scrapers on depth control wheels in folding parts.
- Independent hydraulic circuit kit. (Only with hydraulic turbine).
- Hydraulic plug for auger.
- Floating wheels 340/55-16.
- Closing half machine.
- Tramlines.
- Locking sensors for each seeding tube.
- Wide range of virtual terminals available.



MAQUINARIA AGRÍCOLA SOLÁ, S.L.
Ctra. de Igualada, s/n. 08280 CALAF (Barcelona) ESPAÑA
Telf. (+34) 93 868 00 60 / sola@solagrupo.com

