

NEU-2512

STARTING MANUAL

MAINTENANCE

DOSAGE

SPARE PARTS

Please read and follow this operating manual before putting the machine into operation.



Seed Drills and Fertilizer Spreaders **SOLA** are produced in a factory particularly specialized in this kind of machines and they are guaranteed for the experience of the users. They are machines based on state-of-the-art technology and are manufactured with recognized safety requirements for doing an excellent work with a minimal maintenance. The purpose of this operating manual is to enable you to familiarise yourself with the working of your seed drill and to achieve your purposes.



Quality certificate

3TH Edition - 08-2014
Ref.: CN-811072/GB
Created by: INTEGRUM

It is forbidden the total and partial reproduction.
We can modify the specifications without prior notice.

TABLE OF CONTENTS

1. INTRODUCTION	5
2. TECHNICAL SPECIFICATIONS	6
2.1 TECHNICAL SPECIFICATIONS.....	6
2.2 STANDARD EQUIPMENT.....	6
2.3 OPTIONAL EQUIPMENT.....	6
3. SAFETY INSTRUCTIONS	7
3.1 SAFETY SYMBOLS.....	7
3.2 PROPER USE.....	8
3.3 GENERAL SAFETY ARRANGEMENTS.....	8
4. ESSENTIAL CONCEPTS FOR SOWING	8
4.1 GROUND.....	8
4.2 THE SEED.....	8
4.3 THE SOWING DEPTH	8
5. STARTING	9
5.1 COUPLING THE SEED DRILL WITH HARROW.....	9
5.2 SETTING THE FAN BELTS	10
5.3 DOSAGE.....	11
5.4 MICRODOSAGE	12
5.5 SETTING THE SOWING DEPTH	12
5.6 SETTING THE SPRING HARROW	13
5.7 HYDRAULIC TRACK MARKERS.....	13
6. CONTROL MONITORS	14
6.1 CONTROL BOARD	14
6.2 ADVANCE SPEED – C1	14
6.3 TOTAL AREA / SEED DRILL WIDTH – C2	14
6.4 FAN SPEED / ALARMS – C4.....	14
6.5 DISTRIBUTOR – C5.....	15
6.6 LEVEL HOPPER ALARM – C6	15
7. MAINTENANCE	15
7.1 GREASING.....	15
7.2 SCREW WORKS	15
8. DOSAGE TABLES	16
9. SPARE PARTS	19
9.1 TINE COULTERS FRAME.....	20
9.2 DISCS AND SUFFOLK COULTERS FRAME.....	22
9.3 DOUBLE DISCS FRAME	24
9.4 HITCH ROTARY HARROW.....	26
9.5 SUPPORTS FEETS, SCREWS AND FRAMES	28
9.6 TINE COULTERS ARMS	30
9.7 SUFFOLK COULTERS ARMS	32
9.8 DISCS ARMS	34
9.9 DOUBLE DISCS ARMS.....	36
9.10 HARROW FOR TINE COULTERS.....	38
9.11 HARROW FOR DOUBLE DISC, DOUBLE DISC AND SUFFOLK COULTERS.....	40
9.12 HOPPER.....	42
9.13 NEUMATIC DISTRIBUTION.....	44
9.14 DISTRIBUTOR.....	46
9.15 SMALL FAN WITH SUPORT AND FILTER	48
9.16 SMALL HYDRAULIC FAN	50
9.17 TRANSMISSIONS	52
9.18 TRANSMISSIONS	54
9.19 STAIR	56
9.20 FINISHES.....	58

1. INTRODUCTION

Before you proceed to operate the seed drill, please read and observe these instructions. In this way, you will avoid accidents, reduce repair costs and downtimes and increase the reliability and service life of your seed drill. This operating manual must be read and used by all persons who are required to work with the seed drill (including preparatory work, troubleshooting during operation, care), maintenance (inspection and technical servicing) and transporting. Pay particular attention to the safety instructions. **SOLÀ** cannot assume any liability for damage or malfunctions caused by a failure to observe the instructions contained in this operating manual. First of all, the manual will explain the Technical Specifications, the Safety Instructions, and some Essential Concepts for sowing. In the chapters PRIOR TO SOWING and MAINTENANCE, the manual will explain the basic instructions for working with the machine. This manual is finished with a Dosage Table with different types of seeds.

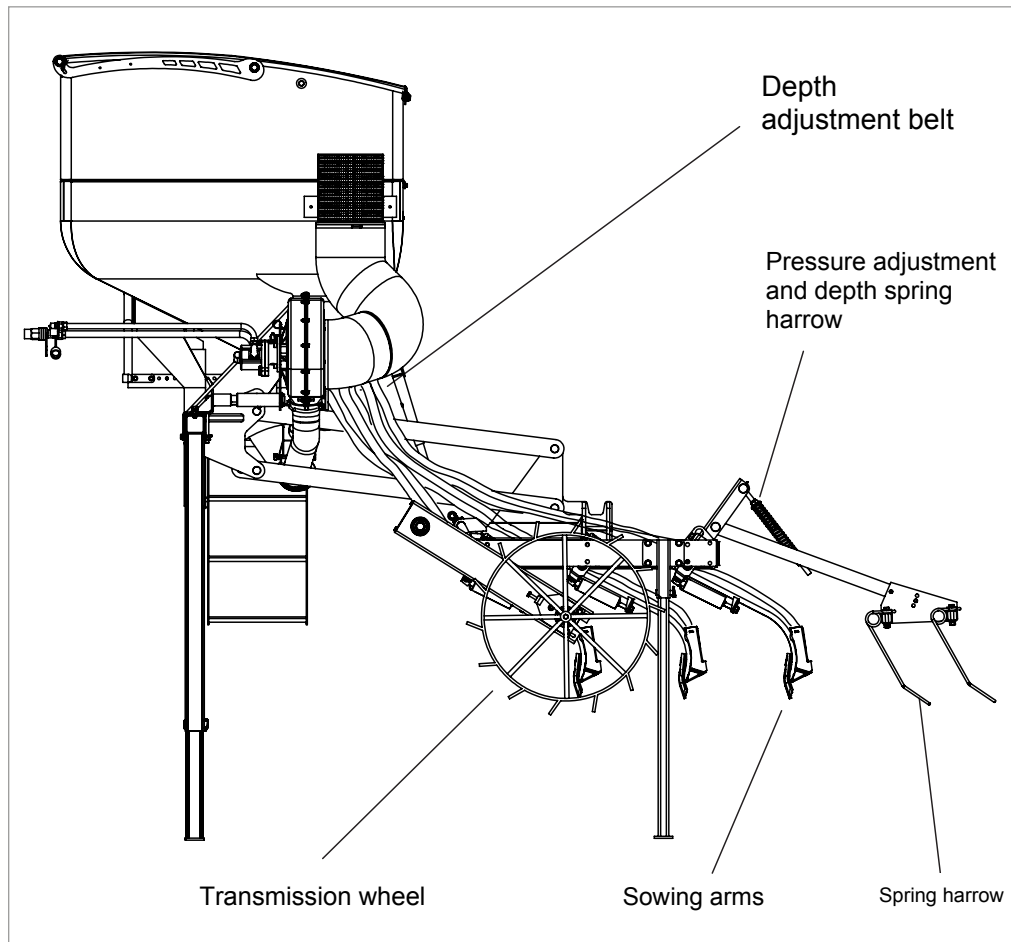


SOLÀ RESERVES THE RIGHT TO MAKE CHANGES TO THE ILLUSTRATIONS, TECHNICAL SPECIFICATIONS AND WEIGHTS CONTAINED IN THIS OPERATING MANUAL IF SOLA MAKES ANY IMPROVEMENTS TO THE SEED DRILL

2. TECHNICAL SPECIFICATIONS

2.1 TECHNICAL SPECIFICATIONS

TYPE AND ARMS	ARMS DISTANCE	WORKING WIDTH	HOPPER CAPACITY	WEIGHT (KG)	TRANSPORT WIDTH
300/25	12 cm	3 m	1.600 / 2.000 L.	1.550 kg	3 m
350/29	12 cm	3,5 m	1.600 / 2.000 L.	1.610 kg	3,5 m
400/33	12,5 cm	4 m	1.600 / 2.000 L.	1.670 kg	4 m



2.2 STANDARD EQUIPMENT

- Capacity hopper: 1.600 or 2.000 l
- Selector sieve
- Hectare counter
- Electronic speed counter
- Seed level and distributor problems alarm
- Set of lights and working lamp
- Spring harrow
- Loading platform with access stairs
- Mechanical fan
- Arms with coulters
- Arms with discs
- Weighing machine, crank and grains counter Harrow

2.3 OPTIONAL EQUIPMENT

- Hydraulic markers
- Tramlines
- Manual shut-off valve
- Total sowing shut-off

3. SAFETY INSTRUCTIONS

3.1 SAFETY SYMBOLS

You will find, in this operating manual, three types of safety and danger symbols:



TO FACILITATE OPERATION WITH THE SEED DRILL.



TO AVOID DAMAGES ON THE SEED DRILL OR IN THE OPTIONAL EQUIPMENTS.



THIS SYMBOL WARNS OF THE RISK OF INJURY.



AVOID FLUID ESCAPING UNDER PRESSURE. CONSULT OPERATING MANUAL FOR SERVICE PROCEDURES. DANGER OF SERIOUS.



IF YOU ARE WORKING UNDER THE MACHINE, IT IS VERY IMPORTANT TO ASSURE IT, TO AVOID ITS COLLAPSE. DANGER OF SERIOUS LESIONS..



DO NOT PLACE UNDER TRACK MARKERS. DANGER OF SERIOUS LESIONS.

On the machine, you will find the following symbols:



PLEASE, READ ALL SAFETY INSTRUCTIONS CONTAINED IN THIS OPERATION MANUAL WITH CARE AND ALSO OBSERVE ALL WARNING SIGNS ATTACHED TO THE SEED DRILL.



COUPLINT POINT TO RAISE THE MACHINE. DANGER OF SERIOUS LESIONS.



STAY AWAY OF THE TRACTOR BACK PART DURING THE COUPLING OPERATION, DURING THE COUPLING MANOEUVRE. DANGER OF SERIOUS LESIONS.



DIRECTION AND SPEED OF THE POWER POINT. (ONLY IN THE MACHINES WITH MECHANICAL FAN)



DO NOT PLACE UNDER THE SOWING EQUIPMENT OR UNDER SWINGING AREAS. DANGER OF SERIOUS LESIONS.



STOP THE TRACTOR ENGINE AND AVOID ITS START DURING THE MAINTENANCE OR REPAIRING WORKS IN THE SEED DRILL. CONSULT OPERATING MANUAL.



DO NOT RIDE ON THE SEED DRILL STAIRS WHEN THE MACHINE IS WORKING. DANGER OF SERIOUS LESIONS.

3.2 PROPER USE

- Seed drill NEU-2512 has been produced for the agricultural works, specially for cereals sowing and the other grain seeds.
- SOLA cannot be held liable for any consequential damage resulting from incorrect use, metering or distribution.
- All relevant accident prevention regulations, as well as other generally acknowledged safety and road traffic regulations, must be observed.
- SOLA seed drills are intended for sowing. Any uses other than those will automatically exempt SOLA from its/his liability in respect on ensuing damages.

3.3 GENERAL SAFETY ARRANGEMENTS

- Before to start the machine, it is very important to read the operation safety and road safety.
- Road traffic regulations must be observed when towing the seed drill on roads.
- No persons may be allowed to ride on the seed drill during the work and during the transport.
- Before to bring into operation the machine, it is very important to know the parts and the elements.
- Be extremely careful when coupling and uncoupling the seed drill to tractor. This operation involves a high risk of injury.
- The transmission of the power point must be fitted with a protective equipment and in good conditions.
- Avoid the turns of the protector tube with the chain. The side of the clutch will be fit in the seed drill.
- The transmission of the power point must be fitted when engine is stopped.
- Before to connect the power point, make sure that nobody is standing in dangerous proximity to the seed drill.
- Do not never abandon the seat drive during the work
- Do not place strange elements inside the hopper
- Before carrying out care or maintenance work, always de-pressurize the hydraulic system and switch off the p.t.o. shaft and the tractor engine.

- The hydraulic system generates extremely high pressures. All piping, hoses and connections must therefore be checked regularly for leakage and visible external damage. Useful life for these elements is not more than six years. You must change them after this time.
- When the seed drill is raised, the tractor front axle discharges. Verify that the charge is enough to avoid lodging danger. In this situation, verify direction and braking capacity.
- During the transport with the seed drill raised, block the descent control. Before descending of the tractor, place the machine on the ground and remove starting keys.
- Be extremely careful when working with the machine in raised position. Use support elements to avoid a possible descent of the machine.

4. ESSENTIAL CONCEPTS FOR SOWING

4.1 GROUND

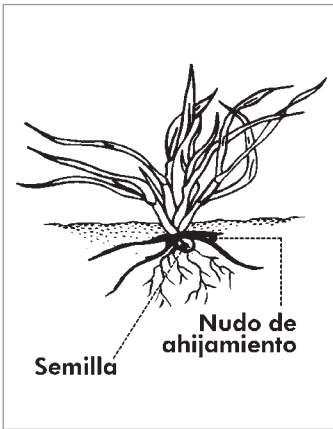
Better soil condition is, best quality of sowing. Over big clods or variable furrows it is not possible to do a good work. Although SOLA machines are able to take hard efforts in extreme conditions, sowing will not be of good quality if the sowing land has not adequate conditions.

4.2 THE SEED

It is very important to use quality and clean seed, and, in the barley case, very well trimmed.

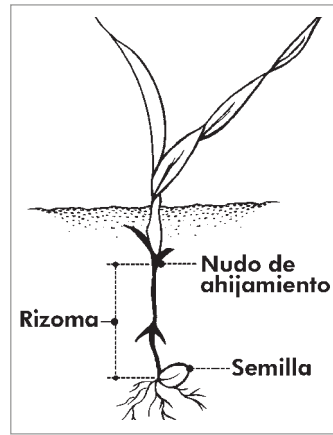
4.3 THE SOWING DEPTH

The suggested sowing depth is from 3 to 5 cm. Too deeply is an error as the seed can not get the surface and death. It does not matter if some grains are visible as the harrow tines will cover them. Sowing depth has influence in the birth, vigour of the plant and consequently in its resistance to both frost and drought. The sprouting node will be always between 1 or 2 cm. under the surface, independently of the sowing depth. Deep sowing does not mean to have deep roots. Only a few roots arise from the bottom of the seed. The main root mass is born from the sprouting node, just under the ground level.



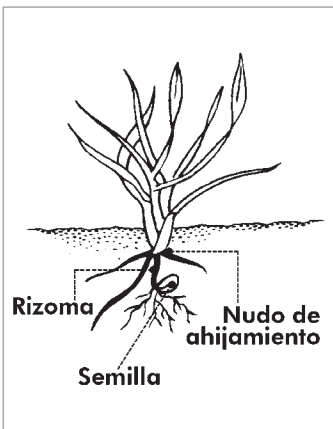
Sowing. Normal depth: from 2 to 4 cm

- Thick stem, short rizome, good freezing endurance. Multiple sprouting, from 3 to 6 shoots and a lot of blades (from 6 to 10). Big tuft of roots, 5 cms wide and 10-12 cms depth. With less grains per square meters, we will obtain more ears.



Sowing. Very deep: from 8 to 10 cm

- Very thin stem. No sprouting and a single blade. The grain reserves become depleted by forming a large rizhome, Poor tuft of roots, just 1 cm wide and 3 depth. We need twice the grains per square meter to obtain the same quantity of ears as in the first case.



Sowing. Between 5 and 6 cm

- Thin stem, rizhome exposed to freezing. Delayed and poor sprouting, one shoot (sometimes none), not many blades. Medium tuft of roots, from 3 cm wide and 5 cms. depth. We need more grains per square meter to obtain the same quantity of ears as in the first case.



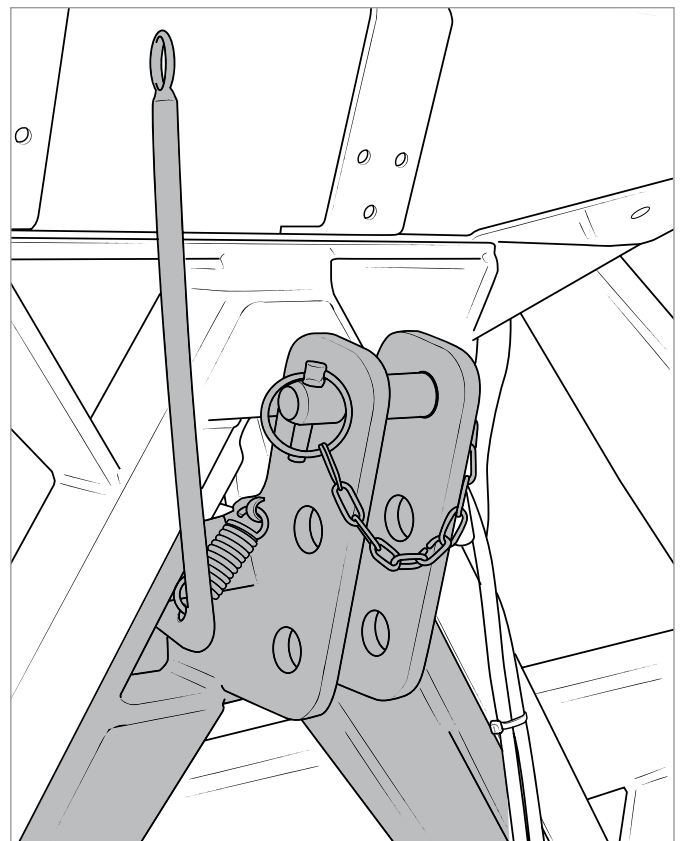
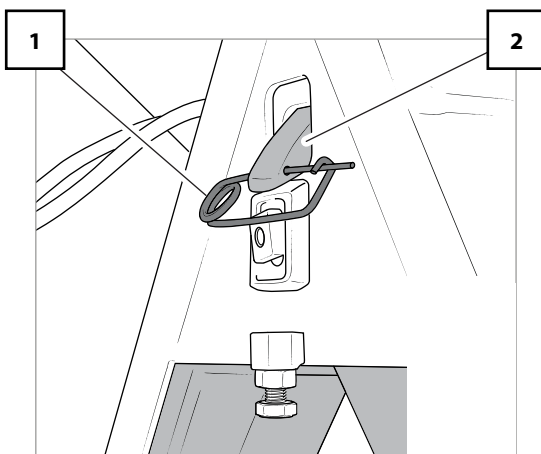
WARNING: IN VERY COLD PLACES, REPEATED FROSTBITE CAN HAVE A HONEYCOMB EFFECT ON THE GROUND'S MOST SUPERFICIAL LAYER. IN THIS CASE THE PLANT'S VERY FIRST ROOTS CAN LOOSEN AND THE PLANT WILL DIE. SLIGHTLY DEEPER PLANTING IS RECOMMENDED AND IF POSSIBLE, THE USE OF ROLLERS TO COMPACT THE EARTH TO BETTER PROTECT THE SEEDS.

5. STARTING

5.1 COUPLING THE SEED DRILL WITH HARROW

To coupling the seed drill with the harrow:

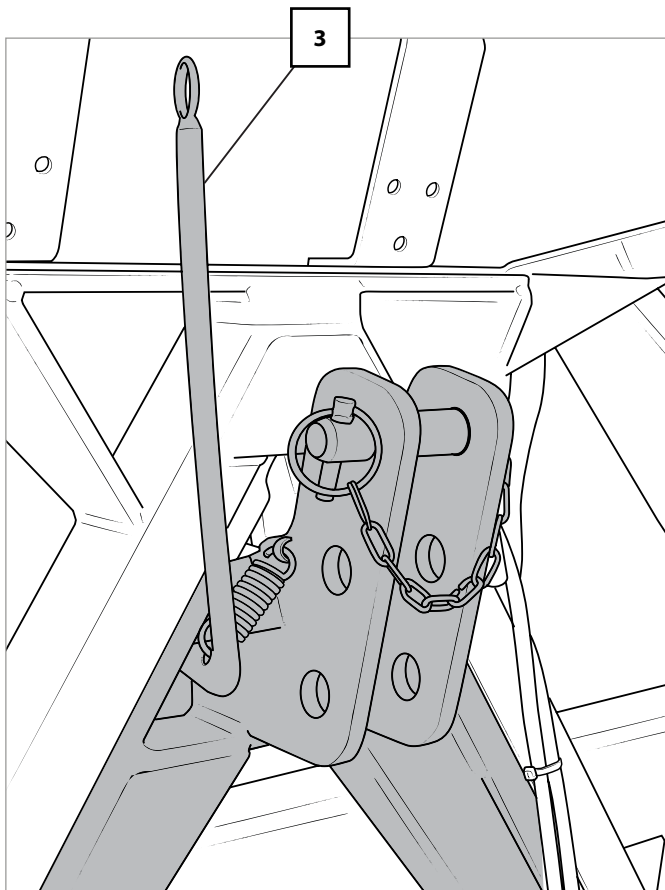
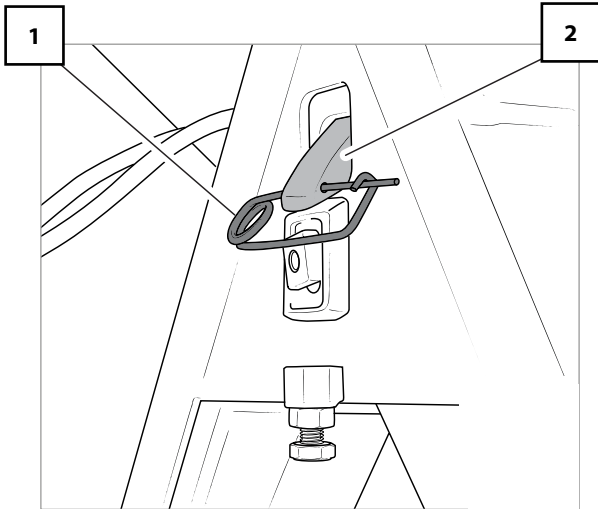
- Remove the safety link (1) of three point coupling.
- Introduce the three point coupling in the seed drill.
- Verify the pin (2) is well placed.
- Place the safety link again. (1)



STARTING

To remove the three point coupling of the seed drill to the harrow:

- Remove the safety link (1)
- Operate the lever (3) for releasing the pin (2)
- Place the safety link (1) again to avoid loss it.



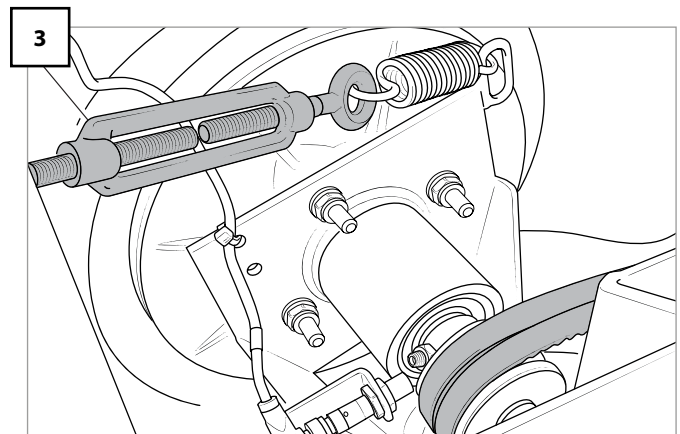
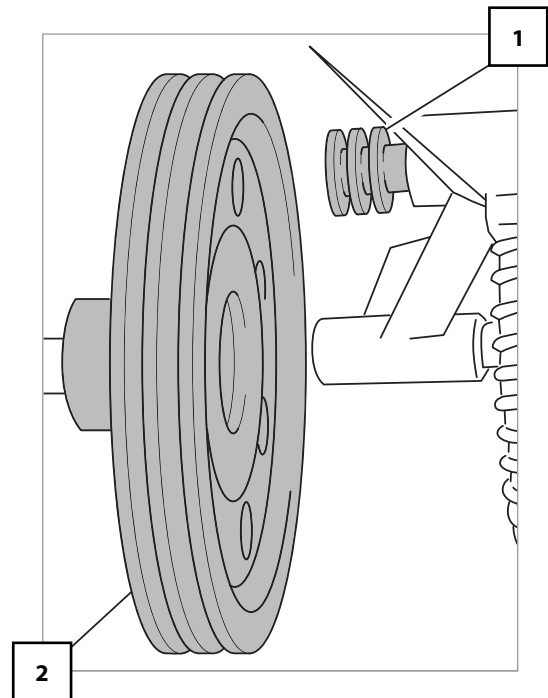
5.2 SETTING THE FAN BELTS

After coupling the harrow to the seed drill, it is very important to place distribution belts and adjust the tightening.

- Introduce the 2 belts in the seed drill pulley (1)
- Introduce the 2 belts in the harrow pulley (2)
- Setting tightening by the strut (3)



NOTE: IN THE FIRST INSTALLATION, KEEP THE PULLEYS ALIGNED DISPLACING THEM BY THE AXLES. BEFORE, WE HAVE UNSCREWED OF THE CENTRAL CONICAL ADJUSTMENT. ONCE ALIGNED SCREW THE CONICAL ALLEN BOLTS.



5.3 DOSAGE

We have two ways for doing dosage:

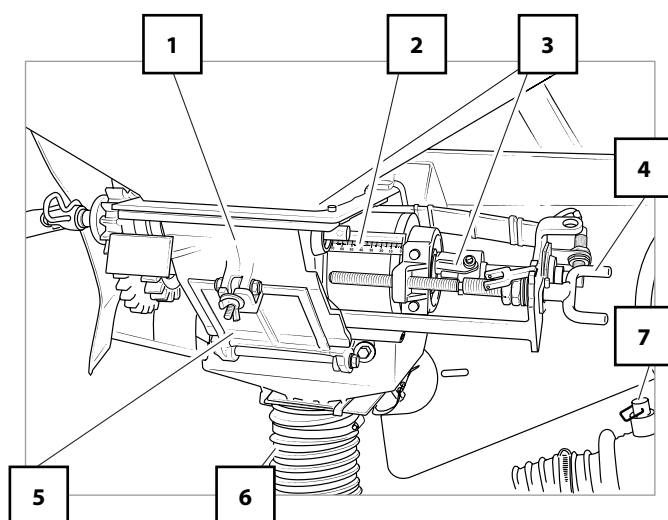
- For normal seed.
- For fine and small seed when sowing small quantities of seed.

For normal seed :

- Set the red change-over switch (3).
- Set the spring clip-butterfly (7) to position N.



DO THIS ONLY WHEN THE METERING DEVICE IS ROTATING OR THE SEED HOPPER IS EMPTY.



1. Housing
2. Metering scale
3. Red change-over switch N = normal seed F = fine or small seed
4. Spindle
5. Hopper trap-door
6. Manifold
7. Spring clip-butterfly N = normal seed F = fine or small seed

For fine seeds:

- Turn the spindle until the metering scale is in position 0.
- Turn the red change-over switch clockwise (3) until it engages in the groove in the hexagonal shaft.

The letter F on the red change-over switch will be visible. Now we can regulate from 0 to 25 of the metering scale. The spring clip on the butterfly valve of the fan (8) to position F.

For doing the flow test:

- Close the hopper trap-door and fill the hopper with seed.
- Remove the manifold by unscrewing the wing nut.
- Place a bucket under the venturi cone outlet in order to collect the seed.
- Attach the crank in the left wheel of the seed drill and turn, giving the turns number as fol

TYPE MACHINE	TURNS
300/25	41,4 turns
350/29	35,5 turns
400/33	31,1 turns

The hectare counter will indicate 250 m².

- Weight the seed collected. The seed drill flow in kg/ha will be the weight collected multiply by 40.
- If necessary repeat the operation until you consider the seed has been calibrated.
- Replace the cone venturi and secure it by the wing nut.



TO DO THE FLOW TEST MAKE SURE THE SEED DRILL IS STANDING ON FIRM LEVEL GROUND. THE TRACTOR AND THE PTO SHAFT MUST NOT BE CONNECTED.

DOSAGE TEST

Between the test done and the flow spreaded by the machine, can exist some differences, owing to the few pressure in the wheels, irregularities on the ground, etc., we can do an experimental test. With a tape measure, we can mark on the ground, the distance in meters indicated as the follows:

WORKING WIDTH	EXPERIMENTAL TEST - meters
300	83,3
350	71,4
400	62,5

Then, we can cover the market distance with the seed drill in working position. By means of a signal done in the wheel, we can count the wheel turns during the round. In this way, we obtain the turns number to do the seed dosage test. Doing the test with this number of turns, we will obtain the kgs per hectare that the machine will spread.

ADJUSTMENT OF THE SEED DOSE

With current use of high quality seed, it is not enough to set the weight that has to be distributed by the seed drill, since the final results of the harvest will depends on the number of plants that reach complete ripeness. Each plant needs or requires its living space from which feeds on. In this way, as poor could be a high plant density as a low. To know or to decide the kgs per hectare to sowing, and to know the adequate dose, we must know the num-

STARTING

ber of plants par square meter we are going to sow. By way of guidance, the plants number recommended for wheat and barley in dry land is as follows:

AUTUMN	SPRING
early sowing, 200 plants por m ²	early sowing, 310 plants por m ²
late sowing, 265 plants por m ²	late sowing, 445 plants por m ²

Notice that, in spring, sprouting is always lower and, consequently, we need to increase the quantity to sow.



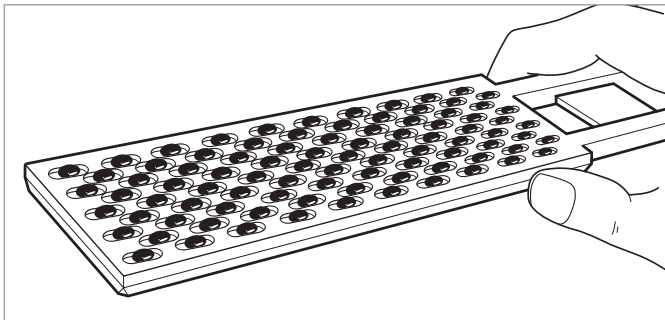
MAQUINARIA AGRÍCOLA SOLÀ, S.L., THINKS THAT IS VERY RECOMMENDABLE FOR THE FARMER, TO SEEK ADVICE ABOUT DOSAGE IN SOME TECHNICAL SOWING CENTRES.



THE SEED DOSE, MUST BE ADJUSTED TO EACH SOIL DEPENDING ON ITS TEXTURE, FERTILIZATION LEVEL, DAMPNES AND SOWING TIME, GRAIN QUALITY, GERMINATE VALUE...

Moreover, it must be took into account that the maximum germinate value is variable and depends on a lot of factors. Experimentally it can be place between 70% and 80%, that is equivalent to multiply the number of grains to sow by 1,43 or 1,25 respectively. Find as follows, a practical method to obtain the kgs per hectare we are going to sow starting from de plants per square meter we want to obtain.

1. To introduce the grains counter in the seed (drawing 10). Get out, pass the hand on in order to have only a grain for each hole (100 grains in total). Repeat the operation 10 times in order to have 1000 grains.



2. Weight the 1000 grains collected . By this operation, we will have the OPERATIF WEIGH.

3. Knowing the grains par square meter we are going to sow, kgs per hectare we have to adjust in the dosage control are:

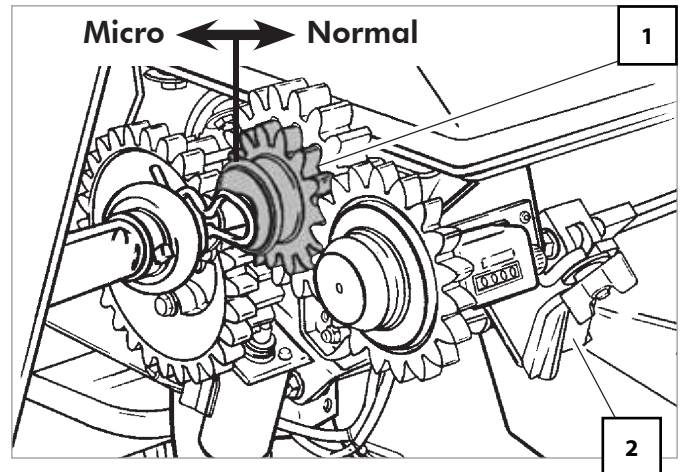
$$\text{kilos per hectare} = \frac{\text{grains per m}^2 \times \text{OPERATIF WEIGHT}}{100}$$

5.4 MICRODOSAGE

The micrometering system serves as a means of metering fine seed and extremely small quantities of seed per hectare. The advantage of the micrometering system over the standard system when handling fine seed is that the cell is twice as wide for the same seed rate. This considerably enhances the self-cleaning properties of the cells.

Pull out the red gearwheel (1) until it engages in position .

The micrometering system is now switched on. The settings are given in the calibration chart for fine seed (page 15) with the micrometering system M.



1. Read gearwheel
2. Dispenser

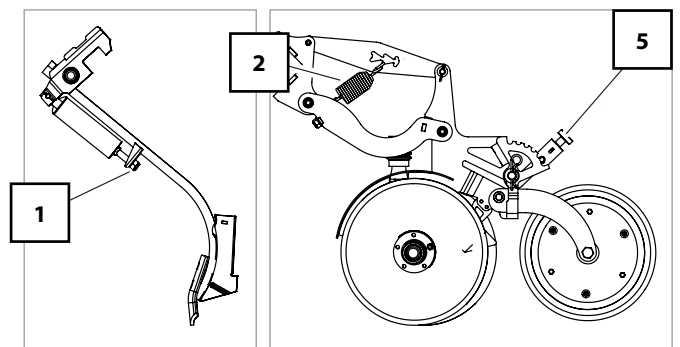


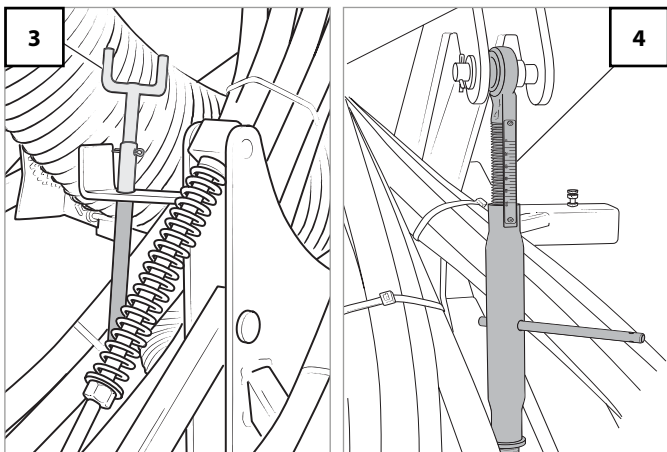
CHECK THE CLEANING BRUSH BEFORE SOWING WITH FINE SEED.

5.5 SETTING THE SOWING DEPTH

To adjust the sowing depth we can do the following operations:

- Adjusting the sowing PRESSURE arms, dependent arm:
 - Tine coulters (1).
 - Double discs (3).
 - Suffolk coulters and discs (2).
- Adjusting the working DEPTH (4).
 - * For machines with double disc must also wheel adjustable depth control (5)

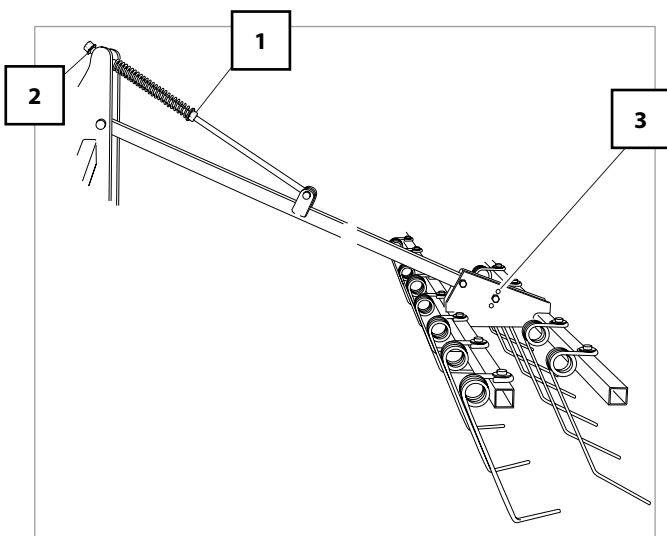




5.6 SETTING THE SPRING HARROW

The harrow has different positions for working on different ground types. We can adjust:

- **Height:**
 - tighten the lower bolt (2).
- **Pressure:**
 - tighten the upper bolt of the brace rod (2).
- **Positions:**
 - modifying the screws position (3).



5.7 HYDRAULIC TRACK MARKERS

NOTE: Sizes in cms



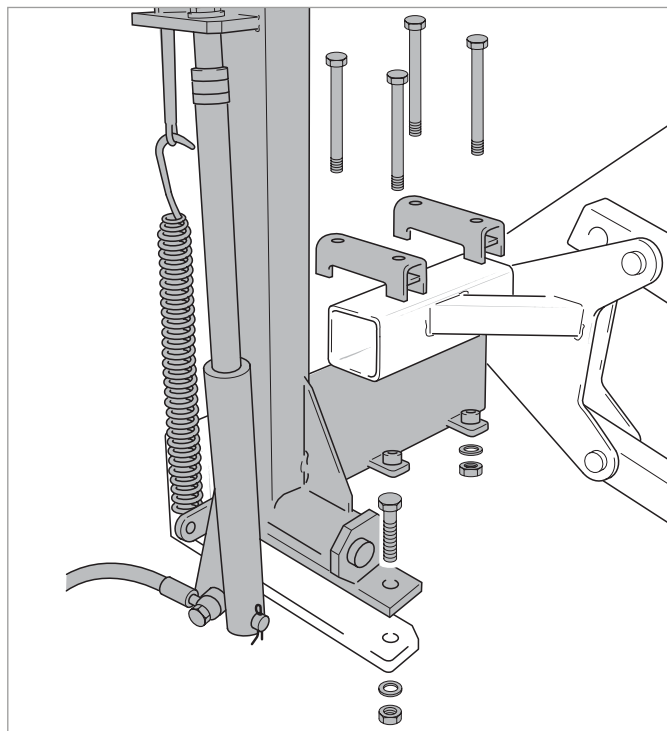
IT IS NOT ADVISABLE USE TO MUCH THE SPRING PRESSURE, TO AVOID SERIOUSLY DAMAGES.



THE PRESSURE OIL CAN PENETRATE IN THE SKIN AND CAN CAUSE INJURIES AND FIRES. BE EXTREMELY CAREFUL WITH THE HYDRAULIC CONNECTIONS AND TUBES.



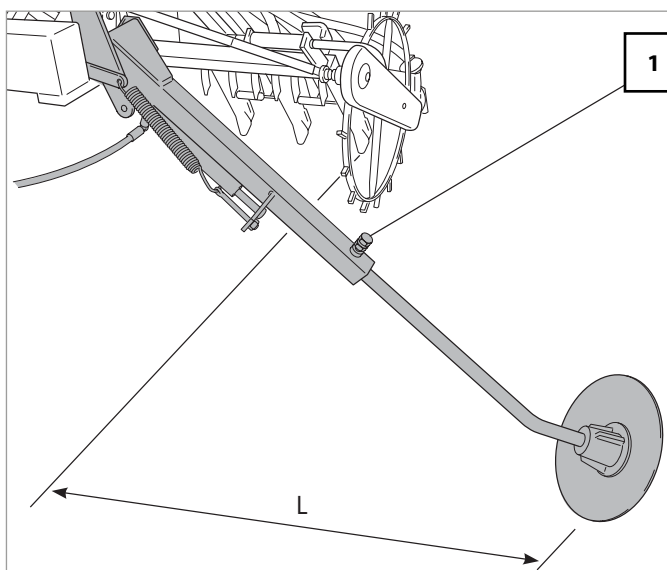
NO PERSONS MAY BE ALLOWED TO STAND WITHIN THE WORKING AREA.



Track markers are fitted in the laterals of the folding equipment. The right marker is fitted on the short support and the left marker on the long support. Their operation is hydraulic and we have to connect them to two different connectors for working in an indistinctly way. It is very important to fold the track markers and fix them with the bow pin before folding the machine for transporting.

The track markers arms are extending. We can adjust them in length and we can position the discs on the correct penetration inclination. The spring allows to adjust the disc pressure on the ground. The length of the track markers is calculated as follows:

$$L = \frac{\text{working width seed drill} - \text{track gauge wheels tractor} + \text{width of the row}}{2}$$



For setting the track markers:

- To loosen the bolt.
- Setting the track marker.
- Fix the position by the screw.
- Fix the bolt.

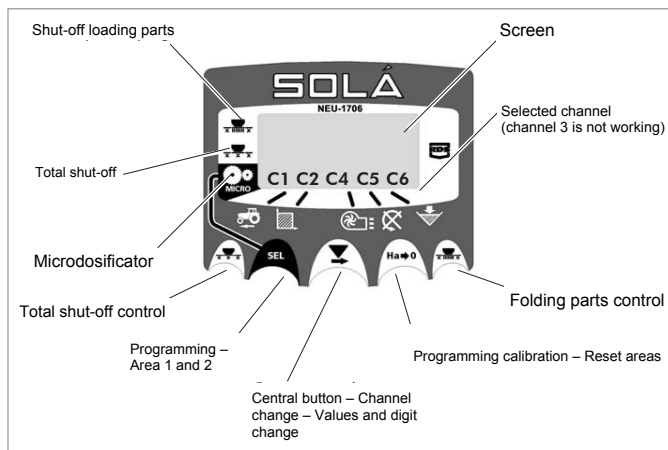
6. CONTROL MONITORS

6.1 CONTROL BOARD

This monitor is fitted as a standard in the machine. It shows the values and we can not entry in the programming.

The screen shows 6 channels and 3 arrows indicating the situation.

- C1:** show the speed en m/sec.
- C2:** show two different hectares (ex. Partial and total).
- C3:** is not working.
- C4:** show the fan speed (rpm).
- C5:** show the distributor speed (rpm).
- C6:** show the seed level.



The information shown on the screen is the speed. A signal alarm and the word "alarm" on the screen appears when there is an error. The alarm does not disappear until the problem is solved.

To visualize the reading we want, press the central button and move the channel. After 10 seconds, the reading returns to C1.

6.2 ADVANCE SPEED – C1

To select the channel by the central button. Below 2.6 km/h, the alarm goes off. We can deactivate the alarm going to the programming mode 2.

Speed sensor calibration

We can obtain a theoretical calibration according in the programming mode 2.

1. Select the speed channel (C1).
2. Press "SEL" to access in mode 1. Keeping pressed it, press the central button (v) for changing the digit.
3. Keep the central button pressed during some seconds to modify the digit value according to the following chart.

300	350	400
1,340	1,340	1,340

4. The monitor will return to the normal position.

NOTE: It exists a way to calibrate the number of boosts. This system is more precise and it requires a test on the land.

Speed sensor calibration

1. Mark 100 mts.
2. Select channel 1 (speed)
3. Press "SEL" and keeping pressed, press "Ha-0". On the screen will appear AutO.
4. Cover now the marked 100 metres. The monitor counts the sensor boosts.
5. To finish press "Ha-0" again. The monitor has memorized the boosts number.

6.3 TOTAL AREA / SEED DRILL WIDTH – C2

We can mark two total areas and independent one of the other.

Total area visualization

1. Select channel 2.
2. Press "SEL" to see total area 1 and total 2 "tot.1" and "tot.2". First we visualize on the screen "tot.1" and then its value in Ha.

Total areas reset

1. Select channel 2.
2. Press "SEL" to visualize.
3. Press during more than 5 seconds the button "Ha-0".

6.4 FAN SPEED / ALARMS – C4

Fan speed display

Select channel 4 by the central button.

Fan speed alarms

We can program the minimal speed of the fan turns. Below 2 km/h the alarms are deactivated.

Minimal speed of the fan

1. Select channel 4.
2. Press "SEL" during more than 5 seconds and keep press.
3. Press central button to change digit and value. By default 3800 rpm.
4. To return to the normal position do not press the button.

Boosts number selection by fan turn (by default 2).

NOTE: The number of boosts by fan turn is always 2. Only we have to access in programming mode in case of error.

1. Press "SEL" while we connect the monitor by the rear switch, to access in mode 2.
2. Press "SEL" for changing channel and go to channel 4 (fan).
3. Press central button to modify the flicking digit and keep pressed to modify its value (always must be 2).
4. Depress to return to the normal position.

6.5 DISTRIBUTOR - C5

Select channel 5 by central button. When the axis stop, after 40 seconds the alarm sounds (5 beeps). If the axis does not turn the alarm repeats each 30 seconds. To stop the alarm, stop the monitor and activate it again. The alarm of the axis can stop pressing the button "Ha-0" during more than 5 seconds. Screen shows "Off". In this situation the alarm does not work.

6.6 LEVEL HOPPER ALARM – C6

When the seed level is low a signal alarm (5 beeps) will warn and on the screen appears ALAr.

Activate and deactivate the hopper seed level alarm.

1. Select channel 6 by central button
2. Press button "SEL" and...
3. Press central button for selecting "0" (deactivated) or "1" (activated)
4. Depress to return to the normal position.

7. MAINTENANCE

7.1 GREASING

Grease every day all the articulations of the transmission.

7.2 SCREW WORKS

After some working hours, all bolts must be verified and tightened if necessary. We supply a special key, a tube key, located inside the hopper, for the hold-down screw.

7.3 DISTRIBUTOR HEAD AND TUBES

Before working it is very important to verify that the seed delivery tubes and the distributor head are not blocked.

For this, with the operating fan and with the full hopper:

- We will give some turns to the wheel.
- verify that the seed falls through the arms.
- switch-off the machine
- disconnect the head cover to verify that anything is inside.

8. DOSAGE TABLES



THE QUANTITIES SHOWN AT THE TABLES ARE FOR GUIDANCE ONLY. THE FLOW CAN CHANGE DUE TO PRESERVATION POWDERS, SEED SIZES, DENSITY, HUMIDITY...



FOR A PRECISION SOWING, WE ADVISE YOU TO FOLLOW THE DOSAGE

NEU 2512 (3M)

SEED	Spec. weight (kg/l)	Regular seeds kg/ha (Bolt in position N)											Fine seeds kg/ha (Bolt in position F)					
		WHEAT	RYE	BARLEY	OATS	BEAN	PEAS	LUPIN	CAROB BEAN	CORN	GRASS		RAPE	CLOVER	GRASS	ROOT VEGETABLE		
Adj. dosing scale value	(kg/l)	0,77	0,74	0,68	0,5	0,85	0,81	0,76	0,83	0,79	0,36		0,65	0,8	0,39	0,7		
5*		-	-	-	-	-	-	-	-	-	-		3,58	1,79	3,81	1,93	4,26	2,02
10*		56,0	56,0	53,8	39,7	37,9	35,8	47,0	53,8	13,4	-		7,62	3,81	8,74	4,26	7,62	4,03
15*		85,1	82,9	80,5	57,8	69,3	67,2	76,2	85,1	40,3	31,4		11,41	5,60	14,34	7,17	12,53	6,19
20*		116	112	107	77,6	103	98,6	103	116	78,4	42,6		15,2	7,62	20,2	10,08	16,8	8,40
25*		144	139	132	95,7	132	130	132	150	116	56,0		19,0	9,62	25,8	12,77	21,1	10,53
30		175	168	159	119	163	163	161	181	155	69,3		23,1	11,41	30,2	15,2	25,1	12,53
35		206	197	186	137	195	197	190	213	193	82,9		26,7	13,22	35,6	17,7	29,3	14,68
40		235	224	213	157	226	228	217	244	231	-		30,5	15,2	40,3	20,2	33,6	16,8
45		264	253	240	177	258	260	246	278	262	-		34,5	17,2	44,6	22,2	36,1	18,0
50		291	282	267	197	289	291	276	309	293	-		38,3	19,0	46,0	23,1	38,6	19,3
55		323	309	291	217	320	325	305	339	325	-		N	M	N	M	N	M
60		352	336	320	237	352	358	332	372	356	-		N	M	N	M	N	M
65		383	365	345	258	383	390	363	404	388	-		N	M	N	M	N	M
70		414	394	372	278	414	421	392	437	419	-		N	M	N	M	N	M
75		444	423	399	298	446	451	421	468	448	-		N	M	N	M	N	M
80		473	451	423	318	475	484	450	500	479	-		N	M	N	M	N	M
85		500	482	450	336	506	520	479	531	511	-		N	M	N	M	N	M
90		531	506	477	356	538	551	506	563	542	-		N	M	N	M	N	M
95		562	535	504	376	567	581	538	596	572	-		N	M	N	M	N	M
100		590	563	531	395	598	614	563	627	605	-		N	M	N	M	N	M
105		619	594	558	417	627	646	594	661	637	-		N	M	N	M	N	M
110		650	623	585	437	661	679	623	692	668	-		N	M	N	M	N	M

PREVIOUS FLOW TEST	Seed drill	Turns
	300 (3 meters).....	41,4
	350 (3,5 meters).....	35,5
	400 (4 meters).....	31,1

Number of turns performed to the small wheel to simulate the sowing of 250m².
Flow in kg/ha is obtained by multiplying collected weight by 40.

* If you want to sow small quantities (seeding roller <= 25mm), you can obtain a most uniform sowing through the micro-dosage, even in normal sowing (cereal and thick seeds)

NEU 2512 (3,5M)

SEED	WHEAT	RYE	BARLEY	OATS	BEAN	PEAS	LUPIN	CAROB BEAN	CORN	GRASS	Spec. weight (kg/l)	RAPE	CLOVER	GRASS	ROOT VEGETABLE				
																Regular seeds kg/ha (Bolt in position N)	Fine seeds kg/ha (Bolt in position F)		
Spec. weight (kg/l)	0,77	0,74	0,68	0,5	0,85	0,81	0,76	0,83	0,79	0,36	0,65	0,8	0,39	0,7					
Adj. dosing scale value																			
5*	-	-	-	-	-	-	-	-	-	-	2,5	3,06	1,53	3,27	1,66	-	3,65	1,73	
10*	48,0	48,0	46,1	34,1	32,5	30,6	40,2	46,1	11,5	-	5	6,53	3,27	7,49	3,65	-	6,53	3,45	
15*	72,9	71,0	69,0	49,5	59,4	57,6	65,3	72,9	34,5	26,9	7,5	9,78	4,80	12,29	6,14	4,02	2,01	10,74	5,31
20*	99,8	96,0	92,1	66,6	88,2	84,5	88,2	99,8	67,2	36,5	10	13,05	6,53	17,3	8,64	7,49	3,65	14,39	7,20
25*	123	119	113	82,0	113	111	113	129	99,8	48,0	12,5	16,3	8,25	22,1	10,94	10,37	5,19	18,1	9,02
30	150	144	136	102	140	140	138	155	132	59,4	15	19,8	9,78	25,8	13,05	13,25	6,62	21,5	10,74
35	176	169	159	118	167	169	163	183	166	71,0	17,5	22,9	11,33	30,5	15,2	16,1	8,06	25,1	12,58
40	201	192	183	135	193	195	186	209	198	-	20	26,2	13,05	34,5	17,3	19,0	9,41	28,8	14,39
45	226	217	206	152	221	223	211	238	224	-	22,5	29,6	14,8	38,2	19,0	21,5	10,74	31,0	15,5
50	249	241	229	169	248	249	237	265	251	-	25	32,8	16,3	39,5	19,8	23,4	11,70	33,1	16,6
55	277	265	249	186	274	279	262	291	279	-	N	N	M	N	M	N	M	N	M
60	302	288	274	203	302	306	285	319	305	-	N = regular speed		M = microdosing						
65	328	313	296	221	328	334	311	347	333	-	PREVIOUS FLOW TEST								
70	354	337	319	238	354	361	336	375	359	-	Seed drill								
75	381	362	342	255	382	387	361	401	384	-	Trrns								
80	406	387	362	272	407	415	385	429	410	-	300 (3 meters).....								
85	429	413	385	288	433	446	410	455	438	-	350 (3,5 meters).....								
90	455	433	409	305	461	472	433	483	464	-	400 (4 meters).....								
95	481	458	432	322	486	498	461	511	491	-									
100	506	483	455	339	512	526	483	537	519	-									
105	531	509	478	358	537	554	509	567	546	-									
110	557	534	501	375	567	582	534	593	573	-									

* If you want to sow small quantities (seeding roller <= 25mm), you can obtain a most uniform sowing through the micro-dosage, even in normal sowing (cereal and thick seeds)

NEU 2512 (4M)

SEED	WHEAT	RYE	BARLEY	OATS	BEAN	PEAS	LUPIN	CAROB BEAN	CORN	GRASS	RAPE	CLOVER	GRASS	ROOT VEGETABLE					
															Spec. weight (kg/l)	0,77	0,74	0,68	0,5
Spec. weight (kg/l)	Regular seeds kg/ha (Bolt in position N)											Fine seeds kg/ha (Bolt in position F)							
Adj. dosing scale value	Regular seeds kg/ha (Bolt in position N)											Fine seeds kg/ha (Bolt in position F)							
5*	-	-	-	-	-	-	-	-	-	-	-	2,68	1,34	2,86	1,45	-	-	3,20	1,52
10*	42,0	42,0	40,4	29,8	28,4	26,8	35,2	40,4	10,1	-	-	5,72	2,86	6,56	3,20	-	-	5,72	3,02
15*	63,8	62,2	60,4	43,3	52,0	50,4	57,2	63,8	30,2	23,6	-	8,56	4,20	10,75	5,38	3,52	1,76	9,40	4,65
20*	87,4	84,0	80,6	58,2	77,2	73,9	77,2	87,4	58,8	32,0	32,0	11,42	5,72	15,2	7,56	6,56	3,20	12,60	6,30
25*	108	104	99,1	71,8	99,1	97,4	99,1	113	87,4	42,0	42,0	14,22	7,22	19,4	9,58	9,07	4,54	15,8	7,90
30	131	126	119	89,4	123	123	121	135	116	52,0	52,0	17,3	8,56	22,6	11,42	11,59	5,80	18,8	9,40
35	154	148	139	103	146	148	142	160	145	62,2	62,2	20,0	9,91	26,7	13,27	14,1	7,06	21,9	11,01
40	176	168	160	118	169	171	163	183	173	-	-	22,9	11,42	30,2	15,2	16,7	8,23	25,2	12,60
45	198	190	180	133	194	195	184	209	196	-	-	25,9	12,93	33,5	16,7	18,8	9,40	27,1	13,53
50	218	211	200	148	217	218	207	232	219	-	-	28,7	14,22	34,5	17,3	20,5	10,24	29,0	14,5
55	242	232	218	163	240	244	229	255	244	-	-	N	M	N	M	N	M	N	M
60	264	252	240	177	264	268	249	279	267	-	-	N = regular speed			M = microdosing				
65	287	274	259	194	287	293	272	303	291	-	-	PREVIOUS FLOW TEST							
70	310	295	279	209	310	316	294	328	314	-	-	Seed drill			Trrns				
75	333	317	299	223	335	339	316	351	336	-	-	300 (3 meters).....			41,4				
80	355	339	317	238	356	363	337	375	359	-	-	350 (3,5 meters).....			35,5				
85	375	362	337	252	379	390	359	398	383	-	-	400 (4 meters).....			31,1				
90	398	379	358	267	404	413	379	423	406	-	-	Number of turns performed to the small wheel to simulate the sowing of 250m ² . Flow in kg/ha is obtained by multiplying collected weight by 40.							
95	421	401	378	282	425	436	404	447	429	-	-								
100	443	423	398	297	448	460	423	470	454	-	-								
105	465	446	418	313	470	485	446	496	478	-	-								
110	488	467	439	328	496	509	467	519	501	-	-								

* If you want to sow small quantities (seeding roller <= 25mm), you can obtain a most uniform sowing through the micro-dosage, even in normal sowing (cereal and thick seeds)

9. SPARE PARTS

The terms **RIGHT, LEFT, FRONT and REAR** refer to the machine in its starting direction (fig. 39).

When guidance describes parts that have a matching pair (symmetrical handles, wheels etc) only one will be demonstrated in the drawings shown. Please search for the distinguishing reference in the spare parts list.

The number and type of the machine can be found on the machine's **IDENTIFICATION PLATE**, on the front part of the frame.



BE CAREFUL WHEN MAINTAINING THE SEED DRILL, SHARP EDGES CAN CAUSE INJURY.

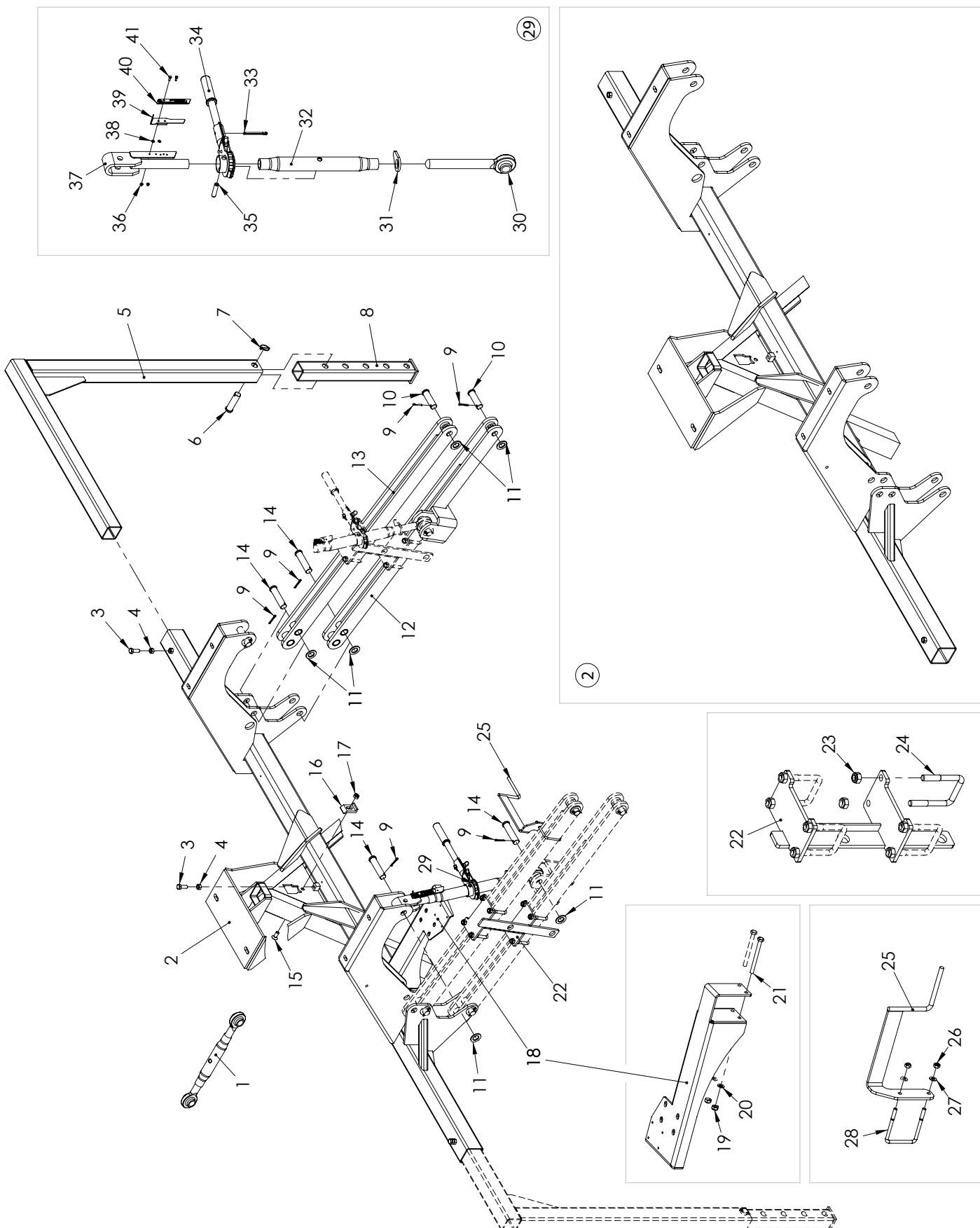


DO NOT WORK UNDER THE MACHINE WHEN IT IS RAISED.



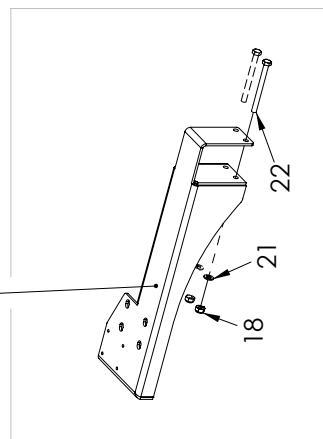
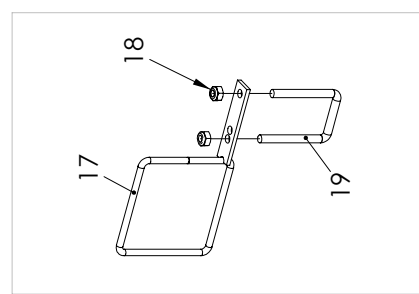
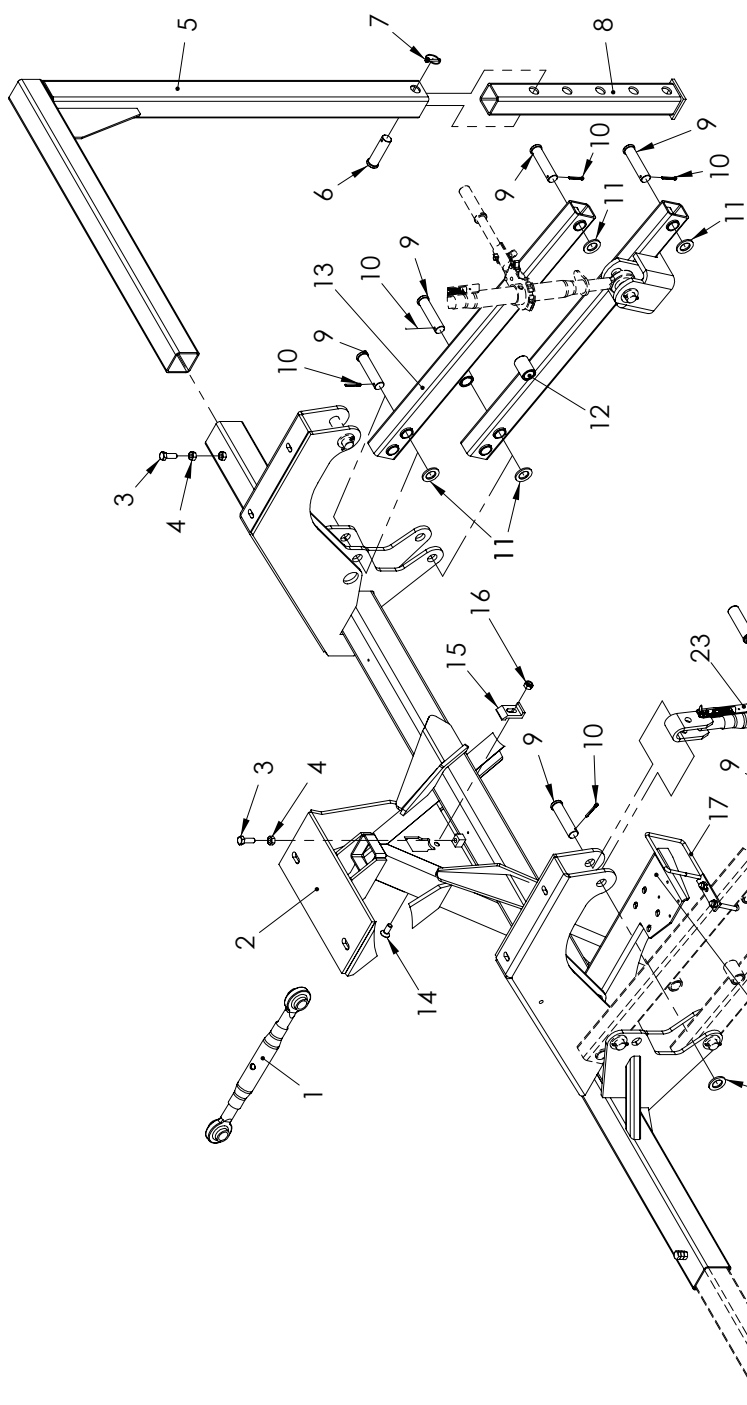
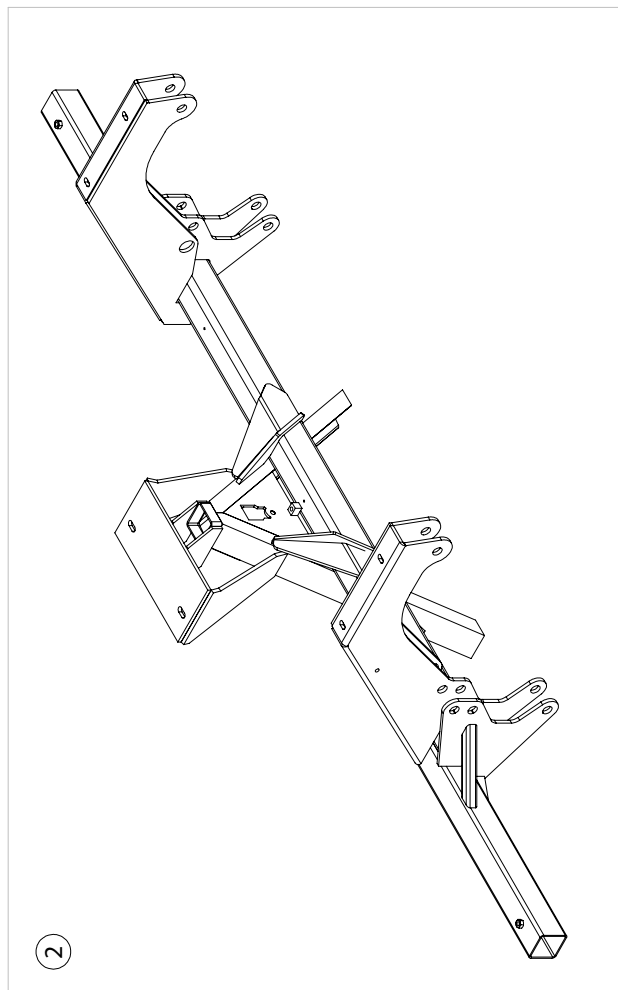
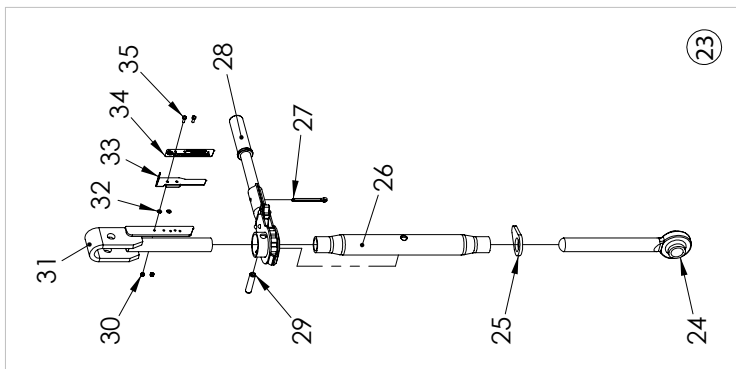
9.1 TINE COULTERS FRAME

N°	REF	DESCRIPTION
1	FE-613006	TENSOR TERCER PUNTO M27 L=360/485 Ø 26
2	PS-012425	CHASIS PRINCIPAL NEU-2512
3	933 12X35 8.8 B	TORNILLO DIN 933 M 12X35 8.8 BI
4	934 12 BI	TUERCA DIN 934 M12 BI
5	PS-012401	PIE DELANTERO NEU 1706
6	BU-061305	BULON Ø 25 X 84 F-114
7	FE-610012	PASADOR DE ANILLA Ø4,5
8	PS-012404	PIE TELESCOPICO DELANTERO NEU-1706
9	94 5X35 BI	PASADOR DE ALETAS DIN 94 M 5X35 BI
10	BU-042000	BULON BRAZO-HUSILLO SD-1303
11	125 25 BI	ARANDELA PLANA DIN 125 M25 BI STANDARD
12	PS-052418/D	BRAZO INFERIOR DER. PARALELOGRAMO NEU-2512
12	PS-052418/I	BRAZO INFERIOR IZQ. PARALELOGRAMO NEU-2512
13	PS-052406	BRAZO SUPERIOR PARALELOGRAMO NEU-1706 REJAS
14	BU-051304	BULON 25 X 100 BI NEUMASEM
15	7991 12X30 BI	TORNILLO DIN 7991 12X30 BI
16	ME-012453	CUÑA GATILLO ENGANCHE NEU-2512
17	985 12	TUERCA DIN 985 M12
18	PS-042459	SOPORTE SUPERIOR TRANSMISION NEU-2512
19	985 10	TUERCA DIN 985 M10
20	125 10 BI	ARAN PLANA DIN 125 M10 BI
21	931 10x110 8.8 B	TORNILLO DIN 931 M 10X110 8.8 BICROMATADO
22	PS-102411	SOPORTE CARGA NEU-2512 REJAS NEU-2512
23	985 12	TUERCA DIN 985 M12
24	EE-053110	BRIDA TUBO 60 M-12X88 LAMUSA
25	PS-102412	SOPORTE SEPARADOR TUBOS SEMILLA
26	985 8	TUERCA DIN 985 M8
27	125 8 BI	ARANDELA PLANA DIN-125 M8 BICROMATADA
28	EE-072807	BRIDA "U" 70 M8 L=90
29	MO-052808	TENSOR 1 1/8" L=500/770 COMPLETO
30	FE-613020	FINAL TENSOR CON ROSCA DER. 1 1/8" L=247
31	FE-613019	CONTRATUERCA BLOQUEO TENSOR
32	FE-613018	CUERPO TENSOR 1 1/8" L=368
33	94 6X60 BI	PASADOR DE ALETAS DIN 94 M 6X60 BI
34	FE-613011	TRINQUETE PARA TENSOR 1 1/8" S-13049
35	1481 12X50 BI	PASADOR ELASTICO DIN 1481 Ø12X50 BI
36	985 4	TUERCA DIN 985 M-4
37	PS-052819	GUIA TENSOR ROSCADO
38	125 4 BI	ARANDELA PLANA DIN 125 M4 BI
39	PX-052854	BASE FIJACION NIVEL TENSOR
40	AD-052800	NIVEL CONTROL PROFUNDIDAD TENSOR
41	933 4X12 8.8 B	TORNILLO DIN 933 M 4X12 8.8 BICROMATADO



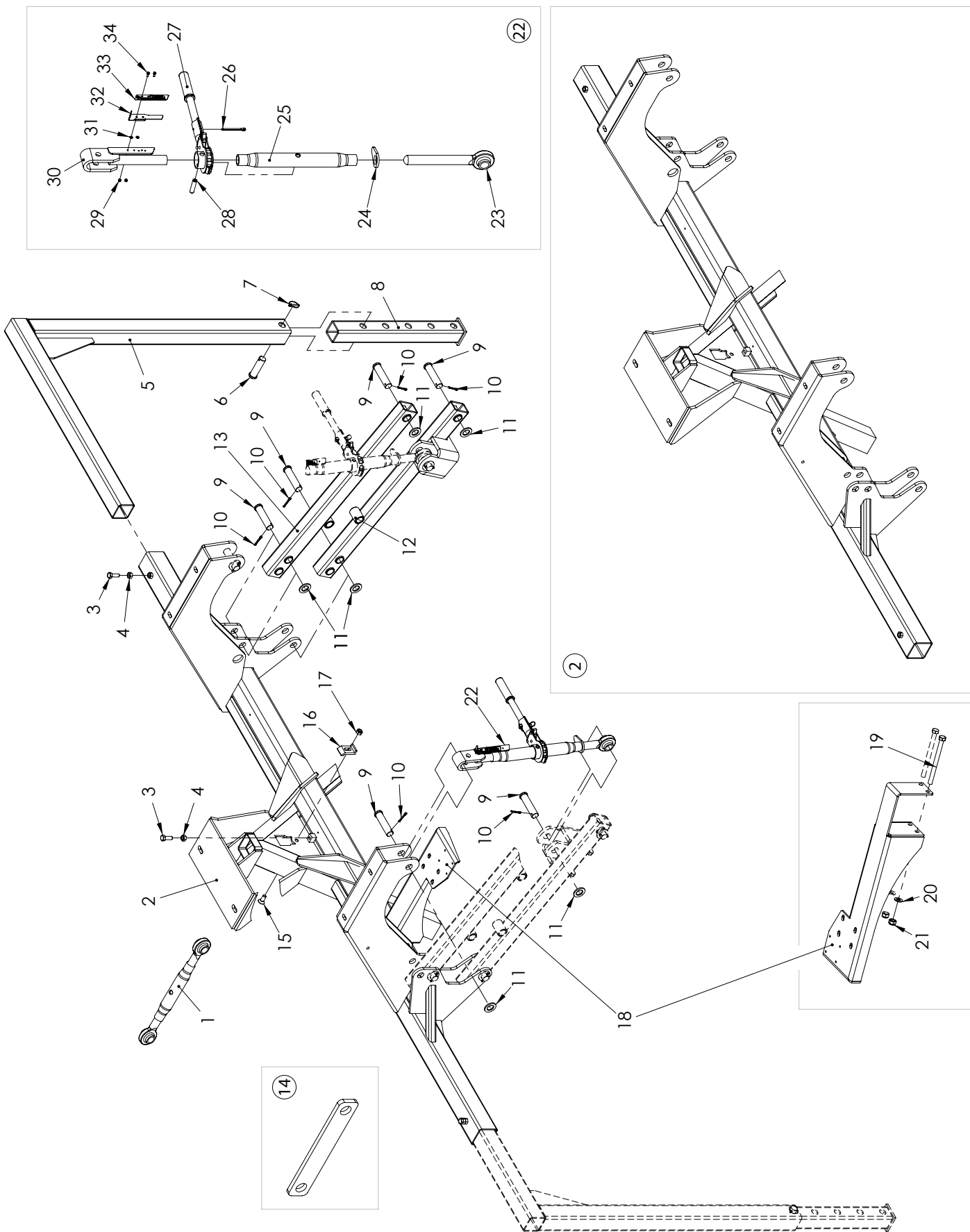
9.2 DISCS AND SUFFOLK COULTERS FRAME

N°	REF	DESCRIPTION
1	FE-613006	TENSOR TERCER PUNTO M27 L=360/485 Ø 26
2	PS-012425	CHASIS PRINCIPAL NEU-2512
3	933 12X35 8.8 B	TORNILLO DIN 933 M 12X35 8.8 BI
4	934 12 BI	TUERCA DIN 934 M12 BI
5	PS-012401	PIE DELANTERO NEU 1706
6	BU-061305	BULON Ø 25 X 84 F-114
7	FE-610012	PASADOR DE ANILLA Ø4,5
8	PS-012404	PIE TELESCOPICO DELANTERO NEU-1706
9	BU-051304	BULON 25 X 100 BI NEUMASEM
10	94 5X35 BI	PASADOR DE ALETAS DIN 94 M 5X35 BI
11	125 25 BI	ARANDELA PLANA DIN 125 M25 BI STANDARD
12	PS-052419/D	BRAZO INFERIOR DER. NEU-2512
12	PS-052419/I	BRAZO INFERIOR IZQ. NEU-2512
13	PS-052421	BRAZO PARALELOG. SUPERIOR DOBLE DISCO NEU-2512
14	7991 12X30 BI	TORNILLO DIN 7991 12X30 BI
15	ME-012453	CUÑA GATILLO ENGANCHE NEU-2512
16	985 12	TUERCA DIN 985 M12
17	TA-072409	GUIA TUBOS DISCOS Y BOTAS NEU-2512
18	985 10	TUERCA DIN 985 M10
19	EE-072403	BRIDA "U" TUBO 50X70 M10
20	PS-042459	SOPORTE SUPERIOR TRANSMISION NEU-2512
21	125 10 BI	ARAN PLANA DIN 125 M10 BI
22	931 10x110 8.8 B	TORNILLO DIN 931 M 10X110 8.8 BICROMATADO
23	MO-052808	TENSOR 1 1/8" L=500/770 COMPLETO
24	FE-613020	FINAL TENSOR CON ROSCA DER. 1 1/8" L=247
25	FE-613019	CONTRATUERCA BLOQUEO TENSOR
26	FE-613018	CUERPO TENSOR 1 1/8" L=368
27	94 6X60 BI	PASADOR DE ALETAS DIN 94 M 6X60 BI
28	FE-613011	TRINQUETE PARA TENSOR 1 1/8" S-13049
29	1481 12X50 BI	PASADOR ELASTICO DIN 1481 Ø12X50 BI
30	985 4	TUERCA DIN 985 M-4
31	PS-052819	GUIA TENSOR ROSCADO
32	125 4 BI	ARANDELA PLANA DIN 125 M4 BI
33	PX-052854	BASE FIJACION NIVEL TENSOR
34	AD-052800	NIVEL CONTROL PROFUNDIDAD TENSOR
35	933 4X12 8.8 B	TORNILLO DIN 933 M 4X12 8.8 BICROMATADO



9.3 DOUBLE DISCS FRAME

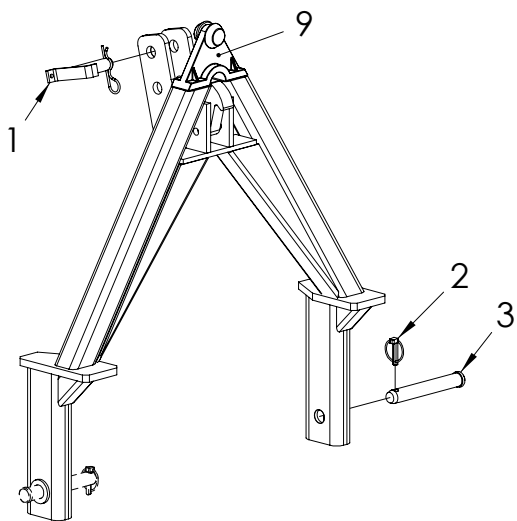
N°	REF	DESCRIPTION
1	FE-613006	TENSOR TERCER PUNTO M27 L=360/485 Ø 26
2	PS-012426	CHASIS PRINCIPAL NEU-2512 DOBLE DISCO
3	933 12X35 8.8 B	TORNILLO DIN 933 M 12X35 8.8 BI
4	934 12 BI	TUERCA DIN 934 M12 BI
5	PS-012401	PIE DELANTERO NEU 1706
6	BU-061305	BULON Ø 25 X 84 F-114
7	FE-610012	PASADOR DE ANILLA Ø4,5
8	PS-012404	PIE TELESCOPICO DELANTERO NEU-1706
9	BU-051304	BULON 25 X 100 BI NEUMASEM
10	94 5X35 BI	PASADOR DE ALETAS DIN 94 M 5X35 BI
11	125 25 BI	ARANDELA PLANA DIN 125 M25 BI STANDARD
12	PS-052419/D	BRAZO INFERIOR DER. NEU-2512
12	PS-052419/I	BRAZO INFERIOR IZQ. NEU-2512
13	PS-052421	BRAZO PARALELOG. SUPERIOR DOBLE DISCO NEU-2512
14	PX-102430	TIRANTE CARGA NEU DOBLE DISCO NEU-2512
15	7991 12X30 BI	TORNILLO DIN 7991 12X30 BI
16	ME-012453	CUÑA GATILLO ENGANCHE NEU-2512
17	985 12	TUERCA DIN 985 M12
18	PS-042460	SOPORTE SUPERIOR TRANSMISION NEU-2512 D.D.
19	931 12X160 8.8B	TORNILLO DIN 931 M12X160 8.8 BICROMATADO
20	125 12 BI	ARANDELA PLANA DIN 125 12 BI
21	985 12	TUERCA DIN 985 M12
22	MO-052808	TENSOR 1 1/8" L=500/770 COMPLETO
23	FE-613020	FINAL TENSOR CON ROSCA DER. 1 1/8" L=247
24	FE-613019	CONTRATUERCA BLOQUEO TENSOR
25	FE-613018	CUERPO TENSOR 1 1/8" L=368
26	94 6X60 BI	PASADOR DE ALETAS DIN 94 M 6X60 BI
27	FE-613011	TRINQUETE PARA TENSOR 1 1/8" S-13049
28	1481 12X50 BI	PASADOR ELASTICO DIN 1481 Ø12X50 BI
29	985 4	TUERCA DIN 985 M-4
30	PS-052819	GUIA TENSOR ROSCADO
31	125 4 BI	ARANDELA PLANA DIN 125 M4 BI
32	PX-052854	BASE FIJACION NIVEL TENSOR
33	AD-052800	NIVEL CONTROL PROFUNDIDAD TENSOR
34	933 4X12 8.8 B	TORNILLO DIN 933 M 4X12 8.8 BICROMATADO



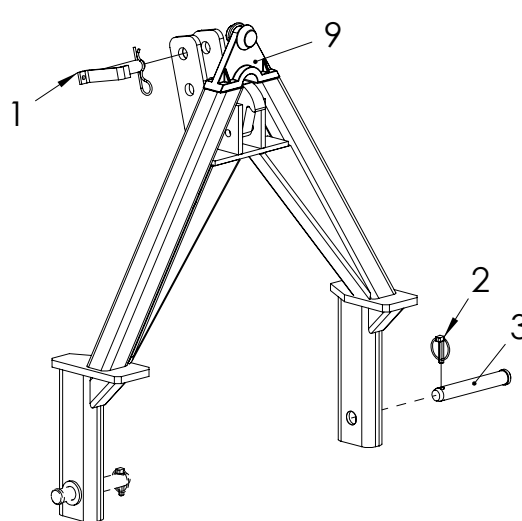
9.4 HITCH ROTARY HARROW

N°	REF	DESCRIPTION
1	RE-012400	BULON DEL TRIANGULO DE ENGANCHE MACHO NEU-1706
2	FE-610008	PASADOR DE ANILLA 11 MM.
3	BU-091700	BULON Ø 28X195
4	CT-012409	REFUERZO TRIANGULO DE ENGANCHE NEU-1706
5	EE-012409	ARANDELA REFUERZO ENGANCHE NEU-1706
6	EE-012408	ARANDELA REFUERZO TRIANGULO NEU-1706
7	CT-012420	TUBO ENGANCHE SERIE SMART NEU-1706
8	CT-012422	REFUERZO UNION TRIANGULO DE ENGANCHE NEU-1706
9	PS-012408	TRIANGULO ENGANCHE FALC SERIE SMART 3000 NEU-1706
10	PS-012409	TRIANGULO ENGANCHE FALC MAGNUM 3000 NEU-1706
11	PS-012410	TRIANGULO ENGANCHE KUHN HR 3003D NEU-1706
12	PS-012427	TRIANGULO ENGANCHE GENERICO NEU-2512
13	EO-012400	ENGANCHE CORREAS PARA FALC SMART NEU-1706
14	EO-012401	ENGANCHE CORREAS PARA FALC SUPER SMART NEU-1706
15	EO-012402	ENGANCHE CORREAS PARA FALC MAGNUM NEU-1706
16	EO-012404	ENGANCHE PARA KUHN HR 3003D
17	EO-012405	ENGANCHE GENERICO NEU-2512

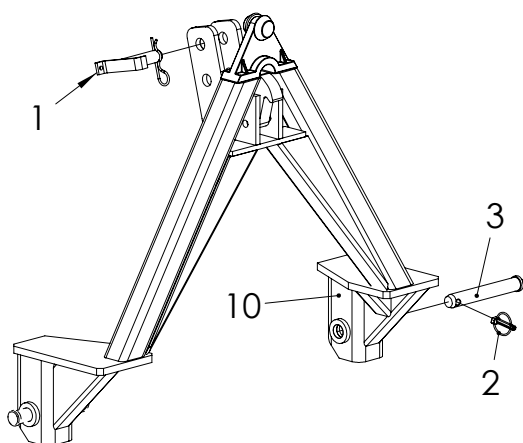
13 FALC SMART



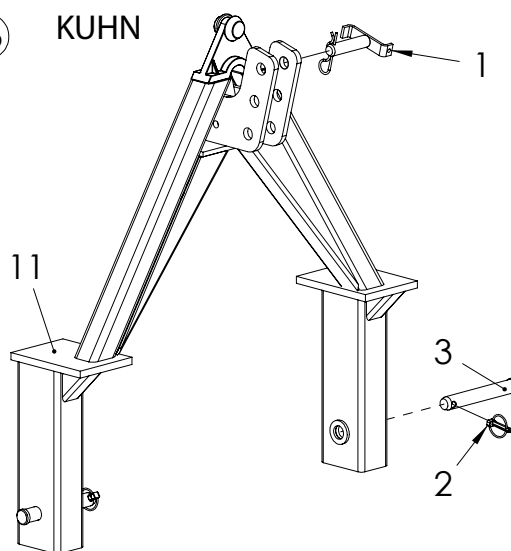
14 FALC SUPER SMART



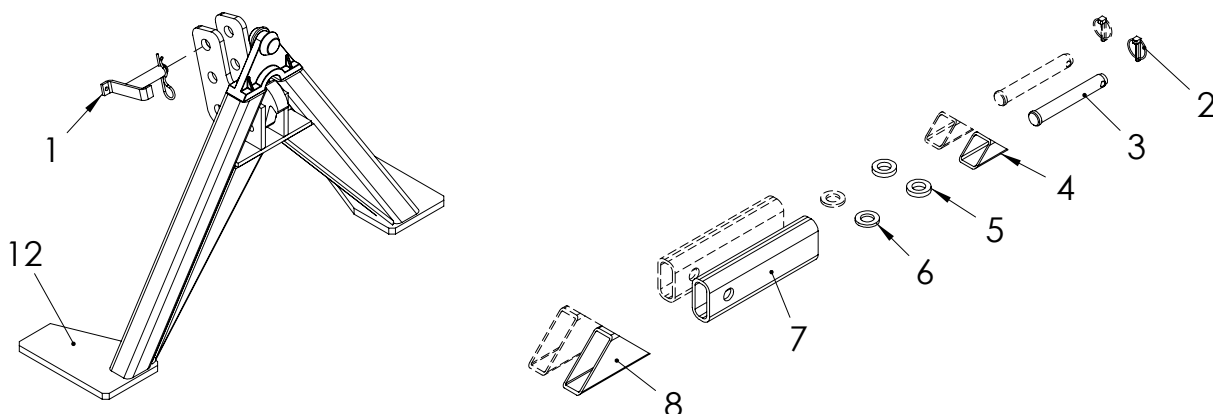
15 FALC MAGNUM



16 KUHN

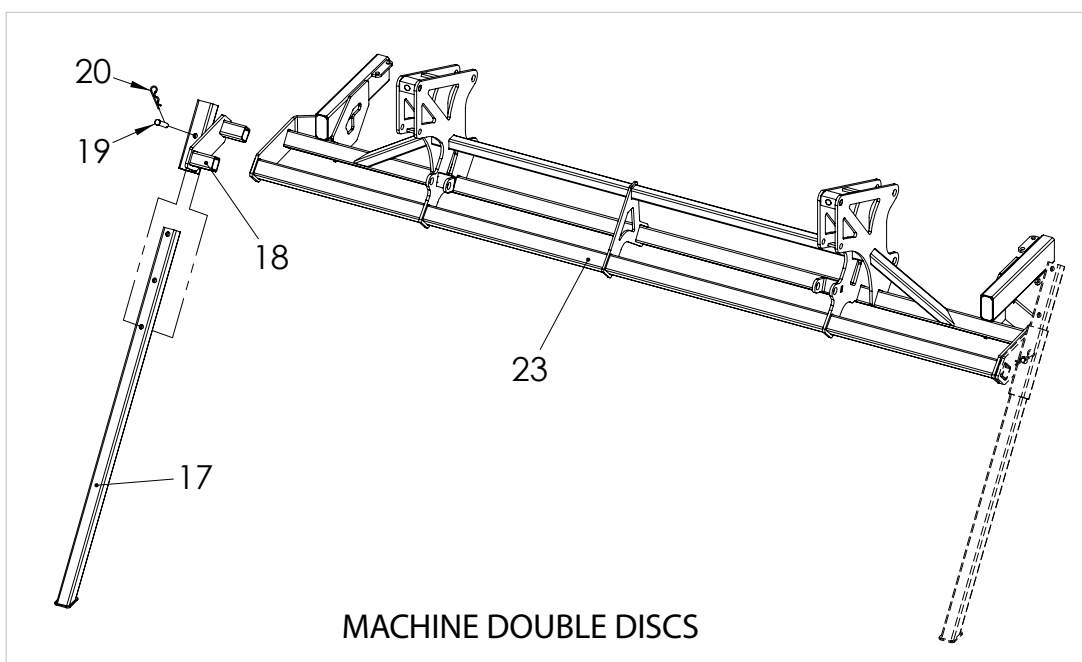
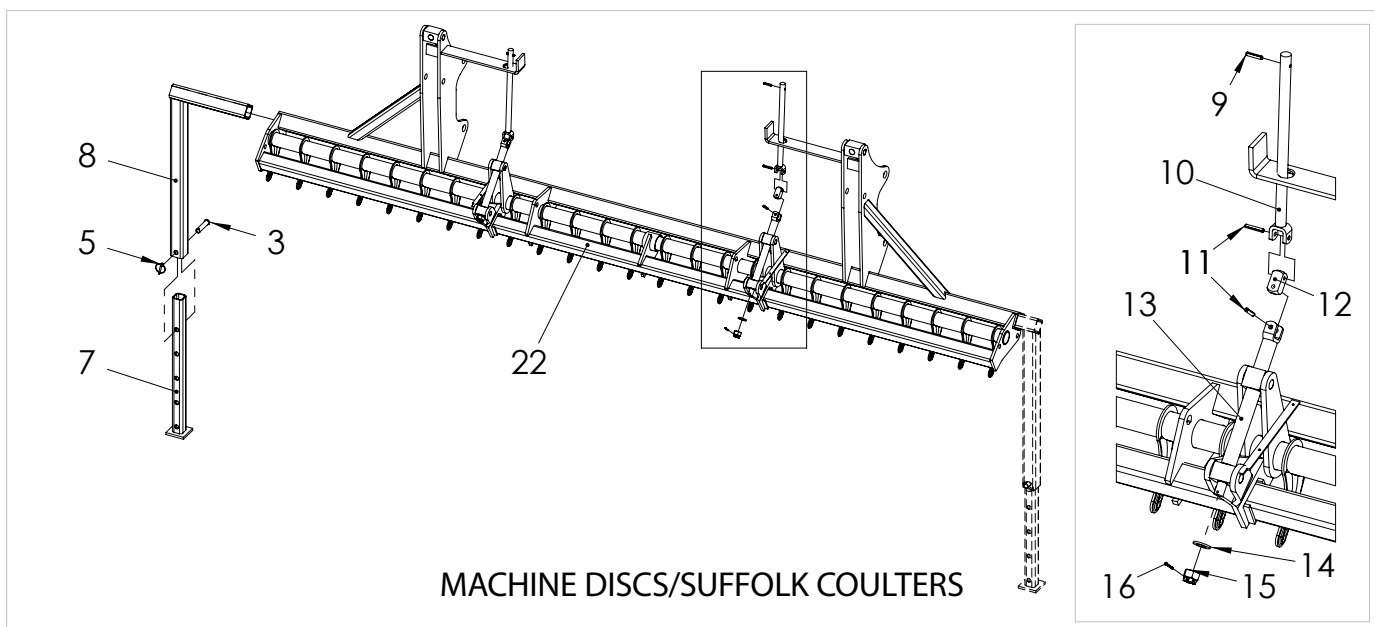
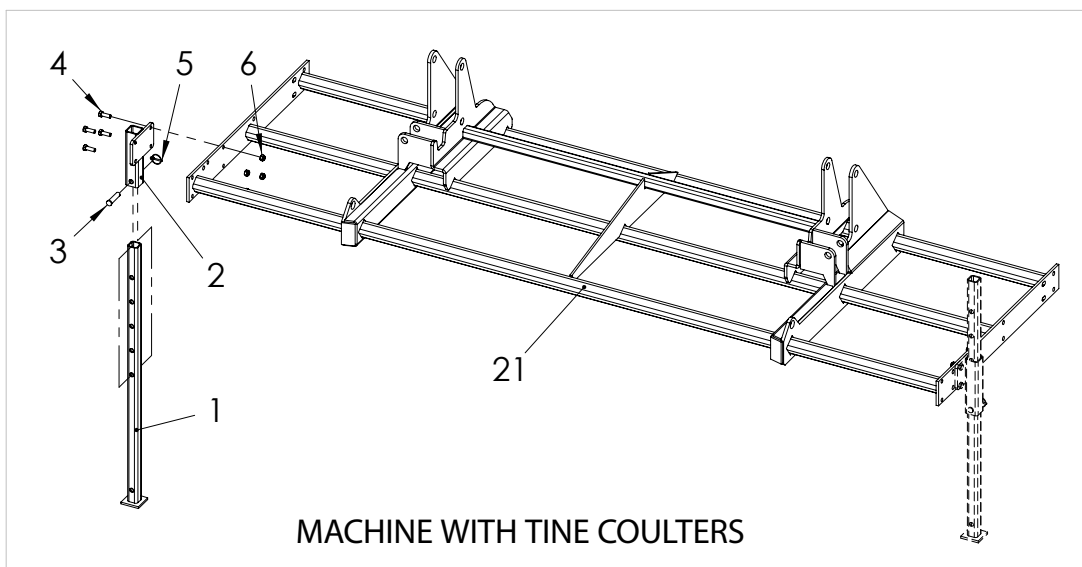


17 GENERIC OTHER BRANDS



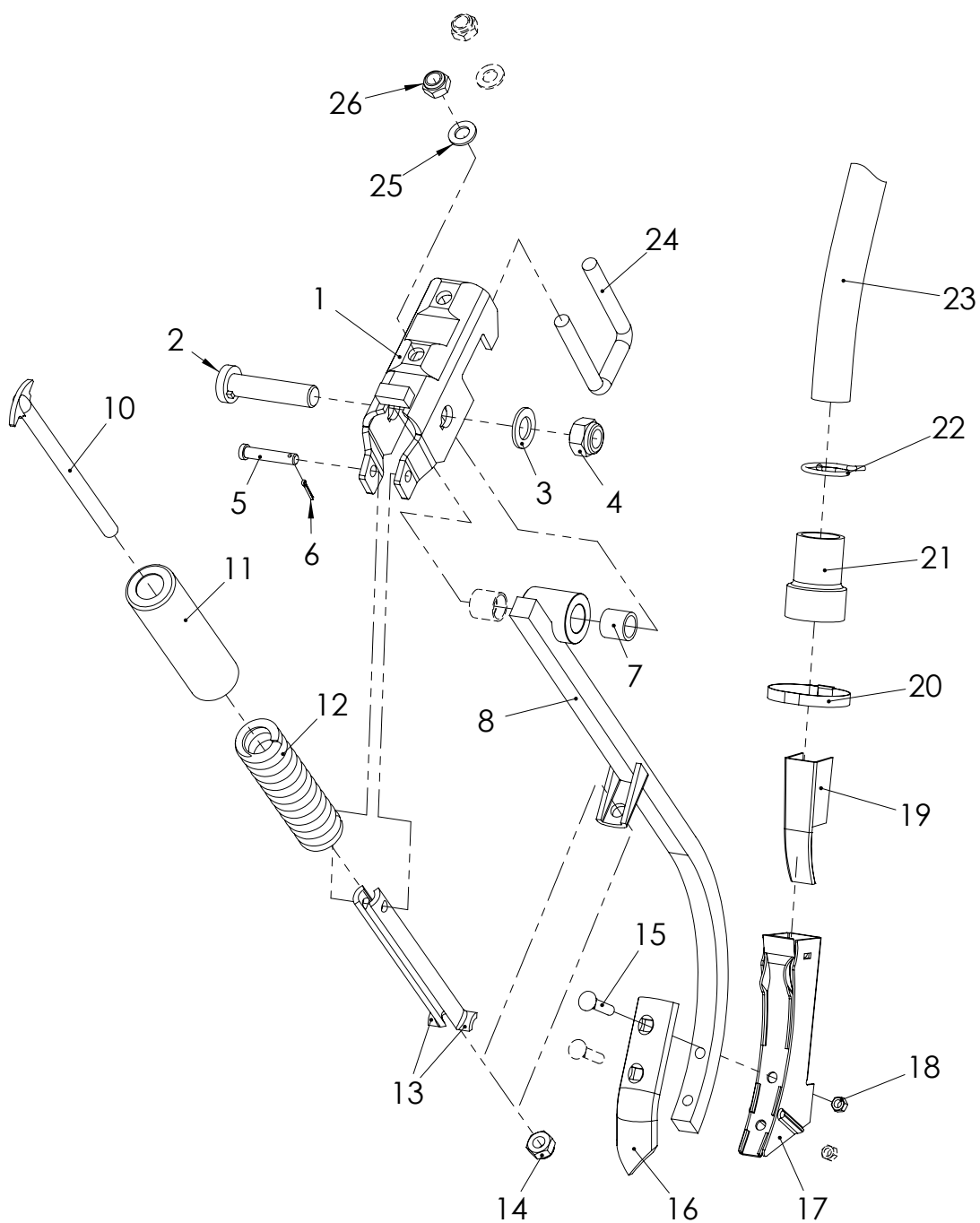
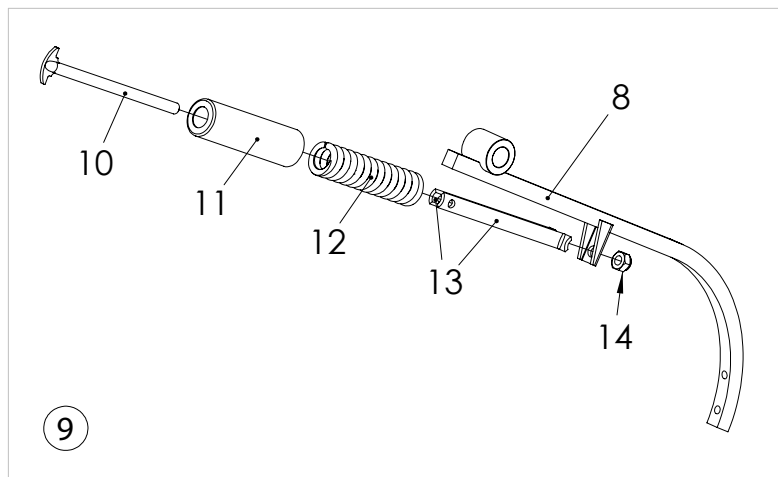
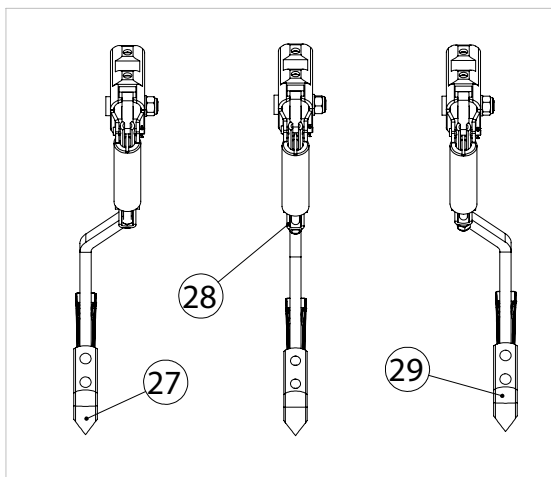
9.5 SUPPORTS FEETS, SCREWS AND FRAMES

N°	REF	DESCRIPTION
1	PS-012407	PIE TELESCOPICO TRASERO REJAS NEU-1706
2	PS-052408	SOPORTE PIE DE APOYO NEU-1706
3	B03-204	BULON DE 16X71 ESTAMPADO
4	933 12X35 8.8B	TORNILLO DIN 933 M 12X35 8.8 BI
5	FE-610012	PASADOR DE ANILLA Ø4,5
6	985 12	TUERCA DIN 985 M12
7	PS-012403	PIE TELESCOPICO TRASERO NEU-1706
8	PS-012402/D	PIE DESCANSO TRASERO DERECHA NEU 1706
8	PS-012402/I	PIE DESCANSO TRASERO IZQDA. NEU-1706
9	1481 6X30 BI	PASADOR ELASTICO DIN 1481 M 6X30 BI
10	PS-052403	ALARGO HUSILLO TENSOR NEU-1706
11	1481 6X35 BI	PASADOR ELASTICO DIN 1481 M 6X35 BI
12	TA-0207	TALAD. 2 VECES CUADRADO TRANS.HUSILLO TENSOR(D.6
13	PS-0207	HUSILLO TENSOR MUELLES
14	125 16 BI	ARANDELA DIN 125 M16 BI
15	935 16 BI	TUERCA DIN 935 M16 BI
16	94 3,5X28 BI	PASADOR DE ALETAS DIN 94 M 3,5X28 BI
17	PS-102410	PIE LATERAL EQUIPO NEU 2512
18	PS-102409/D	SOPORTE PIE EQUIPO DER NEU-2512
18	PS-102409/I	SOPORTE PIE EQUIPO IZQ NEU-2512
19	BU-072800	BULON PIE DE MAQUINA
20	FE-610003	PASADOR "R" DE 4 MM
21	PS-051365	EQUIPO CENTRAL PORTABRAZOS 3000
21	PS-052410	EQUIPO CENTRAL PORTABRAZOS A-3500 NEU-1706
21	PS-052409	EQUIPO CENTRAL PORTABRAZOS A-4000 NEU-1706
22	PS-052400	CHASIS PORTABRAZOS NEU-1706/300
22	PS-052404	CHASIS PORTABRAZOS NEU-1706/350
22	PS-052405	CHASIS PORTABRAZOS NEU-1706/400
23	PS-052420	CHASIS PORTABRAZOS 300 DOBLE DISCO NEU-2512



9.6 TINE COULTERS ARMS

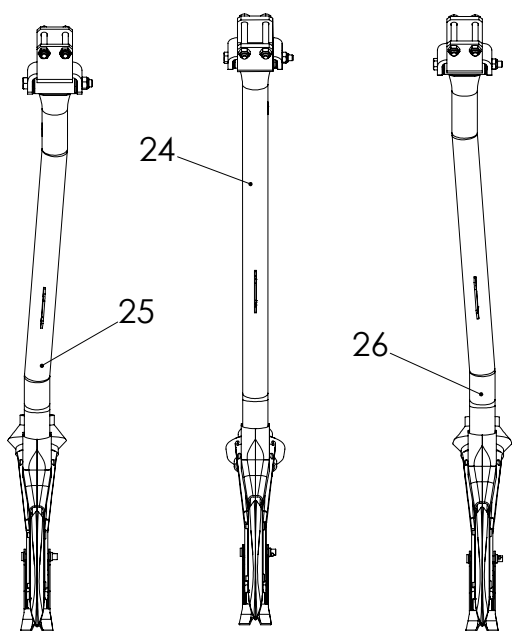
N°	REF	DESCRIPTION
1	CO-050302	SOPORTE BRAZO LISO TRI-194/R
2	TS-052801	TORNILLO SOPORTE BRAZO SIEMBRA SM TRATADO
3	125 20 BI	ARANDELA DIN 125 M20 BI
4	985 20	TUERCA DIN 985 M20
5	B03-202	BULON DE 10X56 ESTAMPADO
6	94 3,5X20 BI	PASADOR DE ALETAS DIN 94 M 3,5X20 BI
7	PL-050302	CASQUILLO ARTICULACION BRAZO
8	PS-2611	BRAZO LISO RECTO TRI 194
8	PS-2611/D	BRAZO LISO DESP/D TRI 194
8	PS-2611/I	BRAZO LISO DESP/I TRI 194
9	MO-2601	BRAZO LISO PARA PINTAR TRI 1ª OPERACION
9	MO-2601/D	BRAZO LISO DES/D. TRI 194 1ª OPERACION
9	MO-2601/I	BRAZO LISO DES/I TRI 194 1ª OPERACION
10	FO-050303	TENSOR DEL HERRAJE TRI
11	EE-050310	TUBO PROTECTOR MUELLE TRI-194
12	ML-050300	MUELLE HERRAJE MAQUINA TRI 8,5 MM.
13	EE-050301	MEDIA CAÑA LARGA TRI 194
14	985 14	TUERCA DIN 985 M14
15	608 9x45 BI	TORNILLO DE ARADO M9X45 BI
16	R08-11	REJITA RECTA
17	CO-051302	BOTA SIEMBRA SIN REGISTRO ABOCARDADA
18	934 9 BI	TUERCA DIN 934 M9 BI
19	PL-050303	REGISTRO BOTA SEMBRADORA DE PLASTICO
20	FE-606003	ABRAZADERA 40-60/9 W1 TORRO
21	PL-051300	MANGUITO ACOPLAM.TUBO BOTA NEUMASEM 799
22	ML-051301	CLIP SUJECION TUBO SEMILL NEUMASEM
23	MP-907018	MTS. MANGUERA SOLA 30 ANTIESTATICA (ROLLO 50 MTS.)
24	EE-050314	BRIDA"U" SUJECION SOPORTE TRI-194
25	125 14 BI	ARANDELA DIN-125 M14 BI
26	985 14	TUERCA DIN 985 M14
27	MO-051302/D	BRAZO LISO DESP DER 2ºOPE NEUMASEM 799
28	MO-051302	BRAZO LISO RECTO 2ºOPER NEUMASEM 799
29	MO-051302/I	BRAZO LISO DESP IZQ 2ºOPE NEUMASEM 799



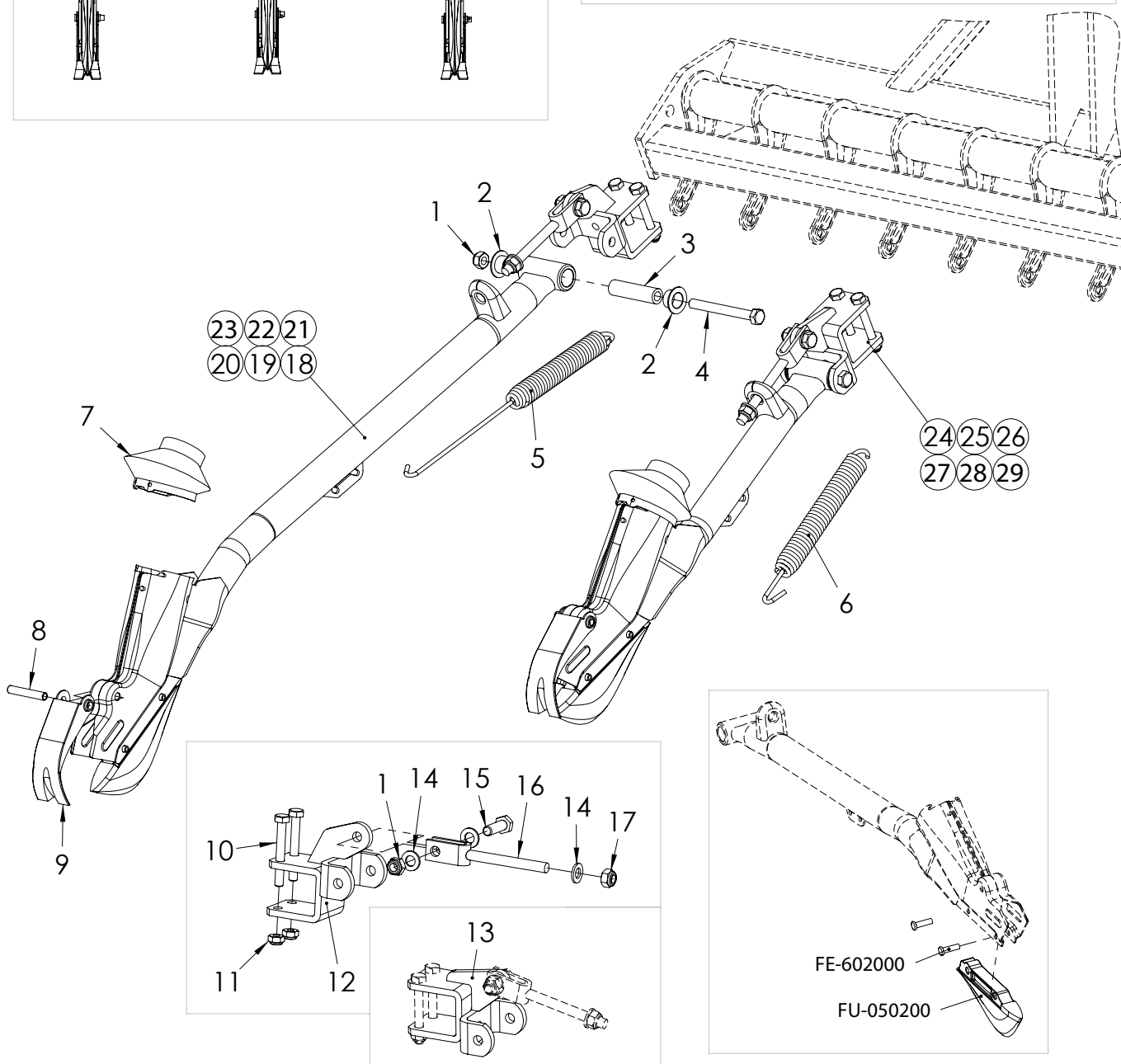
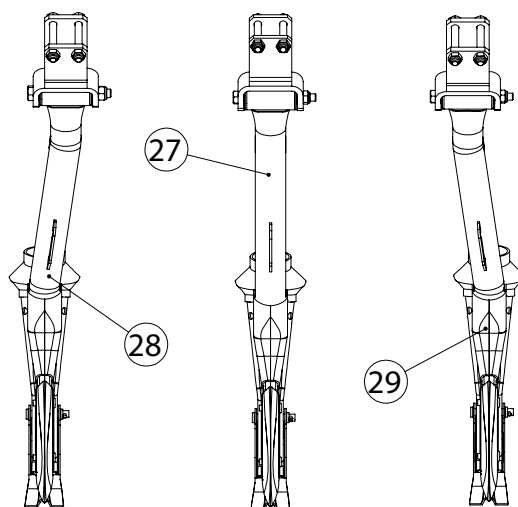
9.7 SUFFOLK COULTERS ARMS

N°	REF	DESCRIPTION
1	985 12	TUERCA DIN 985 M12
2	PL-050207	CASQUILLO ARTICULACION BRAZO EURO
3	ME-051322	TUBO INTERIOR ARTICULACION BRAZO DISCO NEUMASEM
4	931 12X110 8.8B	TORNILLO DIN 931 12X110 8.8 BI
5	ML-050200	MUELLE BRAZO LARGO EURO
6	ML-051601	MUELLE BRAZO CORTO ED-1003
7	PL-050201	FUELLE TAPA BOTA
8	BU-050202	BULON DEL ANTIRETOCESO EURO
9	EE-050206	BORRADOR ANTIRETOCESO
10	931 10X80 8.8 B	TORNILLO DIN 931 M10X80 8.8 BI
11	985 10	TUERCA DIN 985 M10
12	PS-151349	SOPORTE BRAZO DISCO TRASERO NEUMASEM
13	PS-151348	SOPORTE BRAZO DELANTERO DISCO NEUMASEM
14	125 12	ARANDELA PLANA 12
15	933 12X40 8.8 B	TORNILLO DIN 933 M 12X40 8.8 BI
16	CO-050200	TENSOR BRAZO EURO 888
17	985 12/150	TUERCA DIN 985 M12/150
18	MB-119	BRAZO EXTRALARGO RECTO
19	MB-122/D	BRAZO EXTRALARGO DESPLAZ. 30-D
20	MB-122/I	BRAZO EXTRALARGO DESPLAZ. 30-I
21	MB-68	BRAZO COMPLETO CORTO RECTO
22	MB-71/D	BRAZO CORTO DESPLAZADO 30 DER
23	MB-71/I	BRAZO CORTO DESPLAZADO 30 IZQ
24	MO-052424	BRAZO BOTAS RECTO TRASERO NEU-1706
25	MO-052425/D	BRAZO BOTAS DESPL. DER. TRASERO NEU-1706
26	MO-052425/I	BRAZO BOTAS DESPL. IZQ. TRASERO NEU-1706
27	MO-052426	BRAZO BOTAS RECTO DELANTERO NEU-1706
28	MO-052427/D	BRAZO BOTAS DESPL. DER. DELANTERO
29	MO-052427/I	BRAZO BOTAS DESPL. IZQ. DELANTERO

LONG ARMS



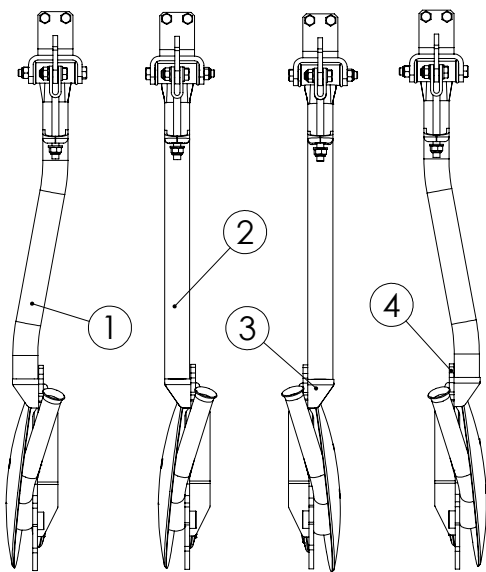
SHORT ARMS



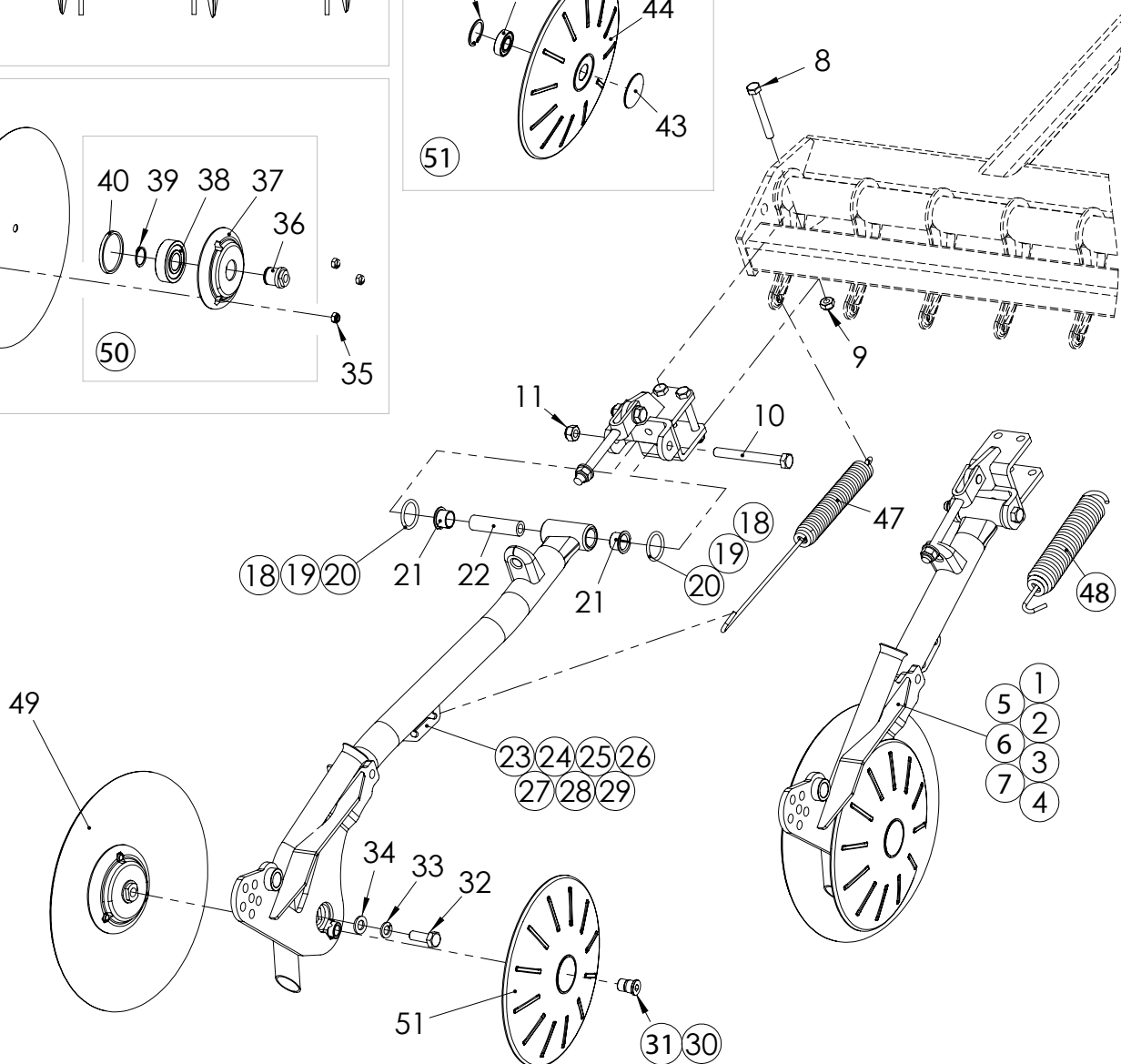
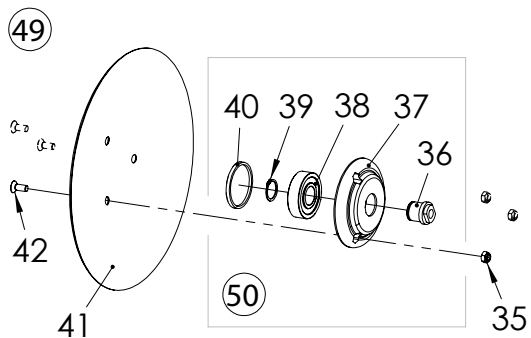
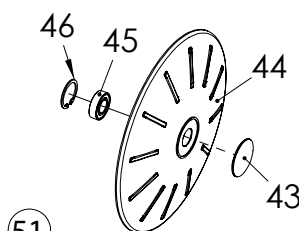
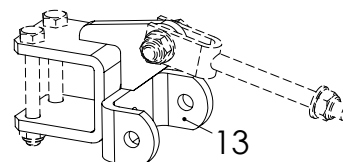
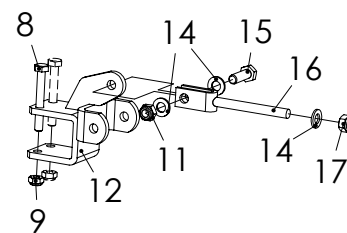
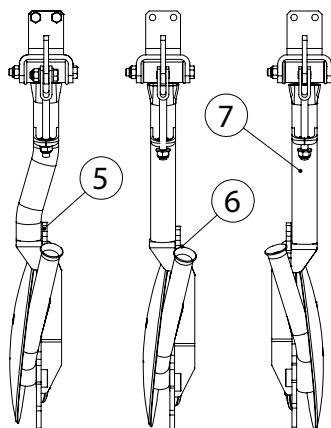
9.8 DISCS ARMS

Nº	REF	DESCRIPTION
1	MO-051671/I	BRAZO LARGO DESPL 60 IZQ
2	MO-051666/I	BRAZO LARGO RECTO DISCO TRASERO IZQ
3	MO-051666/D	BRAZO LARGO RECTO DISCO TRASERO DER
4	MO-051671/D	BRAZO LARGO DESPL 60 DER
5	MO-051672/I	BRAZO DESPLAZADO 30 DISCO IZQ.
6	MO-051665/I	BRAZO CORTO RECTO DISCO DELANTERO IZQ
7	MO-051665/D	BRAZO CORTO RECTO DISCO DELANTERO DER
8	931 10X80 8.8 B	TORNILLO DIN 931 M10X80 8.8 BI
9	985 10	TUERCA DIN 985 M10
10	931 12X110 8.8B	TORNILLO DIN 931 12X110 8.8 BI
11	985 12	TUERCA DIN 985 M12
12	PS-151349	SOPORTE BRAZO DISCO TRASERO NEUMASEM
13	PS-151348	SOPORTE BRAZO DELANTERO DISCO NEUMASEM
14	125 12	ARANDELA PLANA 12
15	933 12X40 8.8 B	TORNILLO DIN 933 M 12X40 8.8 BI
16	CO-050200	SENSOR BRAZO EURO 888
17	985 12/150	TUERCA DIN 985 M12/150
18	FE-601089	JUNTA TORICA 32X5
19	FE-601083	JUNTA TORICA Ø31X4
20	FE-601093	JUNTA TORICA Ø30X4
21	FE-600066	CASQUILLO DE FRICCION 20X23X16.5 CON VALONA
22	ME-051322	TUBO INTERIOR ARTICULACION BRAZO DISCO NEUMASEM
23	PS-051662/I	BRAZO DESPLAZADO 60 IZQ. DISCO TRAS.
24	PS-051662/D	BRAZO DESPLAZADO 60 DER. DISCO TRAS.
25	PS-051656/I	BRAZO RECTO DISCO IZQ. DELANTERO
26	PS-051656/D	BRAZO RECTO DISCO DER. DELANTERO
27	PS-051658/I	BRAZO RECTO DISCO IZQ. TRASERO
28	PS-051656/D	BRAZO RECTO DISCO DER. DELANTERO
29	PS-051663/I	BRAZO DESPLAZADO 30 IZQ
30	ME-051620	TORNILLO COLLADO DISCO RASCADOR DER.
31	ME-051621	TORNILLO COLLADO DISCO RASCADOR IZQ.
32	933 12X35 8.8 B	TORNILLO DIN 933 M 12X35 8.8 BI
33	127 12 BI	ARANDELA GROW DIN 127 M12 BI
34	125 12 BI	ARANDELA PLANA DIN 125 12 BI
35	985 8	TUERCA DIN 985 M8
36	ME-051601	EJE RODAMIENTO DISCO EURO DISCOS
37	PL-051601	BUJE DISCO ED-1003
38	FE-600078	RODAMIENTO 6305 2RS CLASE A
39	471 25	ANILLO SAEGER DIN 471 25
40	PL-051602	TAPA BUJE DISCO ED-1003
41	FO-051600	DISCO SIEMBRA ED-1003
42	7991 8X20 10 BI	OBSOLETO
43	PL-051605	TAPA DISCO RASCADOR
44	PL-051603	DISCO RASCADOR
45	FE-600092	RODAMIENTO 6003 2RSR CLASE C
46	472 35	ANILLO SAEGER DIN 472 35
47	ML-051602	MUELLE BRAZO LARGO ED-1003
48	ML-051623	MUELLE BRAZO CORTO 2013
49	MO-051620	DISCO SIEMBRA ED-1003
50	MO-051600	BUJE DISCO SIEMBRA EURO DISCOS
51	MO-051653	MONTAJE DISCO RASCADOR

LONG ARMS



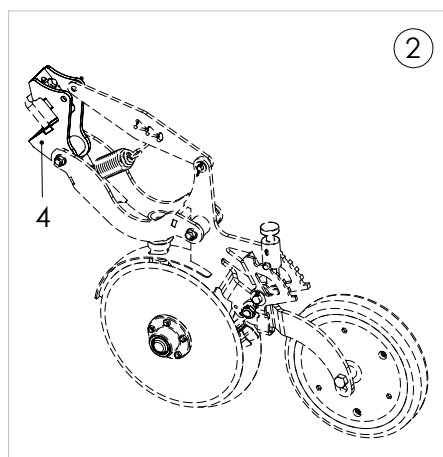
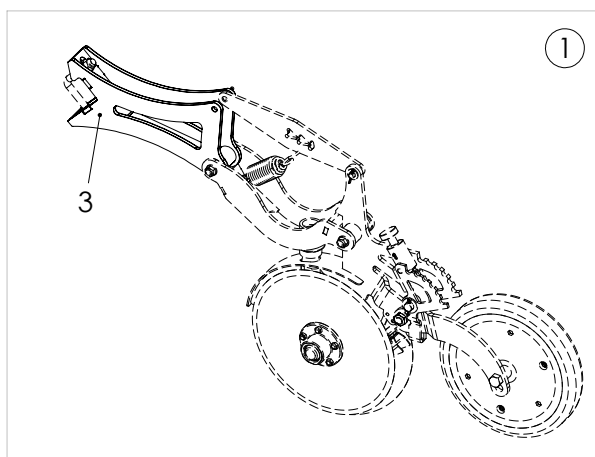
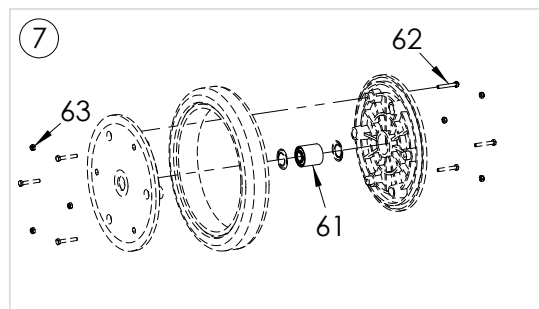
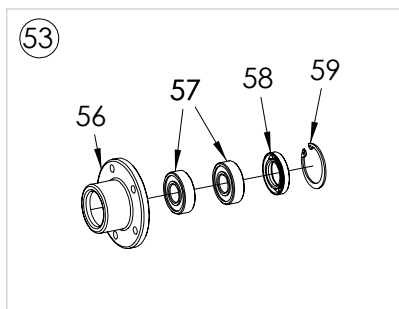
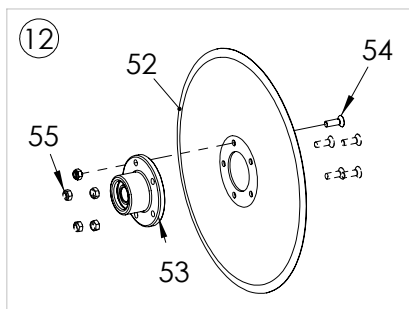
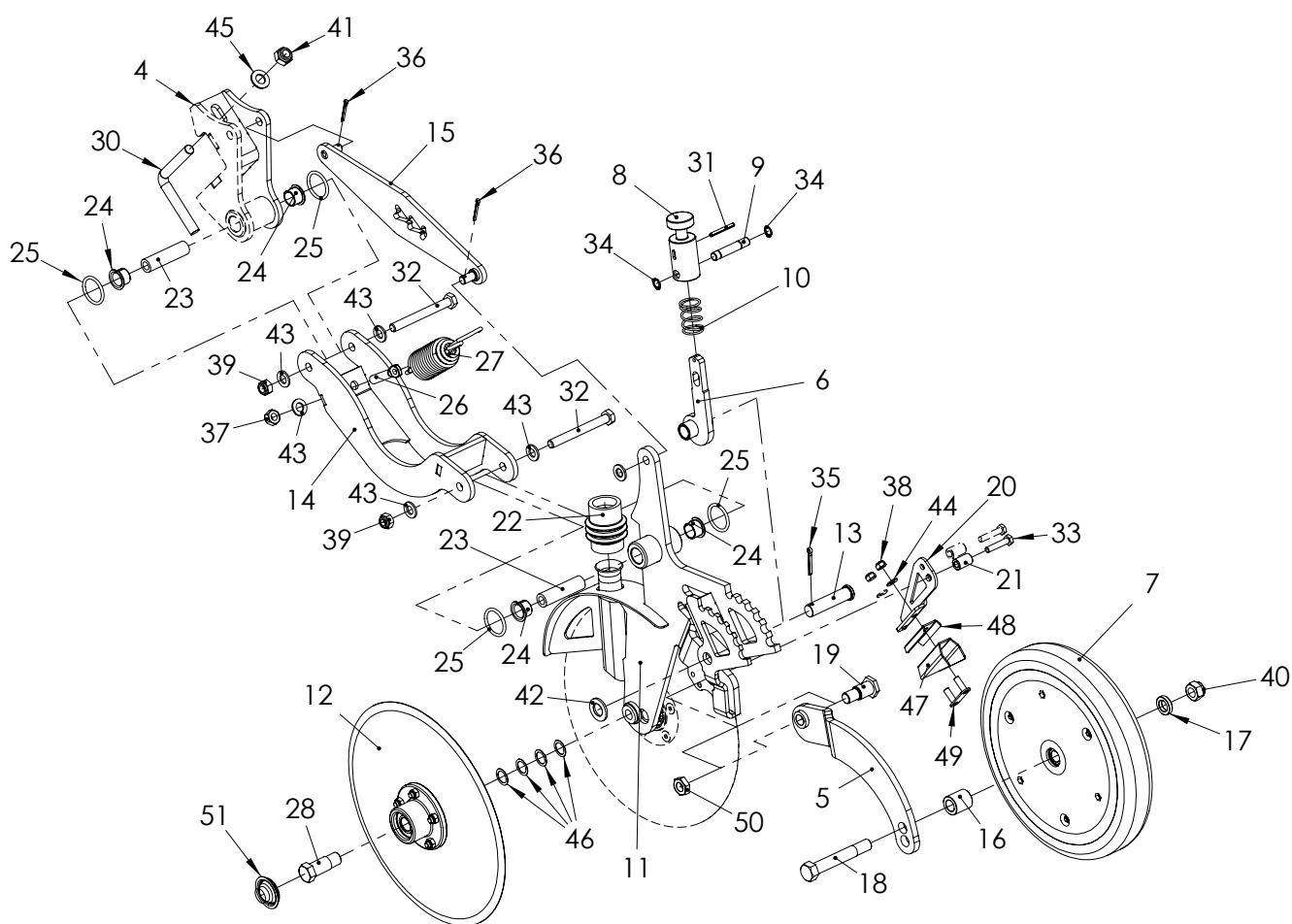
SHORT ARMS



9.9 DOUBLE DISCS ARMS

N°	REF	DESCRIPTION
1	MO-051669	BRAZO LARGO SIEMBRA DOBLE DISCO LEVA
2	MO-051670	BRAZO CORTO SIEMBRA DOBLE DISCO LEVA
3	PS-051649	SOPORTE BRAZO LARGO SIEMBRA
4	PS-051652	SOPORTE CORTO BRAZO SIEMBRA
5	PS-051669	BRAZO RUEDA CONTROL PROFUNDIDAD
6	PS-051660	LEVA CONTROL DE PROFUNDIDAD
7	CO-051619	RUEDA FLEX 318X50 LLANTA PLASTICO ROD K098
8	ME-051626	TIRADOR REGULACION PROFUNDIDAD
9	ME-051625	BULON REGULACION CONTROL PROFUNDIDAD
10	ML-051622	MUELLE CONTROL PROFUNDIDAD LEVA
11	PS-051661	CHAPA CENTRAL BRAZO DISCO SIEMBRA
12	CO-051706	CONJUNTO DISCO PLANO Ø345 + BUJE
13	ME-051624	BULON LEVA CONTROL PROFUNDIDAD
14	PS-051651	BIELA INFERIOR TRAPECIO BRAZO
15	PS-051650	BIELA SUPERIOR TRAPECIO BRAZO
16	ME-054609	CASQUILLO CENTR. INT. RUEDA CONTROL PROF.
17	ME-051756	CASQUILLO CENTRADOR EXT. RUEDAS COMPAC.
18	ME-054610	TORNILLO EJE RUEDA CONTROL PROF.
19	ME-051630	BULON HEXAG. BRAZO RUEDA P/CONTRA TUERCA
20	PX-051680	SOPORTE LIMPIA DISCOS
21	ME-051617	CASQUILLO SEPARADOR RASCADOR
22	PL-051302	FUELLE INFERIOR DISCOS NEUMATICA
23	ME-051322	TUBO INT. ARTIC. BRAZO DISCO
24	FE-600066	CASQUILLO FRICCION 20X23X16.5
25	FE-601081	JUNTA TORICA Ø35X4
26	T05-01	TENSOR MUELLE BRAZO TRAZADOR
27	ML-051604	MUELLE BRAZO SIEMBRA DISCO
28	ME-051729	TORNILLO EJE DISCO IZQ. SIEMBRA
29	ME-051728	TORNILLO EJE DISCO DER. SIEMBRA
30	EE-051353	ABARCON EN L Ø14 TUBO 60
31	1481 5X45 BI	PASADOR ELASTICO DIN 1481 Ø5x45 BI
32	931 12X110 8.8B	TORNILLO DIN 931 M12x110 8.8 BI
33	931 8X40 8.8B	TORNILLO DIN 931 M8x40 8.8 BI
34	471 12	ANILLO SAEGER DIN 471 Ø12
35	94 5X32 BI	PASADOR DE ALETAS DIN 94 5X32 BI
36	94 4X30 BI	PASADOR DE ALETAS DIN 94 4X30 BI
37	985 12-150	TUERCA DIN 985 M12/150
38	985 8	TUERCA DIN 985 M8
39	985 12	TUERCA DIN 985 M12
40	985 16-150	TUERCA DIN 985 M16/150
41	985 14	TUERCA DIN 985 M14
42	125 18 BI	ARANDELA DIN 125 M18 BI
43	125 12 BI	ARANDELA DIN 125 M12 BI

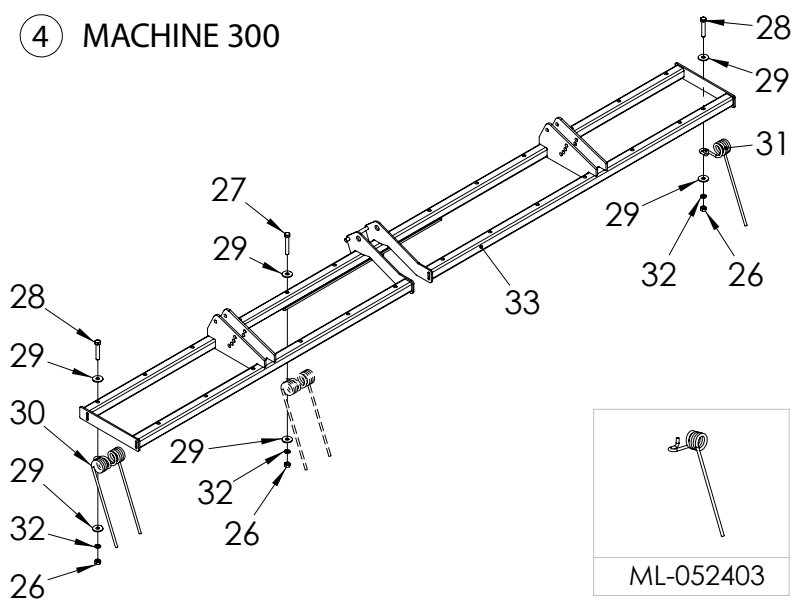
N°	REF	DESCRIPTION
44	125 8 BI	ARANDELA DIN 125 M8 BI
45	125 14 BI	ARANDELA DIN 125 M14 BI
46	988 18X25X0.5	ARANDELA DIN 988 18X25X0.5
47	PL-051607	RASCADOR POLIURETANO DISCOS
48	PX-351747	POSICIONAD. ANGULO RASCADORES POLIURET.
49	PX-251750	"SOP. RASCADOR DISCO ABONADOR C/PERNOS INSERTABLES"
50	936 16 BI	TUERCA DIN 936 M16 BI
51	EE-051703	TAPACUBO BUJE DISCO SIEMBRA
52	EE-051722	DISCO SIEMBRA Ø13,5" 5AGUJ. 2,5CONC.
53	CO-051705	BUJE COMPLETO DISCO SIEMBRA
54	7991 8X25 10 BI	TORNILLO DIN 7991 M8x25 BI
55	985 8	TUERCA DIN 985 M8
56	ME-051773	BUJE DISCO SIEMBRA
57	FE-600028	RODAMIENTO 6204 2RS
58	FE-601037	RETEN DOBLE LABIO Ø 28x47x7
59	ME-051774	CASQUILLO DISCO SIEMBRA
60	472-47	ANILLO DIN 471-12
61	FE-600099	RODAMIENTO ØEXT40x39 / ØINT16,8X44
62	931 6X40 8.8B	TORNILLO DIN 931 M6x40 8.8 BI
63	985 6	TUERCA DIN 985 M6



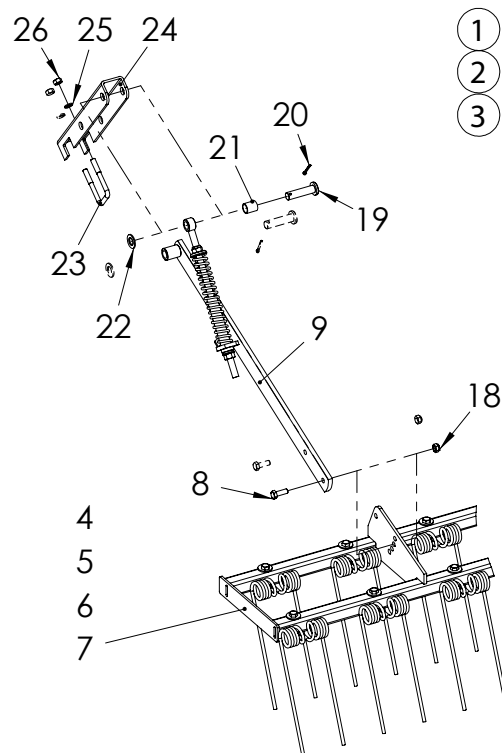
9.10 HARROW FOR TINE COULTERS

Nº	REF	DESCRIPTION
1	MO-082431	RASTRA PARTIDA PUAS RECTAS 300 NEU-2512
2	MO-082450	RASTRA PUAS RECTAS 350 NEU 2512
3	MO-082443	RASTRA PARTIDA PUAS REJAS 400 PARTIDA
4	MO-082433	RASTRA 300 PUAS RECTAS TRANSM. CENTRAL NEU-2512
5	MO-082449	RASTRA 350 PUAS RECTAS TRANSM. CENTRAL NEU 2512
6	MO-082442	BARRA RASTRA PUA RECTA 400 IZQ.
7	MO-082440	BARRA RASTRA PUA RECTA 400 DER.
8	933 12X35 8.8 B	TORNILLO DIN 933 M 12X35 8.8 BI
9	MO-081305/D	BRAZO RASTRA DRCHA. 699 NEUMASEM 699
9	MO-081305/I	BRAZO RASTRA IZQDA. 699 NEUMASEM 699
10	PS-1710	TENSOR MUELLE RASTRA EPI
11	985 16	TUERCA DIN 985 M16
12	T08-23	TAPETA MUELLE 40X20,5 SIEMBRA DIRECTA
13	ML-080104	MUELLE BRAZO RASTRA
14	PS-081311/D	BRAZO RASTRA DERECHA RASTRA NEUMASEM 699
14	PS-081311/I	BRAZO RASTRA IZQUIERDA RASTRA NEUMASEM 699
15	PS-1735	TUBO INTERIOR MUELLE RAST EPI 6
16	125 16 BI	ARANDELA DIN 125 M16 BI
17	934 16 BI	TUERCA DIN 934 M16 BI
18	985 12	TUERCA DIN 985 M12
19	B03-177	BULON LARGO 20X78 DEL RASTRILLO
20	94 5X40 BI	PASADOR DE ALETAS DIN 94 M 5X40 BI
21	CT-081305	SEPARADOR TENSOR RASTRA RASTRA NEUMASEM
22	125 20 BI	ARANDELA DIN 125 M20 BI
23	EE-053702	BRIDA CUADRADO 50 LAMUSA NEUMATICA
24	PS-081310	U GUIA BRAZO RASTRA NEUMASEM 699
25	7980 14 BI	ARANDELA GROWER DIN 7980 M 14 BI
26	934 12 BI	TUERCA DIN 934 M12 BI
27	931 12X80 8.8 B	TORNILLO DIN 931 M12X80 8.8 BICROMATADO
28	931 12X70 8.8 B	TORNILLO DIN 931 12X70 8.8 BI
29	9021 12 BI	ARANDELA DIN 9021 M12 BICROMATADA
30	M01-83	MUELLE DOBLE PUA TRASERA -888
31	ML-052402	MUELLE PUA SIMPLE TRASERA NEU-2512
32	127 12 BI	ARANDELA GROW DIN 127 M12 BI
33	PS-082423	RASTRA PUA RECTA 300 TRANSM. CENTRAL NEU-2512
34	PS-082424	RASTRA PUA RECTA 350 NEU-2512
35	PS-082426	RASTRA PUA RECTA 400 IZQ NEU-2512
36	PS-082427	RASTRA PUA RECTA 400 DER. NEU-2512

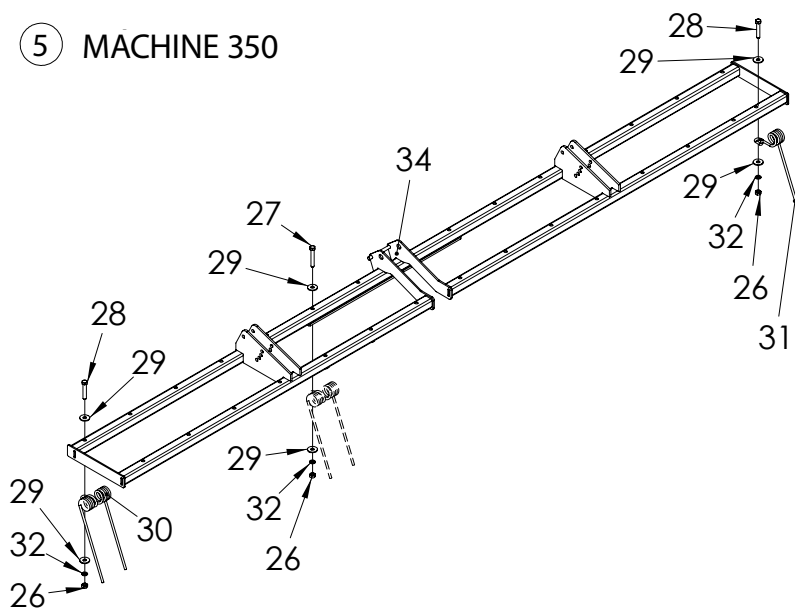
④ MACHINE 300



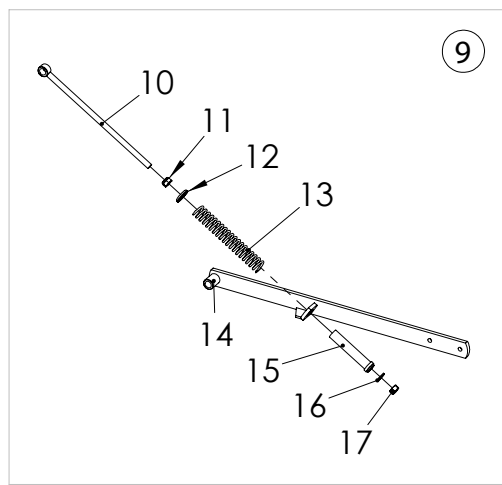
①
②
③



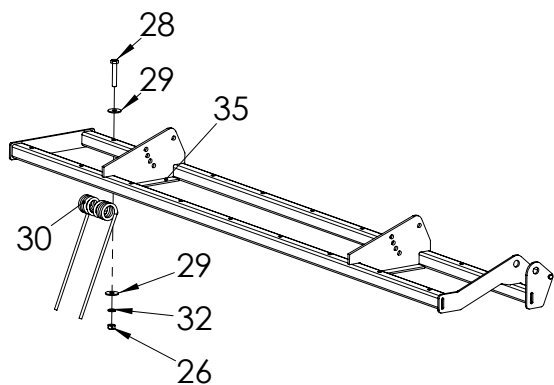
⑤ MACHINE 350



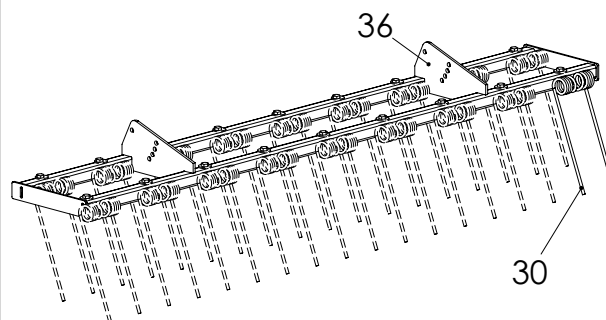
⑨



⑥ MACHINE 400 LEFT

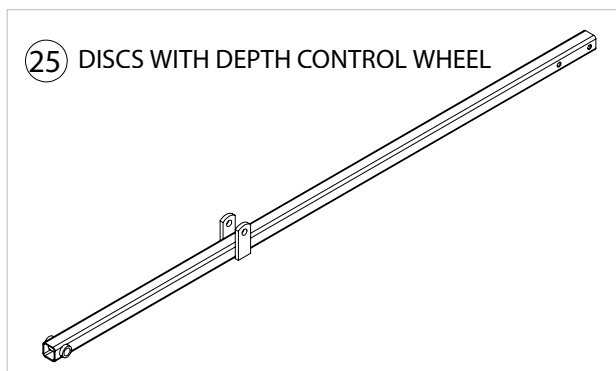
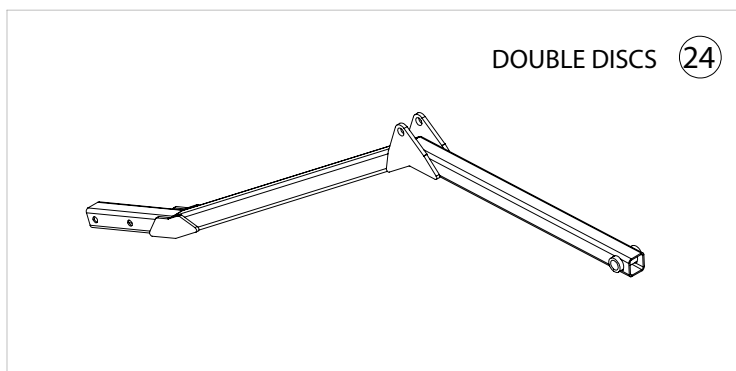
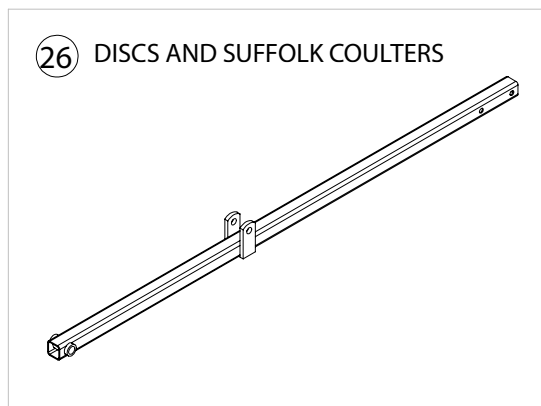
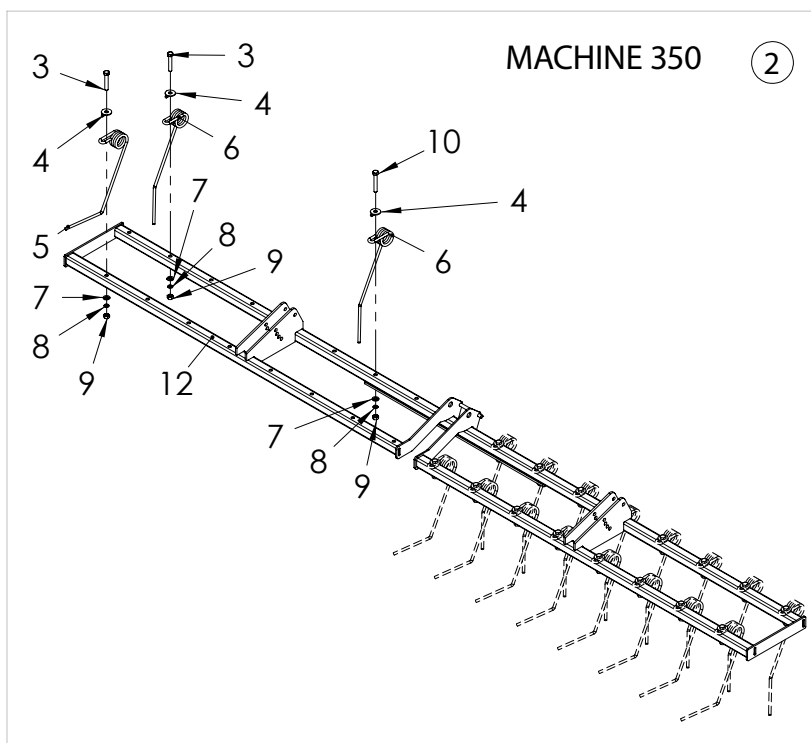
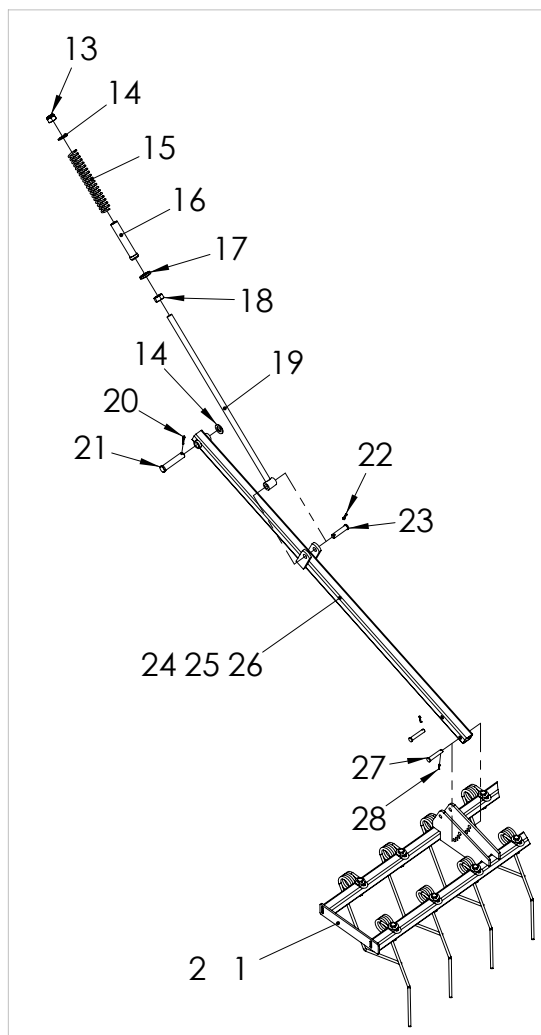
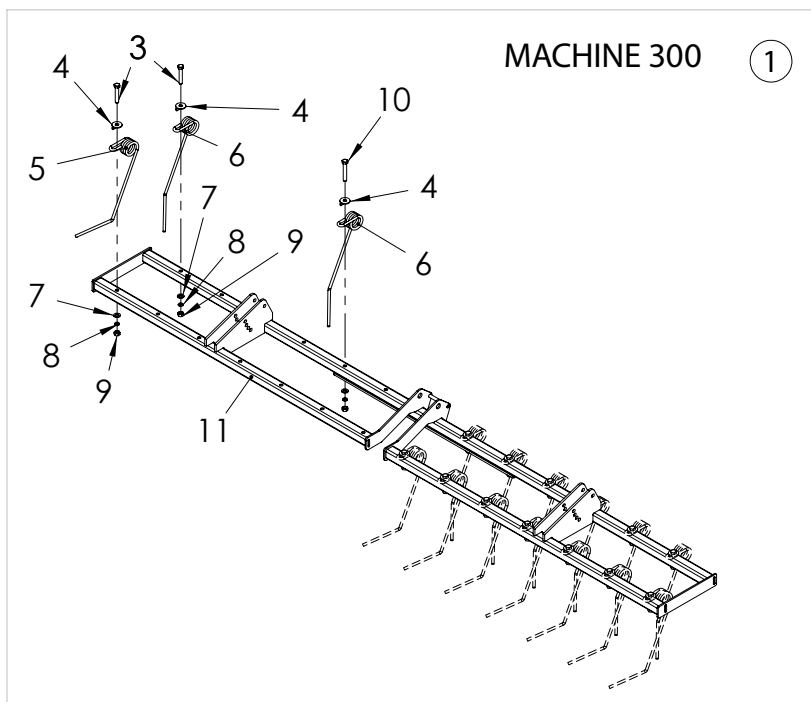


⑦ MACHINE 400 RIGHT



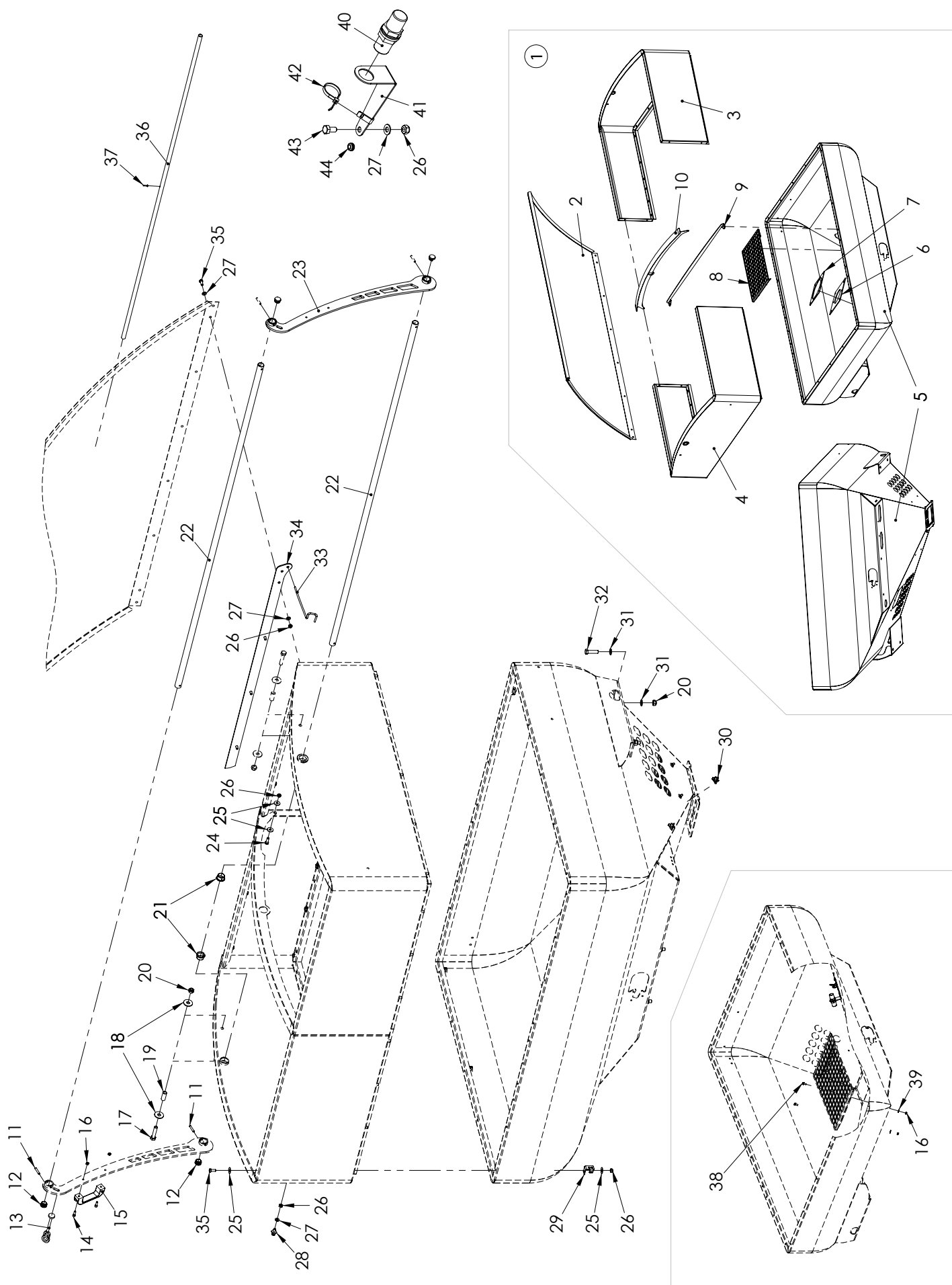
9.11 HARROW FOR DOUBLE DISC, DOUBLE DISC AND SUFFOLK COULTERS

Nº	REF	DESCRIPTION
1	M0-082432	BARRA RASTRA 300 DISCOS NEU-2512
2	M0-082437	BARRA RASTRA 350 DISCOS NEU-2512
3	931 12X70 8.8 B	TORNILLO DIN 931 12X70 8.8 BI
4	PS-081314	ARANDELA SUJECION PUA RASTRA SD
5	ML-080400/I	PUA RASTRA IZQUIERDA S.D.
6	ML-080400/D	PUA RASTRA DERECHA S.D.
7	125 12 BI	ARANDELA PLANA DIN 125 12 BI
8	7980 12 BI	ARANDELA GROWER DIN 7980 M12 BI
9	934 12 BI	TUERCA DIN 934 M12 BI
10	931 12X80 8.8 B	TORNILLO DIN 931 M12X80 8.8 BICROMATADO
11	PS-082420	BARRA RASTRA DISCOS 300 NEU-2512
12	PS-082421	BARRA RASTRA DISCOS 350 NEU-2512
13	985 20	TUERCA DIN 985 M20
14	125 20 BI	ARANDELA DIN 125 M20 BI
15	ML-080104	MUELLE BRAZO RASTRA
16	PS-1735	TUBO INTERIOR MUELLE RAST EPI 6
17	EE-080306	TAPETA MUELLE Ø40x20,5
18	934 20 BI	TUERCA DIN 934 M20 BI
19	PS-082402	TENSOR MUELLE BRAZO RASTRA NEU-1706
20	94 5X32 BI	PASADOR DE ALETAS DIN 94 M 5X32 BI
21	BU-051303	BULON 20 X 100 BI NEUMASEM
22	94 5X25 BI	PASADOR DE ALETAS DIN 94 M 5X25 BI
23	B03-204	BULON DE 16X71 ESTAMPADO
24	PS-082425	BRAZO RASTRA DOBLE DISCO NEU-2512
25	PS-082428	BRAZO RASTRA DISCOS RUEDAS CONTROL PROFUNDIDAD
26	PS-082401	BRAZO RASTRA NEU-1706
27	BU-060300	BULON DE 12X69 ESTAMPADO
28	94 3,5X20 BI	PASADOR DE ALETAS DIN 94 M 3,5X20 BI



9.12 HOPPER

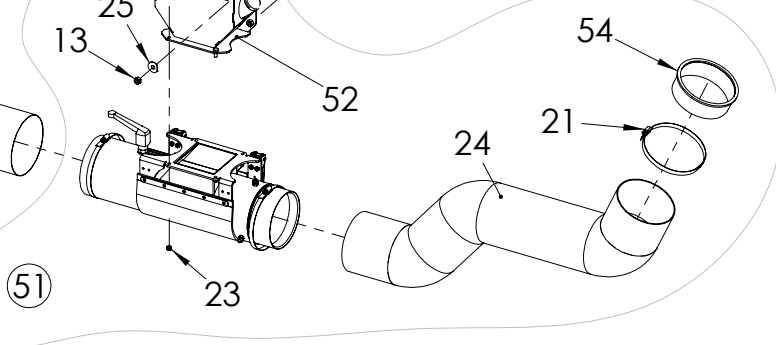
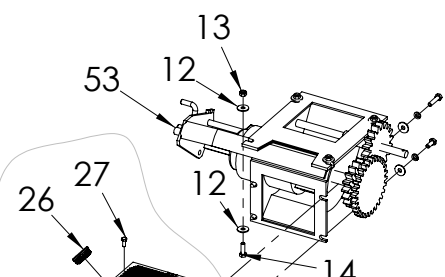
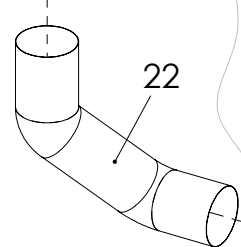
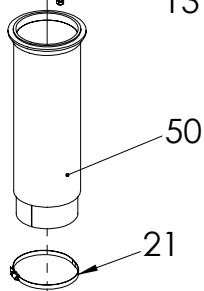
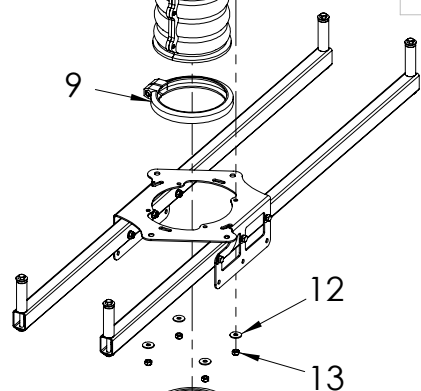
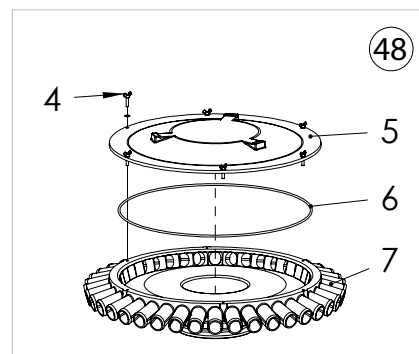
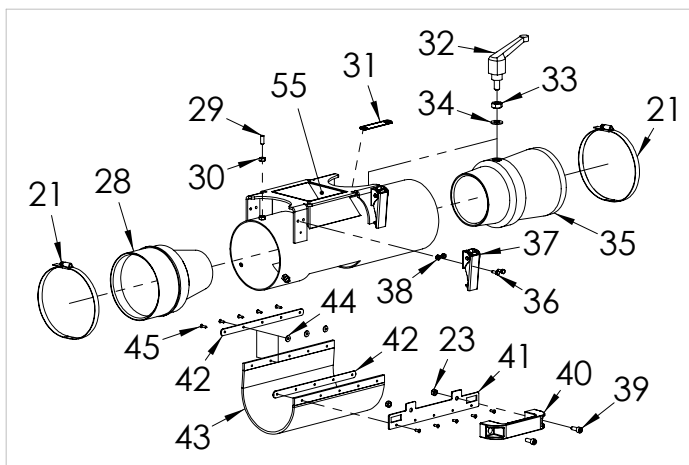
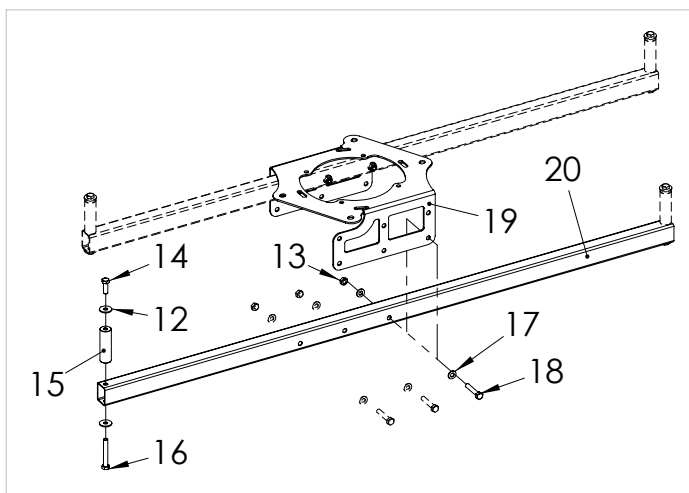
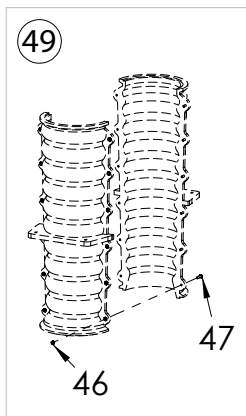
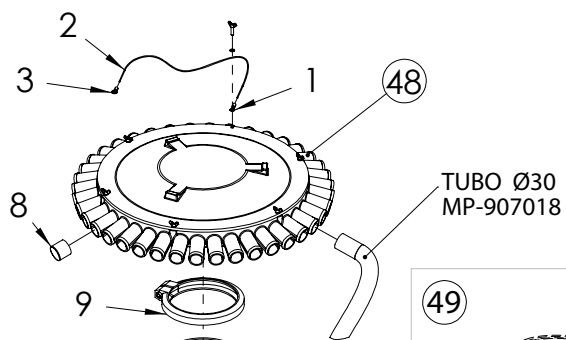
Nº	REF	DESCRIPTION
1	CO-022401	CONJUNTO TOLVA NEU-2512
2	MV-032800	LONA TOLVA SM-1909
3	PS-022404/I	MEDIA ALZA IZQUERDA TOLVA NEU-2511
4	PS-022404/D	MEDIA ALZA DERECHA TOLVA NEU-2511
5	PS-022403	TOLVA NEU-1706 - SM
6	PL-022800	GOMA UNION TUBO TOLVA Ø135
7	PX-022830	CIERRE UNION TOLVA SM-1909
8	PX-022832	CHAPA CRIBA SM-1909
9	PX-022812	TIRANTE SIMPLE TOLVA
10	PS-022405	ARCO CENTRAL TOLVA
11	1481 6X35 BI	PASADOR ELASTICO DIN 1481 M 6X35 BI
12	FE-611018	TAPON PLASTICO NEGRO Ø25 e=3
13	PL-031300	GOMA CIERRE TAPA TOLVA
14	912 6X20 8.8 B	TORNILLO DIN 912 M6X20 8.8 BICROMATADO
15	FE-614044	MANILLA MFE/117 Ø6,5
16	985 6	TUERCA DIN 985 M6
17	931 12X60 8.8 B	TORNILLO DIN 931 12X60 8.8 BICROMATADO
18	9021 12 BI	ARANDELA DIN 9021 M12 BICROMATADA
19	CT-032801	SEPARADOR TOPE BRAZO LONA
20	985 12	TUERCA DIN 985 M12
21	FE-600018	CASQUILLO DE FRICCION 25/28/16,5
22	TA-032800	TUBO TAPA TOLVA
23	PS-032801	PALANCA APERTURA LONA
24	933 8X25 8.8 B	TORNILLO DIN 933 8X25 8.8 BI
25	9021 8 BI	ARANDELA PLANA DIN 9021 M8 BI
26	985 8	TUERCA DIN 985 M8
27	125 8 BI	ARANDELA PLANA DIN-125 M8 BICROMATADA
28	ME-021702	TETON SUJECION TAPA TOLVA NEUMASEM
29	PX-022427	SOPORTE CABLEADO LUCES TOLVA
30	FE-606007	ABRAZADERA AUTOADHESIVA 7,9-10,3 - SR-1789/460307
31	125 12 BI	ARANDELA PLANA DIN 125 12 BI
32	931 12X45 8.8 B	TORNILLO DIN 931 M12X45 8.8 BI
33	VA-032802	GOMA AJUSTE LATERALES LONA
34	PX-022835	PLETINA LARGA FIJACION LONA
35	933 8X20 8.8 B	TORNILLO DIN 933 M8X20 8.8 BI
36	TA-022807	VARILLA CENTRAL LONA
37	FE-602013	REMACHE ALUMINIO Ø3,2X20
38	6921 6X16 8.8 B	TORNILLO DIN 6921 M6X16 8.8 BICROMATADO
39	9021 6 BI	ARANDELA PLANA DIN 9021 M6 BI
40	FE-650026	SENSOR CAPACITIVO NIVEL TOLVA RDS
41	PX-101358	SOPORTE SENSOR NIVEL TOLVA NEUMASEM
42	FE-606013	BRIDA NYLON 4,8X200
43	933 8X16 8.8 B	TORNILLO DIN 933 M 8X16 8.8 BICROMATADO
44	CN-803290	ARO PASACABLE Ø 6,4 CHAPA 9,5



9.13 NEUMATIC DISTRIBUTION

N°	REF	DESCRIPTION
1	FE-650018	TERMINAL ANILLA 2,5/6 CON AISLAMIENTO
2	CN-816008	MTS. CABLE MASA 2,5 MM2 AMARILLO-VERDE
3	FE-650019	TERMINAL ANILLA 2,5/8 CON AISLAMIENTO
4	316 5X20 BI	TORNILLO MARIPOSA DIN-316 M-5X20 BICROMATADO
5	ME-041355	TAPA CABEZAL DISTRIBUIDOR Ø135-40 SAL.
6	FE-601049	MTS. JUNTA TORICA Ø 390 X 4
7	ME-041354	BASE CABEZAL DISTRIBUIDOR Ø135-40 SAL.
8	CN-817040	TAPON CAPERUZA PARA TUBO Ø 32
9	PL-041302	BRIDA PARA TUBO Ø135
10	VA-022800	ESPUMA AJUSTE CABEZAL DISTRIBUIDOR
11	933 8X30 8.8 B	TORNILLO DIN 933 M8X30 8.8 BI
12	9021 8 BI	ARANDELA PLANA DIN 9021 M8 BI
13	985 8	TUERCA DIN 985 M8
14	933 8X25 8.8 B	TORNILLO DIN 933 8X25 8.8 BI
15	ME-022806	TOPE SOPORTE DISTRIBUCION TOLVA 1600L SM-1909
16	931 8X60 8.8 B	TORNILLO DIN 931 M8X60 8.8 BI
17	125 8 BI	ARANDELA PLANA DIN-125 M8 BICROMATADA
18	931 8X45 8.8 B	TORNILLO DIN 931 M8X45 8.8 BICROMATADO
19	PX-022840	SOPORTE DISTRIBUCION NEUMATICA 2013 SM-1909
20	CT-022816	TRAVESERO SOPORTE DISTRIBUCION 2013 SM-1909
21	FE-606019	BRIDA SINFIN 130/150-9
22	VA-042408	TUBO DISTRIBUCION SALIDA VENTURI Ø130
23	985 6 I	TUERCA DIN 985 M6 INOX
24	VA-042411	TUBO DISTRIBUCION ENTRADA VENTURI Ø130
25	PX-042847	ARANDELA FIJACION CEPILLO DISTRIBUIDOR
26	FE-614070	TAPON Ø41,3 E=1-3
27	933 6X15 I	TORNILLO DIN 933 M6X15 INOXIDABLE
28	PL-042802	CONO CONVERGENTE VENTURI SM-1909 2014
29	916 6X16 I	ESPARRAGO ALLEN DIN 916 M6X16 INOX
30	934 6 I	TUERCA DIN 934 M6 INOX
31	AD-072828	ADHESIVO POSICIONES CONO VENTURI 2014
32	FE-614016	TORNILLO C/ MANGO PROSEM P
33	934 10 I	TUERCA DIN 934 M10 INOX
34	125 10 I	ARANDELA DIN 125 10 INOX
35	PL-042800	CONO DIVERGENTE VENTURI SM-1909 2014
36	933 4X12 8.8 B	TORNILLO DIN 933 M 4X12 8.8 BICROMATADO
37	FE-660040	CIERRE TRACCION AJUSTABLE INOX 91-512-52
38	985 5	TUERCA DIN 985 M5 BICROMATADO
39	912 6X16 I	TORNILLO ALLEN DIN 912 6X16 INOX
40	FE-614044	MANILLA MFE/117 Ø6,5
41	PX-044238	CHAPA CIERRE VENTURI 2013
42	PX-044239	CONTRA CHAPA CIERRE VENTURI 2013 KIBLI

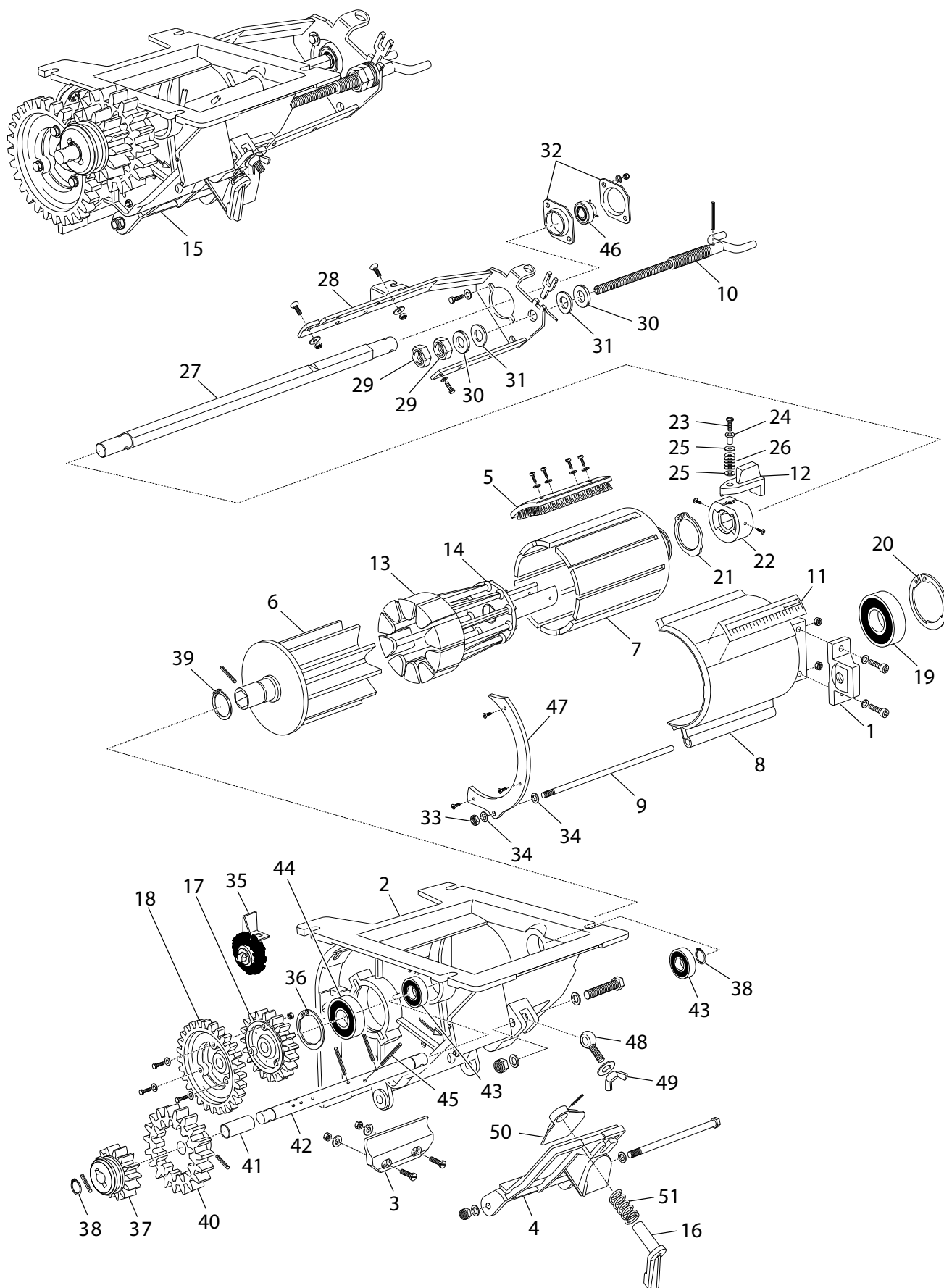
N°	REF	DESCRIPTION
43	VA-043805	CHAPA GOMA TAPA VENTURI A-6000
44	9021 3,5 I	ARANDELA PLANA DIN 9021 M 3,5 INOX
45	FE-602015	REMACHE ACER INOX 3,2X14
46	934 4 BI	TUERCA DIN 934 M4 BI
47	7985 4X15 BI	TORNILLO DIN 7985 4X15 BI
48	MO-041345	CABEZAL DISTRIBUIDOR 40 SALIDAS Ø135
49	PL-041303	TUBO DIFUSOR SEMILLA Ø 135
50	PS-041383	TUBO TRANSMISION SEMILLA NS-PLUS 1600 L
51	RE-042400	CONJUNTO VENTURI+TUBO+ADAP. NEU2512 NEU1706
52	CO-042801	CAJA COLECTOR VENTURI SM-1909 2013
53	CO-041305	DOSIFICADOR SEMILLA COMPLETO NEUMASEM MISTRAL
54	PS-042820	ADAPTADOR TURBINA D260 A TUBO 130
55	CO-043805	TUBO VENTURI INOX A-6000 MOD. 2013



9.14 DISTRIBUTOR

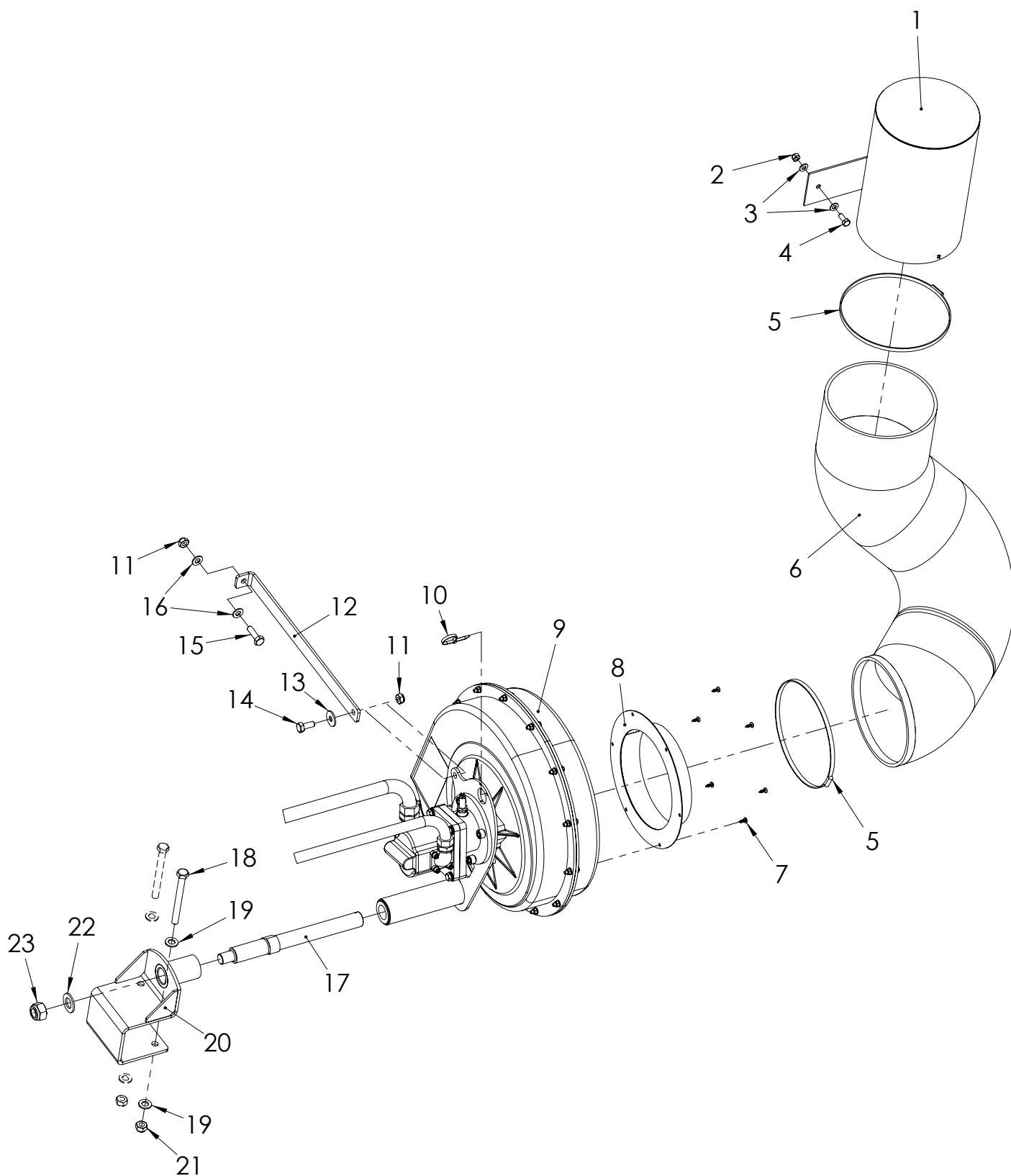
Nº	REF	DESCRIPTION
1	AG-041300	TUERCA CORREDERA HUSILLO DISTRIBUIDOR MISTRAL
2	AG-041340	CARCASA DISTRIBUIDOR MISTRAL 2010
3	AG-041302	GOMA INFERIOR DISTRIBUIDOR MISTRAL
4	AG-041341	TRAMPILLA VACIADO DISTRIBUIDOR MISTRAL
5	AG-041304	CEPILLO CIERRE DISTRIBUIDOR MISTRAL
6	AG-041305	RODILLO DISTRIBUIDOR MISTRAL
7	AG-041306	JAULA DISTRIBUIDOR MISTRAL
8	AG-041307	SEMITUBO DISTRIBUIDOR MISTRAL
9	AG-041308	GUIA DISTRIBUIDOR MISTRAL
10	AG-041309	HUSILLO DISTRIBUIDOR MISTRAL
11	AG-041310	GRADUADOR DISTRIBUIDOR NEUMASEM
12	AG-041315	LLAVE CIERRE DISTRIBUIDOR SEMILLAS FINAS MISTRAL
13	AG-041316	UÑAS CIERRE RODILLO SEMILLAS FINAS MISTRAL
14	AG-041317	DISCO PORTAUÑAS MISTRAL
15	CO-041305	DOSIFICADOR SEMILLA COMPLETO NEUMASEM MISTRAL
16	AG-041342	MANETA APERTURA TRAMPILLA VACIADO
17	AG-041319	PIÑÓN DE 19 Z DISTRIBUIDOR MISTRAL C/TALADROS
18	AG-041320	PIÑÓN DE 28 Z DISTRIBUIDOR MISTRAL
19	FE-600064	RODAMIENTO 6009 2RS CLASE B
20	472 75	ANILLO SAEGER DIN 472 75
21	471 45	ANILLO SAEGER DIN 471 45
22	AG-041321	ANILLO BLOQUEO DISTRIBUIDOR MISTRAL
23	920 4X20 BI	TORNILLO M 4X20 DISTRIBUIDOR MISTRAL
24	AG-041322	DISTANCIADOR TORNILLO DISTRIBUIDOR MISTRAL
25	125 6 BI	ARANDELA PLANA DIN 125 M6 BICROMATADA
26	137B 6	ARANDELA DE MUELLE DIN 137B M6
27	AG-041323	EJE RODILLO DISTRIBUIDOR MISTRAL
28	AG-041324	BRAZO SOPORTE DISTRIBUIDOR MISTRAL
29	AG-041336	TUERCA BRAZO SOPORTE DISTRIBUIDOR MISTRAL
30	125 18 BI	ARANDELA DIN 125 M18 BI
31	137B 18	ARANDELA M 17 (BRAZO DISTRIBUIDOR MISTRAL)
32	AG-041325	SOPORTE RODAMIENTO DISTRIBUIDOR MISTRAL
33	934 5 BI	TUERCA DIN 934 M5 BI
34	125 5 BI	ARANDELA PLANA DIN-125 M5 BICROMATADA
35	AG-041326	CEPILLO ROTATIVO DISTRIBUIDOR MISTRAL
36	472 47	ANILLO SAEGER DIN 472 47
37	AG-041328	PIÑÓN DE 14 Z ROJO DISTRIBUIDOR MISTRAL

Nº	REF	DESCRIPTION
38	471 15	ANILLO SAEGER DIN 471 15
39	471 25	ANILLO SAEGER DIN 471 25
40	AG-041331	PIÑÓN DE 19 Z DISTRIBUIDOR MISTRAL
41	AG-041332	CASQUILLO DISTRIBUIDOR MISTRAL
42	AG-041333	EJE AGITADOR DISTRIBUIDOR MISTRAL
43	CO-042404/11	RODAMIENTO 6002 2RS TRANSM. MISTRAL
44	FE-600047	RODAMIENTO 6005 2RS CLASE C CNR
45	1481 5x50 BI	PASADOR ELASTICO DIN 1481 M 5X50 BI
46	AG-041334	RODAMIENTO AY15 2RS
47	AG-041335	PROTECTOR MEDIA LUNA DISTRIBUID. MISTRAL(90048071)
48	444 8X35 BI	TORNILLO DIN 444 M-8X35 BICROM
49	315 8 BI	PALOMILLA DIN 315 M8 BICROMATADA
50	AG-041343	TAPETA TRASERA TRAMPILLA VACIADO DISTRIBUIDOR MIST
51	AG-041344	MUELLE TRAMPILLA VACIADO DISTRIBUIDOR MISTRAL



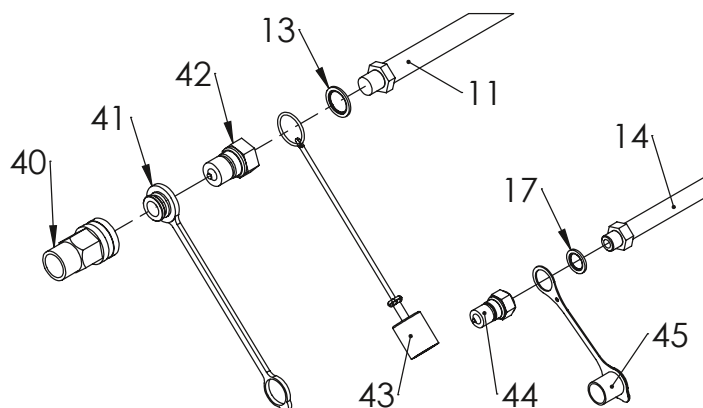
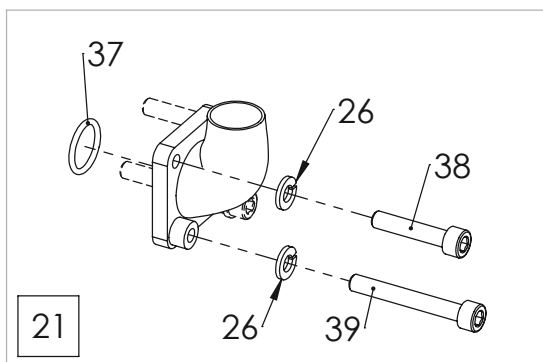
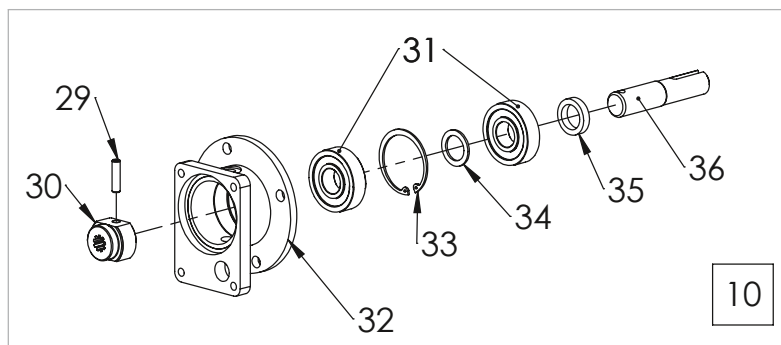
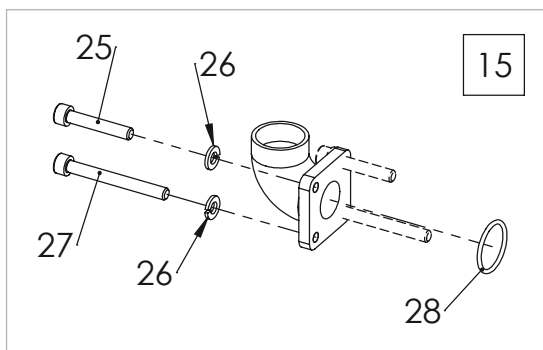
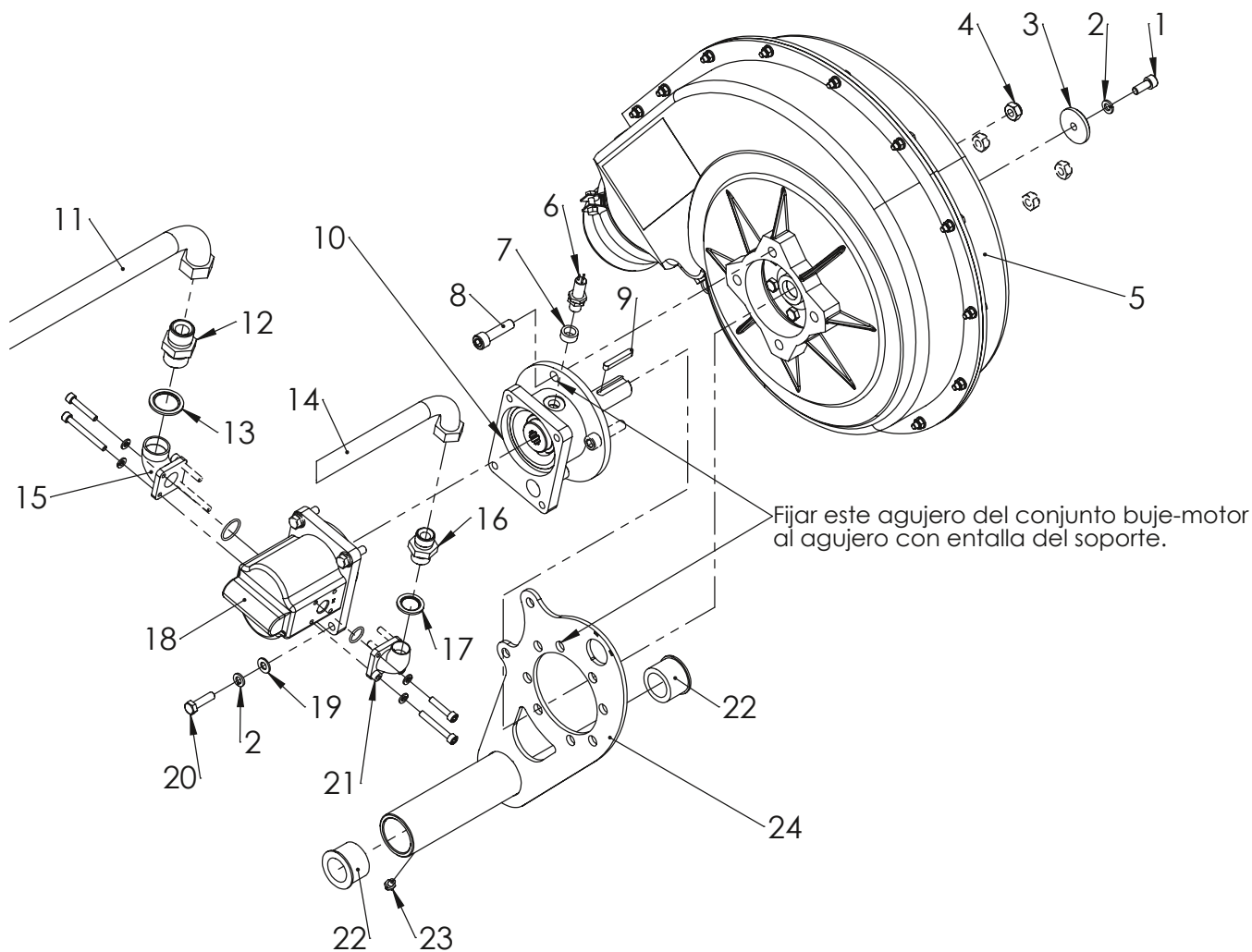
9.15 SMALL FAN WITH SUPORT AND FILTER

N°	REF	DESCRIPTION
1	PS-042400	FILTRO ASPIRACION AIRE TURBINA
2	985 8	TUERCA DIN 985 M8
3	125 8 BI	ARANDELA PLANA DIN-125 M8 BICROMATADA
4	933 8X20 8.8 B	TORNILLO DIN 933 M8X20 8.8 BI
5	FE-606026	BRIDA MIKALOR DIN 3017 200/220
6	VA-042410	TUBO Ø200 ASPIRACION TURBINA NEU-2512
7	7971 4,8X13 BI	TORNILLO DIN 7971 4,8X13 BI
8	PS-041326	ACOPAMIENTO TUBO ASPIRACION TURBINA NEUMASEM
9	CO-041310	TURBINA MECANICA MISTRAL SIN BUJE
10	FE-606013	BRIDA NYLON 4,8X200
11	985 10	TUERCA DIN 985 M10
12	PX-042443	TIRANTE SOPORTE TURBINA
13	9021 10 BI	ARANDELA DIN 9021 M10 BI
14	933 10X25 8.8 B	TORNILLO DIN 933 M10X25 8.8 BI
15	933 10X35 8.8 B	TORNILLO DIN 933 M10X35 8.8 BI
16	125 10 BI	ARAN PLANA DIN 125 M10 BI
17	ME-042801	EJE SOPORTE TURBINA HIDRAULICA
18	931 12X120 8.8B	TORNILLO DIN 931 12X120 8.8 BI
19	125 12 BI	ARANDELA PLANA DIN 125 12 BI
20	PS-042436	SOPORTE TURBINA HIDRAULICA
21	985 12	TUERCA DIN 985 M12
22	125 20 BI	ARANDELA DIN 125 M20 BI
23	985 20	TUERCA DIN 985 M20



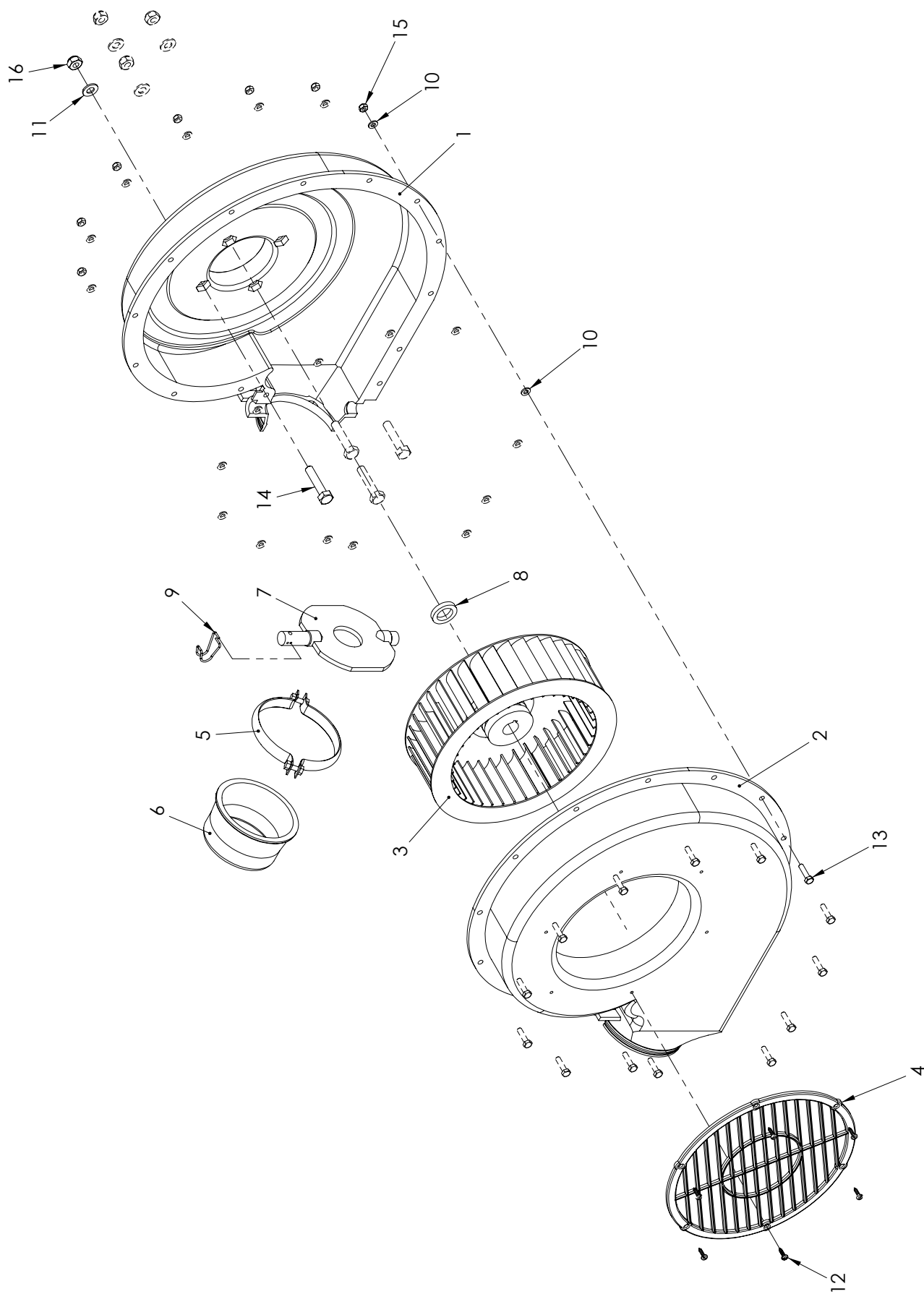
9.16 SMALL HYDRAULIC FAN

Nº	REF	DESCRIPTION
1	912 8X20 8,8	TORNILLO ALLEN DIN 912 M8x20 8,8
2	127 8 BI	ARANDELA GROWER DIN 127 8 BI
3	ME-041351	ARANDELA 40X8.5X6
4	985 10	TUERCA DIN 985 M10
5	CO-041310	TURBINA MECÁNICA MISTRAL SIN BUJE
6	MV-101334/05	SENSOR INDUCTIVO TURBINA RDS
7	ME-041335	ANILLO SENSOR TURBINA
8	912 10X40 8,8 B	TORNILLO ALLEN DIN 912 M10x40 8,8 B
9	6885-A 6X6X35	CHAVETA 6X6X35
10	MO-041356	BUJE ADAPTADOR EJE TURBINA GRANDE
11	HI-700916	TUBO R1AT 5/8" L=2.6M HG90°-MF3/4"
12	HI-704012	RACOR UNION MF3/4"-MF3/4"
13	HI-705004	ARANDELA METALBUNA 3/4"
14	HI-700915	TUBO R2AT 5/8" L=2.6M HG90°-MF1/2"
15	HI-708057	BRIDA ACODADA 3/4" SALIDA MOTOR CON ANTIRRETORNO
16	HI-704004	RACOR UNION MF1/2"-MF1/2"
17	HI-705002	ARANDELA METALBUNA 1/2"
18	HI-708055	MOTOR HIDR 8,3CM ANTIRETORNO INCORP.
19	125 8 BI	ARANDELA DIN 125 M8 BI
20	933 8X30 8.8B	TORNILLO DIN 933 M8x30 8,8 BI
21	HI-708056	BRIDA ACOD. 1/2" ENTR. MOTOR C/ ANTIRRETORNO
22	PL-041306	CASQ. DE FRICCIÓN Ø40x28x26 C/VALONA
23	FE-603001	ENGRASADOR RECTO M-6
24	PS-042802	SOPORTE TURBINA MECÁNICA
25	912 6X35 8,8 B	TORNILLO ALLEN DIN 912 M6x35 8,8 B
26	127 6 BI	ARANDELA GROWER DIN 127 6 BI
27	912 6X55 8.8 BI	TORNILLO ALLEN DIN 912 M6x55 8.8 BI
28	FE-601092	JUNTA TORICA Ø480 X4
29	7343 8X32	PASADOR ELAST. ESPIRAL DIN 7343 8X32
30	ME-041347	ADAPTADOR MOTOR-TURBINA
31	FE-600078	RODAMIENTO 6305 2RS CLASE A
32	ME-041346	BUJE ADAPTADOR MOTOR HIDR. TURBINA NEUMASEM
33	472 62	ANILLO SAEGER DIN 472 Ø62
34	ME-041349	ARANDELA 25X36X2.2
35	ME-041350	SEPARADOR 25X36X8
36	ME-041360	EJE TURBINA HIDRAULICA D320 NEUMASEM
37	FE-601091	JUNTA TORICA Ø480 X4
38	912 6X30 BI	TORNILLO ALLEN DIN 912 M6x30 BI
39	912 6X45 8.8 BI	TORNILLO ALLEN DIN 912 M6x45 8.8 BI
40	HI-701015	ENCHUFE RAPIDO HEMBRA 3/4"
41	HI-707010	TAPON M PARA HEMBRA ENCHUFE RAPIDO 3/4"
42	HI-701014	ENCHUFE RAPIDO MACHO 3/4"
43	HI-707011	TAPON H PARA MACHO ENCHUFE RAPIDO 3/4"
44	HI-701000	ENCHUFE RAPIDO MACHO 1/2"
45	HI-707001	PROTECTOR P/ACOPL. HIDR. RAPIDO HEMBRA 1/2"



9.17 TRANSMISSIONS

N°	REF	DESCRIPTION
1	CO-041310-01	CUERPO TURBINA MISTRAL
2	CO-041310-02	TAPA CUERPO TURBINA MISTRAL
3	CO-041310-03	ROTOR TURBINA MISTRAL
4	CO-041310-04	REJILLA PROTECCION TURBINA MISTRAL
5	CO-041310-05	BRIDA TURBINA MISTRAL (TORN Y TUERCA INCL)
6	CO-041310-06	BOQUILLA REDUCCION TURBINA MISTRAL
7	CO-041310-07	OBTURADOR TURBINA MISTRAL
8	CO-041310-08	SEPARADOR ROTOR BUJE TURBINA MISTRAL
9	CO-041310-09	GANCHO FIJACION OBTURADOR
10	125 6 BI	ARANDELA DIN 125 M6 BI
11	125 10 BI	ARANDELA DIN 125 M10 BI
12	7971 4,2X16 BI	TORNILLO DIN 7971 4,2x16 BI
13	933 6X25 8.8B	TORNILLO DIN 933 M6x25 8,8 BI
14	933 10X50 8.8 B	TORNILLO DIN 933 M10x50 8,8 BI
15	985 6	TUERCA DIN 985 M6
16	985 10	TUERCA DIN 985 M10

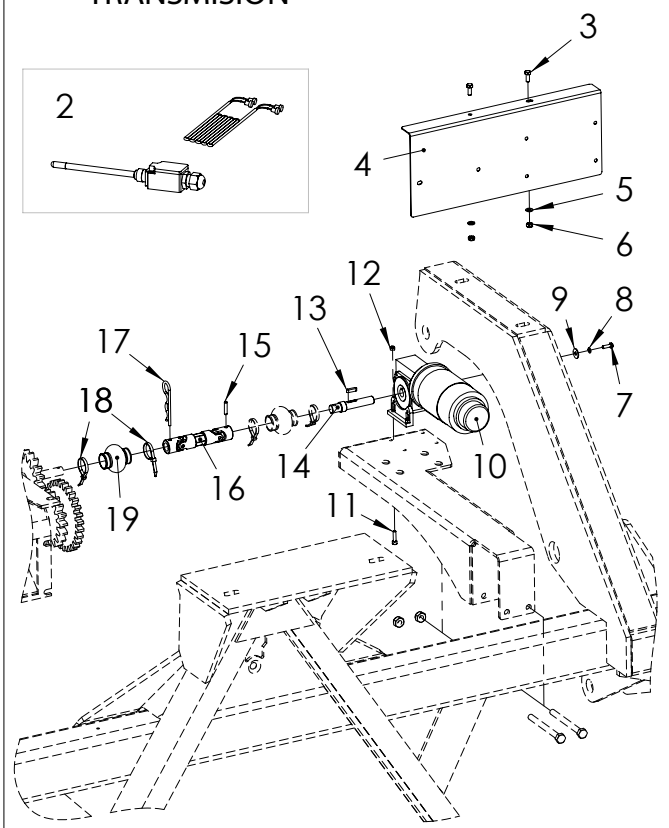


9.18 TRANSMISSIONS

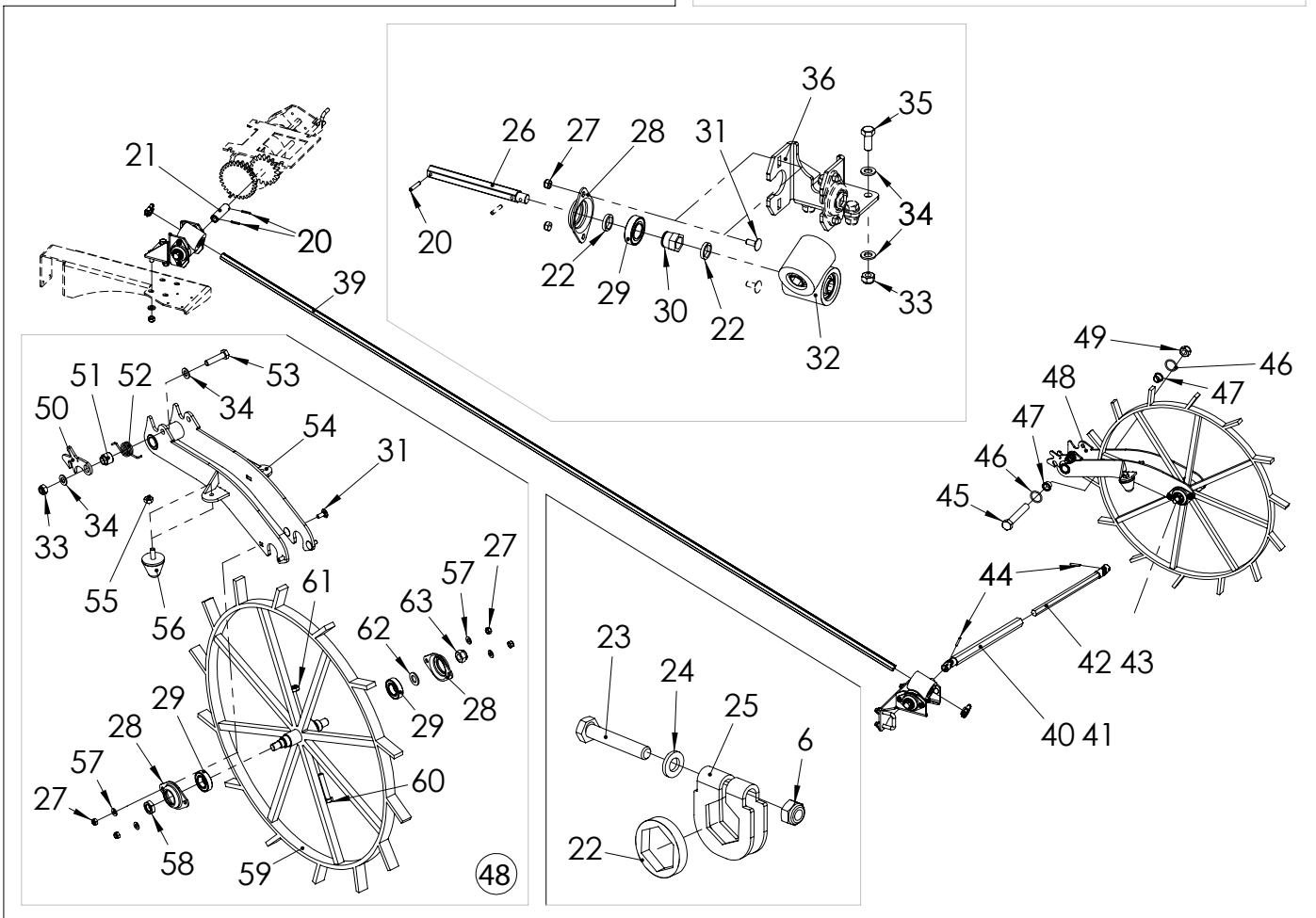
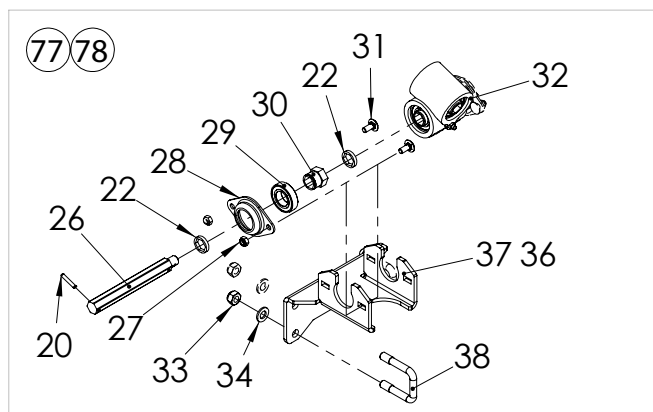
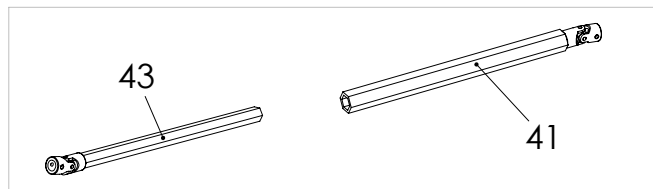
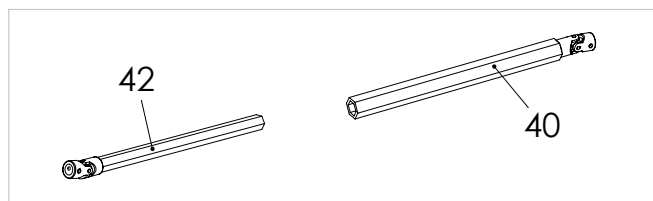
Nº	REF	DESCRIPTION
1	EO-102404	CONJUNTO CONTROLADOR ARTEMIS LITE RDS NEU-2512
2	MV-101319	INTERRUPTOR DE DEDO PARA MARCADOR DE CAMINOS RDS
3	933 6X16 8.8 B	TORNILLO DIN 933 M6X16 8.8 BI
4	PX-102425	SOPORTE CAJAS CONEX. CON RADAR NEU 2512
5	125 6 BI	ARANDELA PLANA DIN 125 M6 BICROMATADA
6	985 6	TUERCA DIN 985 M6
7	933 5X16 8.8 B	TORNILLO DIN 933 M 5X16 8.8 BICROMATADO
8	127 5 BI	ARANDELA DIN 127 M5 BI
9	9021 6 BI	ARANDELA PLANA DIN 9021 M6 BI
10	MV-101328	CONTROLADOR COMPLETO SEMBRADORA ARTEMIS LITE RDS
11	912 5X20 8.8 B	TORNILLO DIN 912 M5X20 8.8 BICROMATADO
12	985 5	TUERCA DIN 985 M5 BICROMATADO
13	6885-A 5X5X20	CHAVETA DIN 6885 FORMA A DE 5X5X20
14	ME-141325	EJE TRANSMISION MOTOREDUCTOR
15	1481 5X25 BI	PASADOR ELASTICO DIN 1481 M 5X25 BI
16	PS-042458	CARDAN UNION MOTOR DISTRIBUIDOR NEU-2512
17	FE-610003	PASADOR "R" DE 4 MM
18	FE-606013	BRIDA NYLON 4,8X200
19	PL-041714	FUELLE JUNTA UNIVERSAL 104G
20	1481 5X30 BI	PASADOR ELASTICO DIN 1481 M 5X30 BI
21	ME-042451	UNION DISTRIB. TRANSM. 90 SUP. REJAS NEU-2512
22	PX-042820	DISTANCIADOR HEX. 19 E=5
23	931 6X35 8.8 B	TORNILLO DIN 931 6X35 8.8 BICROMATADO
24	125 6 BI	ARANDELA PLANA DIN 125 M6 BICROMATADA
25	PX-141726	BLOQUEADOR HEX. 19
26	ME-042452	EJE HEX. TRANSM 90°
27	985 8	TUERCA DIN 985 M8
28	EE-041701	SOPORTE RODAMIENTO 6005 PROSEM
29	FE-600047	RODAMIENTO 6005 2RS CLASE C CNR
30	ME-041711	EJE TUBO HEX. PARA 6005 P.V. PROSEM
31	603 8X20 BI C/C	TORNILLO DIN 603 M8X20 CUELLO CORTO BICROMATADO
32	CO-141736	TRANSMISION 90° HEX. 19 1:1 (S.W. 2023)
33	985 12	TUERCA DIN 985 M12
34	125 12 BI	ARANDELA PLANA DIN 125 12 BI
35	933 12X30 8.8 B	TORNILLO DIN 933 M12X30 8.8 BI
36	PS-042455	SOPORTE TRANSMISION 90° NEU-2512
37	PX-042457	SOPORTE TRANSMISION 90° DISCOS
38	EE-101746	BRIDA "U" 40 M12 L=62
39	CT-042423	HEX 19 TRANSMISION RASTR-DISTR. REJAS NEU-2512
40	PS-042452	HEMBRA TRANSMISION TELESCOPICA RUEDA NEU-2512
41	PS-042454	HEMBRA TRANSM. TELESCOPICA REJAS 300-350 NEU-2512
42	PS-042451	MACHO TRANSMISION TELESCOPICA RUEDA NEU 2512

Nº	REF	DESCRIPTION
43	PS-042453	MACHO TRANSM. TELESCOPICA REJAS 300-350 NEU 2512
44	1481 5X35 BI	PASADOR ELÁSTICO DIN 1481 Ø5X35 BICROMATADO
45	931 20X150 8,8BI	TORNILLO DIN 931 M20X150 8,8 BI
46	FE-601094	JUNTA TORICA Ø34X4
47	FE-600066	CASQUILLO DE FRICCION 20X23X16.5 CON VALONA
48	MO-042422	RUEDA TRANSMISION CENTRAL RASTRILLA NEU-2512
49	985 20	TUERCA DIN 985 M20
50	PX-042450	GATILLO SUJECION RUEDA TRANSMISION NEU-2512
51	ME-042448	CAQUILLO TOPE GATILLO MUELLE NEU-2512
52	ML-042401	MUELLE GATILLO RUEDA TRANSMISION NEU-2512
53	933 12X50 8.8 B	TORNILLO DIN 933 M12X50 8.8 BI
54	PS-042450	BIELA BRAZO RUEDA TRANSMISION NEU-2512
55	934 10 BI	TUERCA DIN 934 M10 BI
56	FE-660042	TOPE PROGRESIVO CÓNICO GOMA M-10
57	125 8 BI	ARANDELA PLANA DIN-125 M8 BICROMATADA
58	439 B 18 BI	TUERCA DIN 439 B M18 BI
59	CO-042407	RUEDA TRANSMISION
60	933 10X60 8.8 B	TORNILLO DIN 933 M 10X60 8.8 BICROMATADO
61	985 10	TUERCA DIN 985 M10
62	125 16 BI	ARANDELA DIN 125 M16 BI
63	985 16	TUERCA DIN 985 M16

① ELECTRICAL TRANSMISSION

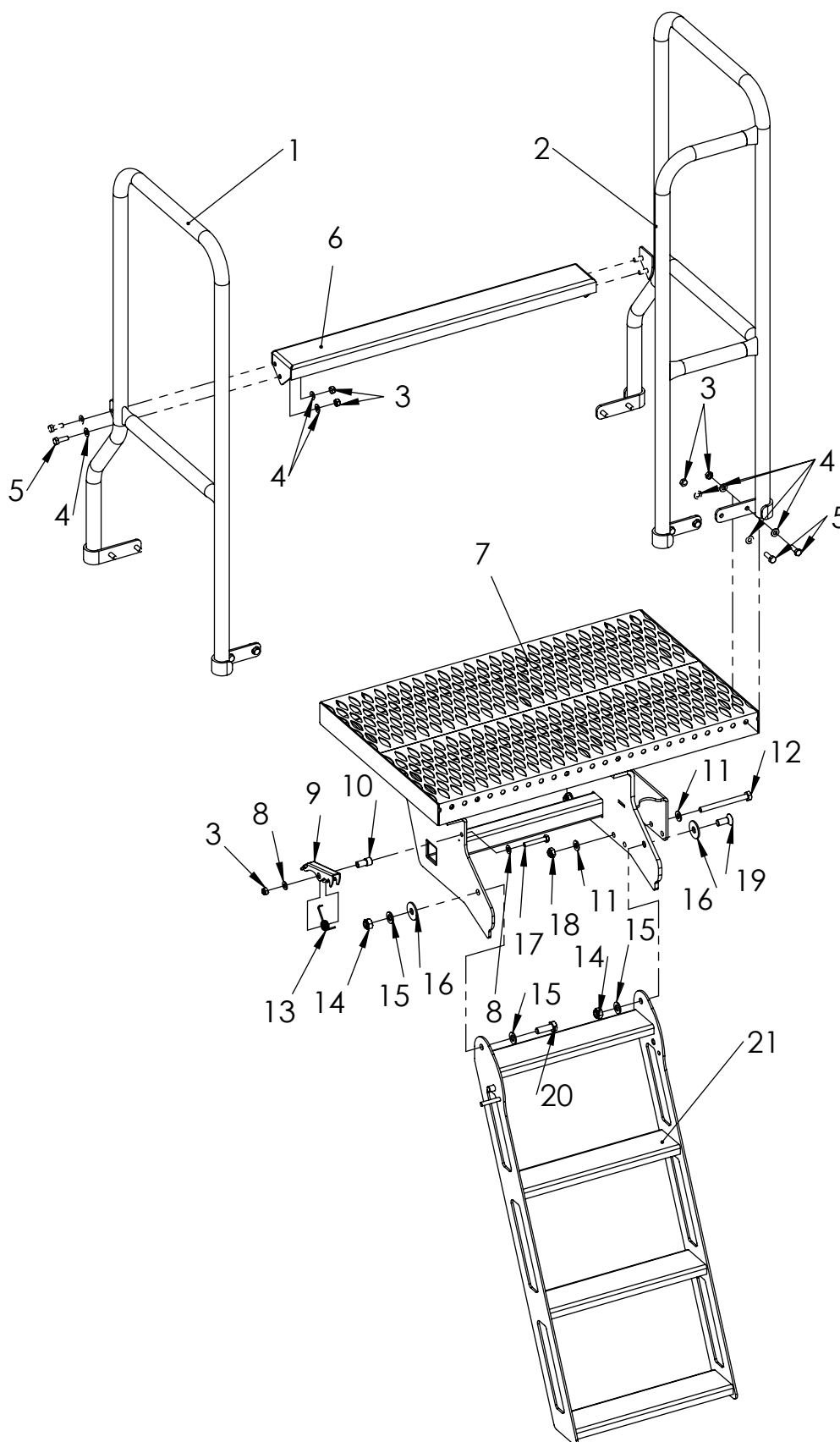


MECHANICAL TRANSMISSION



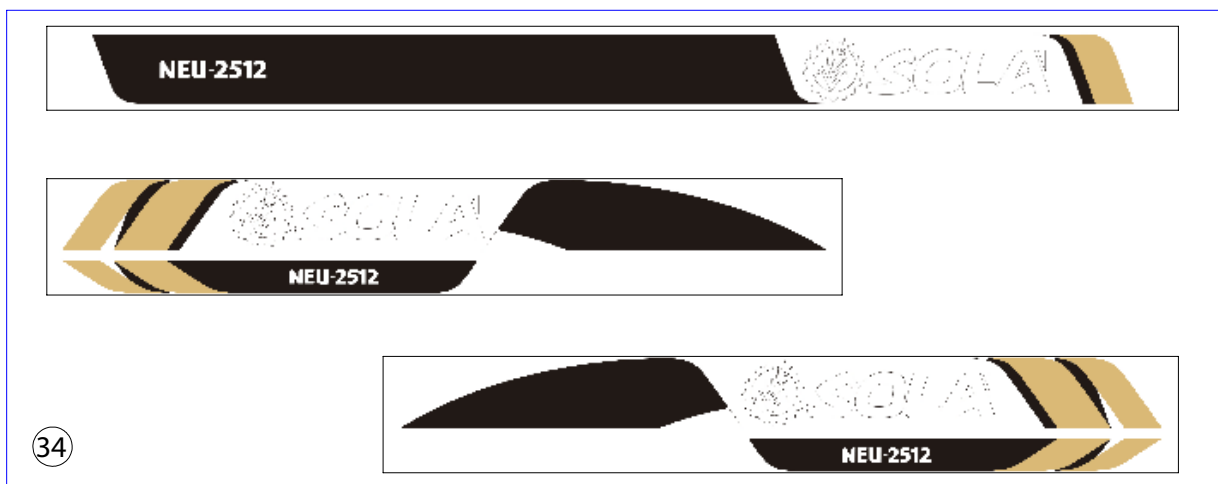
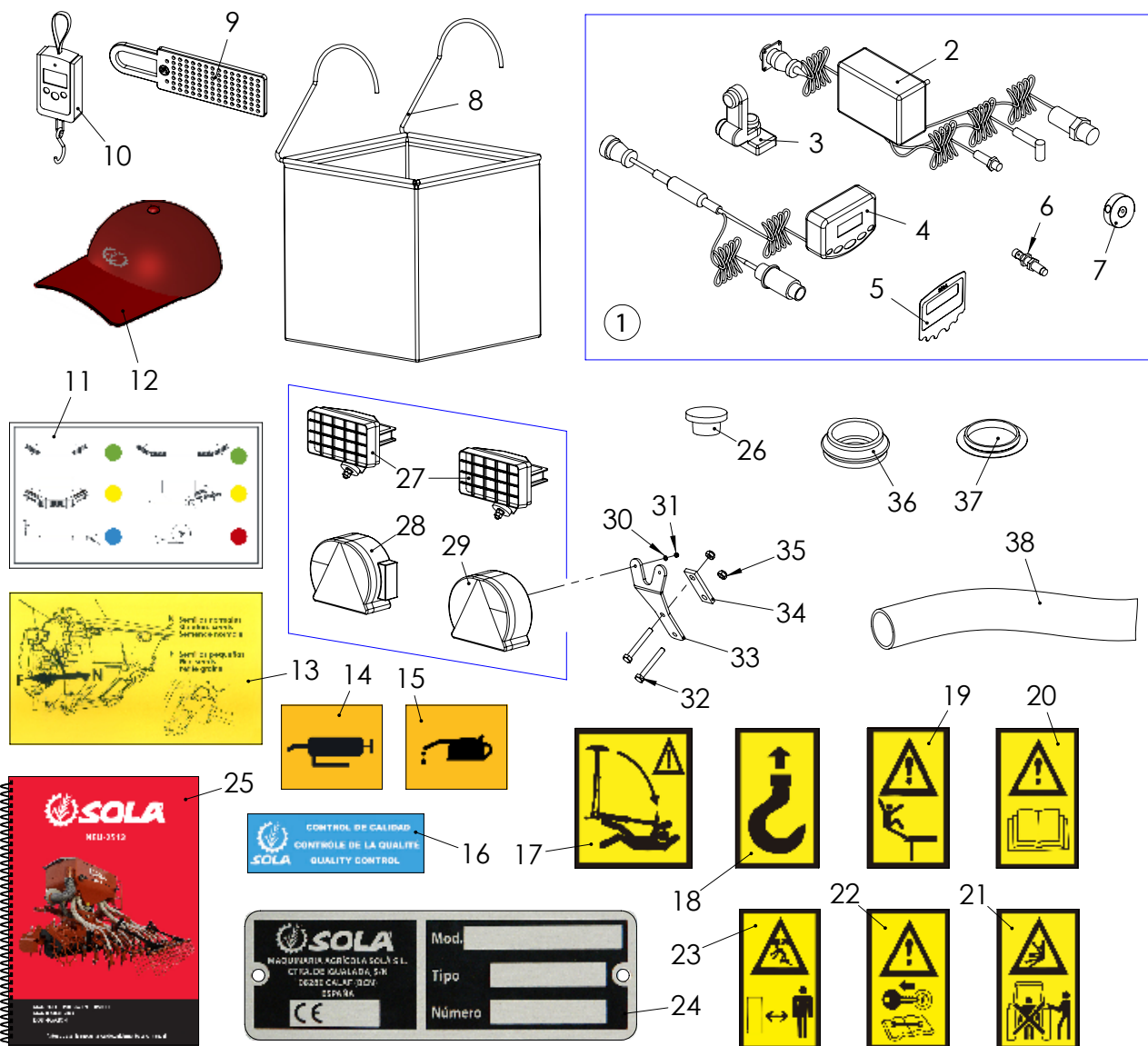
9.19 STAIR

N°	REF	DESCRIPTION
1	PS-102405	BARANDILLA IZQ. ESCALERA
2	PS-102404	BARANDILLA DER. ESCALERA
3	985 8	TUERCA DIN 985 M8
4	125 8	ARANDELA DIN 125 M8
5	933 8X25 8.8B	TORNILLO DIN 933 M8x25 8,8 BI
6	PS-102407	TIRANTE ESCALON ESCALERA
7	PS-102403	SOPORTE PLATAFORMA ESCALERA
8	125 8 BI	ARANDELA DIN 125 M8 BI
9	PX-072835	SEGURO ESCALERA SM-1909
10	ME-072813	CASQUILLO SEGURO ESCALERA
11	125 10 BI	ARANDELA DIN 125 M10 BI
12	931 10X110 8.8B	TORNILLO DIN 931 M10x110 8,8 BI
13	ML-072800	MUELLE TORSION SEGURO ESCALERA
14	985 12	TUERCA DIN 985 M12
15	125 12 BI	ARANDELA DIN 125 M12 BI
16	9021 12 PA	ARANDELA PLANA DIN 9021 M12 PA
17	933 8X50 8.8B	TORNILLO DIN 933 M8x50 8,8 BI
18	985 10	TUERCA DIN 985 M10
19	7991 12X30 BI	TORNILLO DIN 7991 M12x30 BI
20	933 12X35 8.8B	TORNILLO DIN 933 M12x35 8,8 BI
21	PS-102408	ESCALERA INFERIOR MOVIL NEU 2512



9.20 FINISHES

Nº	REF	DESCRIPTION
1	MV-101334	CONTROLADOR SEMBRADORA RDS NEUMATICA - KIT BASE
2	MV-101334/03	CABLEADO KIT BASE
3	MV-101334/06	SOPORTE ANCLAJE MONITOR NEUMASEM RDS
4	MV-101334/01	MONITOR NEUMASEM-NEUMASEM PLUS RDS
5	MV-101334/02	CARATULA MONITOR NEUMASEM
6	MV-101334/05	SENSOR INDUCTIVO TURBINA RDS 2012
7	MV-101334/04	IMAN RDS (3 IMANES)
8	MO-072812	BOLSA CALIBRACION SEMILLA 30X30X30 2011
9	C11-41	CUENTA SEMILLAS
10	CN-808058	BALANZA COLGANTE MOD.V15916 MAX 40 KG
11	AD-073807	ADHESIVO IDENTIFICACION CIRCUITOS HIDRAULICOS
12	CN-812027	GORRA ALG LIGERO ROJO12 C/SANW NEGR.BORDADO" SOLA"
12	CN-812028	GORRA ALG GRUESO NEGRO C/SANW BLAN.BORDADO" SOLA"
13	AD-041304	ADHESIVO POSICIONES N-F DISTRIBUIDOR NEUMASEM
14	AD-071710	ADHESIVO ENGRASE
15	AD-071711	ADHESIVO LUBRIFICACIÓN
16	AD-070211	ADHESIVO CONTROL CALIDAD SOLA - TRILINGÜE
17	A10-53	ADHESIVO PELIGRO TRAZADORES
18	A10-56	ADHESIVO "ENGANCHE AQUI"
19	A10-83	ADHESIVO "PELIGRO CAIDA"
20	AD-070206	ADHESIVO «LEER LIBRO DE INSTRUCCIONES»
21	A10-82	ADHESIVO PELIGRO "MANIOBRA ENGANCHE"
22	AD-070227	ADHESIVO "PARAR MOTOR"
23	A10-32	ADHESIVO "PELIGRO APLAST"
24	AD-070217	PLACA PATENTE 100X33 ALUMINIO MATE
25	CN-811072	MANUAL INSTRUCCIONES SOLA NEU 2512
26	PL-021303	TAPON FORMA BARRIL Ø 9,3
27	MV-071306-06	FARO DE TRABAJO RECTANGULAR NEUMASEM 2010
28	MV-071306-01	LUZ NEUMASEM 2010 IZQ
29	MV-071306-03	LUZ NEUMASEM 2010 DER
30	125 5 BI	ARANDELA PLANA DIN-125 M5 BICROMATADA
31	985 5	TUERCA DIN 985 M5 BICROMATADO
32	931 10X80 8.8 B	TORNILLO DIN 931 M10X80 8.8 BI
33	PX-101373	PORTALUCES NEUMASEM 2010
34	B10-45	BRIDA PORTALUCES NEUMASEM NEUMASEM
35	985 10	TUERCA DIN 985 M10
36	PL-021301	PASAMANGUERAS TOLVA NEUMASEM
37	PL-021300	TAPON AGUJERO PASAMANGUERAS NEUMASEM
38	MP-907018	MTS. MANGUERA SOLA 30 ANTIESTATICA (ROLLO 50 MTS.)



10. NOTES

DATE	NOTES

MAQUINARIA AGRÍCOLA SOLÁ, S.L.

Ctra. de Igualada, s/n. Apdo. Correos, 11
08280 CALAF (Barcelona) **ESPAÑA**

Tel. 34 93 868 00 60

Fax. 34 93 868 00 55

www.solagrupo.com

e-mail: sola@solagrupo.com

