

NS PLUS 2311

**STARTING MANUAL
MAINTENANCE
DOSAGE
SPARE PARTS**

Please read and follow this operating manual before putting the machine into operation.



SOLÁ seed drills and fertilizer spreaders are manufactured in a highly specialized environment and our factory has a vast customer-endorsed experience.

SOLÁ machines use highly advanced technology and are guaranteed to work without malfunctions in a great variety of conditions. They are provided with easy-to-use and efficient devices.

SOLÁ machines perform excellently with only minimum operator maintenance.

This manual will help you use your **SOLÁ** product with the upmost efficiency.



Certified quality system

3rd Edition – November 2012

Ref.: CN-811067-GB

Created by: www.ciandisseny.com

It is forbidden to copy any part of this manual.

Specifications are subject to change or modification without notice.

The pictures included do not necessary show the standard version.

TABLE OF CONTENTS

1.-INTRODUCTION	7
2.- TECHNICAL CHARACTERISTICS	
2.1 Overview	9
2.2 Technical characteristics	10
2.3 Characteristics of machines with high capacity hoppers	10
2.4 Standard equipment	11
2.5 Optional equipment	11
3.- SAFETY INSTRUCTIONS	
3.1 Safety symbols	13
3.2 Specific use according to design	15
3.3 General safety regulations	15
3.4 Loading and unloading instructions	17
4.- ESSENTIAL SOWING CONCEPTS	
4.1 Terrain	19
4.2 Seeds	19
4.3 Seed planting depth	19
5.- STARTING	
5.1 Coupling the seed drill	23
5.2 Hydraulic connections	25
5.3 Hydraulic System	26
5.4 Transit position	28
5.5 Loading the seed drill manually	30
5.6 Loading the seed drill using a worm screw	30
5.7 The built-in supporting legs	31
6.- DOSAGE	
6.1 Regular seeds	35
6.2 Fine seeds (microdosing)	36
6.3 Previous flow test	38
6.4 Complementary dosing tests	41
6.4.1 Test to determine the number of wheel turns	41
6.4.2 Seed dosing adjustments	43

7.- ADJUSTING SEED PLANTING DEPTH

7.1	Main adjusting spindles	45
7.2	Inclination of the folding parts	47
7.3	Leveller	47
7.4	Equipments with tine coulters	49
7.5	Equipments with disc coulters	50
7.6	Harrow	51
7.7	Hydraulic track markers	52
7.7.1	Adjusting track marker's length	53
7.7.2	Adjusting track marker's inclination	54

8.- TYPES OF DISTRIBUTION

8.1	Seed distribution by mechanical fan	55
8.2	Seed distribution by hydraulic fan	56

9.- OPTIONAL EQUIPMENT 57**10.- ELECTRONICAL CONTROLLER**

10.1	Front panel description	59
10.2	Forward speed – C1	60
10.3	Total area /Seed drill width - C2	61
10.4	Electronical controller with Tramline	63
10.5	Tramlining	64
10.6	Fan RPM / Fan alarms – C4	71
10.7	Seed shaft RPM – C5	72
10.8	Hopper low level alarm – C6	72

11.- MAINTENANCE

11.1	Lubrication	73
11.2	Tyres pressure	74
11.3	Screws	74
11.4	Distributor head and seed hoses	75

12.- DOSAGE TABLES

12.1	Dosage table	79
------	--------------------	----

13.- SPARE PARTS

13.1	Introducción	81
13.2	Chasis equipo rejas rectas 400-450-500-600	82

13.3	Chasis equipo doble disco 400-450-500-600	86
13.4	Niveladora plana	92
13.5	Niveladora de púas equipo rejas rectas	94
13.6	Niveladora de púas equipo doble disco	96
13.7	Borrahuellas equipo rejas rectas	98
13.8	Borrahuellas equipo doble disco	100
13.9	Borrahuellas para cultivador	102
13.10	Cultivador flotante	104
13.11	Cultivador integrado	106
13.12	Brazo siembra fijo	110
13.13	Brazo siembra regulable	112
13.14	Brazo doble disco	114
13.15	Brazo doble disco largo	118
13.16	Rastra	122
13.17	Ruedas chasis	126
13.18	Rueda control profundidad eq. rejas rectas	128
13.19	Rueda control profundidad eq. doble disco	130
13.20	Tolva	132
13.21	Turbina hidráulica pequeña	138
13.22	Turbina hidráulica grande	142
13.23	Turbina mecánica pequeña	148
13.24	Turbina mecánica grande	152
13.25	Turbina pequeña con buje	156
13.26	Turbina mecánica grande D 320 Mistral	158
13.27	Distribución neumática	160
13.28	Distribuidor con manivela de regulación	164
13.29	Cierre salidas partes plegables simétrico	168
13.30	Cierre salidas partes plegables asimétrico	170
13.31	Marcador de caminos	174
13.32	Transmisión mecánica	178
13.33	Transmisión mecánica para cultivador integrado	182
13.34	Escalera equipo rejas rectas	186
13.35	Escalera equipo doble disco	190
13.36	Trazador equipo rejas recatas	194
13.37	Trazador equipo doble disco	198
13.38	Hidráulica equipo de siembra	202
13.39	Hidráulica trazadores equipo rejas rectas	206
13.40	Hidráulica trazadores equipo doble disco	208
13.41	Hidráulica cultivador integrado	210
13.42	Acabados	212
	Notas.....	219

1.- INTRODUCTION

It is essential to read and follow the instructions and recommendations in this manual before operating the seed drill **NS PLUS 2311**. Careful reading enables maximum operator efficiency, prevents accidents and damage, and increases the seed drill's capacity and life expectancy.

Please ensure that this manual has been read by any person involved in performing **operational tasks**, (including preparation, dealing with mechanical problems and supervising the machine), **maintenance** (inspection and technical assistance) and **transport**.

For your safety, please follow these technical safety instructions as SOLÀ will not be responsible for damages caused by not observing the information provided.

In the first chapters you will find the Technical Characteristics and Safety Instructions, as well as some essential sowing concepts. Basic concepts that are required to operate the machine are explained in the Starting and Maintenance sections.

The last part of this manual consists of Dosage Tables, detailed by seed type.



SOLÀ RETAINS THE RIGHT TO MODIFY ILLUSTRATIONS, TECHNICAL DATA AND WEIGHTS INDICATED IN THIS OPERATING MANUAL, IF THESE CHANGES HELP TO IMPROVE THE QUALITY OF THE SEED DRILLS.

In this operating manual you will find three different symbols relating to safety:



TO WORK MORE EASILY WITH THE SEED DRILL.



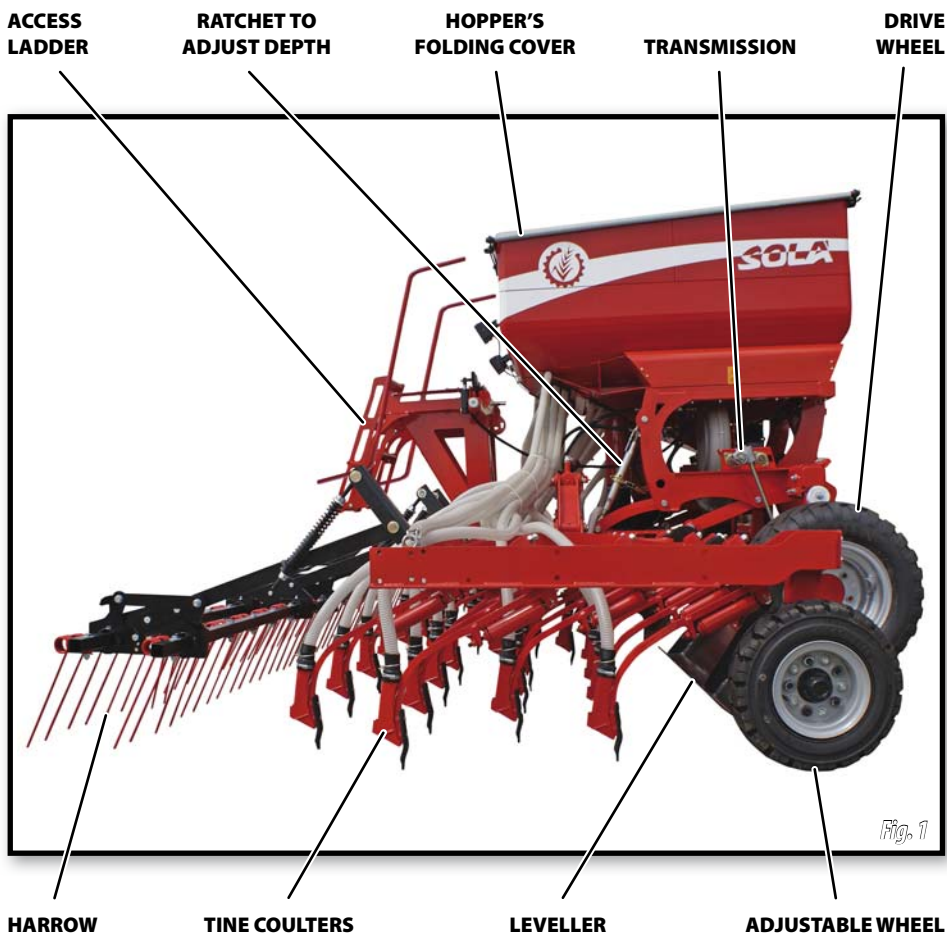
TO PREVENT DAMAGE TO THE SEED DRILL AND OPTIONAL EQUIPMENT.



TO PREVENT PHYSICAL INJURY.

2.- TECHNICAL CHARACTERISTICS

2.1 OVERVIEW



2.2 TECHNICAL CHARACTERISTICS

TYPE / ROWS	ROWS SPACING	WORKING WIDTH	SEED HOPPER CAPACITY	TRANSPORT WIDTH	WEIGHT WITH CULTIVATOR	WEIGHT WITH TRACK ERASERS
400/32	12,5 cm.	4 m.	1.600 l.	3,05 m	1.950 Kg.	1.670 Kg.
450/36	12,5 cm.	4,5 m.	1.600 l.	3,05 m	2.070 Kg.	1.770 Kg.
500/40	12,5 cm.	5 m.	1.600 l.	3,05 m	2.180 Kg.	1.850 Kg.
600/40	15 cm.	6 m.	1.600 l.	3,05 m	2.360 Kg.	2.080 Kg.
600/48	12,5 cm.	6 m.	1.600 l.	3,05 m	2.410 Kg.	2.100 Kg.

2.3 CHARACTERISTICS OF MACHINES WITH HIGH CAPACITY HOPPERS

TYPE / ROWS	ROWS SPACING	WORKING WIDTH	SEED HOPPER CAPACITY	TRANSPORT WIDTH	WEIGHT WITH CULTIVATOR	WEIGHT WITH TRACK ERASERS
400/32	12,5 cm.	4 m.	2.000 l.	3,05 m	2.005 Kg.	1.715 Kg.
450/36	12,5 cm.	4,5 m.	2.000 l.	3,05 m	2.125 Kg.	1.815 Kg.
500/40	12,5 cm.	5 m.	2.000 l.	3,05 m	2.235 Kg.	1.905 Kg.
600/40	15 cm.	6 m.	2.000 l.	3,05 m	2.415 Kg.	2.135 Kg.
600/48	12,5 cm.	6 m.	2.000 l.	3,05 m	2.445 Kg.	2.155 Kg.

2.4 STANDARD EQUIPMENT

- Hopper of 1600-2000 litres capacity.
- Seed selecting sieve
- Scales, crank and seed counter.
- Track eraser.
- Independent hydraulic track markers – horizontal folding.
- Screen displaying fan's rpm, seed wheels's turning alarm, hopper's seed level sensor and hectare counter.
- Signalling light equipment
- Work lights.
- Hydraulic connection to operate a worm screw .
- Rear harrow with three sections.
- Mechanical fan with PTO shaft.
- Hydraulic fan provided in seed drills with front or integrated cultivator.
- Floating wheels 340/55-16, with scrapers.
- Depth adjustable wheels in the folding parts.
- Ladder to gain access to the hopper.
- Spindle to adjust sowing depth.
- Hopper's folding cover.

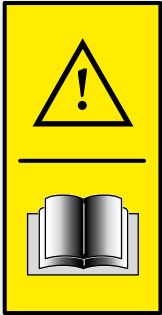
2.5 OPTIONAL EQUIPMENT

- Triple smooth or tines leveller.
- Front cultivator.
- Integrated cultivator.
- Hoppers and dosing system kit for microfertilizer.
- Total sowing shut-off.
- Shut-off mechanism for seed hoses in folding parts.
- Radar artemis
- Tramlines
- Preemergence track markers.
- Hydraulic fan

3. SAFETY INSTRUCTIONS

3.1 SAFETY SYMBOLS

On the machine you will find the following warning pictograms:



Read the instructions carefully and observe the safety advice given in the operating manual.



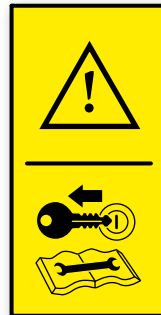
Never stand under the sowing equipment or swivel area of the machine's extension tine coulters.

Risk of serious physical injury.



During the coupling manoeuvre, stay away from the rear part of the tractor.

Risk of serious physical injury.



While maintaining or repairing the seed drill, stop the tractor's engine and prevent it from starting. The ignition key must be removed.



Danger of infection from escaping hydraulic fluid at high pressure! This can inflict serious injuries with potentially fatal consequences if it passes through the skin and into the body. Keep the hose lines in good condition.

Risk of serious physical injury.



It is forbidden to ride on the machine during operation.
Risk of serious physical injuries.



Risk of being crushed when working under the machine, please secure the machine to prevent this risk.
Risk of serious physical injuries.



The direction and speed that the PTO shaft turns (only in machines equipped with mechanical fan).



Coupling point for transportation by crane.



Never stand under the track markers nor inside their action area.
Risk of serious physical injuries.

3.2 USE ACCORDING TO DESIGN

- The Seed Drill **NS PLUS 2311** has been designed for cereal and other kind of grain seeds.
- If the machine is used in circumstances other than the above, the manufacturer will not be held responsible for any damage caused.
- The user must observe all regulations concerning safety, traffic and hygiene.
- If the machine is modified by the user, the manufacturer's warranty is cancelled. **SOLÁ** will not be held responsible for any damage caused.

3.3 GENERAL SAFETY INSTRUCTIONS



- Before starting the machine, please check the machine is in good condition for work and is safe for road use.



- Check that visibility is clear around the machine and there is no person in the working area.



- In thoroughfare, please observe traffic signs and regulations.



- It is forbidden to ride on the machine or climb into the machine when it is running.



- Before using the machine, the user must be familiar with all operating elements.



- Please be extremely careful when coupling and uncoupling the machine to the tractor.



- Please check that the PTO shaft is in good condition and well protected. Prevent the protective tube from turning by holding both the tube and chain provided for this purpose.



- Mount the PTO shaft's transmission only when the tractor's engine is off.



- Before connecting the PTO shaft, be sure that the danger zone surrounding the machine is clear.



- Never leave the tractor's driver's seat while the machine is in operation.



- Do not deposit external elements inside the hopper.



- When maintaining the hydraulic system of the seed drill, make sure that it is depressurised and the tractor's engine is off.



- Please regularly check the condition of the tubes and hosepipes in the hydraulic system. These parts age naturally and their life should not surpass 6 YEARS. Please replace when necessary.



- When raising the seed drill, the front axle is unloaded. Ensure that the machine has enough load to prevent it overturning. At this time you must ensure that the condition of both the steering and the brakes is optimal.



- During transit with the raised seed drill, block the lowering switch. Before leaving the tractor, lower the seed drill onto the ground and remove the tractor's starting key.



- Always use enough supporting elements when maintaining the machine in a raised position to prevent the machine from lowering or falling.

3.4 LOADING AND UNLOADING INSTRUCTIONS

Use a bridge crane to load and unload the truck. A specifically designed hook, as shown in figure 2, should be used to prevent damage caused by the weight of the machine itself. Tow ropes should be fastened to the machine's tripod as well as to the fasten points situated in the tine coulters' chassis.



Fig. 2

4. ESSENTIAL SOWING CONCEPTS

4.1 TERRAIN



The better the soil condition, the better the sowing quality. Work is more difficult on big clods or uneven furrows.

Although **SOLÀ** machines resist harsh conditions, if the seedbed does not satisfy appropriate conditions then the sowing quality will suffer.

4.2 THE SEED



It is essential that seeds are well maintained and clean. Barley seeds should be trimmed.

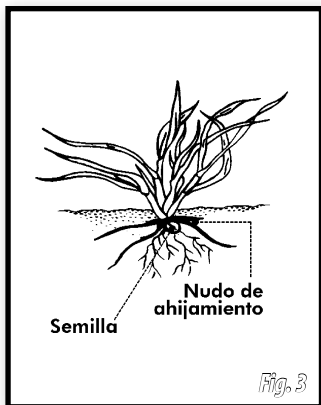
4.3 SEED PLANTING DEPTH



The recommended seed planting depths are from 3 to 5 centimetres. Planting too deep causes problems as rhizome cannot reach the surface and the plant will die. It does not matter that some grains are visible because the harrow's tines will cover them eventually.

The seed planting depth has consequences for tillering, as well as for the plant's strength and its ability to resist frostbite or drought. The parent shoot grows from 1 to 2 cm under the ground, whatever the depth of the seed.

Planting deeper does not necessarily mean getting deeper roots. Only a few roots grow from the lower part of the seed. Most of them grow from a parent shoot close to ground level.



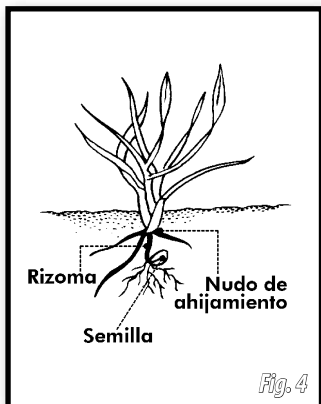
Normal Planting Depth: from 2 to 4 cm

Thick stem, short rhizome and resistant to frostbite.

Multiple tillering providing from 3 to 6 shoots and a lot of blades, from 6 to 10.

Deep and thick roots, approximately 5 cm in width and 10-12 cm in depth.

With less grains per sowing square metre, more ears are obtained.



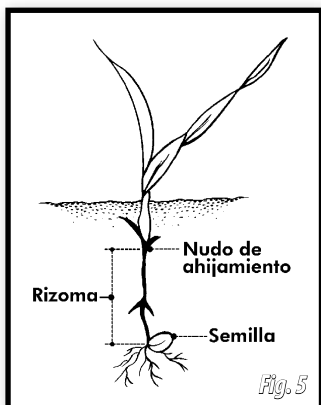
Deeper Planting: from 5 to 6 cm

Fine stem, rhizome exposed to frostbite.

Late and weak tillering, 1 or zero shoots and only a few blades, 3-4 aprox.

Medium quality roots of approximately 3 cm in width and 5 cm in depth

More grains per sowing square metre are required to obtain the same number of ears as in the previous case.



Very deep planting: from 8 to 10 cm

Very fine stem. No tillering and only one blade.

Seed runs out of supplies by growing a long rhizome which frostbite can easily cut.

The plant takes weak roots, approximately 1 cm in width and 3 cm in depth.

Twice the number of grains per sowing metre are required to obtain the same number of ears as in the first case.

**WARNING**

IN VERY COLD PLACES, REPEATED FROSTBITE CAN HAVE A HONEYCOMB EFFECT ON THE GROUND'S MOST SUPERFICIAL LAYER. IN THIS CASE THE PLANT'S VERY FIRST ROOTS CAN LOOSEN AND THE PLANT WILL DIE. SLIGHTLY DEEPER PLANTING IS RECOMMENDED AND IF POSSIBLE, THE USE OF ROLLERS TO COMPACT THE EARTH TO BETTER PROTECT THE SEEDS.

IN ALL SOLÀ SEED DRILLS, THE RIGHT SIDE WHEEL ACTIVATES THE SEED DISTRIBUTOR'S MECHANICAL TRANSMISSION. CONSEQUENTLY, SHARP CURVES SHOULD BE PERFORMED TOWARDS THE LEFT SIDE, SINCE USING THE GROUND WHEEL DRIVE WOULD CAUSE A LESSER SEED DISTRIBUTION.



WHEN STARTING THE MACHINE, FURROWS WILL NOT CONTAIN ANY SEEDS FOR A METRE.

WHEN STOPPING THE MACHINE, SEEDS WHICH WERE PREVIOUSLY INSIDE THE SEED HOSES, SLIDE FROM THE MACHINE AND END UP PILED ON THE GROUND.

TAKE THIS INTO ACCOUNT WHEN STOPPING AND STARTING THE MACHINE IN ORDER TO ACHIEVE MORE ACCURACY.



ALWAYS WORK AT A UNIFORM SPEED AS SUDDEN ACCELERATING AND SLOWING DOWN WILL CAUSE AN IRREGULAR SEED DISTRIBUTION.

5. STARTING

5.1 COUPLING THE SEED DRILL

Seed drill **NS PLUS 2311** is supplied with a three-point linkage of category 3.



Make sure that no person or object is ever between the seed drill and the tractor when coupling both machines.



To couple the seed drill and the tractor, follow these steps:



Fig. 6

Place the fast-locking balls in the two lower bolts (fig. 6).

Next, couple the fertilizer using the three-point linkage (fig. 7).

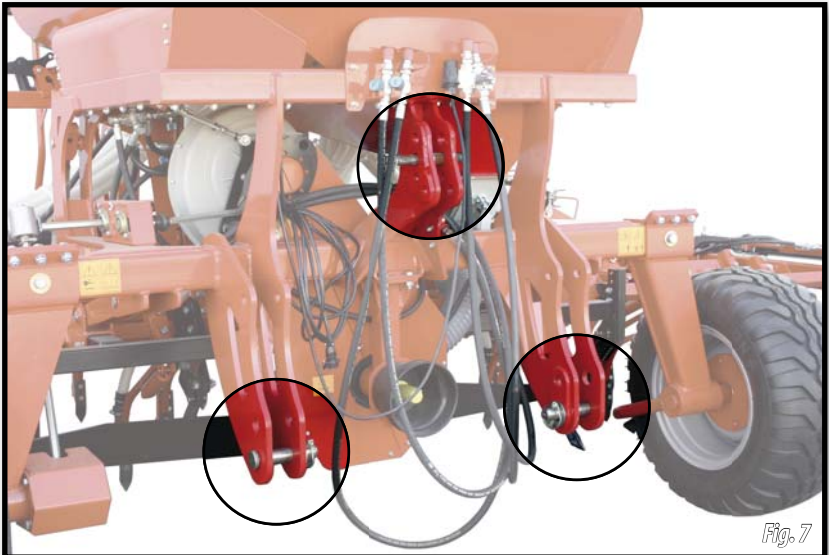
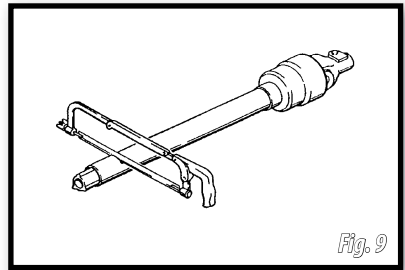
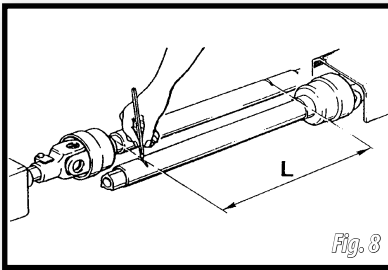


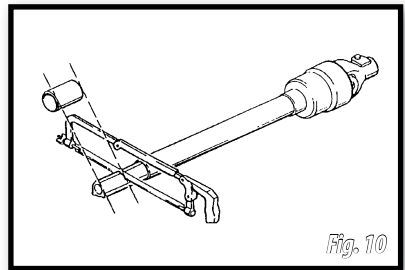
Fig. 7

Once the seed drill is coupled with the tractor, **THE PTO SHAFT SHOULD BE ADAPTED:**

- 1- Dismount and insert one end into the tractor's universal joint shaft and the other end into the seed drill.
Look for the minimal movement length "L" (fig. 8) by raising and lowering the hydraulic lift.
- 2- Cut the spare plastic and metal into parts of the same length and remount the PTO shaft.
- 3- Operate the hydraulic lift and check that the PTO shaft's movement is correct.
- 4- Secure the PTO shaft using the chain.



WHEN OPERATING THE PTO SHAFT CHECK THAT THE ENGINE IS OFF. ALWAYS WORK WITH THE PTO SHAFT PROTECTED AND IN GOOD CONDITION. PREVENT THE PTO SHAFT'S TUBE FROM TURNING BY SECURING IT WITH THE CHAIN PROVIDED.



WHEN LOWERING THE SEED DRILL TO THE GROUND, UNPLUG THE TRACTOR'S UNIVERSAL JOINT SHAFT SO THAT THE PTO SHAFT DOES NOT HAVE AN EXCESSIVE INCLINATION (MAX. 35°).



When holding the tractor universal joint shaft's clutch in, perform it gently. STARTING SUDDENLY COULD SERIOUSLY DAMAGE THE SEED DRILL.

5.2 HYDRAULIC CONNECTIONS

To use the machine's hydraulic connections you will need:

WHEN FOLDING AND UNFOLDING THE MACHINE (1, fig. 11):

- a double-acting connection.

WHEN FOLDING AND UNFOLDING THE TRACK MARKERS (2, fig. 11):

- a double-acting connection.

If the machine has **HYDRAULIC FAN**:

- an extra single-acting (connection) and a free return line.

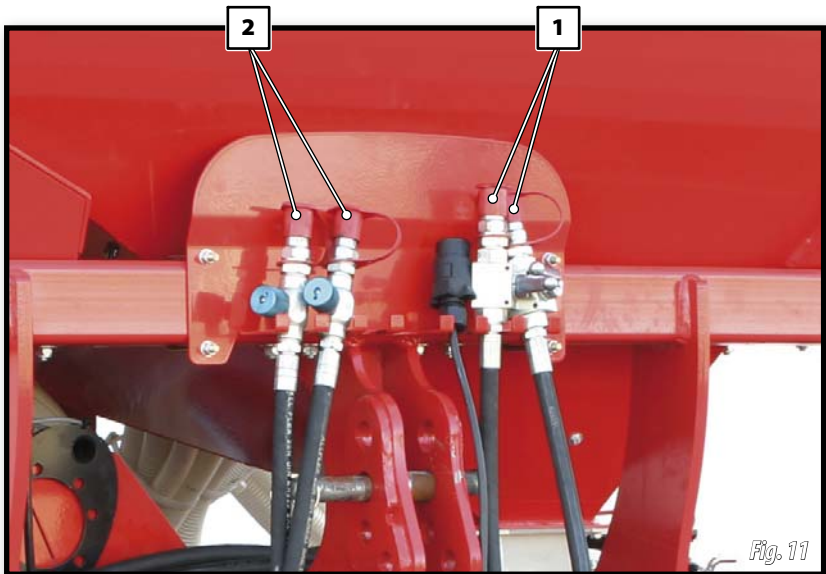


Fig. 11



FOR THE FREE RETURN LINE CONNECTION USE THE PLUG-ADAPTER PROVIDED (fig. 12).



Fig. 12

5.3 HYDRAULIC SYSTEM

FLOW REGULATORS

To smoothly hydraulically fold and unfold the seed drill, there are two flow regulators (fig. 14) that perform both actions respectively. They should be adjusted depending on the hydraulic flow supplied by the tractor.

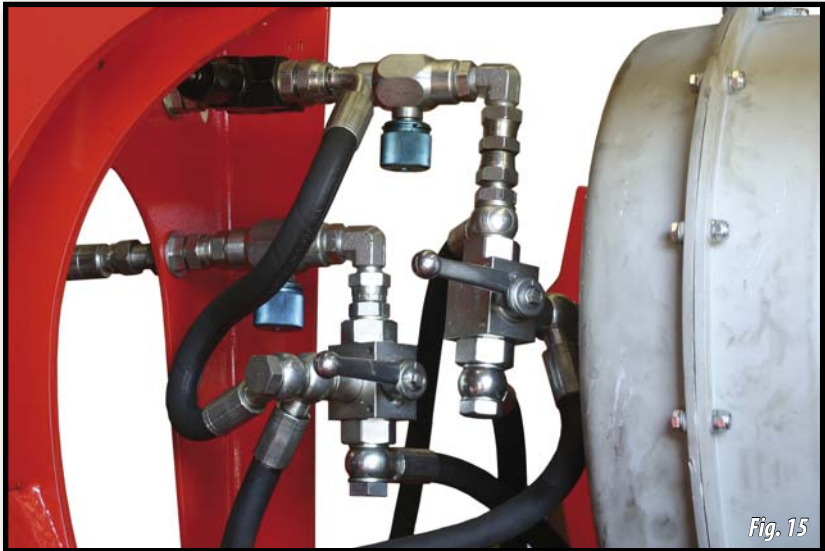


NEVER STAND UNDER THE MACHINE'S EXTENSION ARMS OR IN THEIR SWIVEL AREA (FIG. 13).

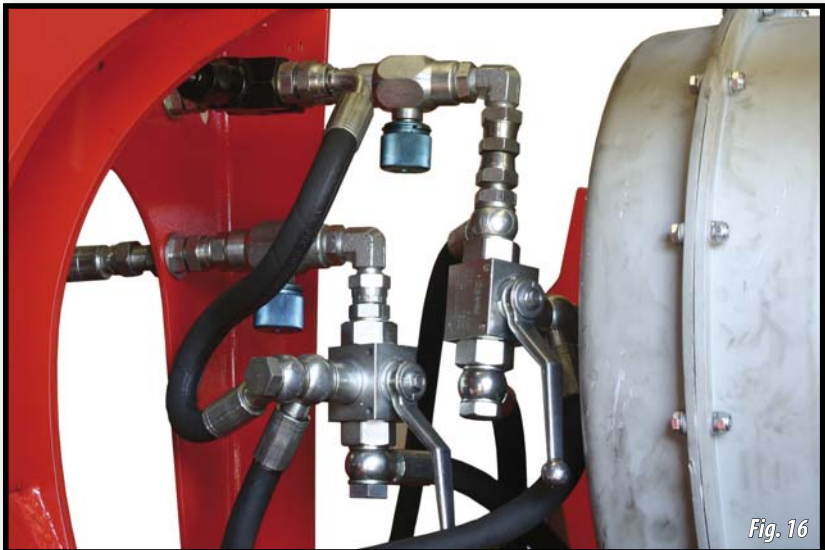
Starting with an almost completely closed flow regulator is recommended to prevent folding too fast, which could damage the seed drill.



This is the POSITION OF THE TAPS of the hydraulic system to fold and unfold the folding parts:



This is the position of the taps of the hydraulic system to OPERATE the worm screw .



5.4 TRANSPORT POSITION

To set up the transport position, follow these steps:



Fig. 17



- 1- Fold the TRACK MARKERS (fig. 18).
- 2- Raise the machine until the TINE COULTERS are detached from the ground (fig. 19).
- 3- Fold the INTEGRATED CULTIVATOR (optional equipment):

- Fold the cultivator to its POSITION OF MINIMUM DEPTH.

- Fold the 2 FOLDING PARTS of the machine.



Fig. 18



Fig. 19

- 4- Fold the 2 FOLDING PARTS of the machine and check that the 2 SAFETY TRIGGERS that secure the folding parts are correctly fastened. This will prevent the folding parts from falling during transit.
- 5- Check that the LADDER to gain access to the hopper and the hopper's folding cover are both folded and secured (see section 5.5).

Check that the SIGNAL LAMPS are working properly.

The machine is provided with 2 hydraulic safety triggers which must be used to secure the folding parts during transit.



After coupling the seed drill to the tractor, check that the safety triggers are correctly in transport position.



Prevent the mobile parts from moving.



Before starting to sow, make sure the triggers have been unfastened and the folding parts are unfolded.

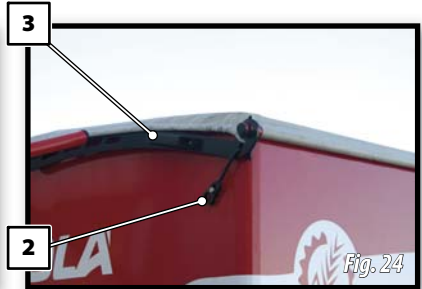
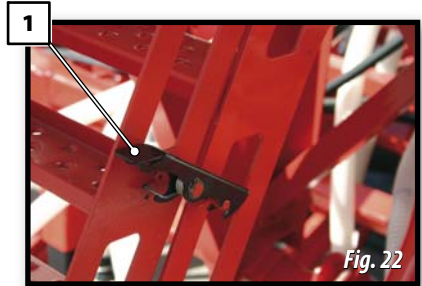


5.5 LOADING THE SEED DRILL MANUALLY

For access to the hopper, the access ladder should be unfolded.

Pull the trigger (1, fig. 22) to free the folding flight to the ground (fig. 23).

To fold, return the folding flight until the safety trigger is secured.



Remove the tension element (2, fig. 24) of the hopper's folding cover and fold it over to the left using the handle (3, fig. 24).

5.6 LOADING THE SEED DRILL USING A WORM SCREW

The machine is provided with a connection (fig. 25) to load the hopper using a worm screw.

Set the position of the taps (fig. 26) as shown in the picture.



5.7 THE BUILT-IN SUPPORTING LEGS

The machine has two built-in supporting legs to prevent it from falling back during the uncoupling manoeuvre.

Before starting work with the machine, RAISE THESE SUPPORTS.



WORKING WHILE THE SUPPORTS ARE IN PLACE MAY CAUSE DAMAGES TO THE MACHINE.



Before raising the supporting legs, THE MACHINE MUST BE RAISED to make the operation easier and prevent the machine from falling backwards.



Fig. 27

- 1- Remove the safety ring (1, fig. 28).
- 2- Remove the securing bolt (2, fig. 28).
- 3- Shift the support upwards.
- 4- Align the 2 holes and place the securing bolt (2, fig. 29).
- 5- Place the safety ring again. (1, fig. 29).

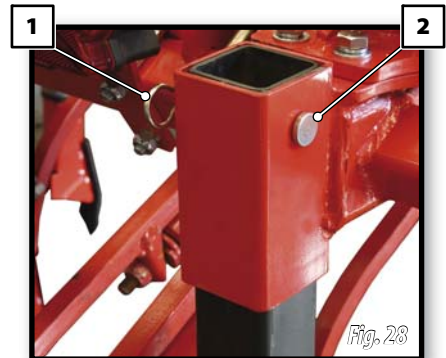


Fig. 28

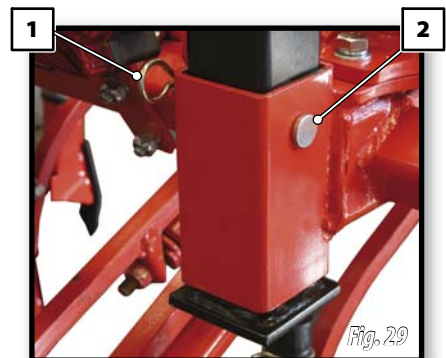


Fig. 29

6. DOSAGE

There are two ways of dosing:

- for **REGULAR SEEDS**.
- for **FINE SEEDS** with minimum flow rate.

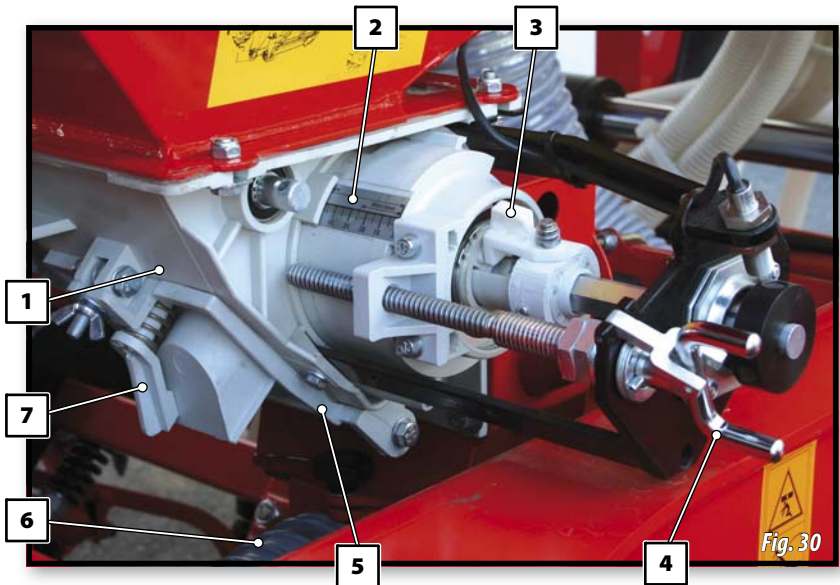


Fig. 30

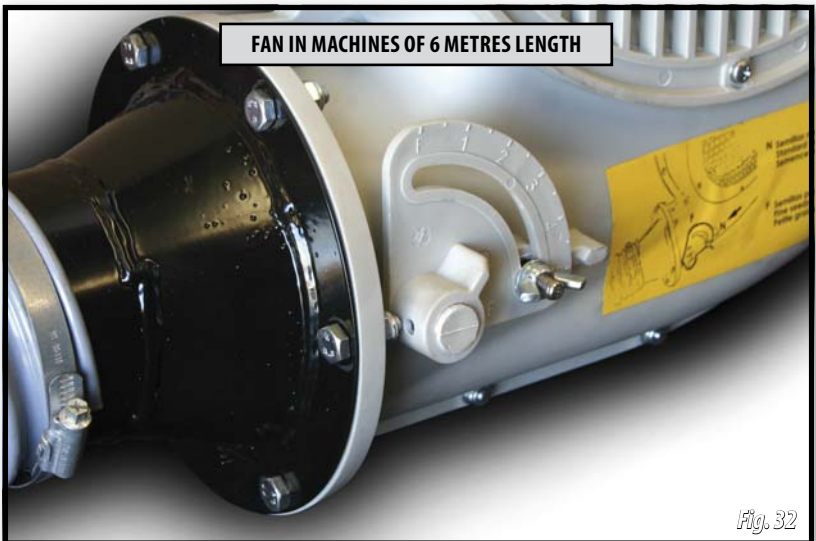
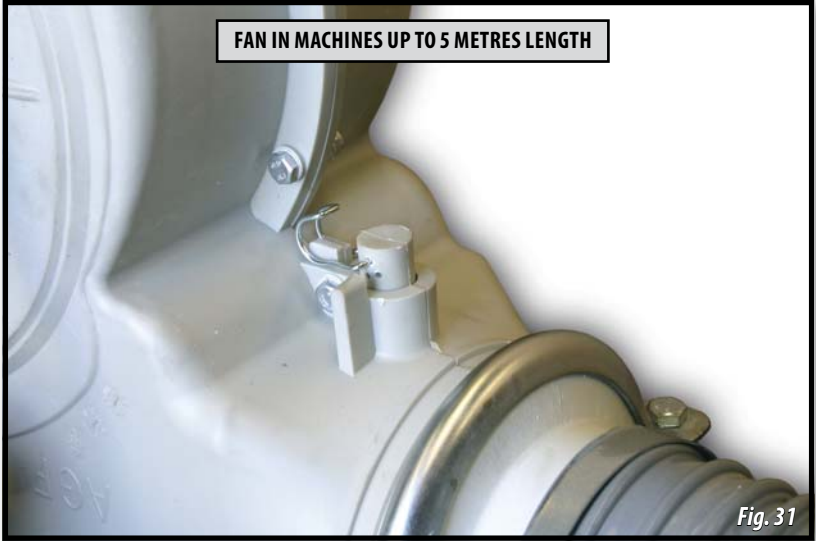
1	Seed distributor
2	Dosing adjusting scale
3	Bolt N = regular seed F = fine or small seed
4	Spindle
5	Trap-door to empty the hopper and the seed distributor.

6	Venturi injector sluice
7	Quick emptying trap-door
8*	Clip pin of the air outlet to fan* N = regular seed F = fine or small seed

*(see next page)



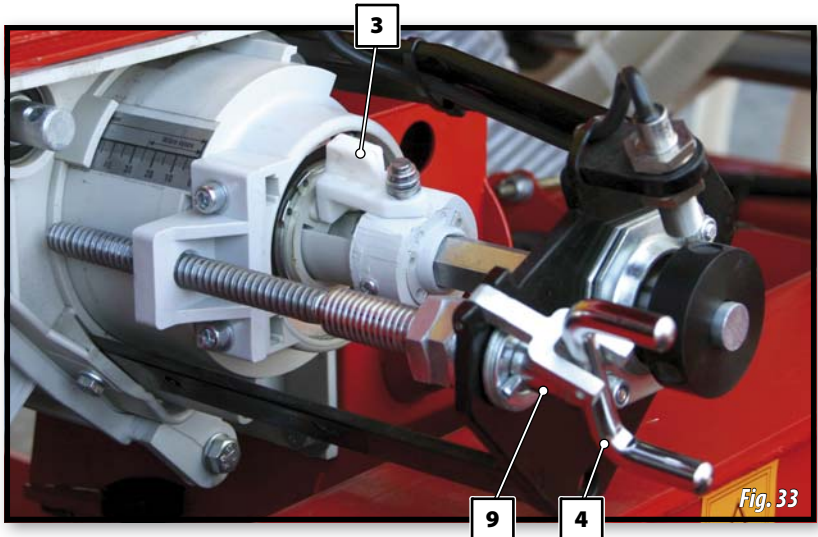
WHEN CHANGING THE BOLT'S POSITION (3) IT IS ESSENTIAL THAT THE SPINDLE (4) CAN TURN FREELY AND THE HOPPER IS EMPTY.



6.1 REGULAR SEEDS (position N)

When sowing using REGULAR SEEDS, proceed as following:

- 1- Remove the safety fork (9, fig. 33)
- 2- Keep the bolt (3, fig. 33) in the position as indicated in the figure.
- 3- Turn the spindle (4, fig. 33) to adjust dosing.

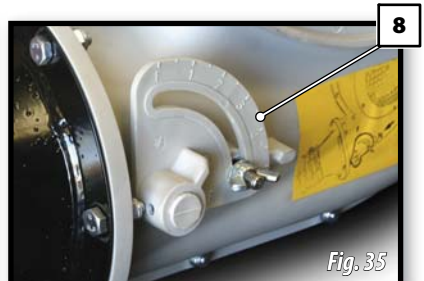


- 4- Place the clip pin of the air outlet to fan (8, fig. 34-35) at position N.

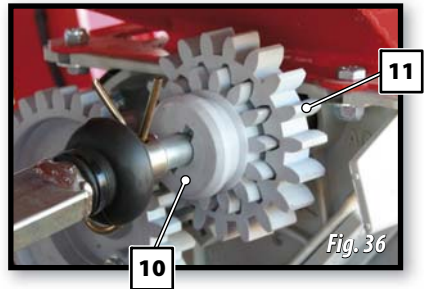
Fan in machines up to 5 metres length.



Fan in machines of 6 metres length.



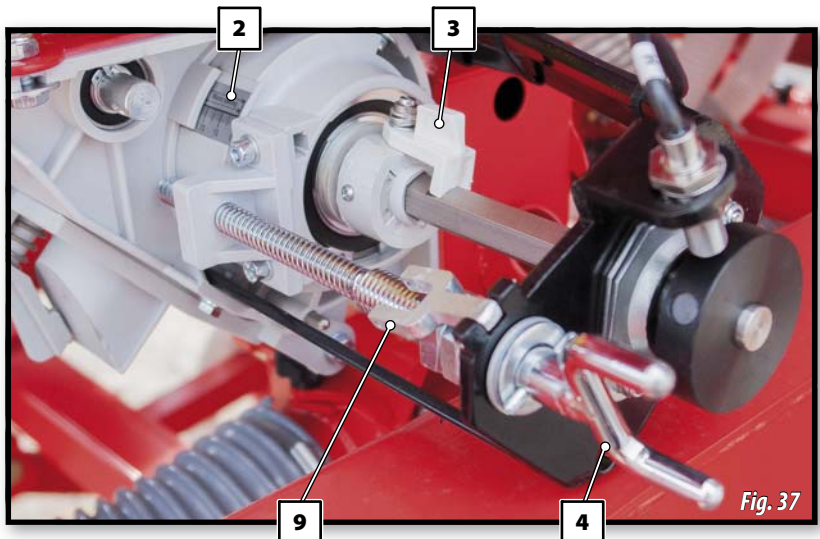
- 5- Pinion gear n°10 must be fit into pinion gear n°11, as shown in figure 36.



6.2 FINE SEEDS (microdosing – Position F)

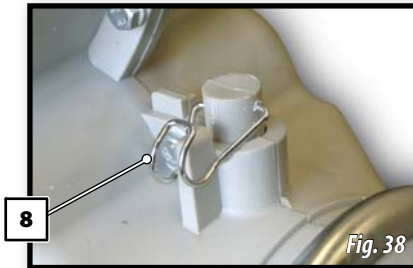
When sowing using FINE SEEDS, proceed as following:

- 1- Remove the safety fork (9, fig. 37).
- 2- Turn the spindle (4, fig. 37) to position 0 on the scale (2, fig. 37).
- 3- Turn the bolt (3, fig. 37) until it is inserted into axle slot, like to the picture.

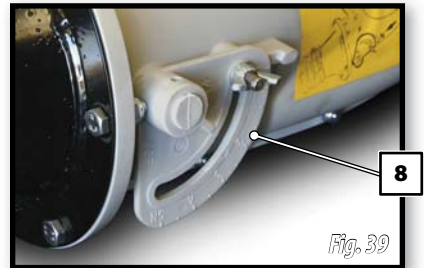


- 4- Place the clip pin of the air outlet to fan (8, fig. 38-39) at **position F** (fine seed).

Fan in machines up to 5 metres length.

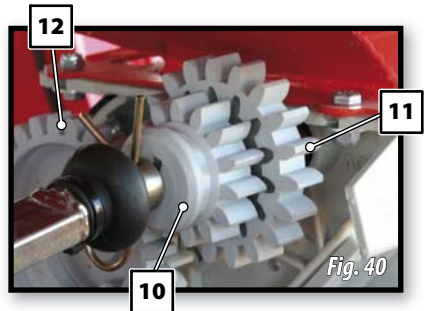


Fan in machines of 6 metres length.



- 5- Turn the spindle (4, fig. 37) to adjust dosing between 0 and 25.

- 6- Pull the pinion gear n°10 until it **is released** from the pinion gear n°11 and fit it into pinion gear n°12 (fig. 40).



- 7- Once the seed distributor is set in position F (microdosing), the **ELECTRONICAL CONTROLLER** needs to be configured (see page 54, working in micro mode).



The aim of microdosing is to better distribute both fine and regular seeds in small numbers.



The correct value for using microdosing F-system in fine seeds can be found in the dosing tables (see section 12 - DOSAGE TABLES).



CHECK THE CLEANING BRUSH IS IN GOOD CONDITION BEFORE BEGINNING TO SOW FINE SEEDS.



WHEN MICRODOSING FINE SEEDS, DO NOT EXCEED NUMBER 25 IN ADJUSTING SCALE (2, FIG.37) .

6.3 PREVIOUS FLOW TEST



IT IS ESSENTIAL THAT THE MACHINE, THE TRACTOR AND THE UNIVERSAL JOINT SHAFT ARE ALL SWITCHED OFF.

To perform the test, follow these instructions:

- 1-** FILL THE HOPPER with seeds.

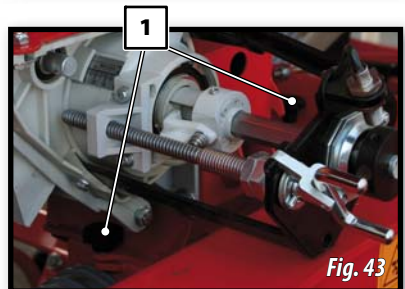


- 2-** COUPLE the machine to the tractor in a SLIGHTLY ELEVATED POSITION (wheels should not be in contact with the ground).



- 3-** Loosen the 2 knobs (1, fig. 43) that secure the venturi injector sluice.

Pull the venturi injector sluice into the machine.



- 4-** Place the provided sack (2,fig. 44) or a container under the exit of the venturi injector sluice.



- 5-** Next, place the crank (fig.45) in the right wheel of the seed drill.

Turn it clockwise as many times as indicated below depending of the type of machine.



TYPE OF MACHINE	WHEEL 340/55-16
400 / 32	26,5 Turns
450 / 35	23,5 Turns
500 / 40	21 Turns
600 / 48	17,6 Turns

- 6-** Accurately weigh the collected seeds.
- 7-** At a selected opening, you can obtain the kilograms per hectare distributed by the machine, by MULTIPLYING the weight by 40.



DO NOT TURN THE WHEEL WITH YOUR HANDS AS THE MUD SCRAPER CAN CAUSE INJURIES.



You must turn the wheel uniformly using the crank at approximately ONE REVOLUTION PER SECOND.



The number of wheel turns to be performed depends on the land's characteristics, tyre manufacturer and tyre pressure. Therefore it is highly recommended to perform a field test as described in section 6.4 - Test to determine the number of wheel turns.



If seeds show excess treatment powder, flow can be reduced, consequently a second control is recommended after sowing approximately three hoppers.

6.4 COMPLEMENTARY CHECKING TESTS

6.4.1- Test to determine the number of wheel turns.



If differences exist between the test and the actual dose distribution (due to a very uneven or light soil, low pressurised tyres, etc.), an experimental test can be performed.

- 1- First of all, the distance (in metres) as shown in the table below should be marked on the field's ground using a tape measure.

<i>WORKING WIDTH / ROWS</i>	<i>METRES TO COVER</i>
<i>400 / 32</i>	<i>62,5 metres</i>
<i>450 / 35</i>	<i>55,6 metres</i>
<i>500 / 40</i>	<i>50,0 metres</i>
<i>600 / 48</i>	<i>41,7 metres</i>



- 2-** By means of a mark made previously on the tyre, count the number of turns performed in the covered distance.

A good place whereby which to count could be the wheel's mud scraper.



Fig. 48

- 3-** Next, the seed drill in working position should cover that distance.



Fig. 49

By following these steps we can obtain the actual number of turns performed in the seed dosing test.

By performing the test using this obtained number of turns, we know the actual kilograms per hectare that will be distributed by the machine.

6.4.2- Seed dosing adjustments.

When using high quality certified seeds it is not enough to know the weight in kilograms distributed by the machine, as the final result of the harvest will depend on the number of plants which eventually ripen.

Every plant requires a certain amount of land from which nutrients will be absorbed. Therefore, both a low or an excessive plant density can be detrimental. To determine how many kilograms per hectare are to be sown, you should know the number of plants per square metre that are going to be planted.

As a guidance, the recommended number of plants per square metre when sowing wheat or barley in un-irrigated land can be found in following table:

AUTUMN	SPRING
<i>Premature sowing, 200 plants per m²</i>	<i>Premature sowing, 310 plants per m²</i>
<i>Late sowing: 265 plants per m²</i>	<i>Late sowing: 445 plants per m²</i>

Please note that in spring there is less tillering so more seeds should be sown.



MAQUINARIA AGRÍCOLA SOLA, S.L., RECOMMENDS THAT THE FARMER SEEKS PROFESSIONAL ADVICE ABOUT THIS SUBJECT FROM A TECHNICAL SOWING CENTRE.

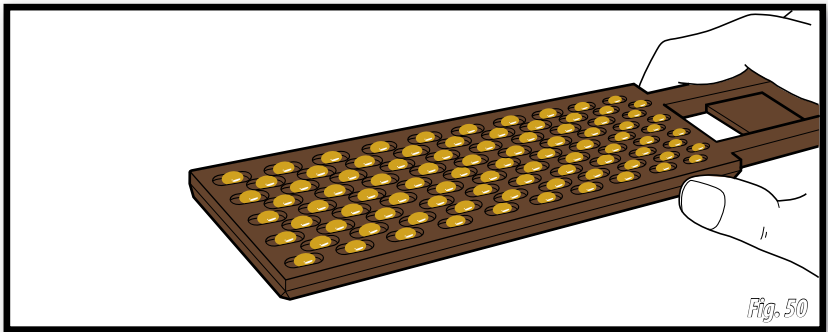


SEED DOSING SHOULD BE ADJUSTED TO EACH TERRAIN, DEPENDING ON THE: TEXTURE, FERTILIZING LEVEL, PLUVIOMETER RESULTS AND SOWING SEASON, GRAIN QUALITY, GERMINATING AND TILLERING POWER, ETC.

It should be taken into account that a seed's germinating power is variable and dependant on multiple factors. It can be experimentally calculated to be between 70% and 80%, which is practically equivalent to multiplying the number of grains to be sown by 1,43 or 1,25 respectively.

Next, we describe a practical method to determine the number of kilos per hectare to be distributed once we know how many plants per square metre we want to obtain.

- 1- Insert the “seed counter” (fig. 50) into the seed sack to fill it.
- 2- When taking the “seed counter” out, wipe the seed counter with your hand to make sure that there is only one grain per slot (100 grains in total).



- 3- Do the same 10 more times to obtain 1000 grains.
- 4- Weigh these 1000 grains with the precision scales.

We call the result the OPERATIVE WEIGHT (gr.).

Once we know how many seeds per square metre we are going to sow, we should adjust the following kilograms per hectare in the dosing control:

$$\text{kilograms per hectare} = (\text{grains per m}^2 \times \text{OPERATIVE WEIGHT}) / 100$$

7. ADJUSTING SEED PLANTING DEPTH



Seed drill should always work horizontally, with both the rear and frontal tine coulters equally penetrating the land.



MUY IMPORTANTE: The tractor's controller that moves the folding parts' cylinder must be in FLOTATION mode, to better adapt to the ground.

7.1 ADJUSTING RATCHETS AND SPINDLES

There are two ratchets (fig. 51) in the machine's central body and two spindles in the side wheels (fig. 52). All of them have an adjusting scale to indicate their position.



Their adjustment positions in the respective scales should be the same.

After adjustments, the control lever of the ratchet should be pulled back towards the inner part of the machine.



When sowing on tilled or non-compact ground, take the precaution of selecting one or two points lower in the adjusting scale on the side wheels in order to avoid sinking into the ground.

To adjust the side wheels, use the crank provided.

Steps to follow for the regulation of equipment:

- 1- To adjust the side wheels, use the crank provided.
- 2- Unlock using the securing knob (2, fig 53).
- 3- Turn the crank right or left as required (1, fig 53).
- 4- Use the scale (3, fig. 54) to reach the suitable height.

Once the suitable height has been reached, secure it using the handle.



Fig. 53

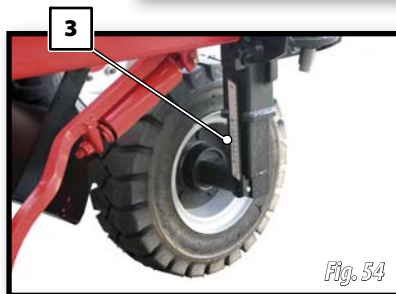


Fig. 54



Fig. 55

7.2 INCLINATION OF THE FOLDING PARTS

At the connection point between the folding parts and the central chassis, there are adjustable stops (two each side) which allow the inclination angle of the folding parts to change.



Fig. 56

- 1- Loosen the 2 securing nuts.
- 2- Remove the 2 screws.
- 3- Place the stop in the desired position.
- 4- Insert the 2 screws and tighten them using the 2 securing nuts.



During normal sowing conditions, the folding parts should be slightly lower than usual to adapt to terrain irregularities. In very tilled or loose land, as well as in soils with high humidity, the folding parts should be levelled to stay horizontal.

7.3 LEVELLER

The work of the leveller is essential to obtain a uniform seed planting depth.

The leveller can be adjusted by operating the spindles (1, fig. 57), which modify height and pressure of leveller's three sections.

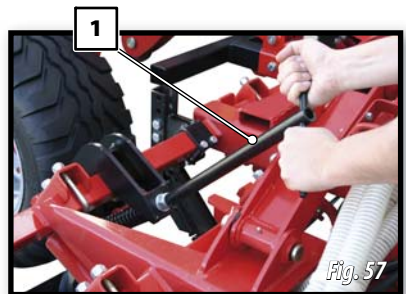


Fig. 57



Earth dragged by the leveller should not protrude over the plate.

To erase the seed drill's tracks, the height of the track erasers needs to be adjusted.



WHEN USING PNEUMATIC MACHINES, THE AIR PRESSURE ALONG WITH ABSENCE OF STOPS IN THE TINE COULTERS' SOWING SHOES WILL CAUSE A GREATER PLANTING DEPTH THAN ACHIEVED USING CONVENTIONAL MACHINES. AFTER SOME MINUTES WORKING, CHECK THAT THE PLANTING DEPTH IS ADEQUATE.



7.4 EQUIPMENTS WITH TINE COULTERS

Fixed tine coulters:

These tine coulters have a non-adjustable depth, but their pressure can be adjusted by using a nut placed in the lower part of the spring (1, fig. 60). Sowing depth will be determined by the adjustable central ratchets (see section 7.1).

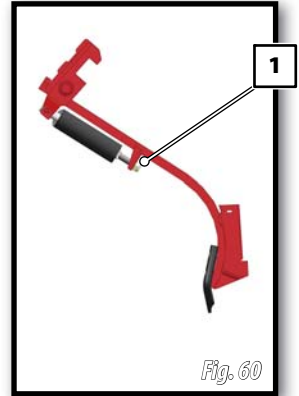


Fig. 60

Adjustable tine coulters:

These tine coulters are aligned with both the tractor's and the seed drill's wheels. They have 4 adjustable levels of depth (fig. 61) which allow the tine coulters to be lowered up to 4 cm:

- 1- Remove the safety pin.
- 2- Remove the bolt .
- 3- Place the tine coulter in the right position.
- 4- Place the bolt in the new position.
- 5- Replace the safety pin in the new position.

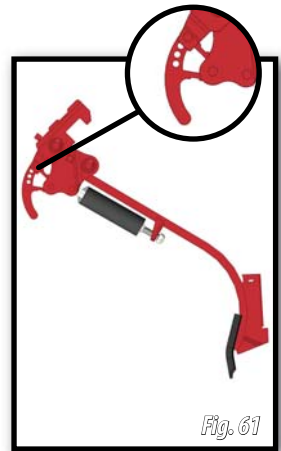


Fig. 61

7.5 EQUIPMENTS WITH DISC COULTERS

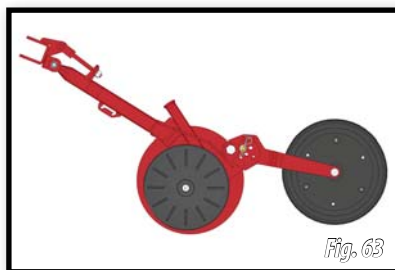
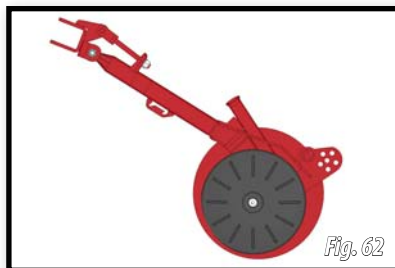
Disc coulters:

The pressure exerted onto the ground is adjustable by means of some spindles which raise or lower both the tine coulters placed in the folding parts and the ones placed in the central body independently.

Turn the spindle clockwise to increase the sowing depth.

Turn the spindle anticlockwise to decrease the sowing depth.

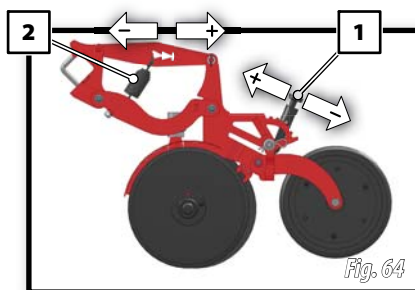
There is an optional equipment which consists of a wheel to adjust the sowing depth.



Double disc coulters:

They have adjustable sowing depth and pressure. The wheel to control the sowing depth is adjusted by means of a cam (1, fig. 64), which provides 6 different positions:

- 1- Raise the cam (1, fig. 64).
- 2- Once raised, move it to the desired position and release it (1, fig. 64).



Pressure is adjusted using a spring (2, fig. 64) which provides 3 different positions.

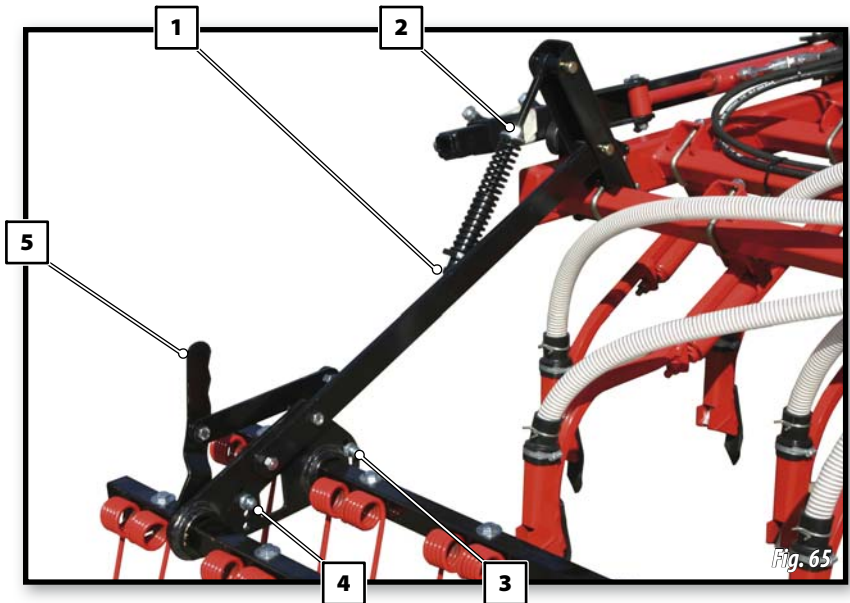
7.6 HARROW

Some adjustments can be performed on the harrow so that it can adapt to all types of ground:

HEIGHT ADJUSTMENT, by operating the lower nut (1, fig. 65).

PRESSURE ADJUSTMENT, by using the spindle's upper nut (2, fig. 65).

INCLINATION OF THE TINES, by operating the slide (4, fig. 65) which holds the tines' chassis.



To adjust harrow's inclination, follow these steps:

- 1- Loosen the nut (3, fig. 65).
- 2- Take out both the screw and the nut (4, fig. 65).
- 3- Pull back the bar (5, fig. 65) and place both the screw and the nut in the hole that is in the middle of the bar (4, fig. 65).

7.7 HYDRAULIC TRACK MARKERS

Track discs can be orientated to achieve the correct penetration angle and their supporters are extensible in order to be correctly adjusted.

LENGTH (horizontal spacing between disk and external element).

ORIENTATION (penetration angle).



HIGH PRESSURE OIL MAY ESCAPE, PASS THROUGH THE SKIN AND INGRESS INTO THE BODY, CAUSING SERIOUS INJURIES. KEEP HYDRAULIC HOSE LINES IN GOOD CONDITION.



NEVER STAND UNDER THE TRACK DISCS OR WITHIN THEIR OPERATIONAL AREA.



It is essential to fold the track markers before folding the machine for transit.

7.7.1- Adjusting track marker's LENGTH.

To calculate the horizontal spacing between track discs and the last lateral tine coulters, use following formula:

$$B = \frac{A \times (\text{number of tine coulters} + 1) - C}{2}$$

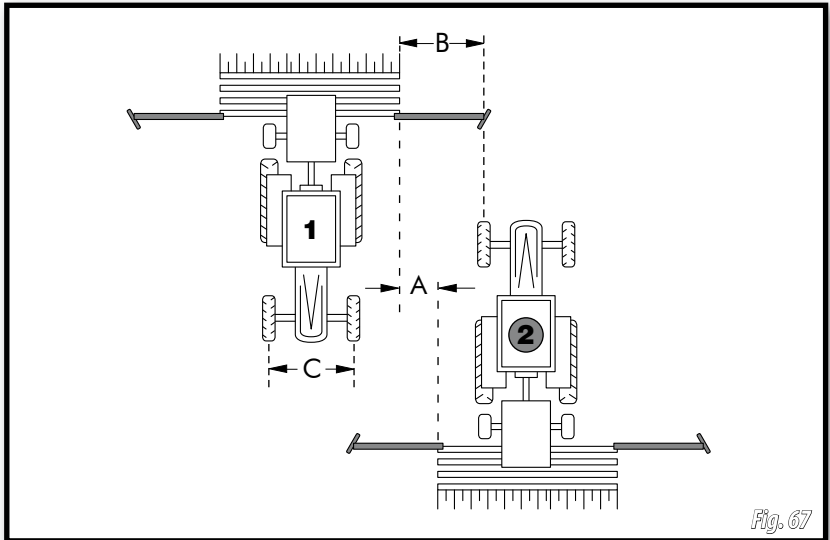
A= distance between tine coulters

B= horizontal distance between track disc and the the last lateral tine coulters.

C= track width of the tractor.



Perform the calculation using measurements in CENTIMETRES.



To adjust the distance of the track disc, proceed as following:

- 1- Loosen the 2 nuts (1, fig. 68)
- 2- Place track disc at the distance B previously calculated.



B= distance between the track disc and the last lateral tine couler.

- 3- Tight the 2 nuts (1, fig. 68) after finishing these operations.

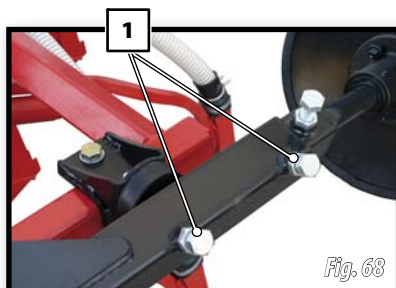


Fig. 68

7.7.2- Adjusting track marker's INCLINATION.

To adjust the orientation of the track discs, proceed as following:

- 1- Loosen the nut (1, fig. 69)
- 2- Adjust track disc's inclination so the disc has the desirable impact on the ground.
- 3- Tight the nut (1, fig. 69) after finishing these operations.

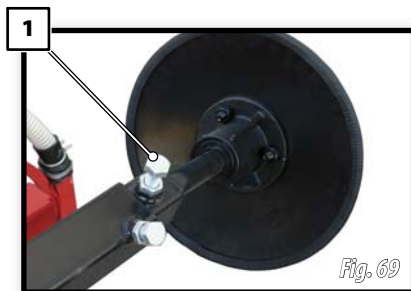


Fig. 69



It is not recommended to incline the track discs too much thus preventing serious damage to the machine.

8. TYPES OF DISTRIBUTION

8.1 SEED DISTRIBUTION BY MECHANICAL FAN



To ensure that seeds are supplied to the tine coulters' sowing shoes, it is essential that the fan speed is between 4200 and 4500 rpm. For this purpose, the PTO shaft must be plugged into the 1000 rpm vent.



If the turning speed is lower than some seeds are likely to remain in the seed hoses.



Before the wheel controlling the distributor's transmission starts turning, please ensure that the fan's turning speed is between 4200 and 4500. When raising the machine, never decrease the fan's turning speed until the wheel is detached from the ground.



Please note that if you work with the machine while the fan is off, seeds will block the collecting pipe of the venturi injector sluice. In case this happens, the collector should be taken out and emptied before using the seed drill again.



IF THE FAN'S TURNING SPEED IS ABOVE OR BELOW 4200 AND 4500 RPM, THEN TURNING THE WHEEL THAT CONTROLS THE DISTRIBUTOR'S TRANSMISSION CAN CAUSE A BLOCKAGE INSIDE THE SEED HOSES.

8.2 SEED DISTRIBUTION BY HYDRAULIC FAN

MACHINE TYPE	HYDRAULIC MOTOR		OIL SUPPLY		
	absorbing capacity (cm ³)	Speed (rpm)	Minimum output pressure (bars)	Maximum return pressure (bars)	Oil flow (L/min)
400 / 450	8	4200	130	10	36
500 / 600	8	4500	160	10	40

CONNECTIONS

Connect the fan's small hydraulic hose line to a pressurised tractor control unit.

The fan's 1/2" hydraulic hose line should be connected to a de-pressurised return tractor control unit.



IN THE RETURN LINE THE PRESSURE MUST BE A MAXIMUM OF 15 BAR. A HIGHER PRESSURE CAN CAUSE DAMAGE TO THE TRACTOR'S MOTOR.

ADJUSTMENT

The fan's rpm is adjusted by regulating the tractor control unit.

The fan's turning speed must be adjusted to 4200 rpm or to 4500 rpm as shown in table above.



IF OIL IS OVERHEATED DUE TO AN EXCESSIVE FLOW OR DUE TO LOW OIL SUPPLY, THEN AN ADDITIONAL OIL TANK WILL BE REQUIRED.



IF THE FLOW OF THE TRACTOR'S HYDRAULIC PUMP IS NOT HIGH ENOUGH IT WILL NOT BE ABLE TO POWER THE FAN'S MOTOR OR ACTIVATE THE OTHER ELEMENTS REQUIRED. IN THIS CASE AUXILIARY EQUIPMENT CONSISTING OF A HYDRAULIC PUMP FITTED ON THE TRACTOR'S UNIVERSAL JOINT SHAFT THAT DRIVES THE FAN'S HYDRAULIC MOTOR AS WELL AS A REFRIGERATED OIL TANK WILL BE REQUIRED.

9.OPTIONAL EQUIPMENT

Front cultivator.



Integrated cultivator.



Triple smooth or tines leveller.



Fig. 74

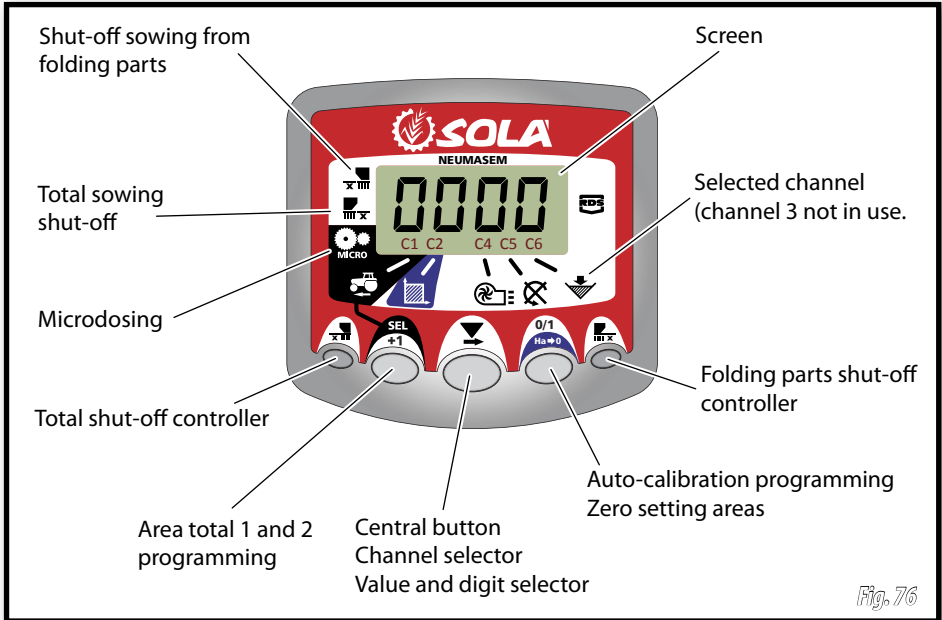
Hoppers and dosing system kit for microfertilizer.



Fig. 75

10. ELECTRONICAL CONTROLLER

10.1 FRONT PANEL DESCRIPTION.



The monitor provided comes programmed especially for your model of seed drill. The user will only need to observe the displayed values and no extra programming is required.

The monitor shows 6 different channels or readings, as well as 3 different arrows showing the states.

C1 shows forward speed in m/sec.

C2 shows two different hectares (for example on partial and one total hectare).

C3 not in use.

C4 shows the fan's rpm.

C5 shows the turning speed of the distributor's axle's in rpm.

C6 shows if the hopper's seed level is too low.

By default the forward movement speed is displayed on the monitor. When some abnormal readings are shown, the screen will display “**Alarm**” intermittently, the alarm will sound and the corresponding malfunction channel will be activated. The alarm will not stop until the malfunction is fixed.

To display a desired reading, press the central button and scroll to the required channel. After 10 seconds, the reading will change back to C1 again.

10.2 FORWARD SPEED – C1



Select a channel by using the central button. The alarm is activated when the speed is under 2.6 km/h and can be turned off using programming mode 2.

Calibrating the speed sensor

Theoretical calibration is achieved by entering a calibration factor in programming mode 2, as indicated in the following table.

MODEL	4M	4.5M	5M	6M
CALIBRATION FACTOR	1,818	1,574	1,449	1,258

Selecting speed channel (C1)

1. Press  to switch to mode 1. While holding the button, press the central button  to modify the digit.
2. Hold the central button for some seconds to modify the flickering digit.
3. When the buttons are released, the monitor will return to its normal state.


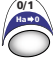
PLEASE NOTE

THE IMPULSE NUMBER AUTO-CALIBRATION MODE IS MORE ACCURATE AND A FIELD TEST PERFORMANCE IS REQUIRED.


Auto-calibrating the speed sensor

1. Mark 100 metres.

2. Select channel 1 (speed)

3. Press  and hold it while pressing . The screen will display "Auto". Release it.

4. Cover the 100 marked metres. The monitor will count the sensor's impulses.


5. After finishing, press  again. By doing this, the monitor retains the impulse number in the memory.

10.3 TOTAL AREA / SEED DRILL WIDTH – C2

Two independent total areas can be marked.

Displaying the total area

1. Select channel 2.

2. Press  to display total areas 1 and 2 on the screen. First, "tot. 1" will be displayed and immediately afterwards the value in Ha will be shown.

Setting to zero the total areas


1. Select channel 2.

2. Press  to display.

3. Press and hold  for more than 5 seconds.

Programming the working width


1. Select channel 2 of the area.


2. Press and hold  for more than 5 seconds until the width value is displayed and, without releasing it, press the central button to modify the flickering digit.

3. Press and hold the flickering digit for more than 5 seconds to modify its value.

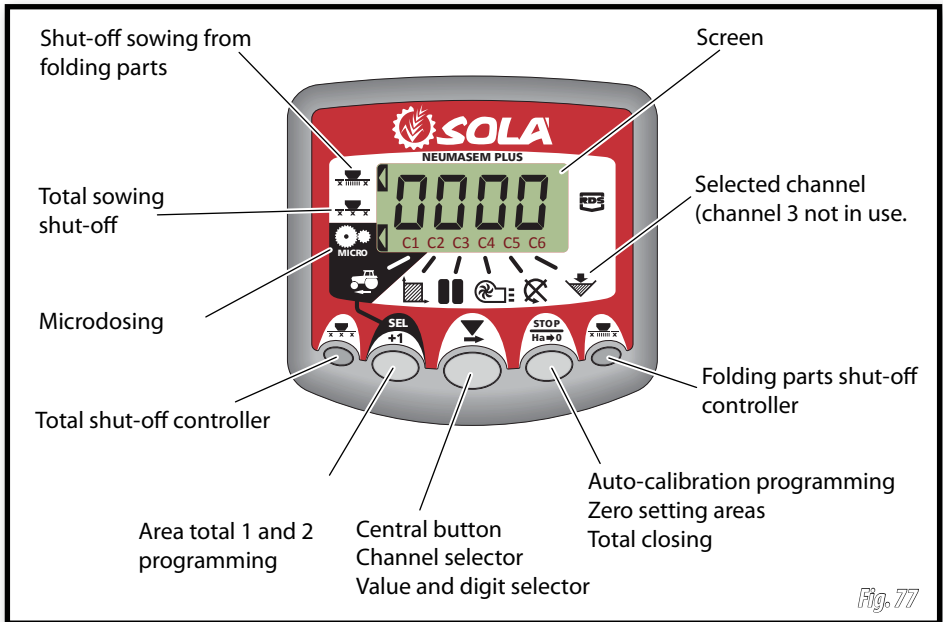
4. Release all buttons to return to the normal state.

Working in micro mode

When working with the distributor in the micro-dosing mode (for small hoppers and minimal doses), press and hold  button for more than 3 seconds until the arrow indicating the micro mode is displayed. In this situation, the monitor will keep the speed and actual real working area.

Press and hold  for more than 5 seconds until the indicating arrow disappears to resume normal position.

10.4 PANEL DE CONTROL CON MARCADOR DE CAMINOS.



The monitor provided comes programmed especially for your model of seed drill. The user will only need to observe the displayed values and no extra programming is required.

The monitor shows 6 different channels or readings, as well as 3 different arrows showing the states.

C1 shows forward speed in m/sec.

C2 shows two different hectares (for example on partial and one total hectare).


C3 tramlining.

C4 shows the fan's rpm.

C5 shows the turning speed of the distributor's axle's in rpm.

C6 shows if the hopper's seed level is too low.

10.5 TRAMLINING - C3

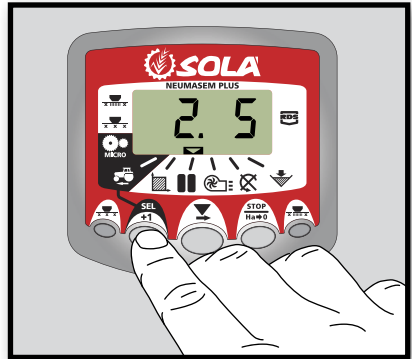
The displays defaults to the  channels after 10 seconds (unless the Area Total was selected).

There are five systems of tramlining - symmetric, asymmetric left, asymmetric right, 10 bout and 18 bout. The tramline bout is programmable from 1 to 15 in symmetric, asymmetric left and asymmetric right sequences.


Selection of asymmetric tramlining is denoted by a decimal point on the display between the current bout number on the left and the tramline bout number on the right. Left or right asymmetric tramlining is selected in the programming mode.

Manually advance the bout number


Press  to advance the current bout number by 1.

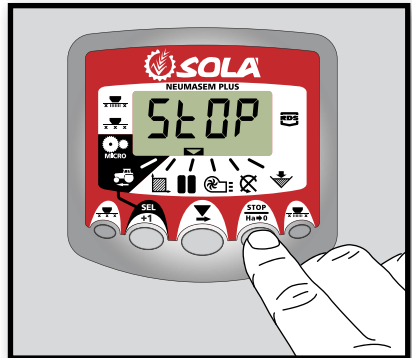


Hold the bout number

Press  to "hold" the current bout when the drill goes out of work.

The display will flash 'STOP'.

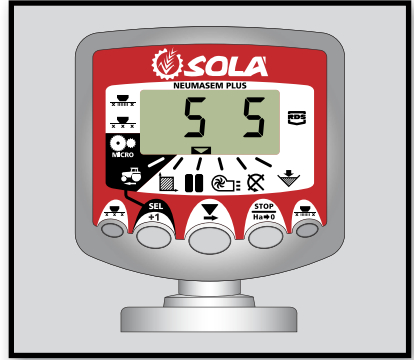
Press  again to resume the normal bout sequence.



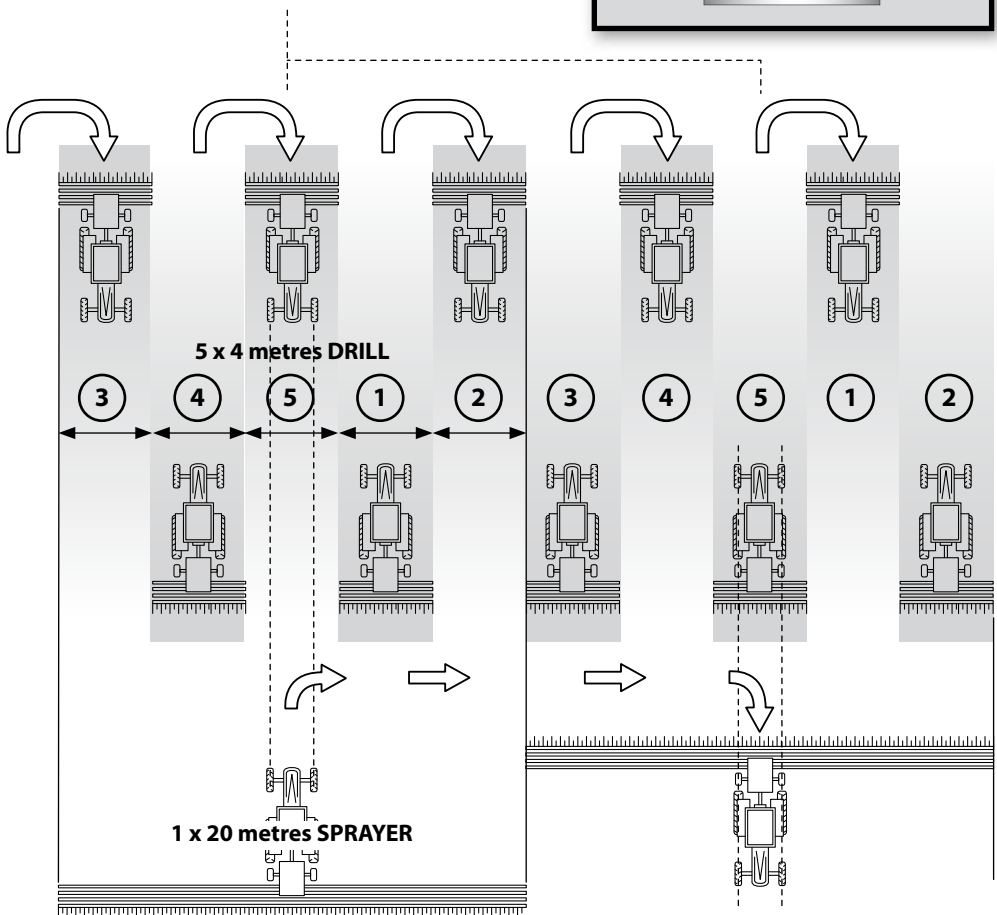
Symmetric Tramlining Sequence

2+2 seed spouts are closed during the tramline bout only.

The instrument will beep once the beginning of the tramline bout, and the display will continue flashing for the duration of the bout.

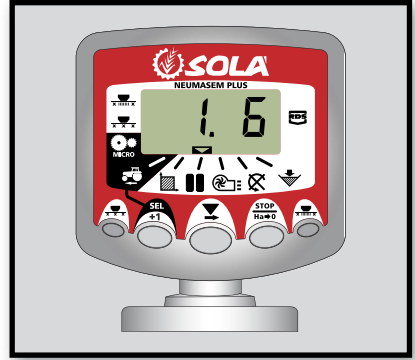
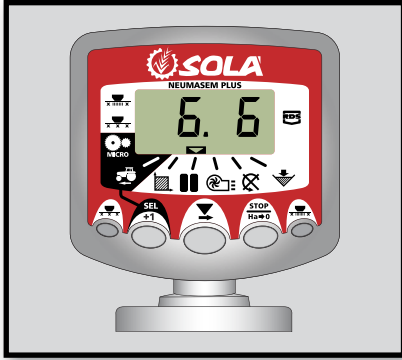


Tramline bouts

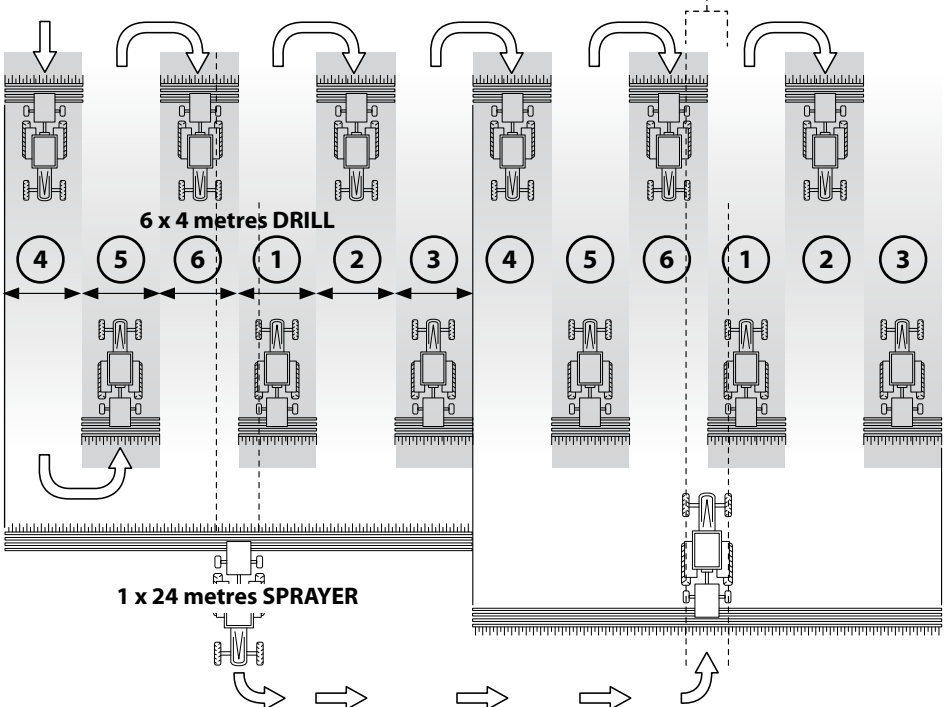


Asymmetric Left Tramlining Sequence

Two seed spouts are closed on the left hand side of the drill on the tramline bouts. The instrument will beep once the beginning of each tramline bout, and the display will continue flashing for the duration of the bout.

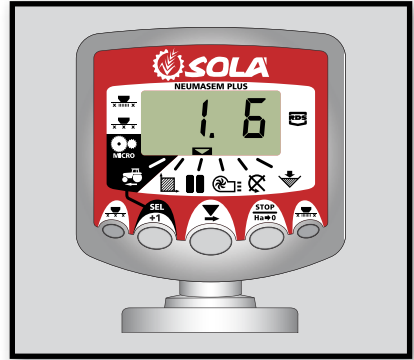
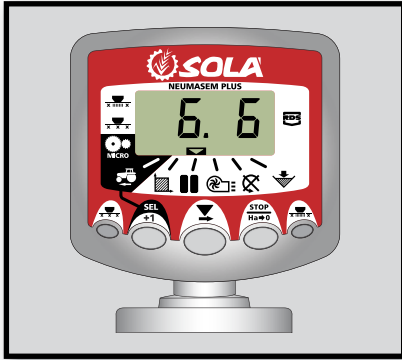


Tramline bouts

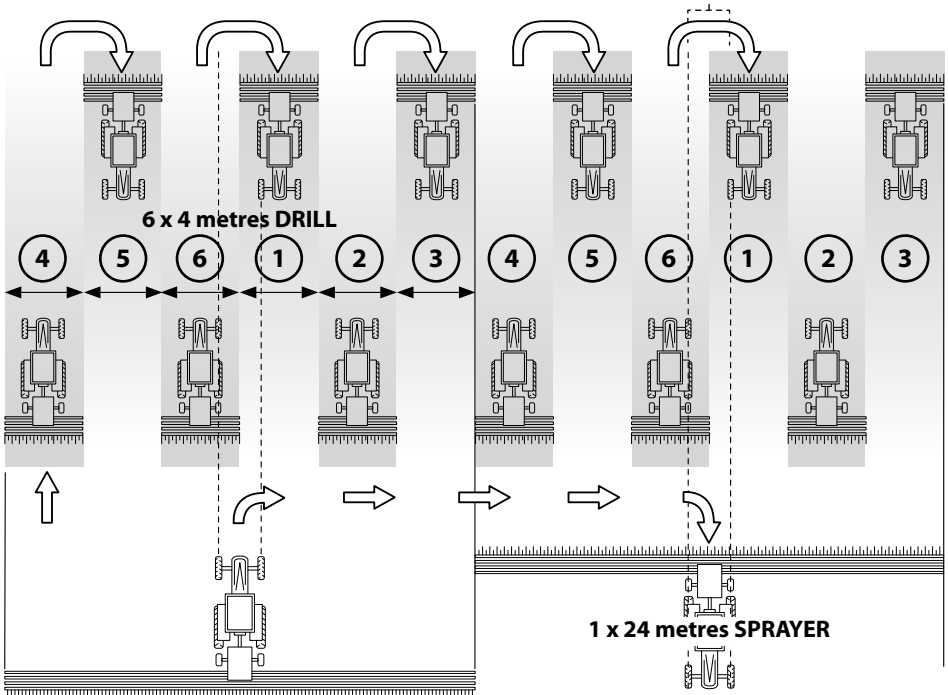


Asymmetric Right Tramlining Sequence

Two seed spouts are closed on the right hand side of the drill on the tramline bouts. The instrument will beep once the beginning of each tramline bout, and the display will continue flashing for the duration of the bout.



Tramline bouts



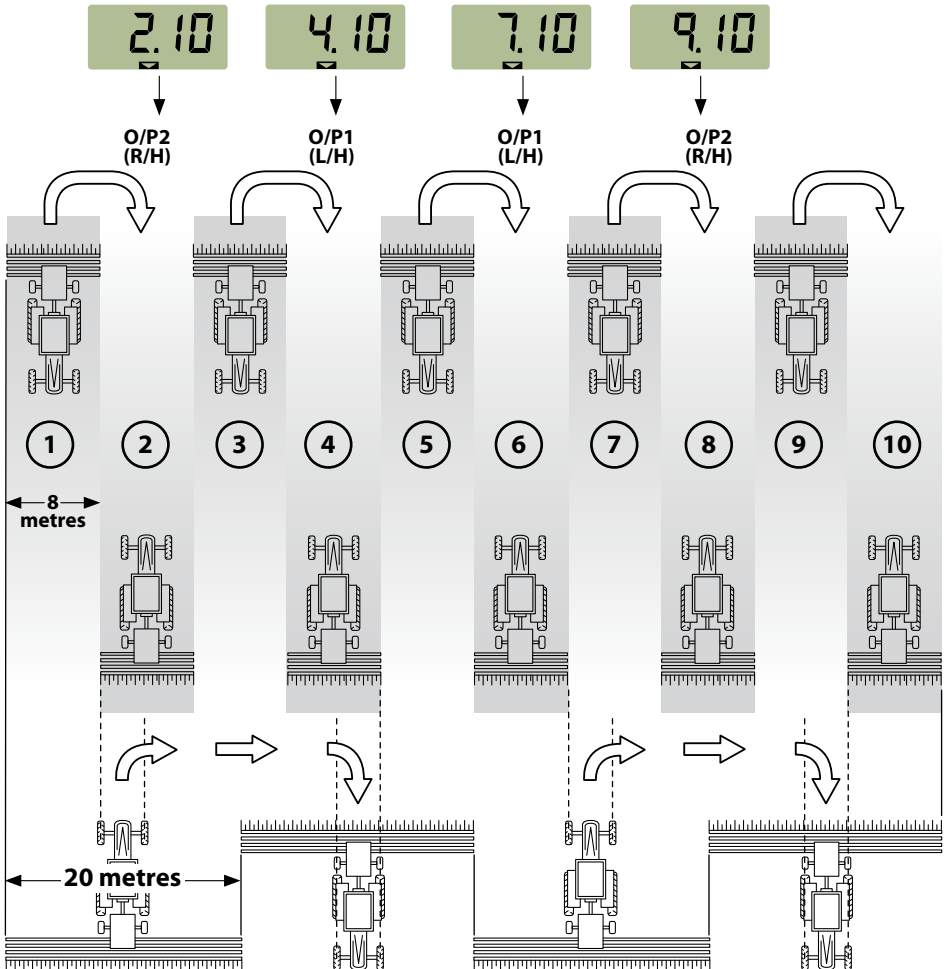
10 Bout Tramlining Sequence

For use with 4 metre drill/10 metre sprayer, or 8 metre drill/20 metre sprayer combinations. (2 x 2 left hand seed spouts are closed on bouts 4 and 7, and 2 x 2 right hand seed spouts closed on bouts 2 and 9). Starting on bout 1 requires turning RIGHT at the end of the first bout.



NOTE

TO TURN LEFT AT THE END OF THE FIRST BOUT, ADVANCE THE BOUT NUMBER TO 6 BEFORE COMMENCING DRILLING.



18 Bout Tramlining Sequence

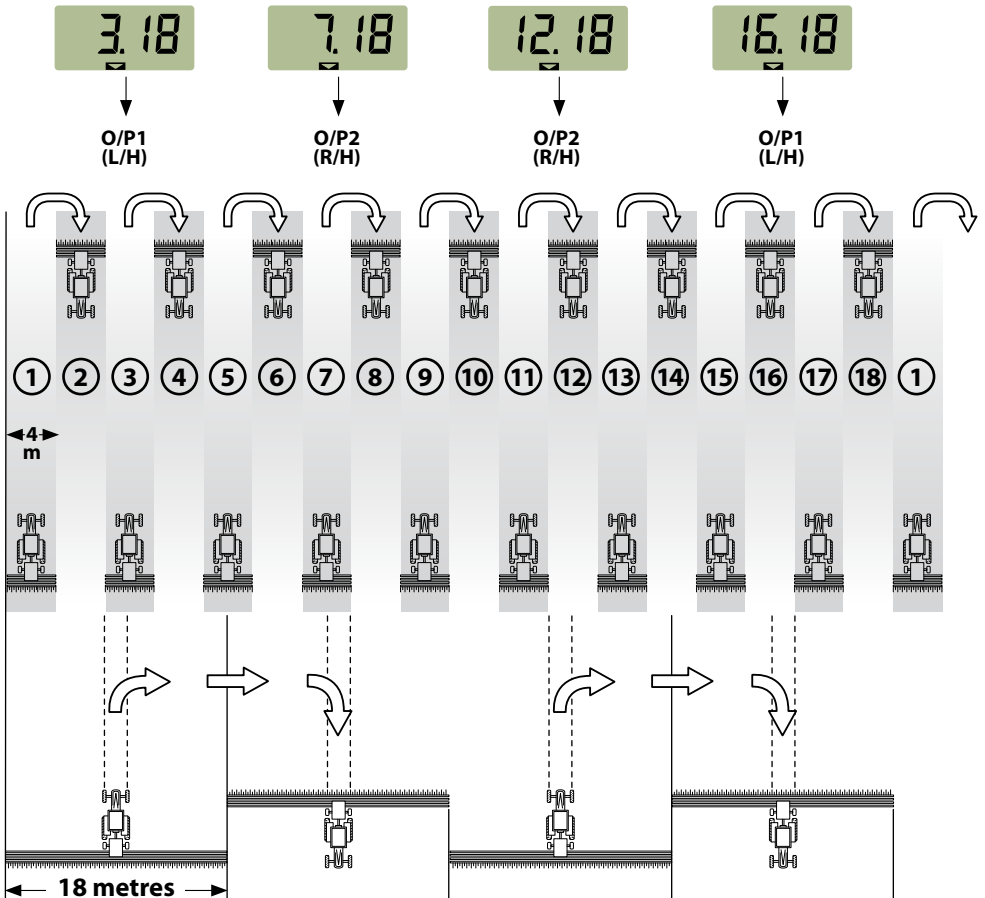
For use with 4 metre drill and an 18 metre sprayer. (2 x 2 left hand seed spouts are closed on bouts 3 and 16, and 2 x 2 right hand seed spouts closed on bouts 7 and 12). Starting on bout 1 requires turning RIGHT at the end of the first bout.





NOTE

TO TURN LEFT AT THE END OF THE FIRST BOUT, ADVANCE THE BOUT NUMBER TO 10 BEFORE COMMENCING DRILLING.

The instrument will beep once the beginning of each tramline bout and the display will flash for the duration of the tramline bout.



Selecting the Tramline Sequence



1. Select the  channel.
2. Hold  to enter programme mode 1.
After 5 seconds the first two digits flash, indicating the tramline sequence currently set:

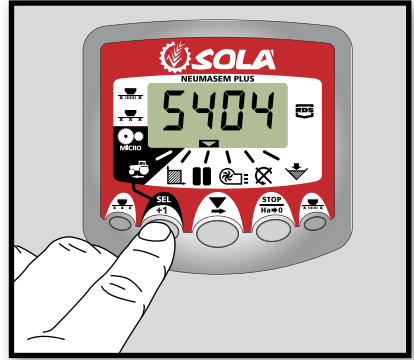
'SY' = Symmetric

'AL' = Asymmetric Left



'Ar' = Asymmetric Right

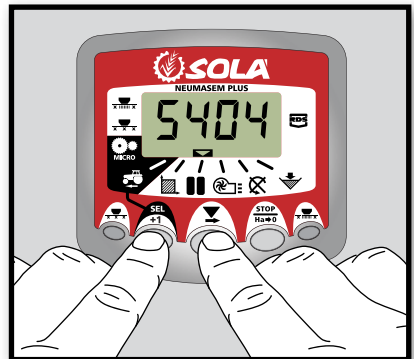
'AS' = Special Asymmetric sequence e.g. 10 bout and 18 bout.

3. Continue holding the  button and press and HOLD the  button to select the required sequence.




Setting the Tramline Bout

1. PRESS and RELEASE the  button to toggle between the tramline sequence and tramline bout number display.
The 3rd and 4th digits flash indicating the tramline bout number currently set.
2. PRESS and RELEASE the  button to cycle the tramline bout from 1 to 15.



10.6 FAN RPM / FAN ALARMS – C4

To display the fan's speed in rpm

Select channel 4 using the central button .


Fan alarms

The fan's minimum turning speed can be programmed.
Under 2 Km/h these alarms will deactivate.

Fan's minimum speed

1. Select channel 4.

2. Press and hold  button for more than 5 seconds.



3. Hold it and press the  to change value and digits as explained in former cases. Default speed is 3800 rpm.


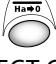
4. Release all buttons to resume the normal position.


Selecting the fan's number of impulses per revolution (default value is set to 2).

PLEASE NOTE

FAN'S NUMBER OF IMPULSES PER REVOLUTION SHOULD ALWAYS BE 2.
ONLY USE THIS PROGRAMMING MODE IN CASE OF MALFUNCTION.


1. TO SELECT PROGRAMMING MODE 2, PRESS  (MONITOR NEUMASEM) OR  (MONITOR NEUMASEM PLUS) BUTTON WHILE SWITCHING ON THE SCREEN USING REAR SWITCH.

2. PRESS  (MONITOR NEUMASEM) OR  (MONITOR NEUMASEM PLUS) TO CHANGE THE CHANNEL AND SELECT CHANNEL 4 (FAN).

3. PRESS AND HOLD THE  TO MODIFY THE FLICKERING DIGIT (IT SHOULD ALWAYS BE 2).


4. RELEASE THE BUTTON TO CHANGE BACK TO NORMAL POSITION.

10.7 SEED SHAFT RPM – C5

Select channel 5 using the central button .

40 seconds after the seed shaft stops turning, an alarm beeps 5 times consecutively. If it remains still, this alarm will repeat every 30 seconds.



To turn off the beeping, switch off the screen and switch it on again. This alarm will deactivate under 2 Km/h.

The seed shaft's alarm can be deactivated by pressing the button  for more than 5 seconds on the selected channel. The screen will display "Off". In this situation the alarm will not be activated even if the screen is switched off and on again.

10.8 HOPPER LOW LEVEL ALARM – C6


When the seed level is below the sensor, an alarm is activated and beeps 5 times consecutively. In this case the screen will display «**ALA**».


Activate and deactivate hopper level alarm

1. Select channel 6 using the central button .
2. Press and hold  button and...
3. Press the central button to select "0" (alarm is off) or "1" (alarm is on).
4. Release the buttons to change back to the normal position.


OPTIONAL:

Total sowing shut-off.

Press the left hand  to lock the seed's exit even when the wheels of the seed drill are in motion. The screen will display the indicating arrow.

Press left  again to return to a normal working position.

Shut-off sowing from folding parts.

Press the right  to lock the exit part of the arms on the folding parts. The screen will display the indicating arrow.

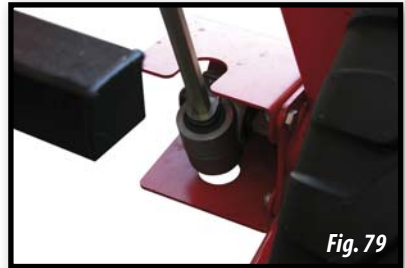
Press right  again to change back to normal position.

11. MAINTENANCE

11.1 LUBRICATION

The following parts should be lubricated with SOLID CALCIUM GREASE.

- All the joints of the cardan shaft should be greased, **daily**.
- The joints of the folding parts should be greased, **every 100 Ha.**
- Both the wheel's and transmission's bushings should be, **every 400 Ha.**



- Transmission chain should be greased, **once a year.**



After finishing a sowing season, all chains and joints should be cleaned and greased.



11.2 TYRES PRESSURE

Indicated pressures are provided by the manufacturer, at maximum load.

In general use and especially when working on irregularly tilled terrains, it is recommended to use a slightly lower pressure to absorb the ground's irregularities and get a higher regularity in sowing.

Tyres:

340/55-16 — 3,75 kg/cm²

Side wheels:

18x7"- 8" 14PR — 9 kg/cm²



11.3 SCREWS

All the screws used in the seed drill are size 8.8.



After working for some hours, all screws should be checked and tightened.

11.4 DISTRIBUTOR HEAD AND SEED HOSES

Before starting work, check that the distributor head and the seed hoses are not blocked.

To perform the check, follow these steps:

- 1- Make sure that the fan is on and the hopper is full. Use then the crank provided to turn the wheel controlling the distributor's transmission a few times.
- 2- Check that the seeds are coming out from every tine coulters.



If any abnormality shows up, do as follows:

- 1- STOP the machine so that the fan is off.
- 2- Take apart the cap of the distributor's head.
- 3- Check that there are no foreign bodies inside.
- 4- Remove foreign bodies in the case that they exist.

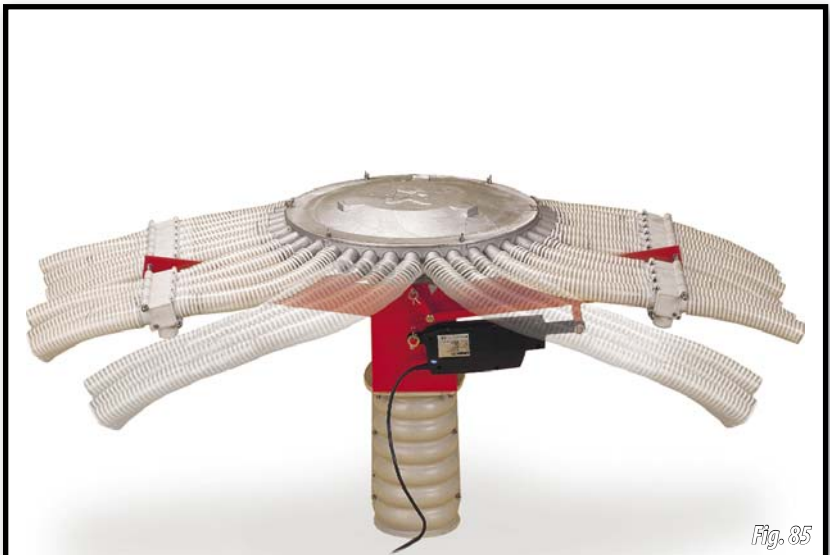


Fig. 85

12. DOSAGE TABLE



INDICATED QUANTITIES SHOWN IN THE FOLLOWING TABLE SHOULD BE CONSIDERED FOR GUIDANCE ONLY, FORESEEN FLOWS CAN VARY DEPENDING ON THE ACCIDENTAL PRESENCE OF DISINFECTING PRODUCTS, UNEVEN SEED SIZE, DENSITY, HUMIDITY, ETC.



FOR PRECISION SOWING, FOLLOW DOSING PROCESS DESCRIBED IN SECTION 6 OF THIS MANUAL.

TABLE IN NEXT PAGE 79 ----->

	Wheat	Rye	Barley	Oats	Beans	Peas	Lupin	Carob	Corn	Corn		Rape	Field Clover	Grass	Turnips				
Spec. weighth (kg/l)	0,77	0,74	0,68	0,5	0,85	0,81	0,76	0,83	0,79	0,36				0,65	0,77	0,39	0,7		
Adj. dosing scale value	Regular seeds kg/ha (Bolt in position N)																		
10	31	31	29,8	22	21	19,8	26	29,8	7,44	-		1,98	0,99	2,11	1,07	-	-	2,36	1,12
15	47,1	45,9	44,6	32	38,4	37,2	42,2	47,1	22,3	17,4		4,22	2,11	4,84	2,36	-	-	4,22	2,23
20	64,5	62	59,5	43	57	54,6	57	64,5	43,4	23,6		6,32	3,1	7,94	3,97	2,6	1,3	6,94	3,43
25	79,5	76,9	73,2	53	73,2	71,9	73,2	83,1	64,5	31		8,43	4,22	11,2	5,58	4,84	2,36	9,3	4,65
30	96,7	93	88	66	90,5	90,5	89,3	100	85,6	38,4		10,5	5,33	14,3	7,07	6,7	3,35	11,7	5,83
35	114	109	103	76	108	109	105	118	107	45,9		15							
40	130	124	118	87	125	126	120	135	128	-		17,5							
45	146	140	133	98	143	144	136	154	145	-		20							
50	161	156	148	109	160	161	153	171	162	-		22,5							
55	179	171	161	120	177	180	169	188	180	-		25							
60	195	186	177	131	195	198	184	206	197	-									
65	212	202	191	143	212	216	201	224	215	-									
70	229	218	206	154	229	233	217	242	232	-									
75	246	234	221	165	247	250	233	259	348	-									
80	262	250	234	176	263	268	249	277	265	-									
85	277	267	249	186	280	288	265	294	283	-									
90	294	280	264	197	298	305	280	312	300	-									
95	311	296	279	208	314	322	298	330	317	-									
100	327	312	294	219	331	340	312	347	335	-									
105	343	329	309	231	347	358	329	366	353	-									
110	360	345	324	242	366	376	345	383	370	-									
	Table for NS PLUS 2311 WITH FLOTATION WHEELS 340-50.16																		
	<p>N= regular speed F= microdosing</p> <p>PREVIOUS FLOW TEST</p> <p>Seed drill</p> <p>400 Turns</p> <p>450 Turns</p> <p>500 Turns</p> <p>600 Turns</p> <p>26,5 Turns</p> <p>23,5 Turns</p> <p>21 Turns</p> <p>17,6 Turns</p> <p>Number of turns performed to the small wheel to simulate the sowing of 250m². Flow in kg/ha is obtained by multiplying collected weight by 40.</p>																		

When the amounts to be sown are very small (dosing scale value <= 10), a more uniform sowing can be obtained using microdosing, even in the case of regular seeds (cereal and big seeds).

13. RECAMBIOS

Las denominaciones **DERECHA, IZQUIERDA, DELANTE y DETRÁS** se refieren a las máquinas en SENTIDO DE MARCHA.

En los dibujos, por lo general, no se repiten las piezas de diferente mano. Leer en el despiece las referencias que las distinguen.



El modelo y tipo de máquina, se puede ver en la **PLACA DE IDENTIFICACIÓN** que se halla en la parte delantera del chasis.

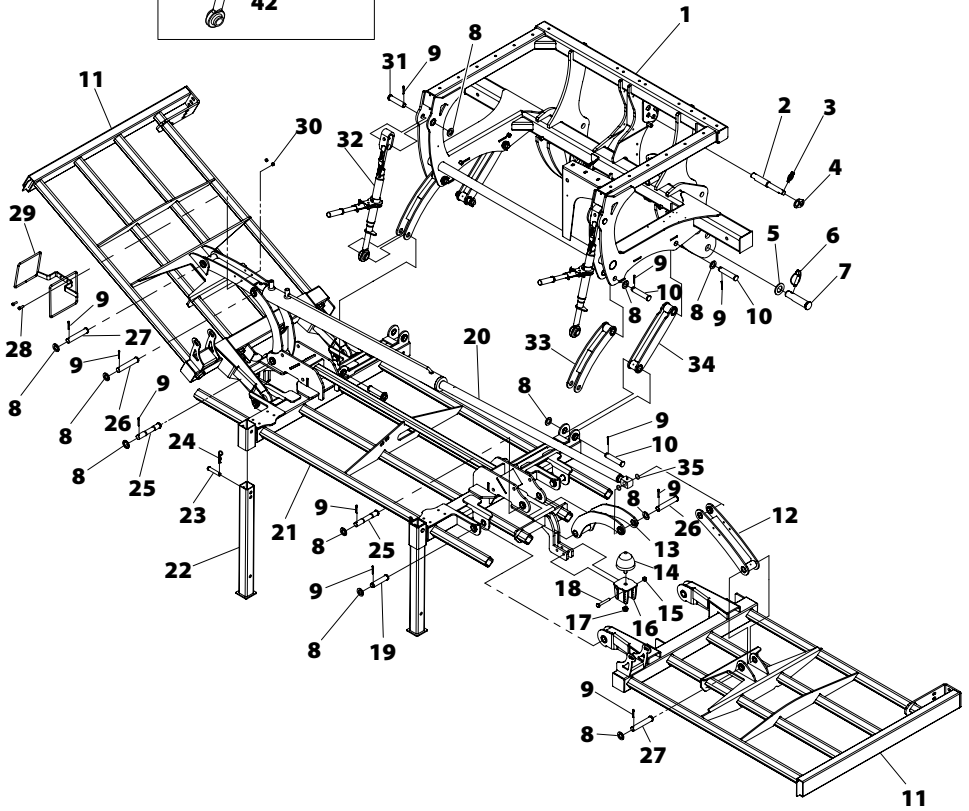
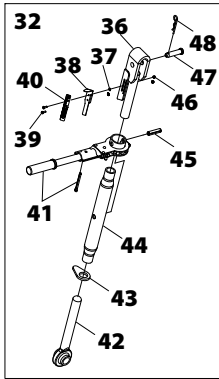


RECUERDE QUE PUEDE SUFRIR HERIDAS CON LOS BORDES AFILADOS DE ALGUNOS COMPONENTES AL CAMBIAR EL EQUIPAMIENTO DE LA SEMBRADORA.

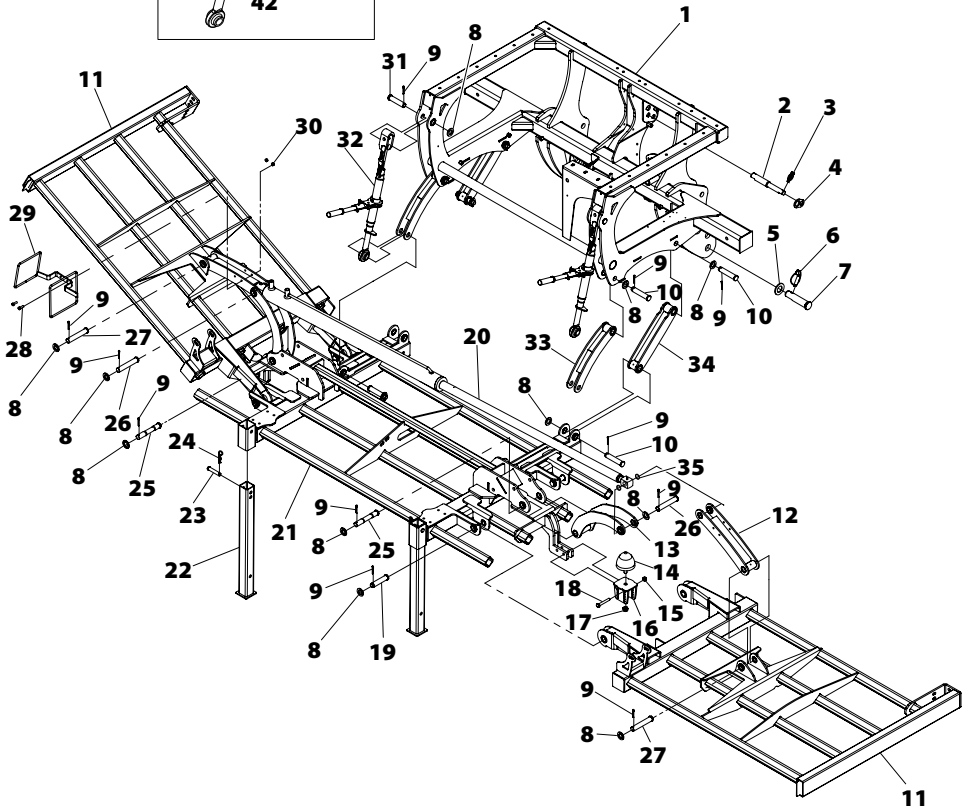
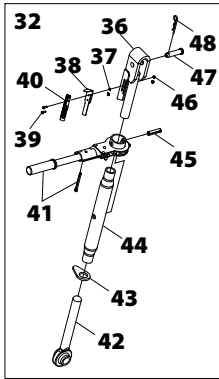


COMO NORMA GENERAL, EVITE TRABAJAR DEBAJO DE LA MÁQUINA SUSPENDIDA DEL TRACTOR. SI DEBE HACERLO, ASEGÚRELA CORRECTAMENTE PARA EVITAR SU DESPLOME POR PÉRDIDA DE PRESIÓN EN EL TRACTOR.

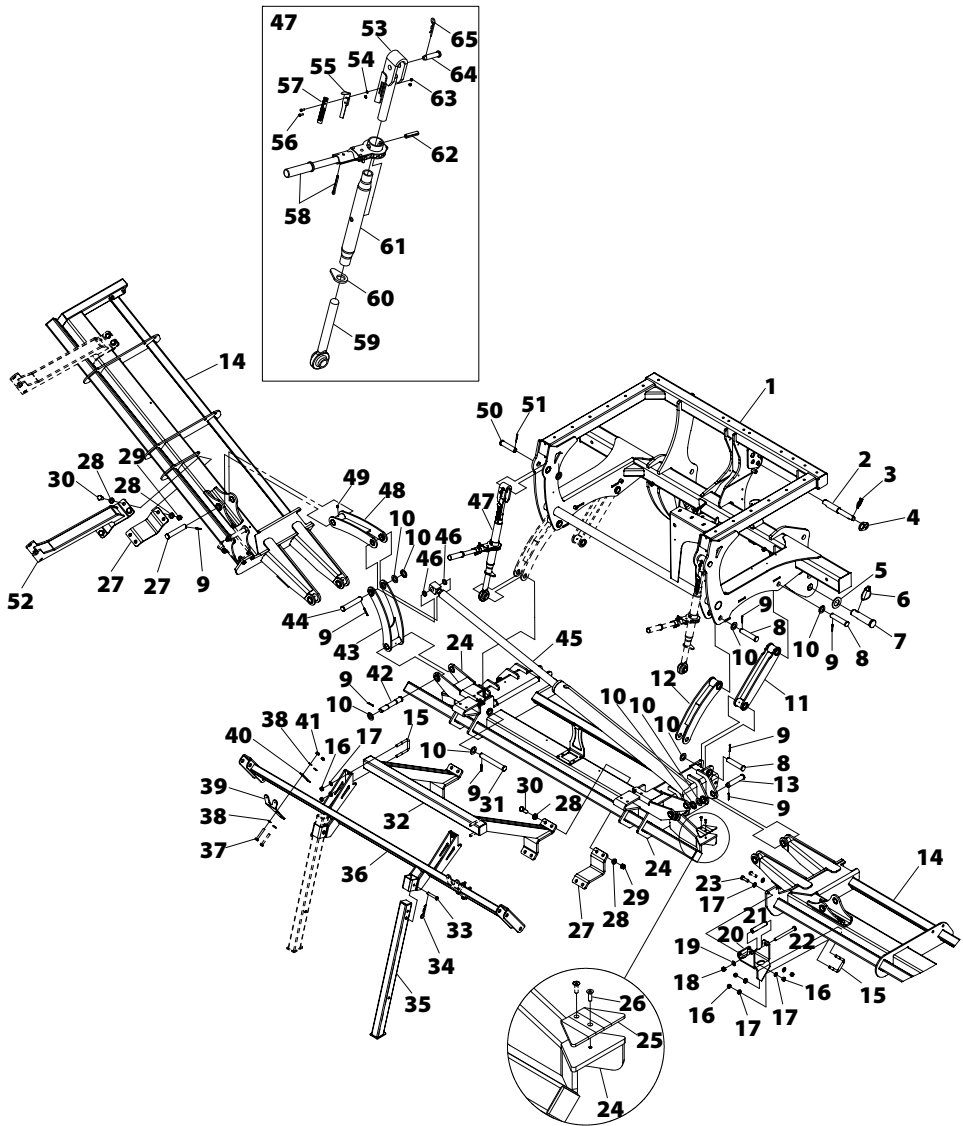
Nº	REFERENCIA	DENOMINACIÓN
1	PS-011315	CHASIS NS-PLUS-2311
1	PS-011316	CHASIS NS-PLUS-2311 PARA CULTIVADOR
2	BU-012801	BULÓN TERCER PUNTO CAT.II/III SM-1909
3	FE-610008	PASADOR DE ANILLA 11 MM.
4	PX-072804	ARANDELA BULÓN CAT.II/III
5	125 36 BI	ARANDELA PLANA DIN 125 Ø 36 BICROMATADA
6	FE-610011	PASADOR DE ANILLA DE 17
7	BU-012802	BULÓN ENGANCHE CAT. III SM-1909
8	125 25 BI	ARANDELA PLANA DIN 125 M25 BI STANDARD
9	94 5X40 BI	PASADOR DE ALETAS DIN 94 M 5X40 BICROMATADO
10	BU-052802	EJE PARALELOGRAMO EQUIPO DE SIEMBRA
11	PS-051393-D	EQUIPO PORTABRAZOS PLEGABLE DERECHO 600
11	PS-051393-I	EQUIPO PORTABRAZOS PLEGABLE IZQUIERDO 600
11	PS-051395-D	EQUIPO PORTABRAZOS PLEGABLE DERECHO 500
11	PS-051395-I	EQUIPO PORTABRAZOS PLEGABLE IZQUIERDO 500
11	PS-051396-D	EQUIPO PORTABRAZOS PLEGABLE DERECHO 450
11	PS-051396-I	EQUIPO PORTABRAZOS PLEGABLE IZQUIERDO 450
11	PS-051397-D	EQUIPO PORTABRAZOS PLEGABLE DERECHO 400
11	PS-051397-I	EQUIPO PORTABRAZOS PLEGABLE IZQUIERDO 400
12	PS-052821	BARRA EXTERIOR ELEVACIÓN EQUIPO LATERAL
13	PS-051394	BARRA INTER ELEVACIÓN EQUIPO LATERAL-NS-PLUS-2311
14	FE-660014	TOPE PROGRESIVO CONICO GOMA M16
15	985 12	TUERCA DIN 985 M12
16	PS-052835	TOPE CHASIS LATERAL
17	985 16	TUERCA DIN 985 M16
18	931 12X80 8.8B	TORNILLO DIN 931 M12X80 8.8 BICROMATADO
19	BU-052801	EJE ARTICULACIÓN CHASIS CENTRAL-LATERAL
20	CO-052802	CILINDRO EQUIPO SIEMBRA 2010 SM-1909
21	PS-051392	EQUIPO CENTRAL PORTABRAZOS NS-PLUS-2311
22	PS-071333	PIE DE MÁQUINA NS-PLUS



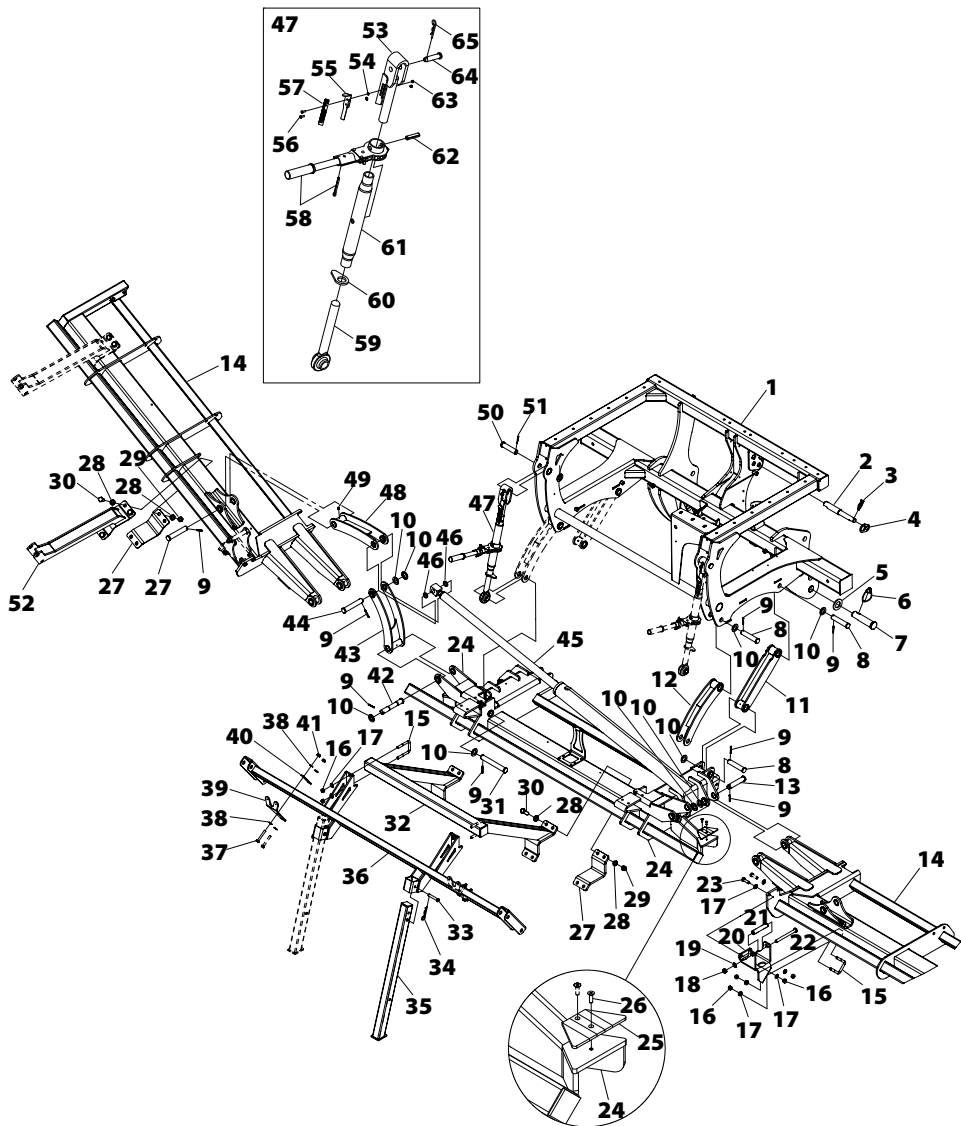
Nº	REFERENCIA	DENOMINACIÓN
23	BU-072800	BULÓN PIE DE MÁQUINA
24	FE-610003	PASADOR "R" DE 4 MM
25	BU-052800	BULÓN ARTICULACIÓN CHASIS BARRA ELEVACIÓN
26	BU-052805	BULÓN RÓTULA CILINDRO
27	BU-051301	BULÓN 25x138 BICROMATADO NEUMASEM
28	933 8X25 8.8 B	TORNILLO DIN 933 8X25 8.8 BICROMATADO
29	PS-201300-D	SOPORTE PASATUBOS SEMILLA DERECHA
29	PS-201300-I	SOPORTE PASATUBOS SEMILLA IZQUIERDA
30	985 8	TUERCA DIN 985 M8
31	BU-052804	BULÓN TENSOR GUÍA EQUIPO SIEMBRA
32	MO-052808	TENSOR 1 1/8" L=500/770 COMPLETO
33	PS-012803	BIELA SUSPENSIÓN GUÍA
34	PS-012802	BIELA SUSPENSIÓN SIMPLE
35	CT-052851	SEPARADOR CILINDRO EQUIPO CON EXTREMO RECT.
36	PS-052819	GUÍA TENSOR ROSCADO
37	125 4 BI	ARANDELA PLANA DIN 125 M4 BICROMATADO
38	PX-052854	BASE FIJACIÓN NIVEL TENSOR
39	933 4X12 8,8B	TORNILLO DIN 933 M 4X12 8.8 BICROMATADO
40	AD-052800	NIVEL CONTROL PROFUNDIDAD TENSOR
41	FE-613011	TRINQUETE PARA TENSOR 1 1/8" S-13049
42	FE-613020	FINAL TENSOR CON ROSCA DER. 1 1/8" L=247
43	FE-613019	CONTRATUERCA BLOQUEO TENSOR
44	FE-613018	CUERPO TENSOR 1 1/8" L=368
45	1481 12X50 BI	PASADOR ELÁSTICO DIN 1481 12X50 BICROMATADO
46	985 4	TUERCA DIN 985 M-4
47	BU-052803	BULÓN SEGURO GUÍA TENSOR
48	FE-610002	PASADOR "R" DE 3 MM



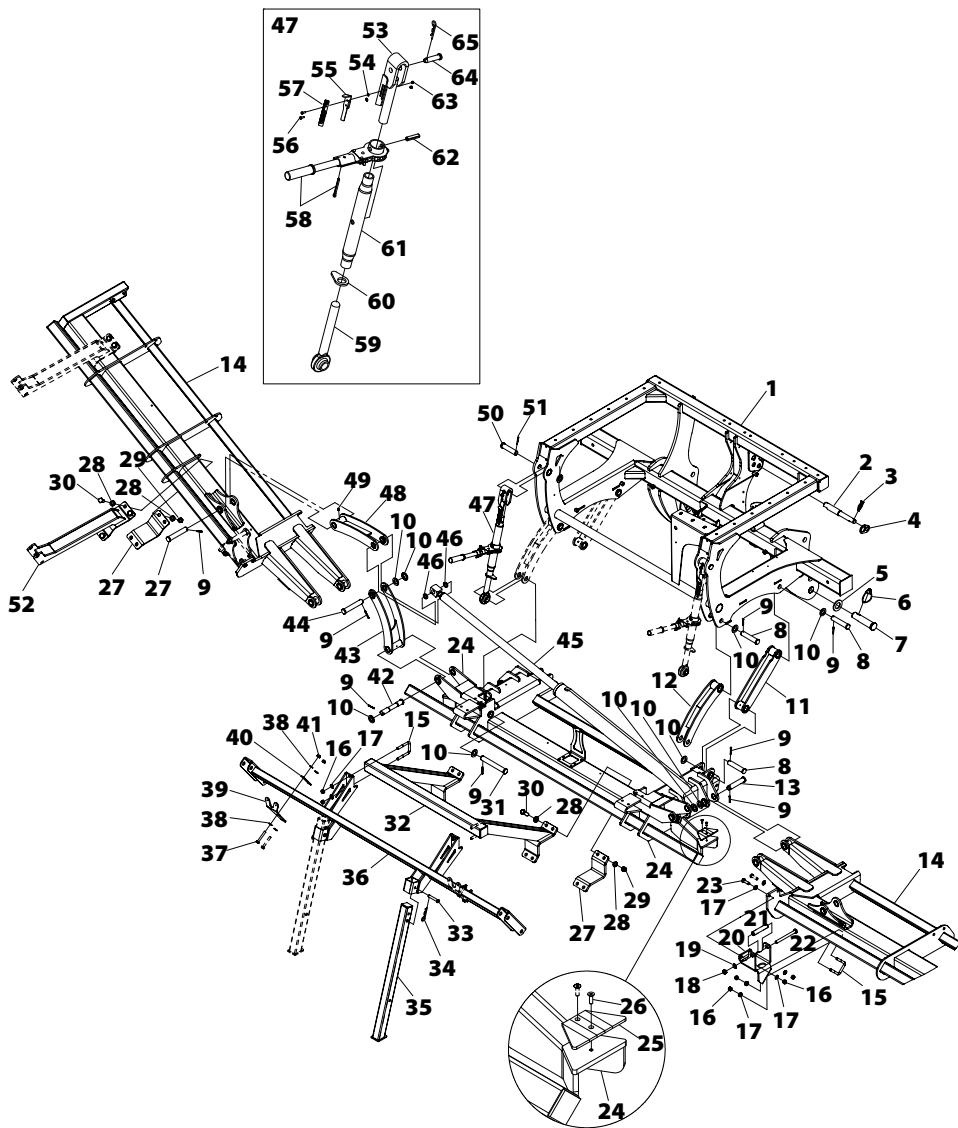
Nº	REFERENCIA	DENOMINACIÓN
1	PS-011315	CHASIS NS-PLUS-2311
1	PS-011316	CHASIS NS-PLUS-2311 PARA CULTIVADOR
2	BU-012801	BULÓN TERCER PUNTO CAT.II/III SM-1909
3	FE-610008	PASADOR DE ANILLA 11 MM.
4	PX-072804	ARANDELA BULÓN CAT.II/III
5	125 36 BI	ARANDELA PLANA DIN 125 Ø 36 BICROMATADA
6	FE-610011	PASADOR DE ANILLA DE 17
7	BU-012802	BULÓN ENGANCHE CAT. III SM-1909
8	BU-061302	BULÓN 25 X 118 BICROMATADO NEUMASEM
9	94 5X35 BI	PASADOR DE ALETAS DIN 94 M 5X35 BICROMATADO
10	125 25 BI	ARANDELA PLANA DIN 125 M25 BICROMATADA STANDARD
11	PS-012802	BIELA SUSPENSIÓN SIMPLE
12	PS-012803	BIELA SUSPENSIÓN GUÍA
13	BU-052802	EJE PARALELOGRAMO EQUIPO DE SIEMBRA
14	PS-151316-D	CHASIS PORTABRAZOS DOBLE DISCO LATERAL DERECHO 600
14	PS-151316-I	CHASIS PORTABRAZOS DOBLE DISCO LATERAL IZQUIERDO 600
14	PS-151322-D	CHASIS PORTABRAZOS DOBLE DISCO LATERAL DERECHO 500
14	PS-151322-I	CHASIS PORTABRAZOS DOBLE DISCO LATERAL IZQUIERDO 500
14	PS-151323-D	CHASIS PORTABRAZOS DOBLE DISCO LATERAL DERECHO 400
14	PS-151323-I	CHASIS PORTABRAZOS DOBLE DISCO LATERAL IZQUIERDO 400
15	EE-053110	BRIDA TUBO 60 M-12X88 LAMUSA
16	985 12	TUERCA DIN 985 M12
17	125 12 BI	ARANDELA PLANA DIN 125 12 BICROMATADA
18	985 14	TUERCA DIN 985 M14
19	125 14 BI	ARANDELA DIN-125 M14 BICROMATADA
20	PX-151356-D	TOPE CERRADO ABATIBLE DERECHO
20	PX-151356-I	TOPE CERRADO ABATIBLE IZQUIERDO
21	ME-072805	SEPARADOR Ø15/22-109
22	931 14X150 8.8B	TORNILLO DIN 931 M14X150 8.8 BICROMATADO
23	933 12X40 8.8 B	TORNILLO DIN 933 M 12X40 8.8 BICROMATADO



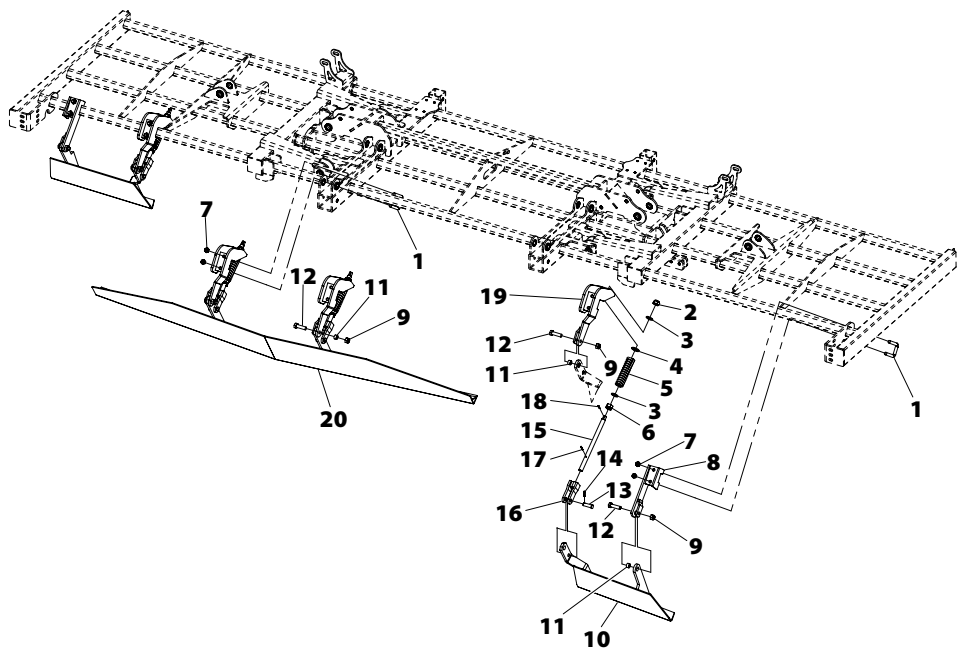
Nº	REFERENCIA	DENOMINACIÓN
24	PS-151315	CHASIS PORTABRAZOS DOBLE DISCO CENT. A 140
25	PL-051713	RASCADOR POLIURETANO DISCO ABONADOR
26	7991 6X20 BI	TORNILLO DIN 7991 6X20 BICROMATADO
27	PX-081311	BRIDA 120X80 DIAGONAL 12E 2 AGUJ.
28	125 16 BI	ARANDELA DIN 125 M16 BICROMATADA
29	985 16	TUERCA DIN 985 M16
30	933 16X50 8.8 B	TORNILLO DIN 933 M16X50 8.8. BICROMATADO
31	BU-051310	EJE ARTICULACIÓN EQUIPO PARALELOGRAMO
32	PS-151306	SOPORTE RASTRILLA-ESCALERA
33	BU-051312	BULÓN PIES MÁQUINA
34	FE-610003	PASADOR "R" DE 4 MM
35	PS-151317	PIE DESCANSO MÁQUINA
36	PS-151310	SOPORTE RASTRILLA CENTRAL
37	931 10X70 8.8 B	TORNILLO DIN 931 M10X70 8.8 BICROMATADO
38	125 10 BI	ARANDELA PLANA DIN 125 M10 BICROMATADA
39	PX-201344	PORTALUCES CARRETERA NS-PLUS DISCOS
40	PX-201345	PLETINA COLLADO LICES CARRETERA
41	985 10	TUERCA DIN 985 M10
42	BU-052800	BULÓN ARTICULACIÓN CHASIS BARRA ELEVACIÓN
43	PS-151307	BIELA TRAMO CENTRAL
44	BU-052805	BULÓN RÓTULA CILINDRO
45	CO-051308	CILINDRO EQUIPO SIEMBRA DOBLE DISCO
46	CT-052851	SEPARADOR CILINDRO EQUIPO CON EXTREMO RECT.
47	MO-052808	TENSOR 1 1/8" L=500/770 COMPLETO
48	PS-151308	BIELA TRAMO ABATIBLE
49	FE-603001	ENGRASADOR RECTO M-6
50	BU-052804	BULÓN TENSOR GUÍA EQUIPO SIEMBRA
51	94 5x40 BI	PASADOR DE ALETAS DIN 94 M 5X40 BICROMATADO
52	PS-151309	SOPORTE RASTRILLA LATERAL
53	PS-052819	GUÍA TENSOR ROSCADO



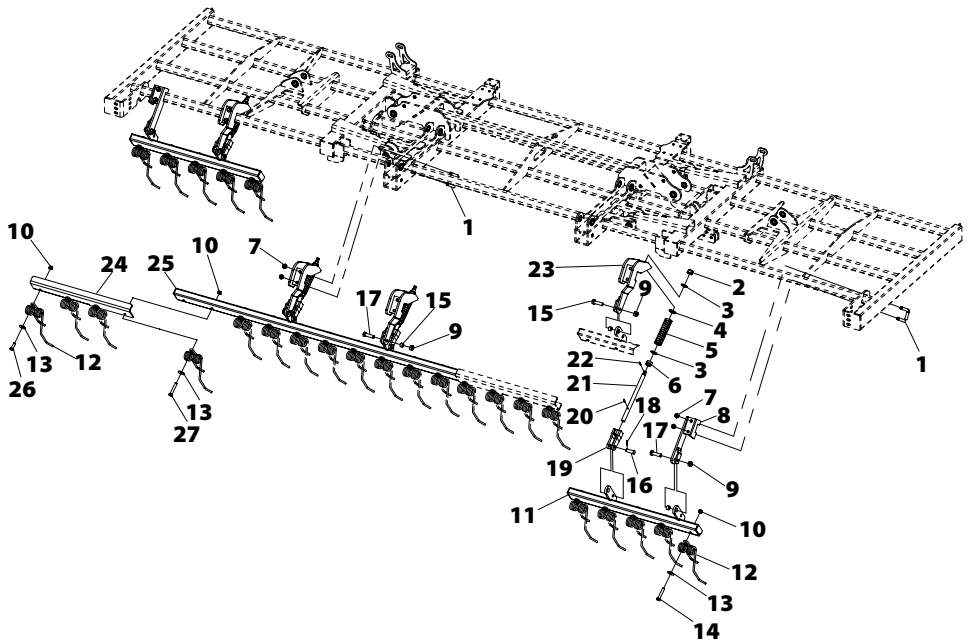
Nº	REFERENCIA	DENOMINACIÓN
54	125 4 BI	ARANDELA PLANA DIN 125 M4 BICROMATADO
55	PX-052854	BASE FIJACIÓN NIVEL TENSOR
56	933 4X12 8,8B	TORNILLO DIN 933 M 4X12 8.8 BICROMATADO
57	AD-052800	NIVEL CONTROL PROFUNDIDAD TENSOR
58	FE-613011	TRINQUETE PARA TENSOR 1 1/8" S-13049
59	FE-613020	FINAL TENSOR CON ROSCA DER. 1 1/8" L=247
60	FE-613019	CONTRATUERCA BLOQUEO TENSOR
61	FE-613018	CUERPO TENSOR 1 1/8" L=368
62	1481 12X50 BI	PASADOR ELÁSTICO DIN 1481 12X50 BICROMATADO
63	985 4	TUERCA DIN 985 M-4
64	BU-052803	BULÓN SEGURO GUÍA TENSOR
65	FE-610002	PASADOR "R" DE 3 MM



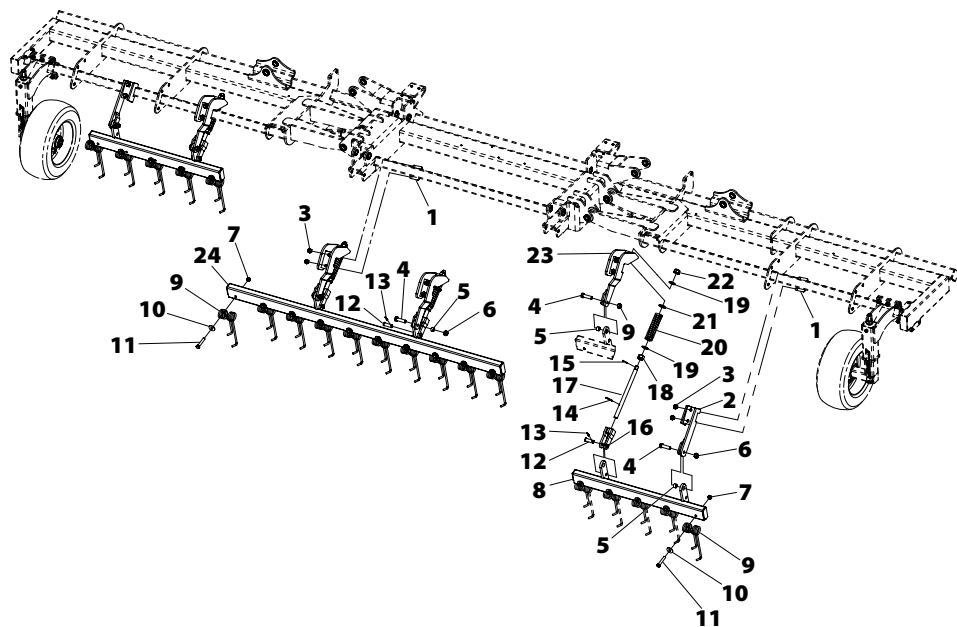
Nº	REFERENCIA	DENOMINACIÓN
1	EE-050314	BRIDA"U" SUJECION SOPORTE TRI-194
2	985 20	TUERCA DIN 985 M20
3	125 20 BI	ARANDELA DIN 125 M20 BI
4	ME-061303	ARANDELA HUSILLO NIVELADOR NEUMASEM
5	ML-050300	MUELLE HERRAJE MAQUINA TRI 8,5 MM.
6	935 20 BI	TUERCA DIN 935 M20 BI
7	985 14	TUERCA DIN 985 M14
8	PS-061305-I	SOPORTE NIVEL.LATERAL IZQ NEUMASEM PARA EQ. REJAS RECTAS
8	PS-061305-D	SOPORTE NIVEL.LATERAL DER NEUMASEM PARA EQ. REJAS RECTAS
8	PS-161316	SOPORTE LATERAL NIVELADORA DE PUAS PARA EQ. DOBLE DISCO
9	985 16	TUERCA DIN 985 M16
10	PS-061384-I	TABLA PLANA NIVELADORA LAT IZQ. 5000 NS- PLUS
10	PS-061384-D	TABLA PLANA NIVELADORA LAT DER. 5000 NS-PLUS
11	ME-061301	ANILLO GIRO BRAZO NIVELAD NEUMASEM
12	931 16x55 8.8 BI	TORNILLO DIN 931 M16X55 8.8 BICROMATADO
13	BU-050303	BULÓN ARTICULACIÓN Ø 16 x 54 MM.
14	94 5x25 BI	PASADOR DE ALETAS DIN 94 M 5X25 BICROMATADO
15	ME-061305	HUSILLO NIVELADOR NEUMASEM
16	PS-061318	HORQUILLA HUSILLO NIVELAD NEUMASEM
17	94 4X32 BI	PASADOR DE ALETAS DIN 94 M 4X32 BICROMATADO
18	1481 5X30 BI	PASADOR ELASTICO DIN 1481 M 5X30 BICROMATADO
19	PS-061352	SOP. ART. NIVELADOR NEUMASEM C.T. PARA EQ. REJAS RECTAS
19	PS-161315	SOP. ART. NIVELADORA PUAS PARA EQ. DOBLE DISCO
20	PS-061382	TABLA PLANA NIVELADORA CENTRAL NS-PLUS



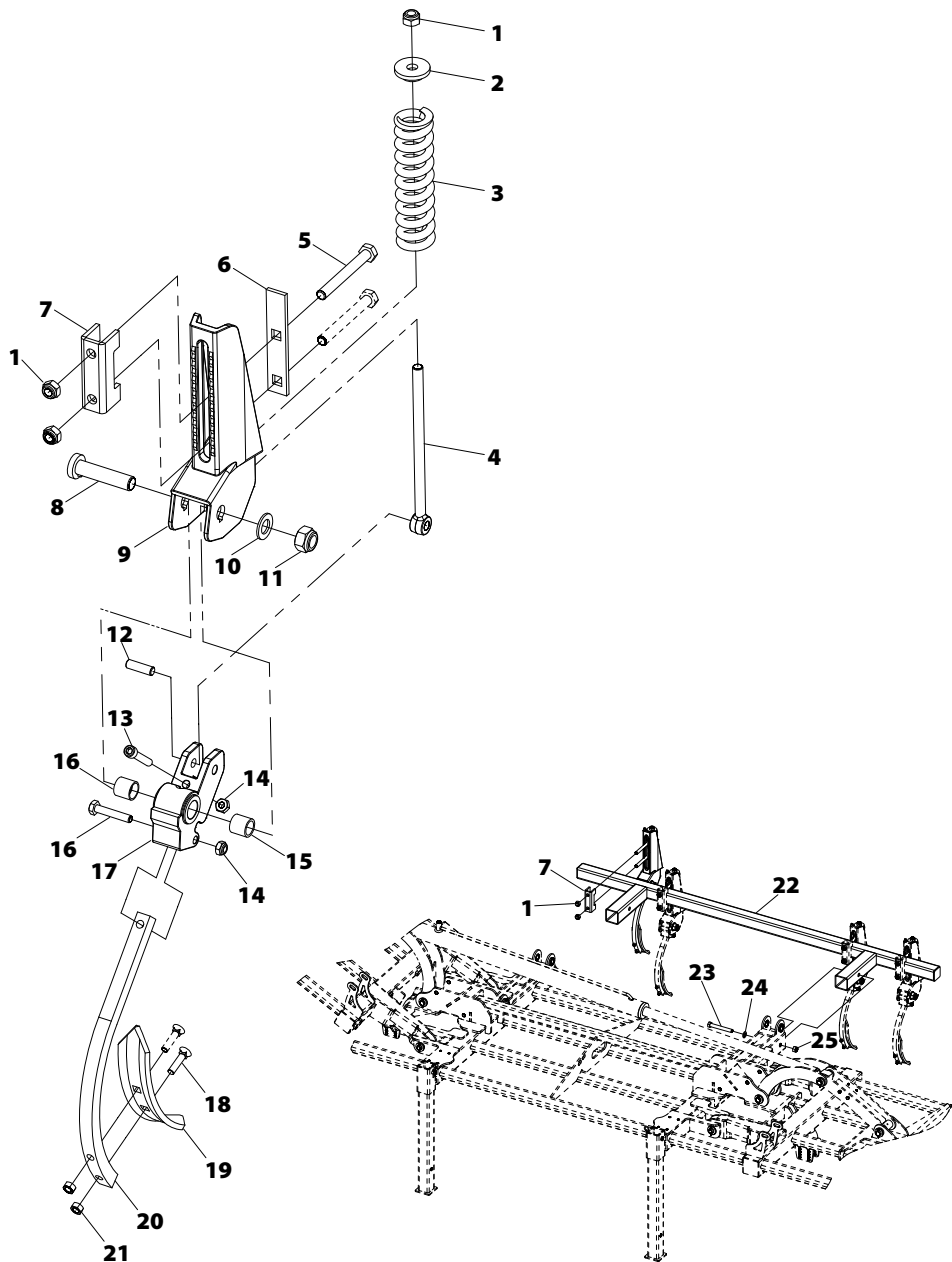
Nº	REFERENCIA	DENOMINACIÓN
1	EE-050314	BRIDA"U" SUJECIÓN SOPORTE TRI-194
2	985 20	TUERCA DIN 985 M20
3	125 20 BI	ARANDELA DIN 125 M20 BICROMATADA
4	ME-061303	ARANDELA HUSILLO NIVELADOR NEUMASEM
5	ML-050300	MUELLE HERRAJE MÁQUINA TRI 8,5 MM.
6	935 20 BI	TUERCA DIN 935 M20 BICROMATADA
7	985 14	TUERCA DIN 985 M14
8	PS-061305-I	SOPORTE NIVEL.LATERAL IZQ NEUMASEM
8	PS-061305-D	SOPORTE NIVEL.LATERAL DER NEUMASEM
9	985 16	TUERCA DIN 985 M16
10	985 12	TUERCA DIN 985 M12
11	PS-061390-I	BARRA NIVELADORA PUAS LAT IZQUIERDA 500 N-PLUS
11	PS-061390-D	BARRA NIVELADORA PUAS LAT DERECHA 500 N-PLUS
12	M01-51/B	PUA DE DOBLE MUELLE
13	9021 12 BI	ARANDELA DIN 9021 M12 BICROMATADA
14	931 12X70 8.8 B	TORNILLO DIN 931 12X70 8.8 BICROMATADO
15	ME-061301	ANILLO GIRO BRAZO NIVELAD NEUMASEM
16	BU-050303	BULÓN ARTICULACIÓN Ø 16 x 54 MM.
17	931 16x55 8.8 BI	TORNILLO DIN M16X55 8,8 BICROMATADO
18	94 5x25 BI	PASADOR DE ALETAS DIN 94 M5X25 BICROMATADO
19	PS-061318	HORQUILLA HUSILLO NIVELAD NEUMASEM
20	94 4X32 BI	PASADOR DE ALETAS DIN 94 M4X32 BICROMATADO
21	ME-061305	HUSILLO NIVELADOR NEUMASEM
22	1481 5X30 BI	PASADOR ELÁSTICO DIN 1481 M5X30 BICROMATADO
23	PS-061352	SOPORTE ARTICULACIÓN NIVELADOR NEUMASEM C.T.
24	PX-061366-I	BRAZO EXTERIOR NIVELADORA LAT IZQ NS-PLUS
24	PX-061366-D	BRAZO EXTERIOR NIVELADORA LAT DER NS-PLUS
25	PS-061388	BARRA NIVELADORA PUAS CENTRAL NS-PLUS-2311
26	931 12X35 8.8 BI	TORNILLO DIN 931 M12X35 8,8 BICROMATADO
27	931 12X75 8.8 B	TORNILLO DIN 931 M12X75 8.8 BICROMATADO



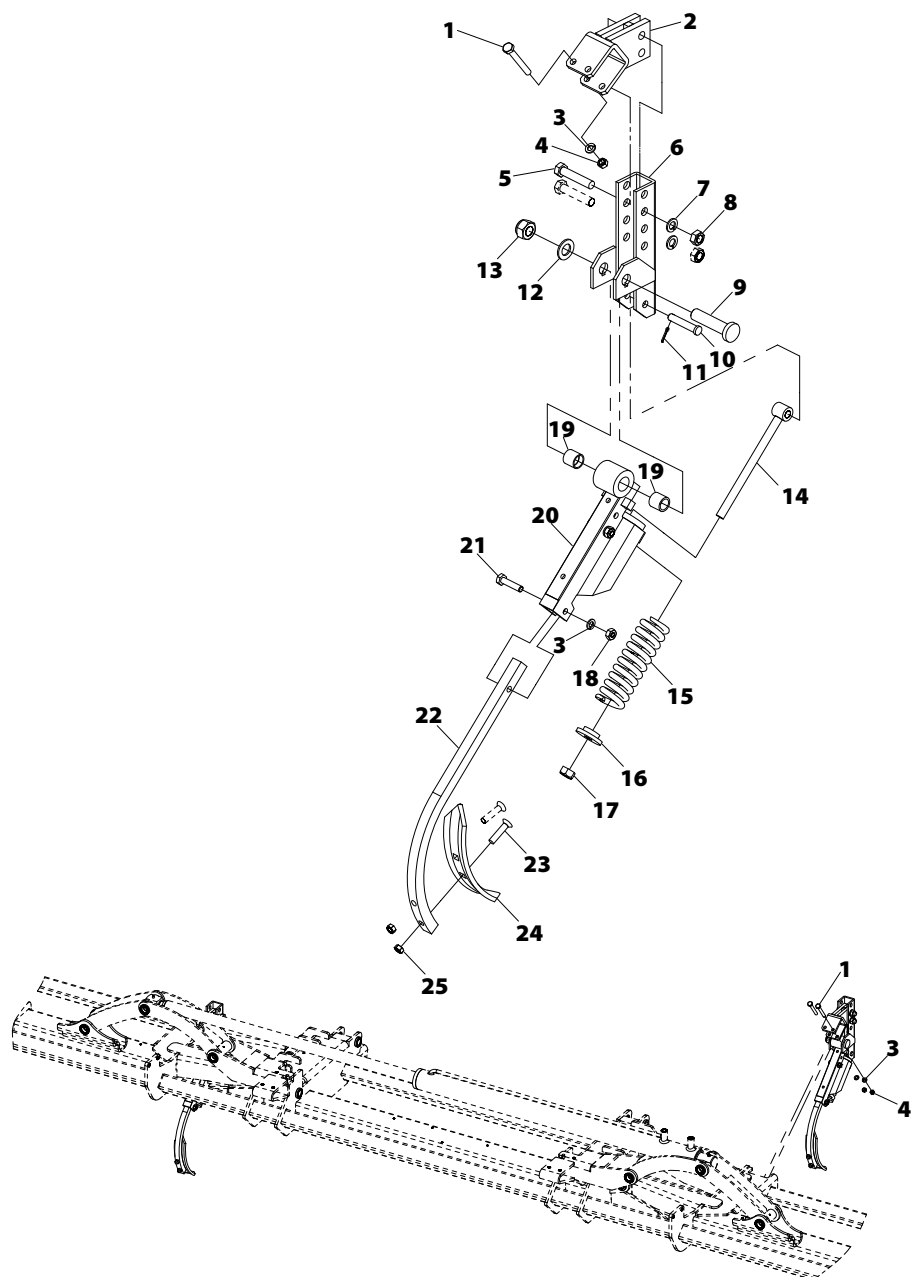
Nº	REFERENCIA	DENOMINACIÓN
1	EE-050314	BRIDA"U" SUJECIÓN SOPORTE TRI-194
2	PS-161316	SOPORTE LATERAL NIVELADORA DE PUAS
3	985 14	TUERCA DIN 985 M14
4	931 16X55 8.8 B	TORNILLO DIN 931 M16X55 8.8 BI
5	ME-061301	ANILLO GIRO BRAZO NIVELAD NEUMASEM
6	985 16	TUERCA DIN 985 M16
7	985 12	TUERCA DIN 985 M12
8	PS-161313-I	BARRA NIVELADORA PÚAS LAT IZQ 6000
8	PS-161313-D	BARRA NIVELADORA PÚAS LAT DER 6000
9	M01-51/B	MUELLE DOBLE PÚA BARRA INTERMEDIA 8MM.
10	9021 12 BI	ARANDELA DIN 9021 M12 BICROMATADA
11	931 12X70 8.8 B	TORNILLO DIN 931 12X70 8.8 BI
12	BU-050303	BULÓN ARTICULACIÓN Ø 16 x 54 MM.
13	94 5X25 BI	PASADOR DE ALETAS DIN 94 M 5X25 BI
14	94 4X32 BI	PASADOR DE ALETAS DIN 94 M 4X32 BI
15	1481 5X30 BI	PASADOR ELÁSTICO DIN 1481 M 5X30 BI
16	PS-061318	HORQUILLA HUSILLO NIVELADOR NEUMASEM
17	ME-061305	HUSILLO NIVELADOR NEUMASEM
18	935 20 BI	TUERCA DIN 935 M20 BI
19	125 20 BI	ARANDELA DIN 125 M20 BI
20	ML-050300	MUELLE HERRAJE MAQUINA TRI 8,5 MM.
21	ME-061303	ARANDELA HUSILLO NIVELADOR NEUMASEM
22	985 20	TUERCA DIN 985 M20
23	PS-161315	SOPORTE ARTICULACIÓN NIVELADORA PÚAS
24	PS-161312	BARRA NIVELADORA PUAS CENTRAL



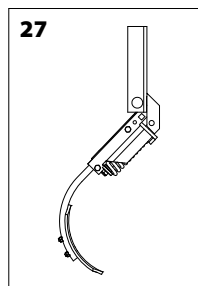
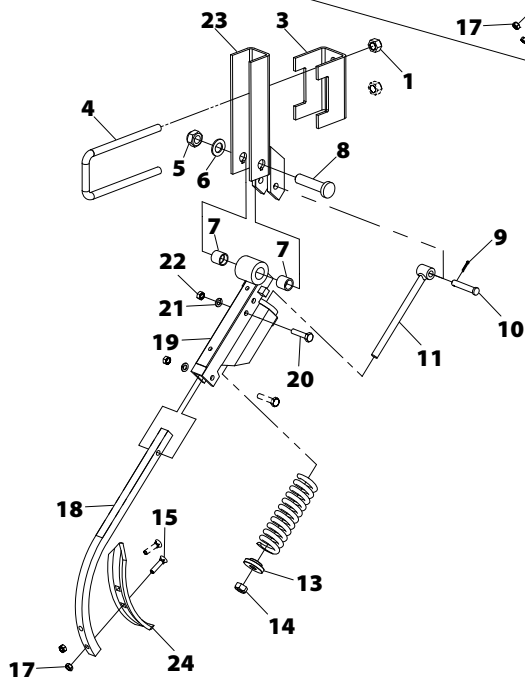
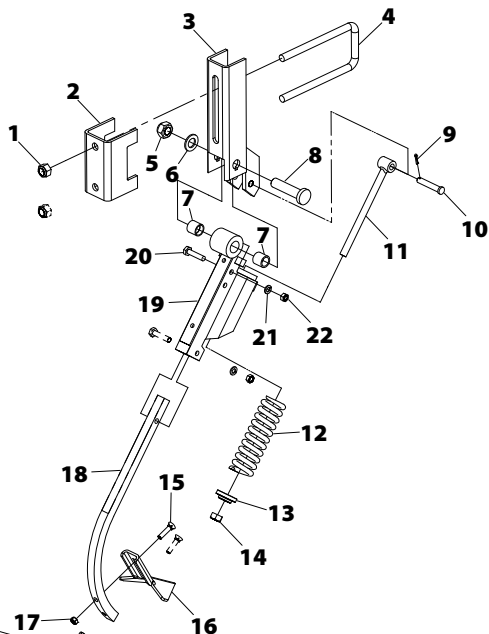
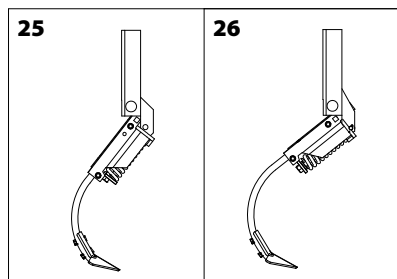
Nº	REFERENCIA	DENOMINACIÓN
1	985 14	TUERCA DIN 985 M14
2	ME-052812	CASQUILLO TOPE MUELLE ML-052802
3	ML-062100	MUELLE BRAZO B.H. PROTOTIPO TRI 1404
4	FO-062100	TENSOR MUELLE BRAZO B.H./CULT.TRAS. TRI-1404
5	931 14X120 8.8 B	TORNILLO DIN 931 M-14X120 8.8 BICROMATADO
6	PX-061325	BLOQUEADOR TORNILLOS BRAZO CULT. TRAS. NEUMASEM
7	PX-062105	BRIDA TUBO 60
8	TS-052801	TORNILLO SOPORTE BRAZO SIEMBRA SM TRATADO
9	PS-062101	SOPORTE BRAZO CULTIVADOR TRASERO NEUMASEM
10	125 20 BI	ARANDELA DIN 125 M20 BICROMATADA
11	985 20-150	TUERCA DIN 985 M20/150
12	CT-062102	BULÓN TENSOR BRAZO CULT/BH TRI-1404
13	912 10X60 8.8 B	TORNILLO ALLEN DIN 912 M-10X60 8.8 BICROMATADO
14	985 10	TUERCA DIN 985 M10
15	PL-050302	CASQUILLO ARTICULACION BRAZO
16	931 10X55 8.8 B	TORNILLO DIN 931 M10X55 8.8 BICROMATADO
17	PS-062100	BASTIDOR BRAZO CULTIVADOR TRASERO NEUMASEM
18	608 9x40 BI	TORNILLO DIN 608 M9X40 BICROMATADO
19	FO-060300	REJITA 57/7 AGUJEROS A 45 MM S-3/A
20	FO-061303	BRAZO CULTIVADOR TRASERO NEUMASEM
21	934 9 BI	TUERCA DIN 934 M9 BICROMATADA
22	PS-051392	EQUIPO CENTRAL PORTABRAZOS NS-PLUS-2311
23	931 16X120 8.8B	TORNILLO DIN 931 16X120 8.8 BICROMATADO
24	125 16	ARANDELA PLANA DIN125 M16
25	985 16	TUERCA DIN 985 M16



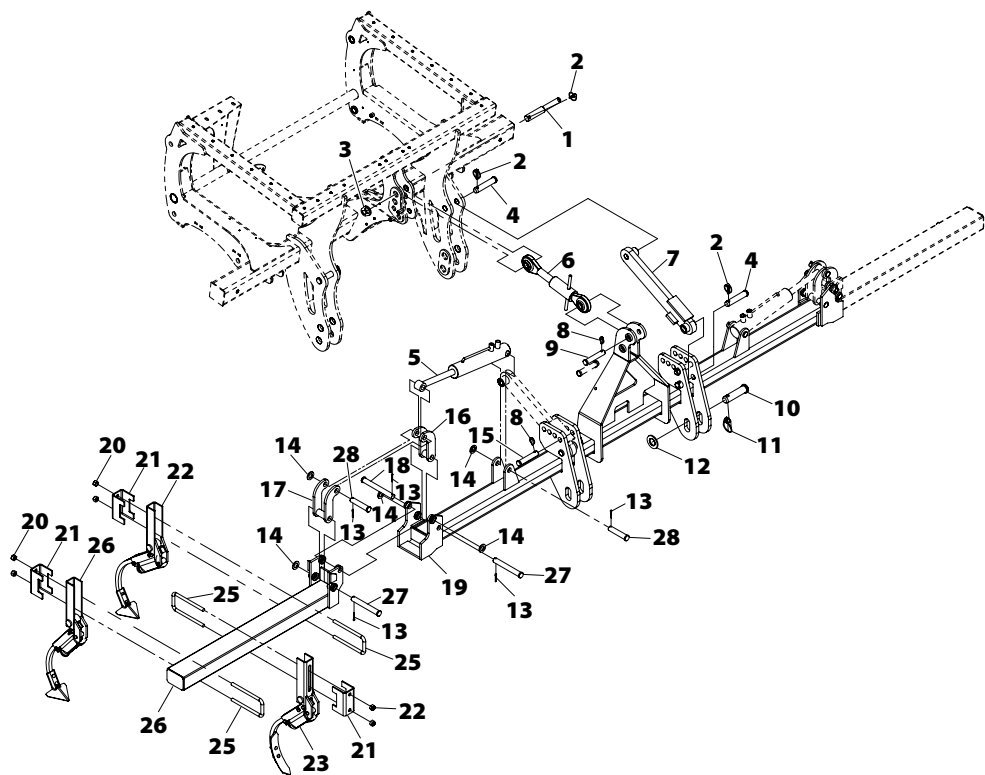
Nº	REFERENCIA	DENOMINACIÓN
1	931 10x80 8.8 B	TORNILLO DIN 931 M10X80 8.8 BICROMATATO
2	PS-061322	SOPORTE FIJO B.H.TRAS.M. NEUMASEM
3	127 10 BI	ARANDELA GROWER DIN 127 M 10 BICROMATADA
4	934 10 BI	TUERCA DIN 934 M10 BICROMATADA
5	931 14x70 8.8 B	TORNILLO DIN 931 M14X70 8.8 BICROMATADO
6	PS-061330	SOPORTE BASTI.B.H.TRAS.M. NEUMASEM
7	127 14 BI	ARANDELA DIN 127 M14 BICROMATADA
8	934 14 BI	TUERCA DIN 934 M14 BICROMATADA
9	TS-052801	TORNILLO SOPORTE BRAZO SIEMBRA SM TRATADO
10	BU-060300	BULÓN DE 12X69 ESTAMPADO
11	94 3,5X20 BI	PASADOR DE ALETAS DIN 94 M 3,5X20 BICROMATADO
12	125 20 BI	ARANDELA DIN 125 M20 BICROMATADA
13	985 20	TUERCA DIN 985 M20
14	FO-060202	TENSOR MUELLE BRAZO BM
15	ML-060300	MUELLE BRAZO BM
16	ME-052812	CASQUILLO TOPE MUELLE ML-052802
17	980 14 BI	TUERCA AUTOB.DIN 980 M14 BICROMATADA
18	934 10 BI	TUERCA DIN 934 M10 BICROMATADA
19	PL-050302	CASQUILLO ARTICULACION BRAZO
20	PS-1120	BASTIDOR BRAZO BORRAHUELL -M- CON TOPE
21	931 10X45 8.8 B	TORNILLO DIN 931 M10X45 8.8 BICROMATADO
22	FO-060302	BRAZO BORRAHUELLAS CON MUELLE
23	608 9X40	TORNILLO DIN 608 M9X40
24	FO-060300	REJITA 57/7 AGUJEROS A 45 MM S-3/A
25	934 9 BI	TUERCA DIN 934 M9 BICROMATADA



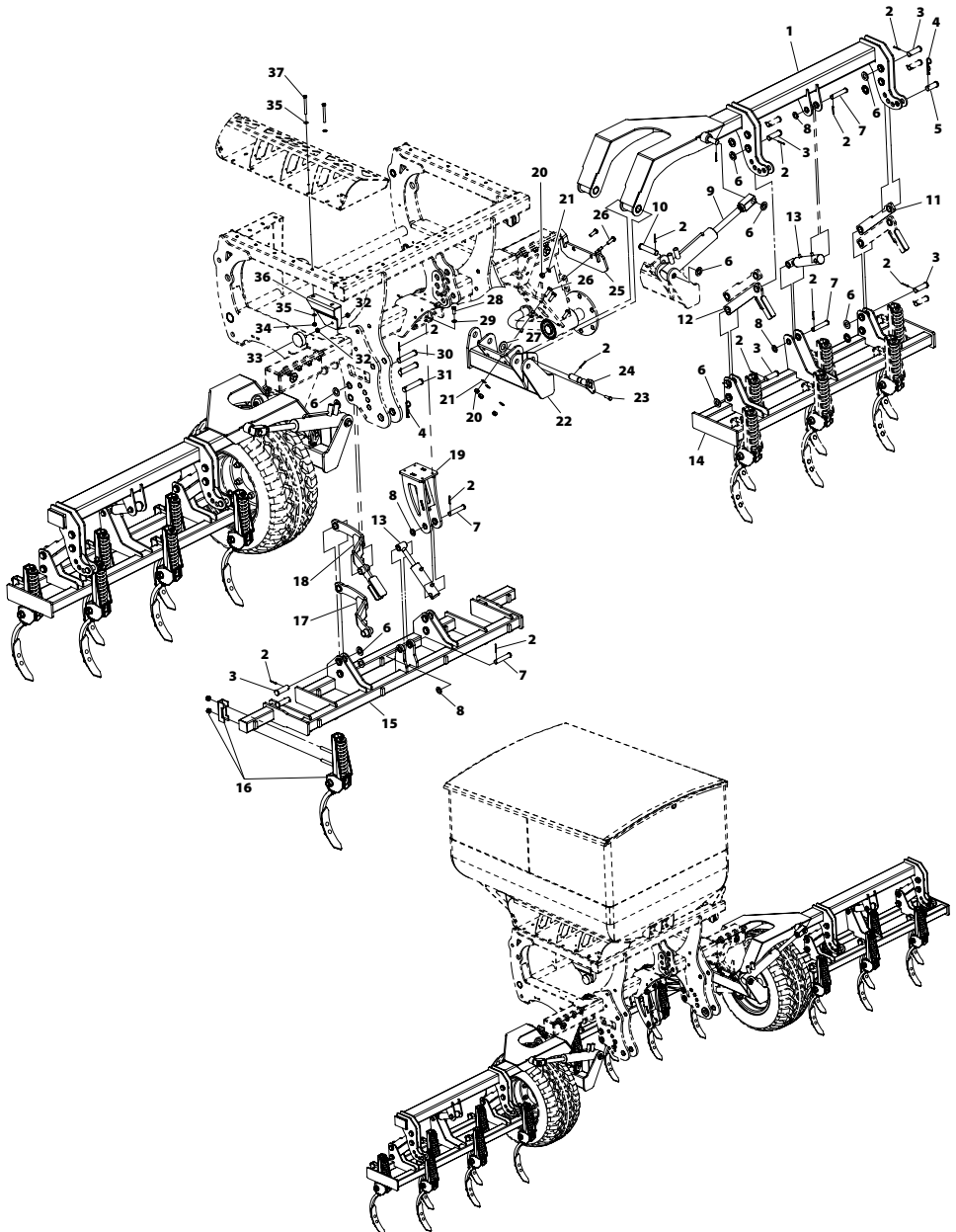
Nº	REFERENCIA	DENOMINACIÓN
1	985 16	TUERCA DIN 985 M16
2	R01-117	REFUERZO MEDIANO SOPORTE BRAZO B/M PARA C.F.
3	PS-061320	SOPORTE BRAZO CULT. EXTREM NEUMASEM 450/500
3	PS-1117	SOPORTE BRAZO CULTIVAD-M
4	EE-060230	BRIDA BRAZO CULTIVADOR FLOTANTE -M
5	985 20-150	TUERCA DIN 985 M20/150
6	125 20 BI	ARANDELA DIN 125 M20 BICROMATADA
7	PL-050302	CASQUILLO ARTICULACIÓN BRAZO
8	TS-052801	TORNILLO SOPORTE BRAZO SIEMBRA SM TRATADO
9	94 3,5x20 BI	PASADOR DE ALETAS DIN 94 M 3,5X20 BICROMATADO
10	BU-060300	BULÓN DE 12X69 ESTAMPADO
11	FO-060202	TENSOR MUELLE BRAZO BM
12	ML-060300	MUELLE BRAZO BM
13	ME-052812	CASQUILLO TOPE MUELLE ML-052802
14	980 14 BI	TUERCA AUTOB. DIN 980 M14 BICROMATADA
15	608 9x40 BI	TORNILLO ARADO DIN 608 M9X40 BICROMATADO
16	R08-05	REJITA GOLONDRINA
17	934 9 BI	TUERCA DIN 934 M9 BICROMATADA
18	FO-060302	BRAZO BORRAHUELLAS CON MUELLE
18	FO-060303	BRAZO CULTIVADOR CON MUELLE
19	PS-1120	BASTIDOR BRAZO BORRAHUELL -M- CON TOPE
19	PS-1121	BASTIDOR BRAZO CULTIVADOR -M- CON TOPE
20	931 10x45 8.8 B	TORNILLO DIN 931 M10X45 8.8 BICROMATADO
21	127 10 BI	ARANDELA GROWER DIN 127 M 10 BICROMATADA
22	934 10 BI	TUERCA DIN 934 M10 BICROMATADA
23	PS-1113	SOPORTE BRAZO BORRAHUELLAS MUELLE
24	FO-060300	REJITA 57/7 AGUJEROS A 45 MM S-3/A
25	MO-061310	BRAZO CULTIVADOR EXTREMOS NEUMASEM 500
26	MO-0720-B	BRAZO CULTIVADOR -M- SIN BRIDA NI REFUERZO
27	MO-0719-B	BRAZO BORRAHUELLAS -M- SIN BRIDA NI REFUERZO



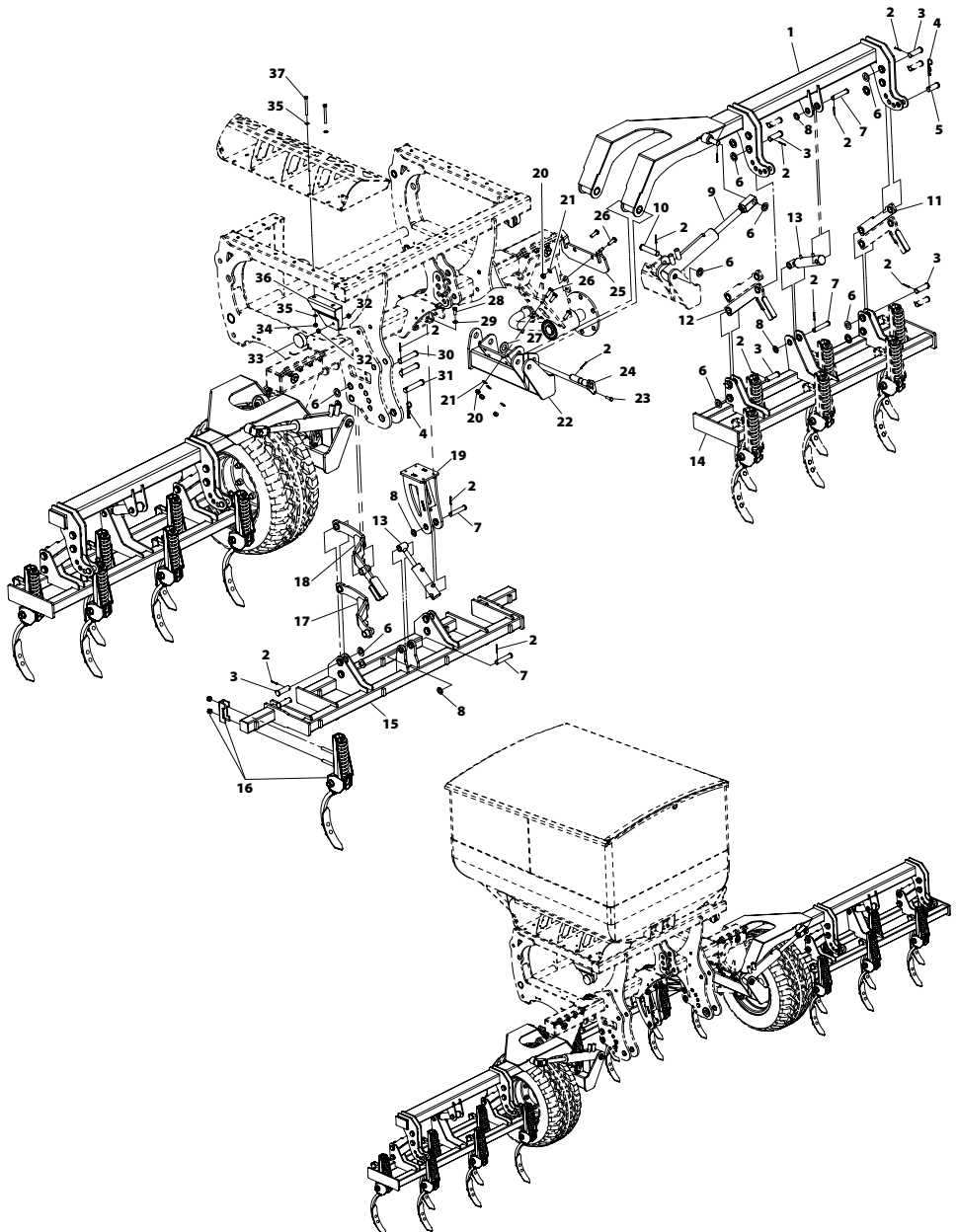
Nº	REFERENCIA	DENOMINACIÓN
1	BU-012801	BULÓN TERCER PUNTO CAT.II/III SM-1909
2	FE-610008	PASADOR DE ANILLA 11 MM.
3	PX-072804	ARANDELA BULÓN CAT.II/III
4	BU-061308	BULÓN Ø28X135
5	SC-57	CILINDRO D.E. PLEGADO C.F SEMBRADORA NEUMÁTICA
6	FE-613022	SENSOR CULTIVADOR FLOTANTE NSPLUS S-1545 ESPECIAL
7	PS-161307-I	BIELA ENGANCHE CULTIVADOR FLOTANTE IZQUIERDO
7	PS-161307-D	BIELA ENGANCHE CULTIVADOR FLOTANTE DERECHO
8	FE-610007	PASADOR ANILLA DE 8
9	B03-132	BULÓN Ø 25X125 C.F.
10	ME-012000	BULÓN ENGANCHE INFERIOR SD-1303
11	FE-610011	PASADOR DE ANILLA DE 17
12	125 39 BI	ARANDELA PLANA DIN 125 M10 BICROMATADA
13	BU-061302	BULÓN 25 X 118 BICROMATADO NEUMASEM
14	94 5X36 BI	PASADOR DE ALETAS DIN 94 M 5X36 BICROMATADO
15	BU-061301	BULÓN Ø25 X 184 NEUMASEM 699
16	125 25 BI	ARANDELA PLANA DIN 125 M25 BI STANDARD
17	BU-061307	BULÓN Ø25 X 115 TOPE CULT.FLOT. NEUMASEM 08
18	PS-061303	BIELA CENTRAL ARTIC.CULT. NEUMASEM
19	PS-061302	BIELA LATERAL ARTIC.CULT. NEUMASEM
20	BU-061300	BULÓN Ø25 X 208 NEUMASEM 699
21	PS-061340	CULTIVADOR FLOTANTE CENTRAL NEUMASEM (08)
22	985 16	TUERCA DIN 985 M16
23	R01-117	REFUERZO MEDIANO SOPORTE BRAZO B/M PARA C.F.
24	MO-0720/B	BRAZO CULTIVADOR -M- SIN BRIDA NI REFUERZO
25	MO-0719/B	BRAZO BORRAHUELLAS -M- SIN BRIDA NI REFUERZO
26	MO-061310	BRAZO CULTIVADOR EXTREMOS NEUMASEM 500
27	EE-060230	BRIDA BRAZO CULTIVADOR FLOTANTE -M
28	PS-061313	CULTIVADOR LATERAL 500 NEUMASEM 699
28	PS-061312	CULTIVADOR LATERAL 450 NEUMASEM 699
28	PS-061311	CULTIVADOR LATERAL 400 NEUMASEM 699



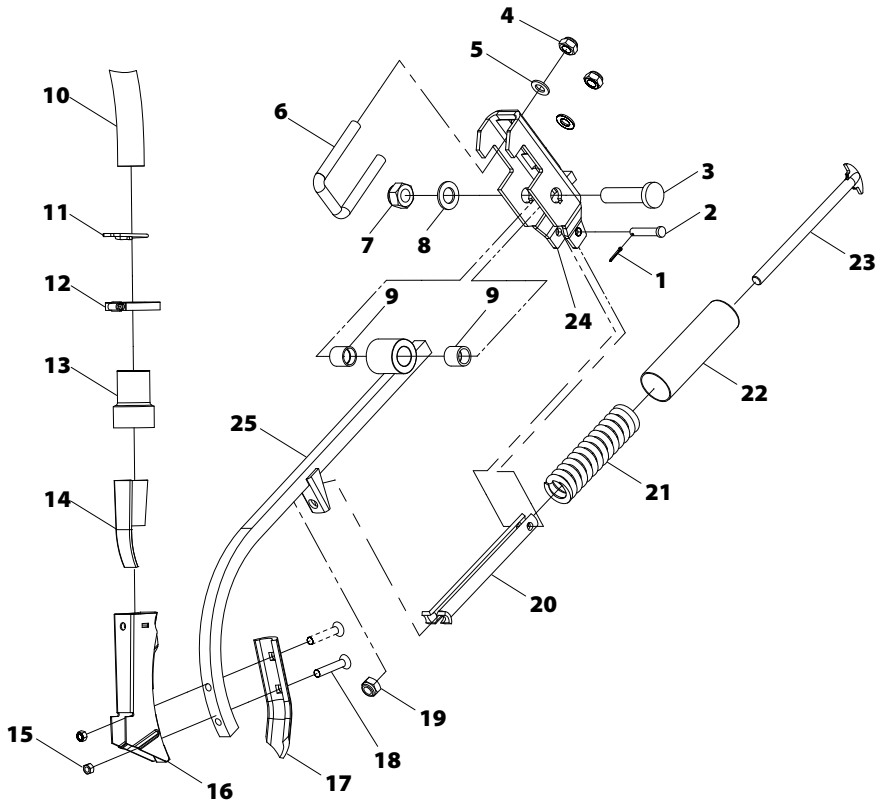
Nº	REFERENCIA	DENOMINACIÓN
1	PS-161300-I	BRAZO SUPERIOR CULTIVADOR LAT. IZQ. 6M NS-PLUS
1	PS-161300-D	BRAZO SUPERIOR CULTIVADOR LAT. DER. 6M NS-PLUS
1	PS-161306-I	BRAZO SUPERIOR CULTIVADOR 5M LAT IZQUIERDO
1	PS-161306-D	BRAZO SUPERIOR CULTIVADOR 5M LAT DERECHO
1	PS-161309-I	BRAZO SUPERIOR CULTIVADOR 4m LAT IZQUIERDO
1	PS-161309-D	BRAZO SUPERIOR CULTIVADOR 4m LAT DERECHO
2	94 5x40 BI	PASADOR DE ALETAS DIN 94 M 5X40 BICROMATADO
3	BU-061311	BULÓN Ø 25X84 NS PLUS
4	FE-610004	PASADOR "R" DE 5 MM
5	BU-061316	BULÓN Ø 25X73 NS-PLUS
6	125 24 BI	ARANDELA DIN 125 M24 BICROMATADA
7	BU-061317	BULÓN Ø 20X108 NS-PLUS
8	125 20 BI	ARANDELA DIN 125 M20 BICROMATADA
9	CO-061304	CILINDRO DOBLE EFECTO Ø30/60 Z=200 mm NS-PLUS
10	BU-061306	BULÓN Ø 25 X 112 F-114
11	PS-061398	BIELA SUPERIOR CULTIVADOR LAT NS PLUS
12	PS-061399	BIELA INFERIOR CULTIVADOR LAT NS-PLUS
13	CO-061305	CILINDRO DOBLE EFECTO Ø 20/40 Z=75 mm
14	PS-161303-I	BRAZO INFERIOR CULTIVADOR 6M LAT IZQUIERDO
14	PS-161303-D	BRAZO INFERIOR CULTIVADOR 6M LAT DERECHO
14	PS-161305-I	BRAZO INFERIOR CULTIVADOR 5M LAT IZQUIERDO
14	PS-161305-D	BRAZO INFERIOR CULTIVADOR 5M LAT DERECHO
14	PS-161311-I	BRAZO INFERIOR CULTIVADOR 4,5M LAT IZQUIERDO
14	PS-161311-D	BRAZO INFERIOR CULTIVADOR 4,5M LAT DERECHO
14	PS-161310-I	BRAZO INFERIOR CULTIVADOR 4M LAT IZQUIERDO
14	PS-161310-D	BRAZO INFERIOR CULTIVADOR 4M LAT DERECHO
15	PS-061387	CHASIS CULTIVADOR CNTRL NS-PLUS
16	MO-061330	BRAZO CULTIVADOR TRASERO NEUMASEM COMPLETO
17	PS-061394-I	BIELA INFERIOR CULTIVADOR CENTRAL LAT. IZQ.NS-PLUS
17	PS-061394-D	BIELA INFERIOR CULTIVADOR CENTRAL LAT. DER. NS-PLUS



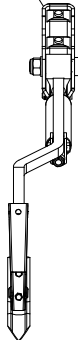
Nº	REFERENCIA	DENOMINACIÓN
18	PS-061393-I	BIELA SUPERIOR CULTIVADOR CENTRAL LATERAL. IZQ NS-PLUS
18	PS-061393-D	BIELA SUPERIOR CULTIVADOR CENTRAL LATERAL. DER NS-PLUS
19	PS-061395	SOPORTE EXTENSIÓN CULTIVADOR CENTRAL NS-PLUS
20	985 14	TUERCA DIN 985 M14
21	125 14 BI	ARANDELA DIN-125 M14 BICROMATADA
22	PS-061396-I	SOPORTE CULTIVADOR LATERAL IZQUIERDO NS-PLUS
22	PS-061396-D	SOPORTE CULTIVADOR LATERAL DERECHO NS-PLUS
23	931 10X35 8.8 B	TORNILLO DIN 931 M-10X35 8.8 BICROMATADO
24	PS-161302	BULÓN BRAZO SUP CULTIVADOR LAT. NS-PLUS-2311
25	PS-161301	SOPORTE APERTURA CONJ LAT CULTIV NS-PLUS-2311
26	933 14X40 8.8 B	TORNILLO DIN 933 M14X40 8.8 BICROMATADO
27	125 30 BI	ARANDELA DIN 125 M30 BICROMATADA
28	933 12X30 8.8 B	TORNILLO DIN 933 M12X30 8.8 BICROMATADO
29	125 12 BI	ARANDELA PLANA DIN 125 12 BICROMATADA
30	BU-061314	BULÓN Ø 25X122 NS PLUS
31	BU-061307	BULÓN Ø25 X 115 TOPE CULT.FLOT. NEUMASEM 08
32	934 12 BI	TUERCA DIN 934 M12 BICROMATADA
33	FE-660009	TOPE GOMA Ø75x25 M12x37
34	985 10	TUERCA DIN 985 M10
35	125 10 BI	ARANDELA PLANA DIN 125 M10 BICROMATADA
36	PS-161304-I	TOPE PLEGADO LAT IZQ CULTIVADOR
36	PS-161304-D	TOPE PLEGADO LAT DER CULTIVADOR
37	931 10X100 8.8 BI	TORNILLO DIN 931 M10X100 8.8 BICROMATADO



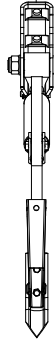
Nº	REFERENCIA	DENOMINACIÓN
1	94 3,5X20 BI	PASADOR DE ALETAS DIN 94 M 3,5X20 BICROMATADO
2	B03-202	BULÓN DE 10X56 ESTAMPADO
3	TS-052801	TORNILLO SOPORTE BRAZO SIEMBRA SM TRATADO
4	985 14	TUERCA DIN 985 M14
5	125 14 BI	ARANDELA DIN-125 M14 BICROMATADA
6	EE-050314	BRIDA"U" SUJECIÓN SOPORTE TRI-194
7	985 20	TUERCA DIN 985 M20
8	125 20 BI	ARANDELA DIN 125 M20 BICROMATADA
9	PL-050302	CASQUILLO ARTICULACIÓN BRAZO
10	MP-907018	MTS. MANGUERA SOLA 30 ANTIESTÁTICA (ROLLO 50 MTS.)
11	ML-051301	CLIP SUJECIÓN TUBO SEMILL NEUMASEM
12	FE-606003	ABRAZADERA 40-60/9 W1 TORRO
13	PL-051300	MANGUITO ACOPLAM.TUBO BOTA NEUMASEM 799
14	PL-050303	REGISTRO BOTA SEMBRADORA DE PLÁSTICO
15	934 9 BI	TUERCA DIN 934 M9 BICROMATADA
16	CO-051302	BOTA SIEMBRA SIN REGISTRO ABOCARDADA
17	R08-11	REJITA RECTA
18	608 9X45	TORNILLO DE ARADO M9X45
19	985 14	TUERCA DIN 985 M14
20	EE-050301	MEDIA CAÑA LARGA TRI 194
21	ML-050300	MUELLE HERRAJE MÁQUINA TRI 8,5 MM.
22	EE-050310	TUBO PROTECTOR MUELLE TRI-194
23	FO-050303	TENSOR DEL HERRAJE TRI
24	CO-050302	SOPORTE BRAZO LISO TRI-194/R
25	PS-2611	BRAZO LISO RECTO TRI 194
25	PS-2611-I	BRAZO LISO DESP/I TRI 194
25	PS-2611-D	BRAZO LISO DESP/D TRI 194



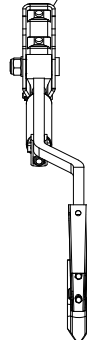
**Brazo despla-
zado
izquierdo**



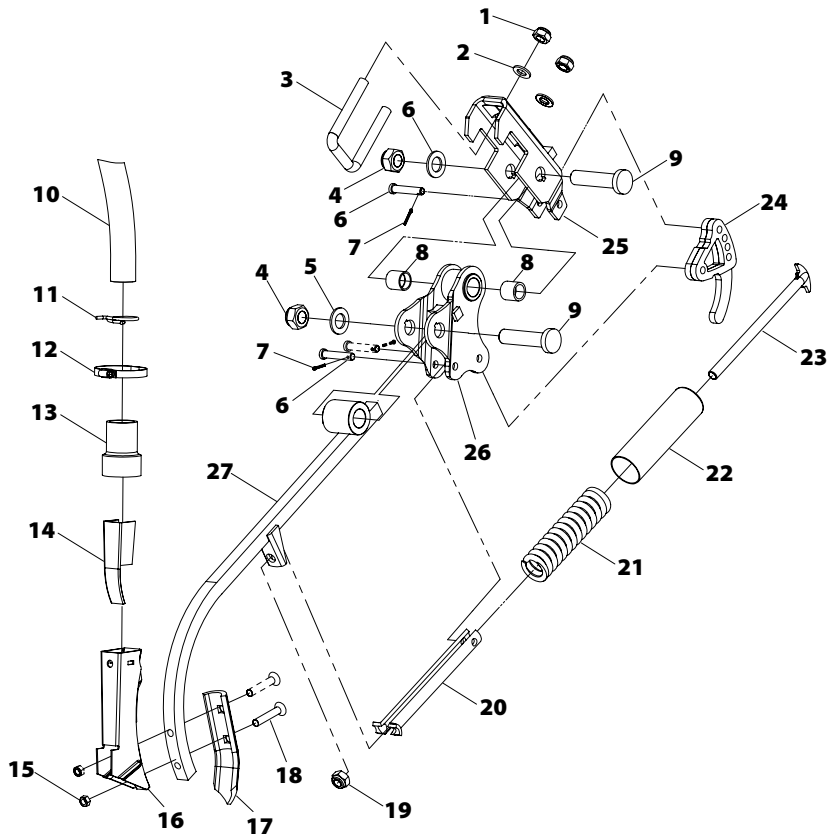
Brazo recto



**Brazo despla-
zado
derecho**



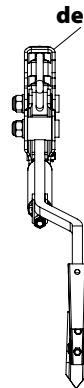
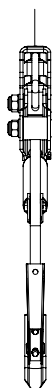
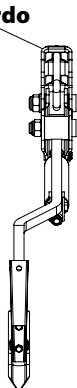
Nº	REFERENCIA	DENOMINACIÓN
1	985 14	TUERCA DIN 985 M14
2	125 14 BI	ARANDELA DIN-125 M14 BICROMATADA
3	EE-050314	BRIDA"U" SUJECIÓN SOPORTE TRI-194
4	985 20	TUERCA DIN 985 M20
5	125 20 BI	ARANDELA DIN 125 M20 BICROMATADA
6	B03-202	BULÓN DE 10X56 ESTAMPADO
7	94 3,5X20 BI	PASADOR DE ALETAS DIN 94 M 3,5X20 BICROMATADO
8	PL-050302	CASQUILLO ARTICULACIÓN BRAZO
9	TS-052801	TORNILLO SOPORTE BRAZO SIEMBRA SM TRATADO
10	MP-907018	MTS. MANGUERA SOLA 30 ANTIESTATICA (ROLLO 50 MTS.)
11	ML-051301	CLIP SUJECIÓN TUBO SEMILL NEUMASEM
12	FE-606003	ABRAZADERA 40-60/9 W1 TORRO
13	PL-051300	MANGUITO ACOPLAM.TUBO BOTA NEUMASEM 799
14	PL-050303	REGISTRO BOTA SEMBRADORA DE PLÁSTICO
15	934 9	TUERCA DIN 934 M8
16	CO-051302	BOTA SEMBRADORA SIN REGIS
17	R08-11	REJITA RECTA
18	608 9X45	TORNILLO DE ARADO M9X45
19	985 14	TUERCA DIN 985 M14
20	EE-050301	MEDIA CAÑA LARGA TRI 194
21	ML-050300	MUELLE HERRAJE MAQUINA TRI 8,5 MM.
22	EE-050310	TUBO PROTECTOR MUELLE TRI-194
23	FO-050303	SENSOR DEL HERRAJE TRI
24	PS-051391	POSICIONADOR BRAZO REGULABLE
25	CO-050302	SOPORTE BRAZO LISO TRI-194/R
26	PS-051390	SOPORTE BRAZO REGULABLE
27	PS-2611	U GUÍA TENSOR MUELLE HERRAJE TRI-194
27	PS-2611-I	BRAZO LISO DESP/I TRI 194
27	PS-2611-D	BRAZO LISO DESP/D TRI 194



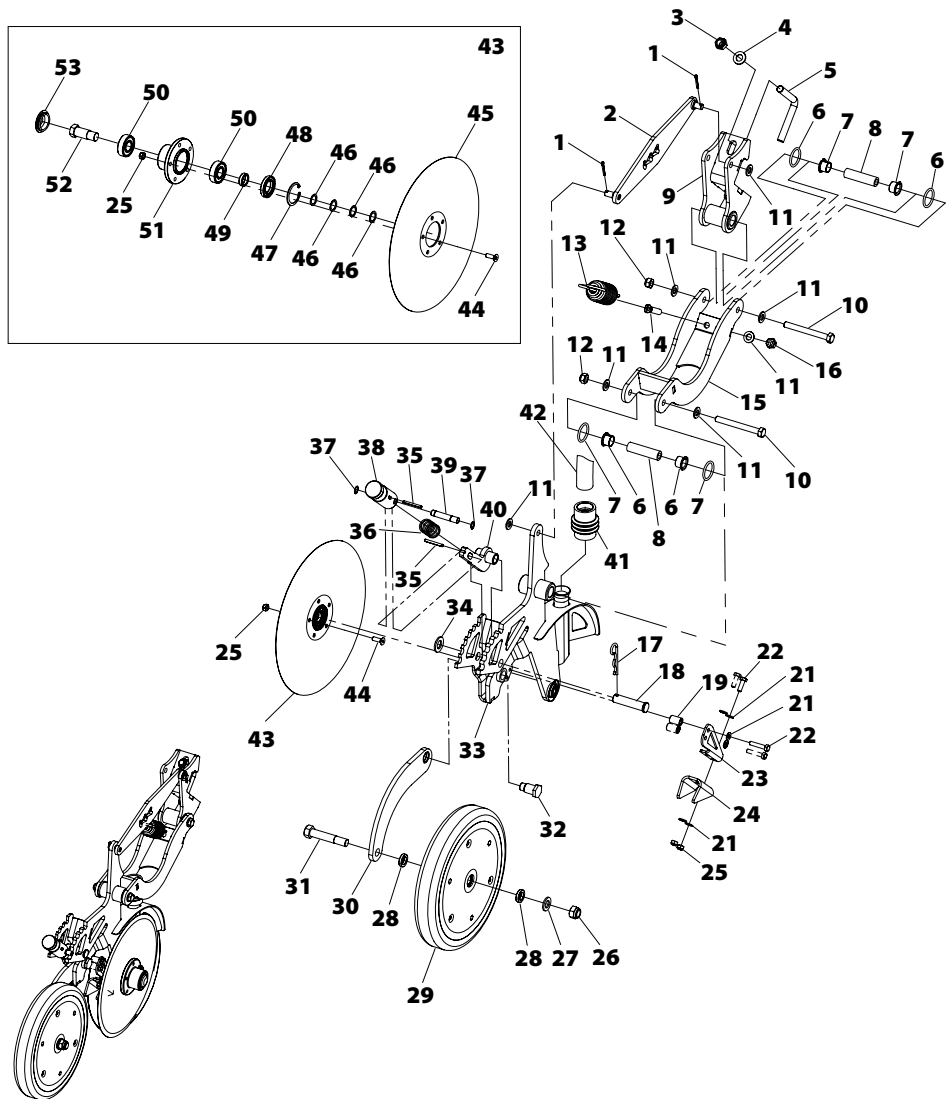
Brazo desplazado izquierdo

Brazo recto

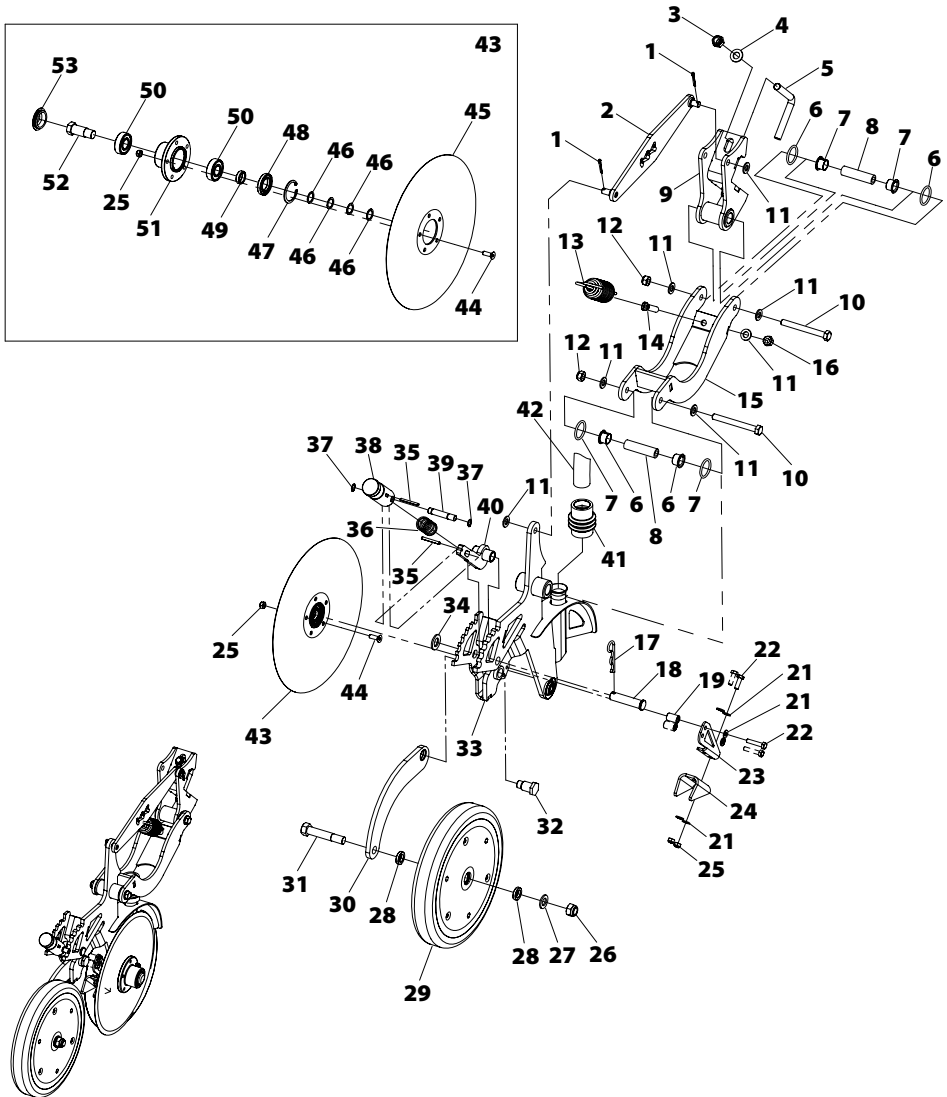
Brazo desplazado derecho



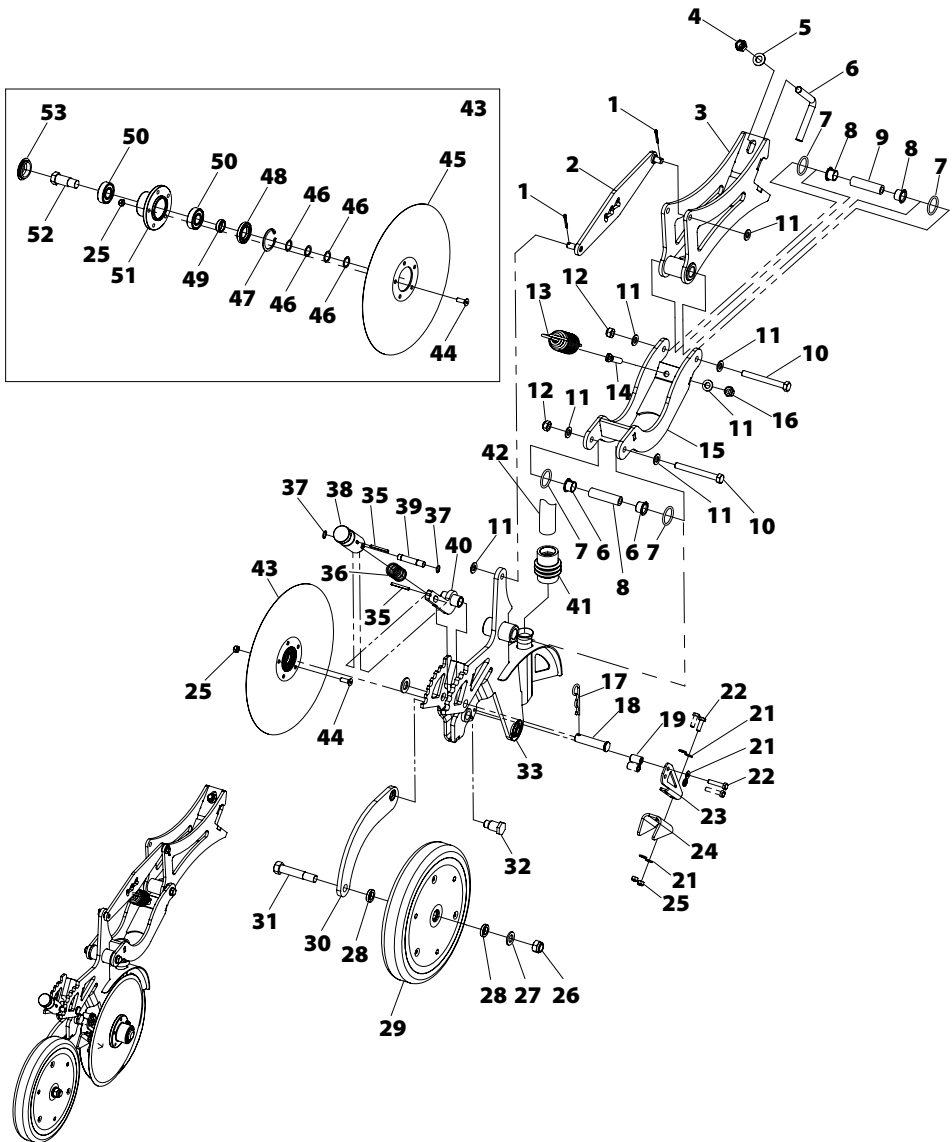
Nº	REFERENCIA	DENOMINACIÓN
1	94 4X30 BI	PASADOR DE ALETAS DIN 94 M 4X30 BICROMATADO
2	PS-051650	BIELA SUPERIOR TRAPECIO BRAZO
3	985 14	TUERCA DIN 985 M14
4	125 14 BI	ARANDELA DIN-125 M14 BICROMATADA
5	EE-051353	ABARCON EN L Ø14 TUBO 60
6	FE-601081	MTS. JUNTA TÓRICA Ø35X4
7	FE-600066	CASQUILLO DE FRICCIÓN 20X23X16.5 CON VALONA
8	ME-051322	TUBO INTERIOR ARTICULACIÓN BRAZO DISCO NEUMASEM
9	PS-051652	SOPORTE CORTO BRAZO SIEMBRA
10	931 12X110 8.8B	TORNILLO DIN 931 12X110 8.8 BICROMATADO
11	125 12 BI	ARANDELA PLANA DIN 125 12 BICROMATADA
12	985 12	TUERCA DIN 985 M12
13	ML-051604	MUELLE BRAZO SIEMBRA DISCO
14	T05-01	TENSOR ROSCA 12X150
15	PS-051651	BIELA INFERIOR TRAPECIO BRAZO
16	985 12-150	TUERCA DIN 985 M12/150
17	FE-610003	PASADOR "R" DE 4 MM
18	ME-051624	BULÓN LEVA CONTROL PROFUNDIDAD
19	ME-051617	CASQUILLO SEPARADOR RASCADOR
20	933 8X25 8.8 B	TORNILLO DIN 933 8X25 8.8 BICROMATADO
21	125 8 BI	ARANDELA PLANA DIN-125 M8 BICROMATADA
22	931 8X40 8.8 B	TORNILLO DIN 931 8X40 8.8 BICROMATADO
23	PX-051680	SOPORTE LIMPIA DISCOS
24	PL-051713	RASCADOR POLIURETANO DISCO ABONADOR
25	985 8	TUERCA DIN 985 M8
26	985 16-150	TUERCA DIN 985 M16/150
27	125 16 BI	ARANDELA DIN 125 M16 BICROMATADA
28	ME-051756	CASQUILLO CENTRADOR EXT. RUEDA COMPAC. PROSEM
29	CO-051619	RUEDA FLEX 318X50 LLANTA PLASTICO ROD K098
30	PS-051659	BRAZO RUEDA CONTROL PROFUNDIDAD



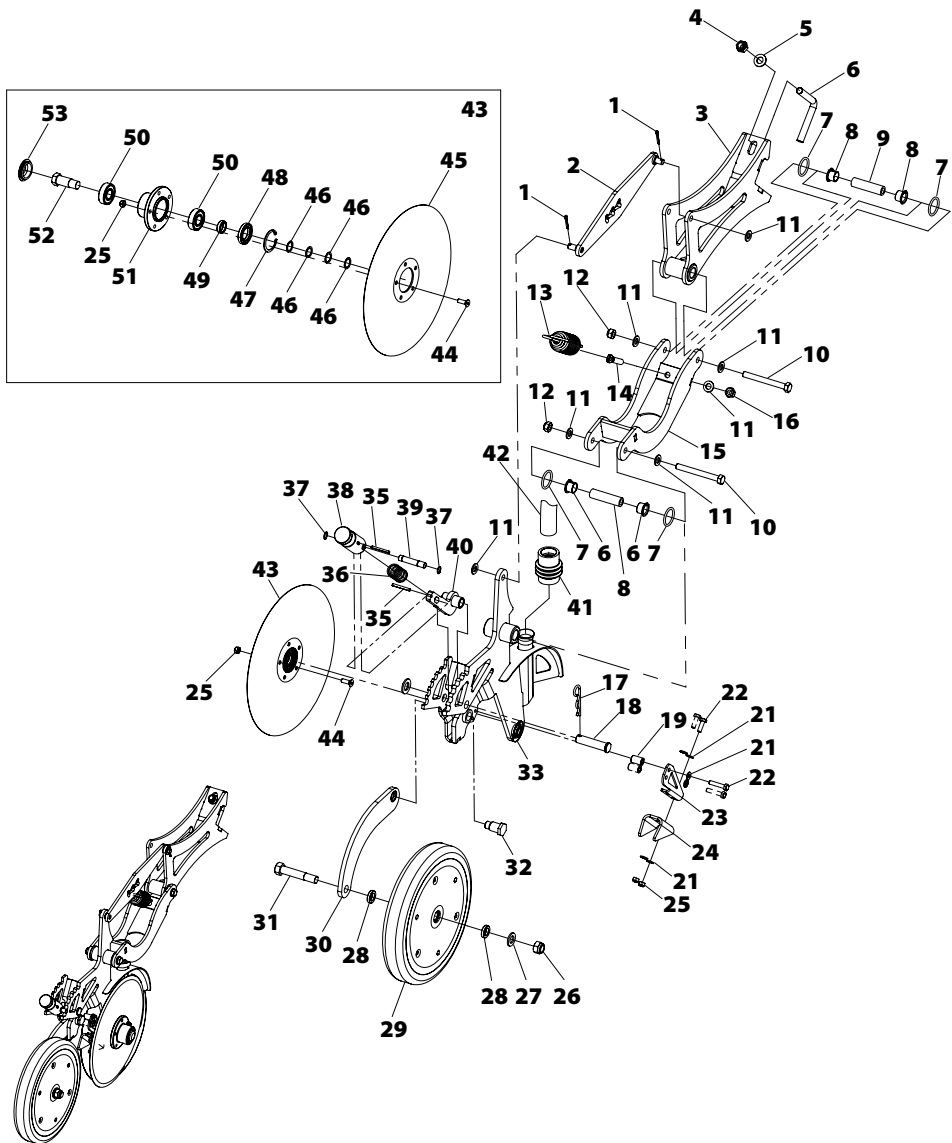
Nº	REFERENCIA	DENOMINACIÓN
31	ME-051753	TORNILLO EJE RUEDAS COMP. DER. PROSEM
32	ME-051606	BULÓN HEXAGONAL BRAZO RUEDA TRASERA ED-1003
33	PS-051661	CHAPA CENTRAL BRAZO DISCO SIEMBRA
34	125 18 BI	ARANDELA DIN 125 M18 BICROMATADA
35	1481 5X45 BI	PASADOR ELÁSTICO DIN 1481 M 5X45 BICROMATADO
36	ML-051622	MUELLE CONTROL PROFUNDIDAD LEVA
37	471 12	ANILLO SAEGER DIN 471 12
38	ME-051626	TIRADOR REGULACIÓN PROFUNDIDAD
39	ME-051625	BULÓN REGULACIÓN CONTROL PROFUNDIDAD
40	PS-051660	LEVA CONTROL DE PROFUNDIDAD
41	PL-051302	FUELLE INFERIOR DISCOS NEUMÁTICA
42	MP-907018	MTS. MANGUERA SOLA 30 ANTIESTÁTICA (ROLLO 50 MTS.)
43	CO-051706	CONJ. DISCO PLANO Ø13,5" + BUJE
44	7991 8X25 10 BI	TORNILLO DIN 7991 M8x25 BICROMATADO
45	EE-051722	DISCO SIEMBRA Ø13,5" 5AGUJ. 2,5CONC.
46	988 18X25X0.5	ARANDELA DE AJUSTE SAEGER DIN 988 18X25X0.5
47	472 47	ANILLO SAEGER DIN 472 47
48	FE-601037	RETÉN DOBLE LABIO Ø 28X47X7
49	ME-051703	CASQUILLO EJE DISCOS SIEMBRA
50	FE-600028	RODAMIENTO 6204 2RS CLASE B
51	ME-051773	BUJE DISCO SIEMBRA PROSEM K
52	ME-051729	TORNILLO EJE DISCO IZQ. SIEMBRA PROSEM K
53	EE-051703	TAPACUBO BUJE DISCO SIEMBRA



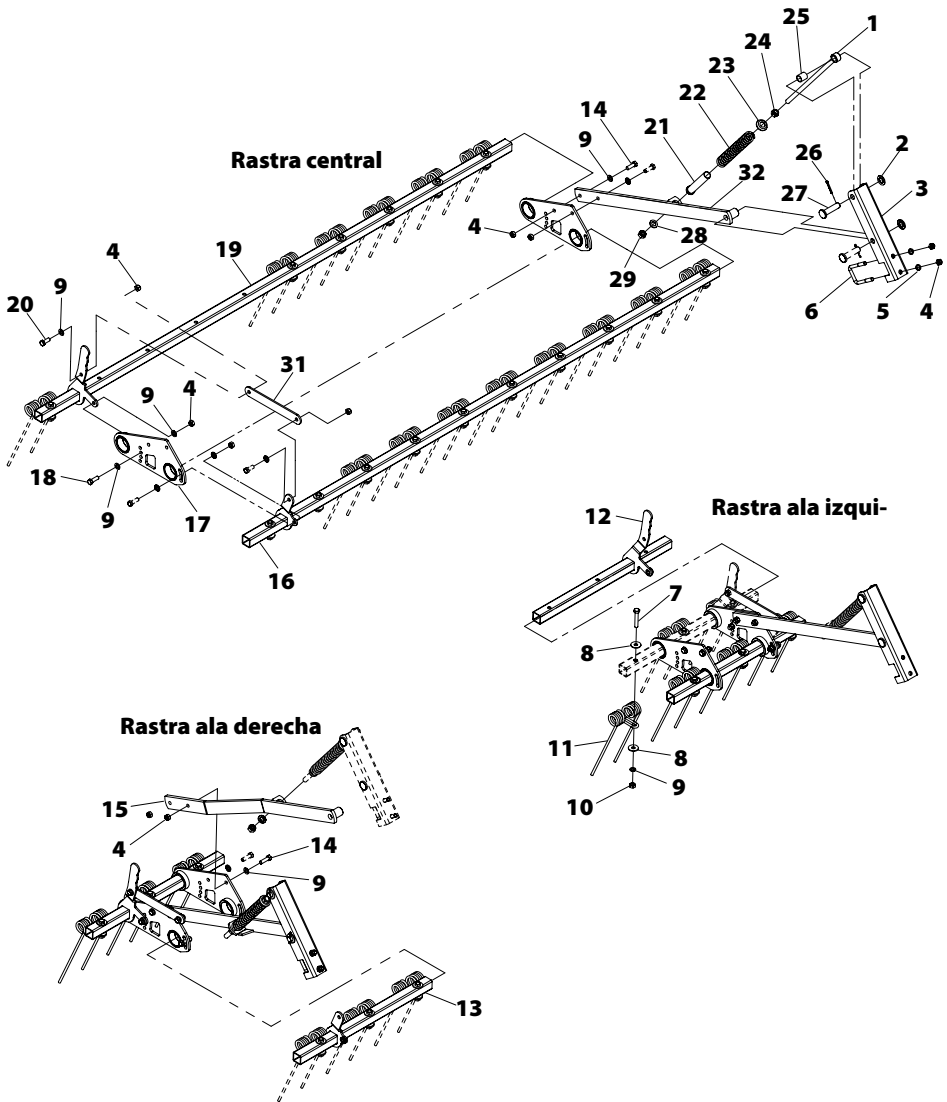
Nº	REFERENCIA	DENOMINACIÓN
1	94 4X30 BI	PASADOR DE ALETAS DIN 94 M 4X30 BICROMATADO
2	PS-051650	BIELA SUPERIOR TRAPECIO BRAZO
3	PS-051649	SOPORTE BRAZO LARGO SIEMBRA
4	985 14	TUERCA DIN 985 M14
5	125 14 BI	ARANDELA DIN-125 M14 BICROMATADA
6	EE-051353	ABARCON EN L Ø14 TUBO 60
7	FE-601081	MTS. JUNTA TÓRICA Ø35X4
8	FE-600066	CASQUILLO DE FRICCIÓN 20X23X16.5 CON VALONA
9	ME-051322	TUBO INTERIOR ARTICULACIÓN BRAZO DISCO NEUMASEM
10	931 12X110 8.8B	TORNILLO DIN 931 12X110 8.8 BICROMATADO
11	125 12 BI	ARANDELA PLANA DIN 125 12 BICROMATADA
12	985 12	TUERCA DIN 985 M12
13	ML-051604	MUELLE BRAZO SIEMBRA DISCO
14	T05-01	TENSOR ROSCA 12X150
15	PS-051651	BIELA INFERIOR TRAPECIO BRAZO
16	985 12-150	TUERCA DIN 985 M12/150
17	FE-610003	PASADOR "R" DE 4 MM
18	ME-051624	BULÓN LEVA CONTROL PROFUNDIDAD
19	ME-051617	CASQUILLO SEPARADOR RASCADOR
20	933 8X25 8.8 B	TORNILLO DIN 933 8X25 8.8 BICROMATADO
21	125 8 BI	ARANDELA PLANA DIN-125 M8 BICROMATADA
22	931 8X40 8.8 B	TORNILLO DIN 931 8X40 8.8 BICROMATADO
23	PX-051680	SOPORTE LIMPIA DISCOS
24	PL-051713	RASCADOR POLIURETANO DISCO ABONADOR
25	985 8	TUERCA DIN 985 M8
26	985 16-150	TUERCA DIN 985 M16/150
27	125 16 BI	ARANDELA DIN 125 M16 BICROMATADA
28	ME-051756	CASQUILLO CENTRADOR EXT. RUEDA COMPAC. PROSEM
29	CO-051619	RUEDA FLEX 318X50 LLANTA PLASTICO ROD K098
30	PS-051659	BRAZO RUEDA CONTROL PROFUNDIDAD



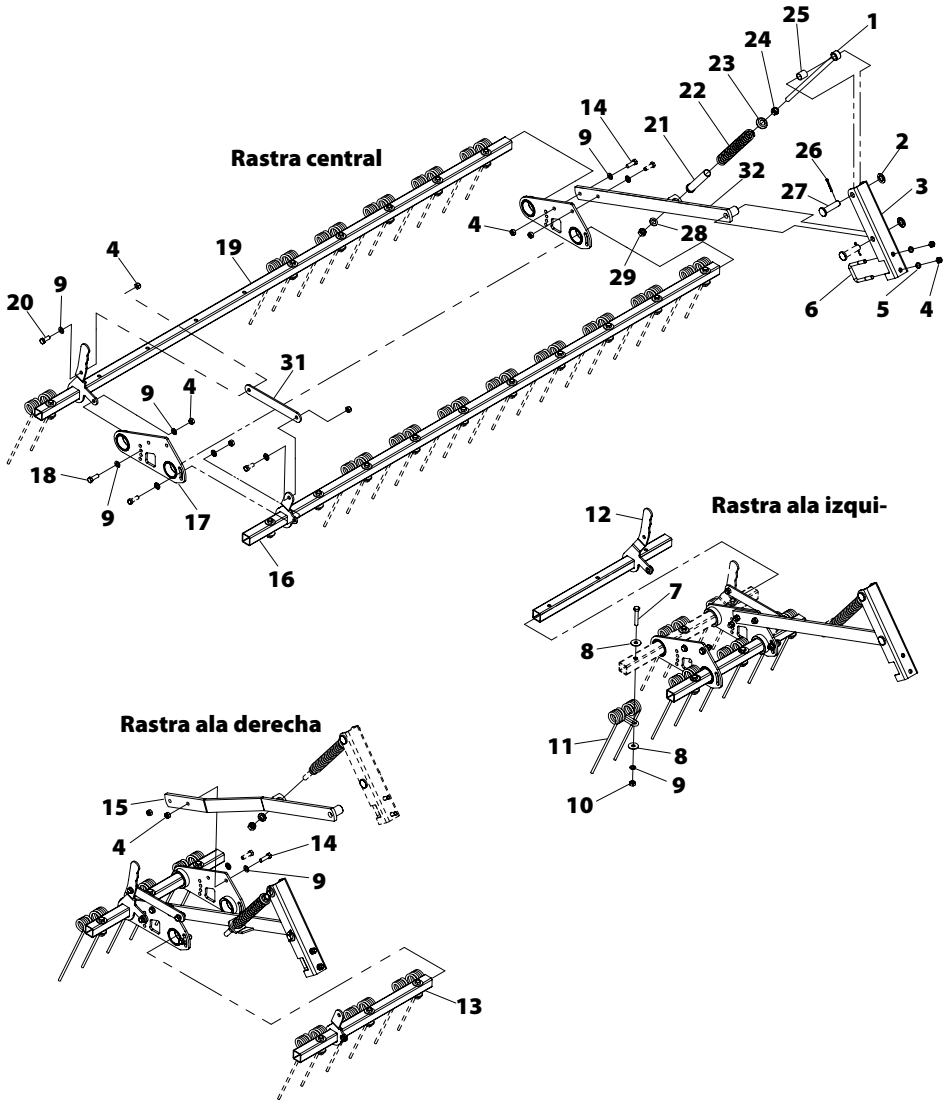
Nº	REFERENCIA	DENOMINACIÓN
31	ME-051753	TORNILLO EJE RUEDAS COMP. DER. PROSEM
32	ME-051606	BULÓN HEXAGONAL BRAZO RUEDA TRASERA ED-1003
33	PS-051661	CHAPA CENTRAL BRAZO DISCO SIEMBRA
34	125 18 BI	ARANDELA DIN 125 M18 BICROMATADA
35	1481 5X45 BI	PASADOR ELÁSTICO DIN 1481 M 5X45 BICROMATADO
36	ML-051622	MUELLE CONTROL PROFUNDIDAD LEVA
37	471 12	ANILLO SAEGER DIN 471 12
38	ME-051626	TIRADOR REGULACIÓN PROFUNDIDAD
39	ME-051625	BULÓN REGULACIÓN CONTROL PROFUNDIDAD
40	PS-051660	LEVA CONTROL DE PROFUNDIDAD
41	PL-051302	FUELLE INFERIOR DISCOS NEUMÁTICA
42	MP-907018	MTS. MANGUERA SOLA 30 ANTIESTÁTICA (ROLLO 50 MTS.)
43	CO-051706	CONJ. DISCO PLANO Ø13,5" + BUJE
44	7991 8X25 10 BI	TORNILLO EJE DISCO IZQ. SIEMBRA PROSEM K
45	EE-051722	TORNILLO EJE DISCO DER. SIEMBRA PROSEM K
46	988 18X25X0.5	ARANDELA DE AJUSTE SAEGER DIN 988 18X25X0.5
47	472 47	ANILLO SAEGER DIN 472 47
48	FE-601037	RETÉN DOBLE LABIO Ø 28X47X7
49	ME-051703	CASQUILLO EJE DISCOS SIEMBRA
50	FE-600028	RODAMIENTO 6204 2RS CLASE B
51	ME-051773	BUJE DISCO SIEMBRA PROSEM K
52	ME-051729	TORNILLO EJE DISCO IZQ. SIEMBRA PROSEM K
53	EE-051703	TAPACUBO BUJE DISCO SIEMBRA



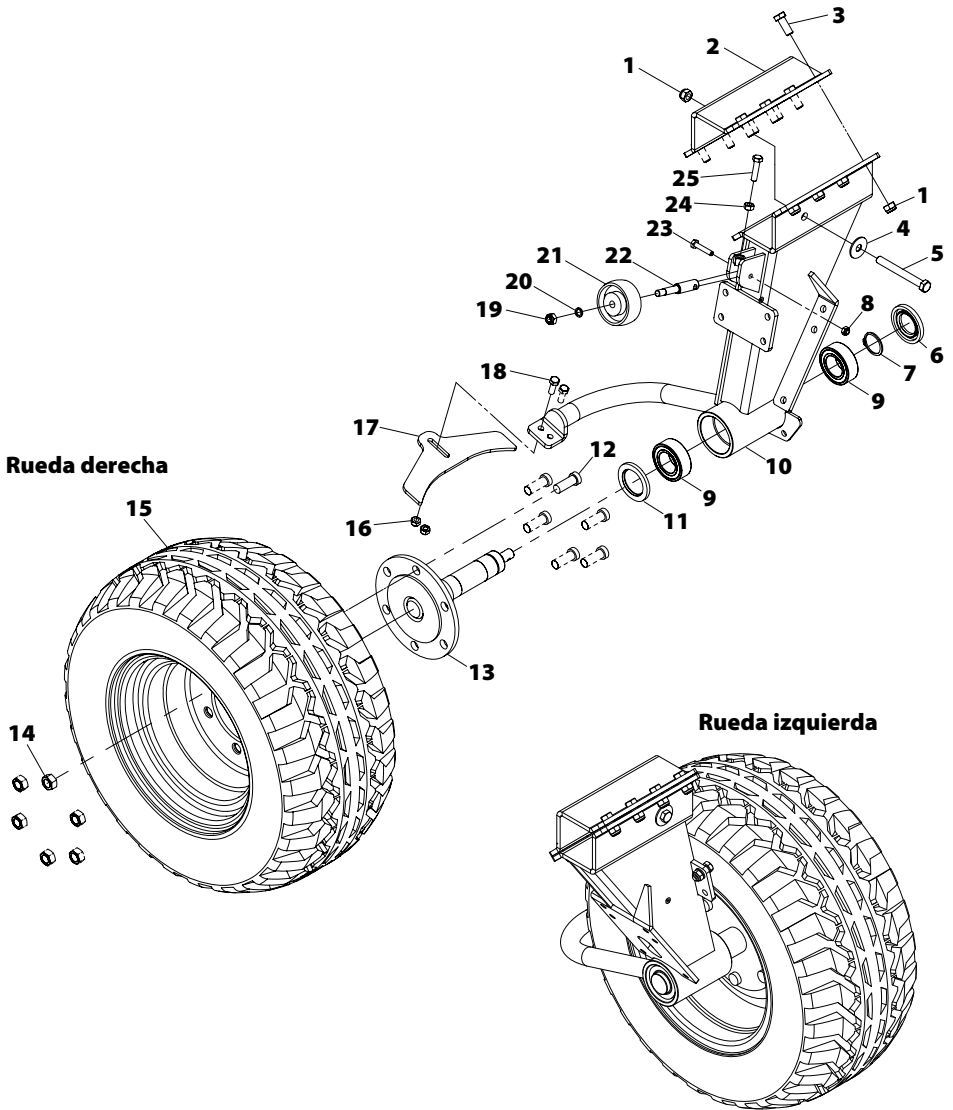
Nº	REFERENCIA	DENOMINACIÓN
1	ME-080302	CASQUILLO TENSOR MUELLE RASTRA EPI-6
2	125 20 BI	ARANDELA DIN 125 M20 BICROMATADA
3	PS-081310	U GUÍA BRAZO RASTRA NEUMASEM 699
4	985 12	TUERCA DIN 985 M12
5	7980 14 BI	ARANDELA GROWER DIN 7980 M 14 BICROMATADA
6	EE-053702	BRIDA CUADRADO 50 LAMUSA NEUMATICA
7	931 12X70 8.8 B	TORNILLO DIN 931 12X70 8.8 BICROMATADO
8	9021 12 BI	ARANDELA DIN 9021 M12 BICROMATADA
9	127 12 BI	ARANDELA GROW DIN 127 M12 BICROMATADA
10	934 12 BI	TUERCA DIN 934 M12 BICROMATADA
11	M01-83	MUELLE DOBLE PUA TRASERA -888
12	PS-081329	BARRA + BIELA I EN RASTRA LATERAL IZQ. 6000 NS-PLUS
12	PS-081331	BARRA + BIELA I EN RASTRA LATERAL DER. 600 NS PLUS
12	PS-081332	BARRA+BIELA I EN RASTRA LATERAL IZQ. 500 NS-PLUS
12	PS-081334	BARRA + BIELA I EN RASTRA LATERAL DER. 500 NS PLUS
12	PS-081336	BARRA+BIELA I EN RASTRA LATERAL IZQ. 450 NS PLUS
12	PS-081338	BARRA+ BIELA I EN RASTRA LATERAL DER. 450 NS PLUS
12	PS-081340	BARRA+BIELA I EN RASTRA LATERAL IZQ. 400 NS PLUS
12	PS-081343	BARRA+BIELA I EN RASTRA LATERAL DER. 400 NS PLUS
13	PS-081328	BARRA + BIELA II EN RASTRA LATERAL IZQ. 600 NS PLUS
13	PS-081330	BARRA + BIELA II EN RASTRA LATERAL DER. 600 NS PLUS
13	PS-081333	BARRA+BIELA II EN RASTRA LATERAL IZQ. 500 NS PLUS
13	PS-081335	BARRA + BIELA II EN RASTRA LATERAL DER. 500 NS PLUS
13	PS-081337	BARRA+ BIELA II EN RASTRA LATERAL IZQ. 450 NS PLUS
13	PS-081339	BARRA+ BIELA II EN RASTRA LATERAL DER. 450 NS-PLUS
13	PS-081341	BARRA+BIELA II EN RASTRA LATERAL IZQ. 400 NS PLUS
13	PS-081342	BARRA+BIELA II EN RASTRA LATERAL DER. 400 NS PLUS
14	933 12X40 8.8 B	TORNILLO DIN 933 M 12X40 8.8 BICROMATADO
15	PS-081323-D	BRAZO RASTRA DESPLAZADO DER. NS-PLUS 400
15	PS-081323-I	BRAZO RASTRA DESPLAZADO IZQ. NS-PLUS 400



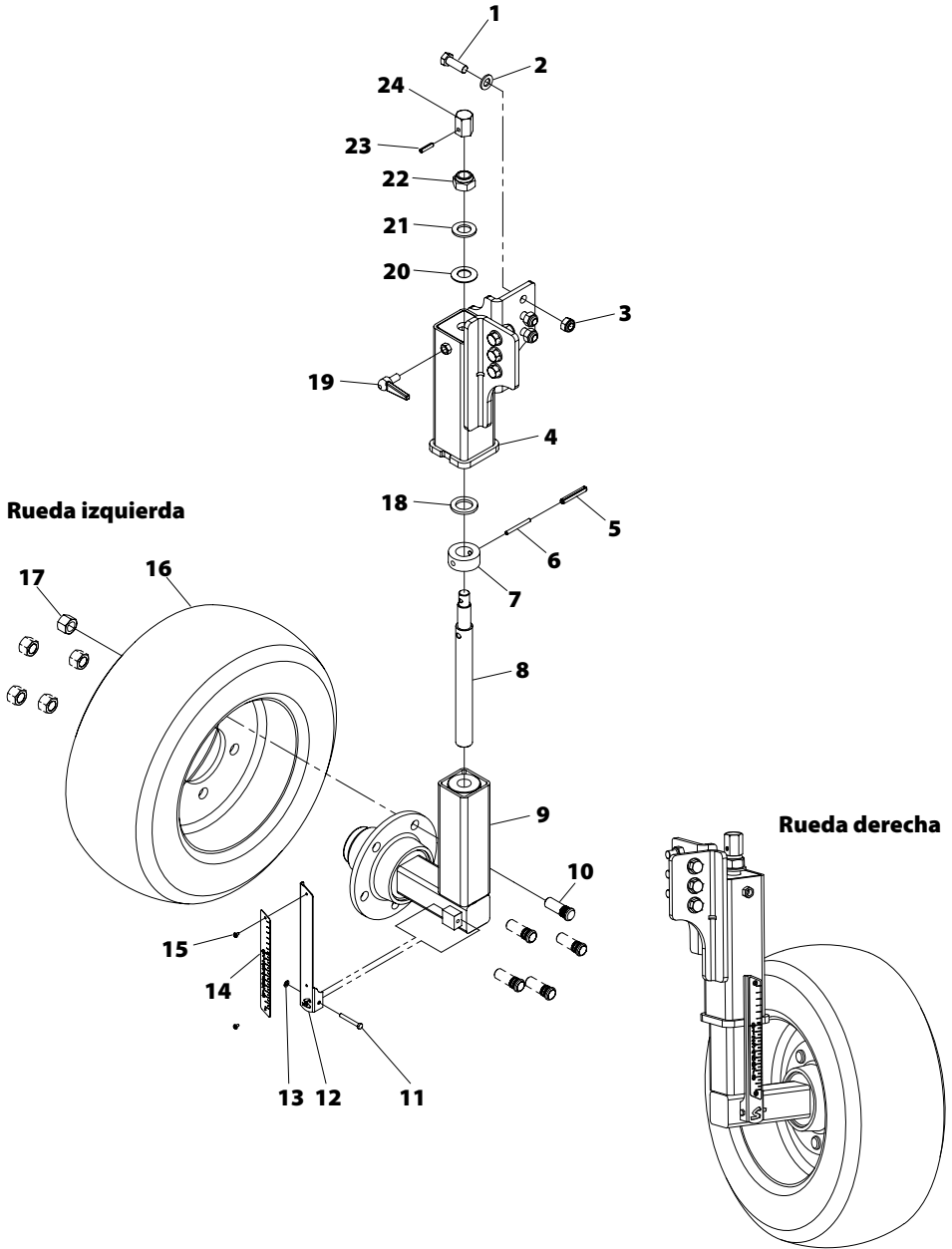
Nº	REFERENCIA	DENOMINACIÓN
16	PS-081326	BARRA + BIELA II EN RASTRA CENTRO NS PLUS
17	PS-081320-D	PIEZA UNIÓN TUBOS-RASTRAS DERECHA NS-PLUS-2311
17	PS-081320-I	PIEZA UNIÓN TUBOS-RASTRAS IZQUIERDA NS-PLUS-2311
18	933 12X45 8.8 B	TORNILLO DIN 933 M-12X45 8.8 BICROMATADO
19	PS-081327	BARRA+BIELA I EN RASTRA CENTRO NS-PLUS
20	933 12X30 8.8 B	TORNILLO DIN 933 M12X30 8.8 BICROMATADO
21	PS-1735	TUBO INTERIOR MUELLE RAST EPI 6
22	ML-080104	MUELLE BRAZO RASTRA
23	T08-23	TAPETA MUELLE 40X20,5 SIEMBRA DIRECTA
24	985 16	TUERCA DIN 985 M16
25	CT-081305	SEPARADOR TENSOR RASTRA RASTRA NEUMASEM
26	94 5X40 BI	PASADOR DE ALETAS DIN 94 M 5X40 BICROMATADO
27	B03-177	BULÓN LARGO 20X78 DEL RASTRILLO
28	125 16 BI	ARANDELA DIN 125 M16 BICROMATADA
29	934 16 BI	TUERCA DIN 934 M16 BICROMATADA
30	PX-081309	TIRANTE DE BIELAS NS-PLUS-2311
31	PS-081311-I	BRAZO RASTRA IZQUIERDA 400/450/500/600
32	PS-081311-D	BRAZO RASTRA DERECHA 400/450/500/600



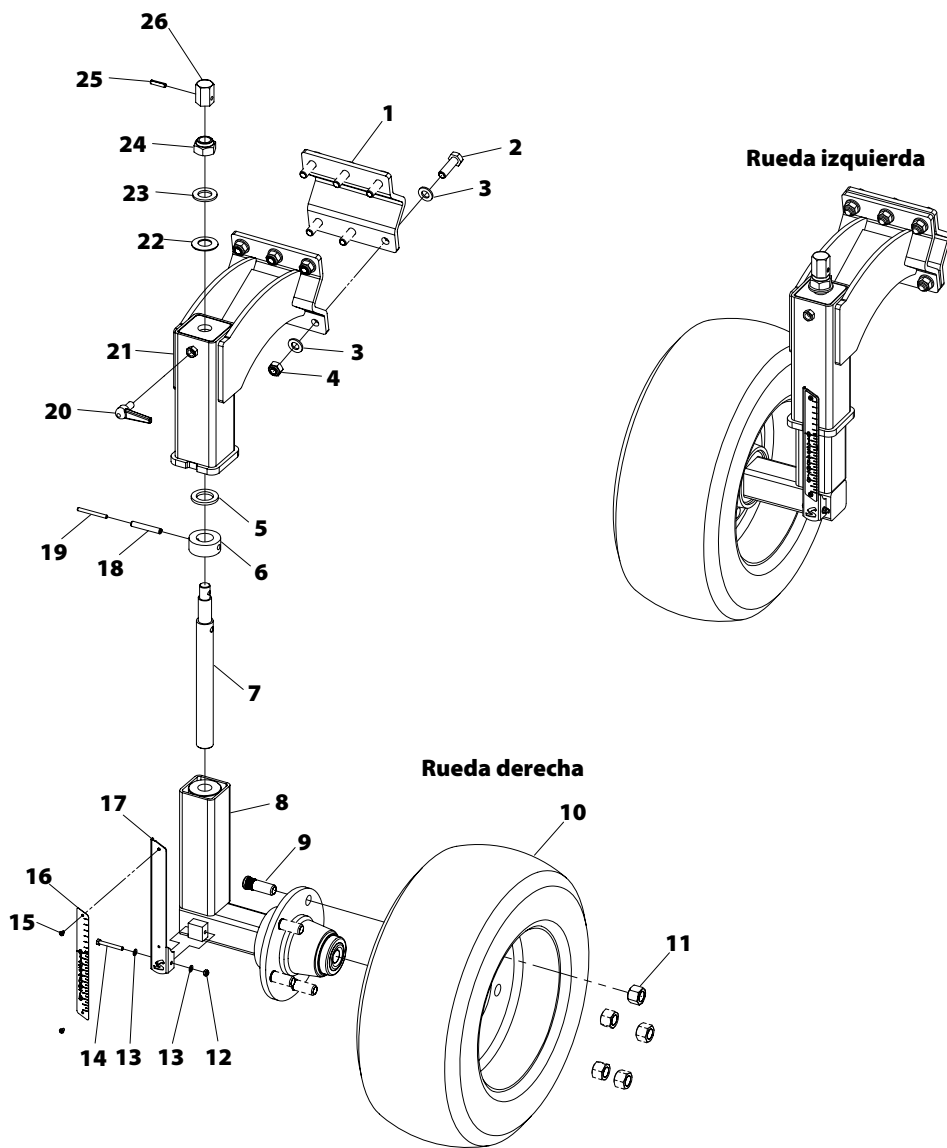
Nº	REFERENCIA	DENOMINACIÓN
1	985 16	TUERCA DIN 985 M16
2	PX-041388-D	BRIDA 100 DIAGONAL 10 E 4 AGUJEROS DERECHA
2	PX-041388-I	BRIDA 100 DIAGONAL 10 E 4 AGUJEROS IZQUIERDA
3	933 16X40 8.8B	TORNILLO DIN 933 M16X40 8.8 BI
4	9021 16 BI	ARANDELA PLANA DIN 9021 M16 BICROMATADO
5	931 16X140 8.8B	TORNILLO DIN 931 16x140 8.8 BICROMATADO
6	FE-601085	RETÉN DOBLE LABIO 50X90X10
7	471 50X3	ANILLO SAEGER REFORZADO DIN-471 Ø50X3MM
8	985 10	TUERCA DIN 985 M10
9	FE-600619	RODAMIENTO 3210-B-2RSR-TVH
10	PS-041385-D	SOPORTE RUEDA Y BRAZO DERERECHO CHASIS
10	PS-041385-I	SOPORTE RUEDA Y BRAZO IZQUIERDO CHASIS
11	FE-601086	RETÉN DOBLE LABIO 60X90X8
12	FE-610020	PERNO M20/150 PARA AGUJERO 22 MM
13	ME-042816-D	MANGUETA LARGA SOLDADA DERECHA
13	ME-042816-I	MANGUETA LARGA SOLDADA IZQUIERDA
14	917 20-150 BI	TUERCA CÓNICA DIN 917 M20/150 BICROMATADO
15	CO-041300	RUEDA 340/55-16 TL 133 A8 FLOTATION COMPLETA
16	985 12	TUERCA DIN 985 M12
17	PX-041338	PLETINA RASCADOR NEUMASEM
18	931 12X35 8.8B	TORNILLO DIN 931 12X35 8.8 BICROMATADO
19	985 14	TUERCA DIN 985 M14
20	PX-042808	ARANDELA ESPESOR Ø20x14x3
21	CN-850070	RUEDA POLIAMIDA Ø100XØ15X40 C/RODAMIENTOS
22	ME-042810	EJE FRENO RUEDA
23	931 10X50 8.8B	TORNILLO DIN 931 10X50 8.8 BICROMATADO
24	934 12 BI	TUERCA DIN 934 M12 BICROMATADO
25	933 12X50 8.8B	TORNILLO DIN 933 M12X50 8.8 BICROMATADO



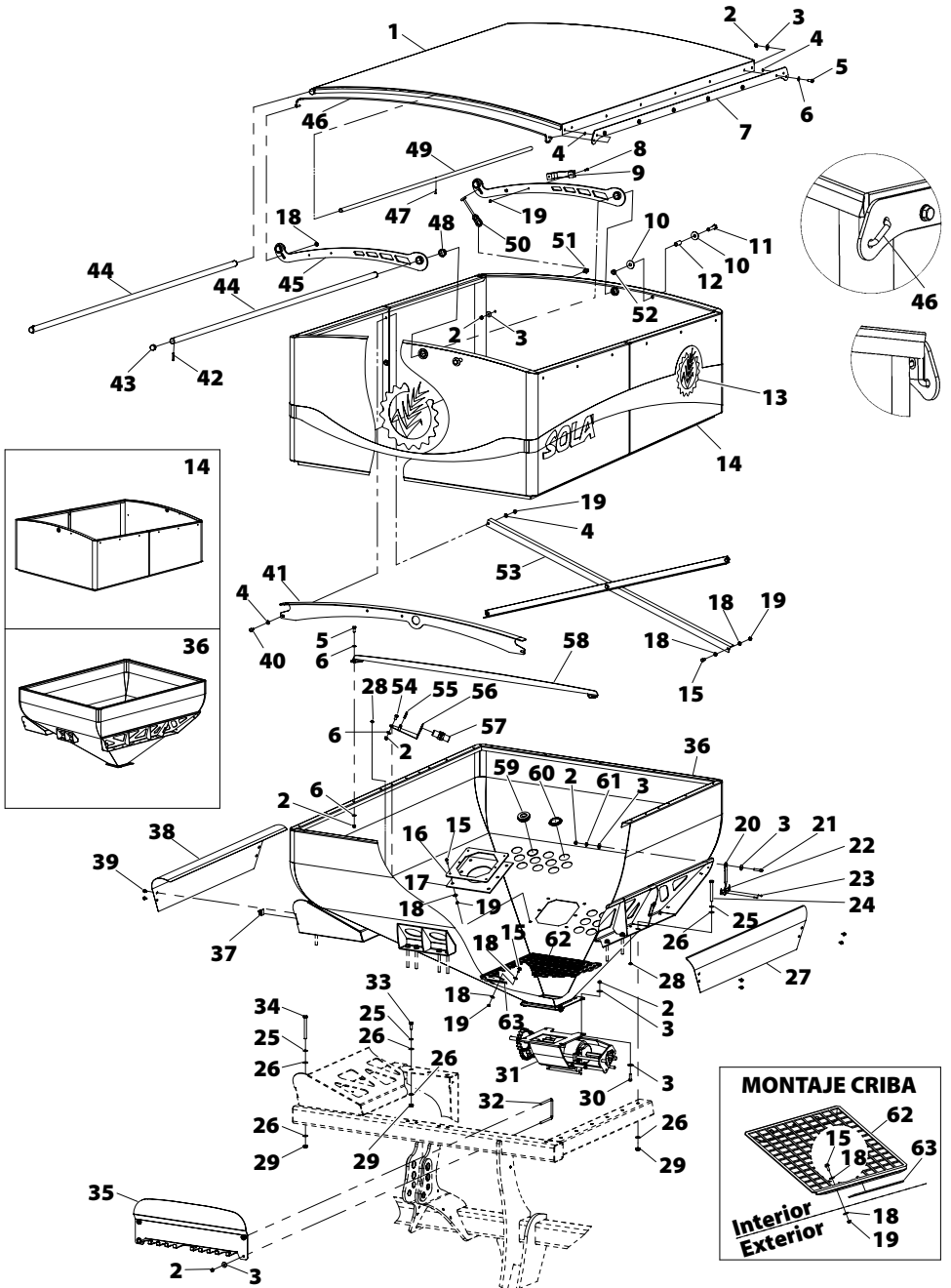
Nº	REFERENCIA	DENOMINACIÓN
1	933 12X35 8.8 B	TORNILLO DIN 933 M 12X35 8.8 BICROMATADO
2	125 12 BI	ARANDELA PLANA DIN 125 12 BICROMATADA
3	985 12	TUERCA DIN 985 M12
4	PS-101384/I	SOPORTE RUEDA CONTROL DE PROF IZQDA NS-PLUS-2311
4	PS-101384/D	SOPORTE RUEDA CONTROL DE PROF DER. NS-PLUS-2311
5	1481 8X50 BI	PASADOR ELÁSTICO DIN 1481 M 8X50 BICROMATADO
6	1481 5x50 BI	PASADOR ELÁSTICO DIN 1481 M 5X50 BICROMATADO
7	T06-35	TOPE HUSILLO PIE
8	ME-102800	HUSILLO RUEDA LATERAL
9	PS-102820	TUBO INT. RUEDA LATERAL C/HUSILLO
10	FE-614000	PERNO M-16/150 PARA TUERCA CONICA BUJE
11	931 5X40 8.8 BI	TORNILLO DIN 931 M-5X40 8,8 BICROMATADO
12	PX-102809	CHAPA NIVEL RUEDA LATERAL
13	125 5 BI	ARANDELA PLANA DIN-125 M5 BICROMATADA
14	AD-102800	NIVEL CONTROL PROFUNDIDAD RUEDA LATERAL
15	FE-602001	REMACHE ALUMINIO 3,2X6
16	CO-102801	RUEDA 18X7"-8" COMPLETA 14PR 1320 KG
17	917 16-150 BI	TUERCA CÓNICA DIN 917 M16/150 BICROMATADA
18	A02-27	ARANDELA HUSILLO NIVELAD. EURO
19	FE-614016	TORNILLO C/ MANGO PROSEM P
20	2093 40X20,4X1	ARANDELA DIN 2093 Ø40XØ20,4X1
21	125 20 BI	ARANDELA DIN 125 M20 BICROMATADA
22	985 20-150	TUERCA DIN 985 M20/150
23	1481 6x25 BI	PASADOR ELÁSTICO DIN 1481 M 6X25 BICROMATADO
24	ME-102801	FINAL REGULACIÓN HUSILLO



Nº	REFERENCIA	DENOMINACIÓN
1	PX-101370	BRIDA DIAGONAL PARA TUBO 50
2	933 12X40 8.8 B	TORNILLO DIN 933 M 12X40 8.8 BICROMATADO
3	125 12 BI	ARANDELA PLANA DIN 125 12 BICROMATADO
4	985 12	TUERCA DIN 985 M12
5	A02-27	ARANDELA HUSILLO NIVELAD. EURO
6	T06-35	TOPE HUSILLO PIE
7	ME-102800	HUSILLO RUEDA LATERAL
8	PS-102820	TUBO INT. RUEDA LATERAL C/HUSILLO
9	FE-614000	PERNO M-16/150 PARA TUERCA CONICA BUJE
10	CO-102801	RUEDA 18X7"-8" COMPLETA 14PR 1320 KG
11	917 16-150 BI	TUERCA CONICA DIN 917 M16/150 BICROMATADA
12	985 5	TUERCA DIN 985 M5 BICROMATADO
13	125 5 BI	ARANDELA PLANA DIN-125 M5 BICROMATADA
14	931 5X40 8.8 BI	TORNILLO DIN 931 M-5X40 8,8 BICROMATADO
15	FE-602001	REMACHE ALUMINIO 3,2X6
16	AD-102800	NIVEL CONTROL PROFUNDIDAD RUEDA LATERAL
17	PX-102809	CHAPA NIVEL RUEDA LATERAL
18	1481 8X50 BI	PASADOR ELÁSTICO DIN 1481 M 8X50 BICROMATADO
19	1481 5x50 BI	PASADOR ELÁSTICO DIN 1481 M 5X50 BICROMATADO
20	FE-614016	TORNILLO C/ MANGO PROSEM P
21	PS-201327	SOP. RUEDA CONTROL DE PROFUND. DISCOS
22	2093 40X20,4X1	ARANDELA DIN 2093 Ø40XØ20,4X1
23	125 20 BI	ARANDELA DIN 125 M20 BICROMATADA
24	985 20-150	TUERCA DIN 985 M20/150
25	1481 6x25 BI	PASADOR ELÁSTICO DIN 1481 M 6X25 BICROMATADO
26	ME-102801	FINAL REGULACIÓN HUSILLO



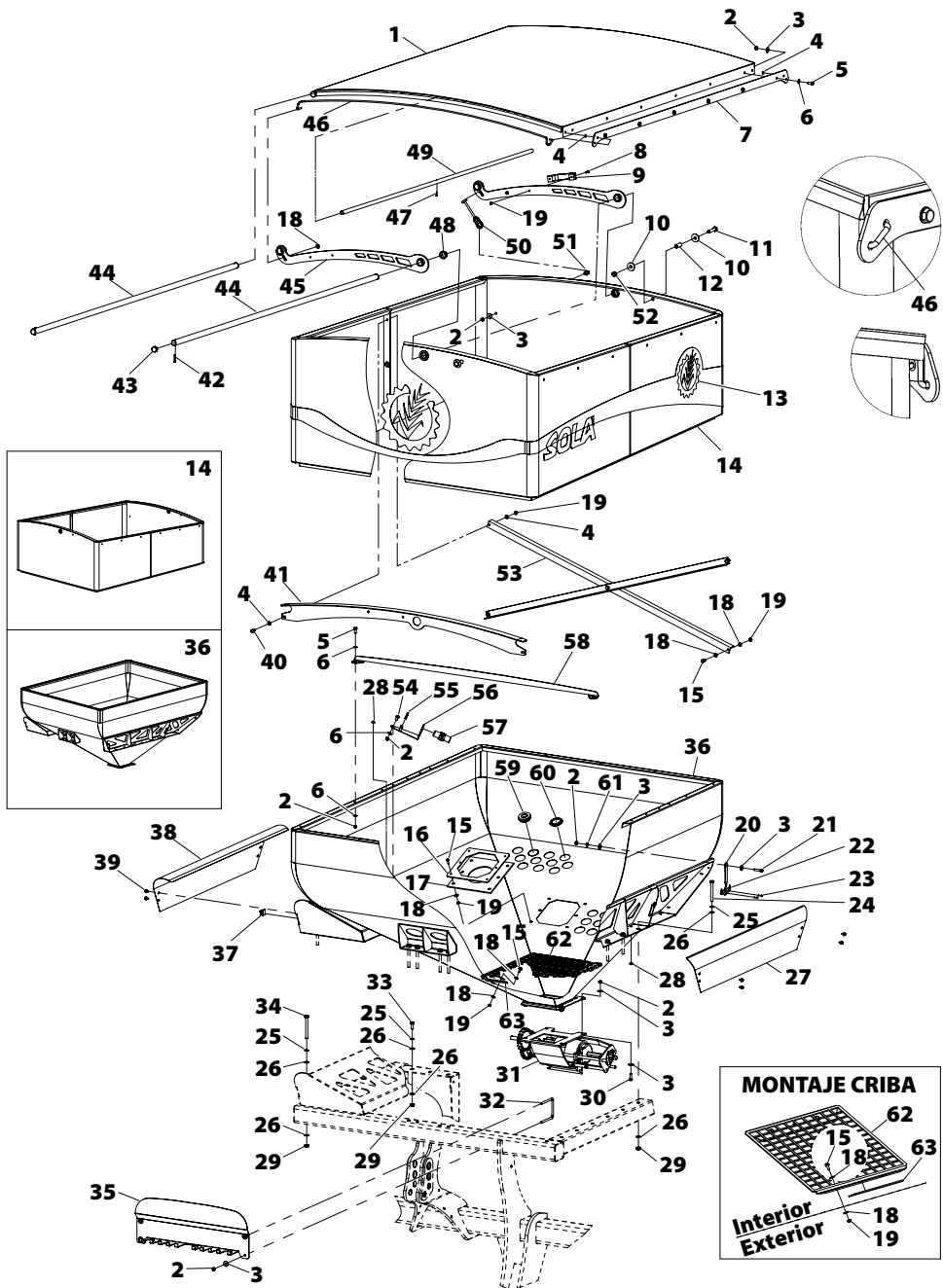
Nº	REFERENCIA	DENOMINACIÓN
1	MV-032800	LONA TOLVA SM-1909
2	985 8	TUERCA DIN 985 M8
3	9021 8 BI	ARANDELA PLANA DIN 9021 M8 BICROMATADO
4	125 6 BI	ARANDELA PLANA DIN 125 M6 BICROMATADA
5	933 8X20 8.8 B	TORNILLO DIN 933 M8X20 8.8 BICROMATADO
6	125 8 BI	ARANDELA PLANA DIN-125 M8 BICROMATADA
7	PX-022835	PLETINA LARGA FIJACIÓN LONA
8	912 6X20 8.8 B	TORNILLO DIN 912 M6X20 8.8 BICROMATADO
9	FE-614044	MANILLA MFE/117 Ø6,5
10	9021 12 BI	ARANDELA DIN 9021 M12 BICROMATADA
11	933 12X60 8.8 BI	TORNILLO DIN 933 12X60 8.8 BICROMATADO
12	CT-032801	SEPARADOR TOPE BRAZO LONA
13	AD-071312	CONJUNTO ADHESIVOS NS-PLUS-2311
14	PS-022801	ALZA SUPERIOR TOLVA SM-1909 920 L
14	PS-021309	ALZA SUPERIOR TOLVA NS-PLUS-2311 1600L
15	933 6X20 8.8 B	TORNILLO DIN 933 M6X20 8.8 BICROMATADO
16	PX-022830	CIERRE UNIÓN TOLVA SM-1909
17	PL-022800	GOMA UNIÓN TUBO TOLVA Ø135
18	9021 6 BI	ARANDELA PLANA DIN 9021 M6 BICROMATADO
19	985 6	TUERCA DIN 985 M6
20	PX-072802	AGUJA NIVEL MÁQUINA
21	912 8X35 8.8 BI	TORNILLO DIN 912 M8X35 8.8 BICROMATADO
22	PX-072820	ESCALA NIVEL MÁQUINA
23	FE-602013	REMACHE ALUMINIO Ø3,2X20
24	931 10X90 8.8 B	TORNILLO DIN 931 M10X90 8.8 BICROMATADO
25	127 10 BI	ARANDELA GROWER DIN 127 M 10 BICROMATADA
26	125 10 BI	ARANDELA PLANA DIN 125 M10 BICROMATADO
27	PX-072816	TAPA IZQ. EMBELLECEDOR TOLVA SOLDADA
28	CN-803290	ARO PASACABLE Ø 6,4 CHAPA 9,5
29	985 10	TUERCA DIN 985 M10



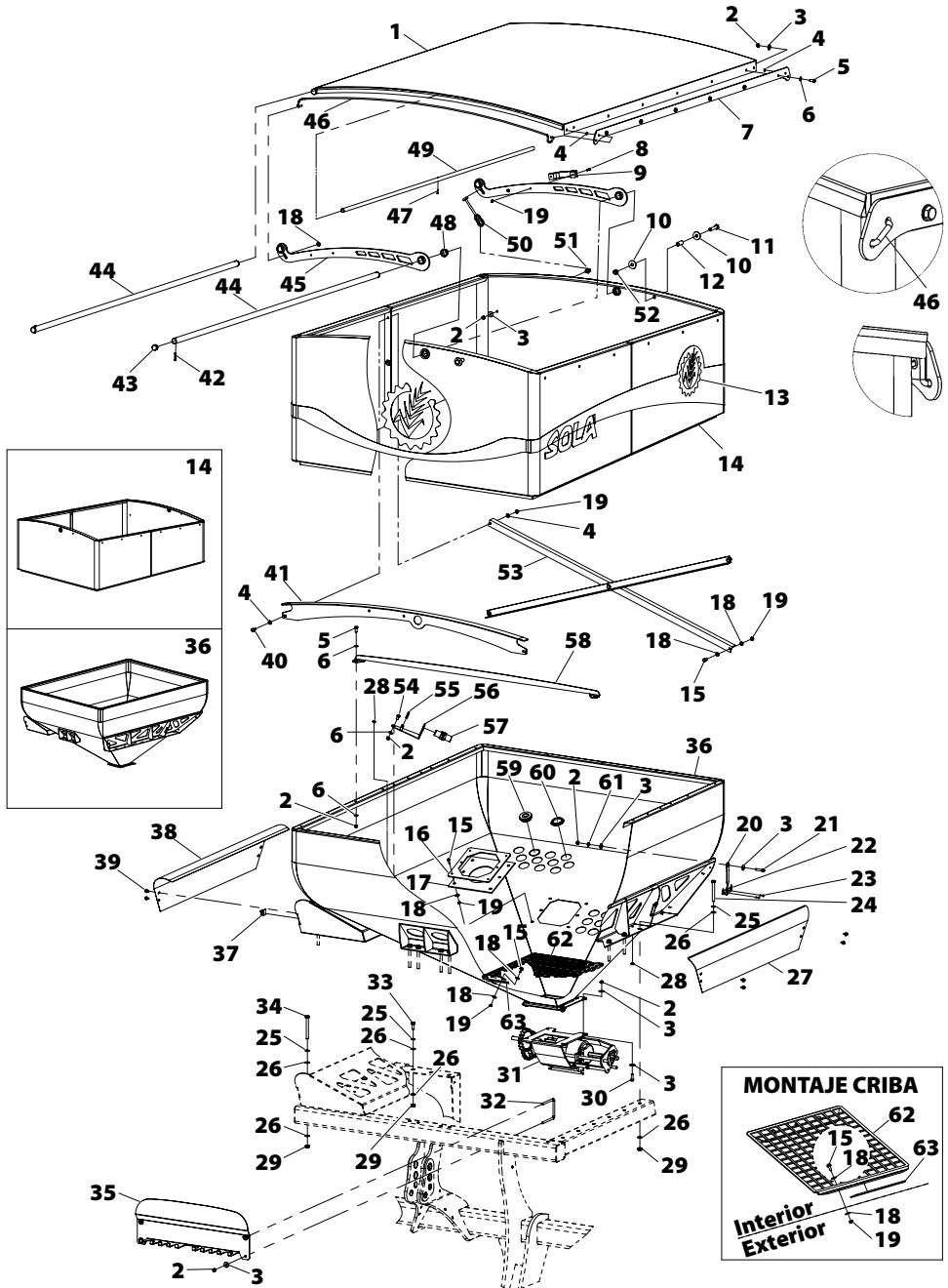
MONTAJE CRIBA

Interior 18
Exterior 19

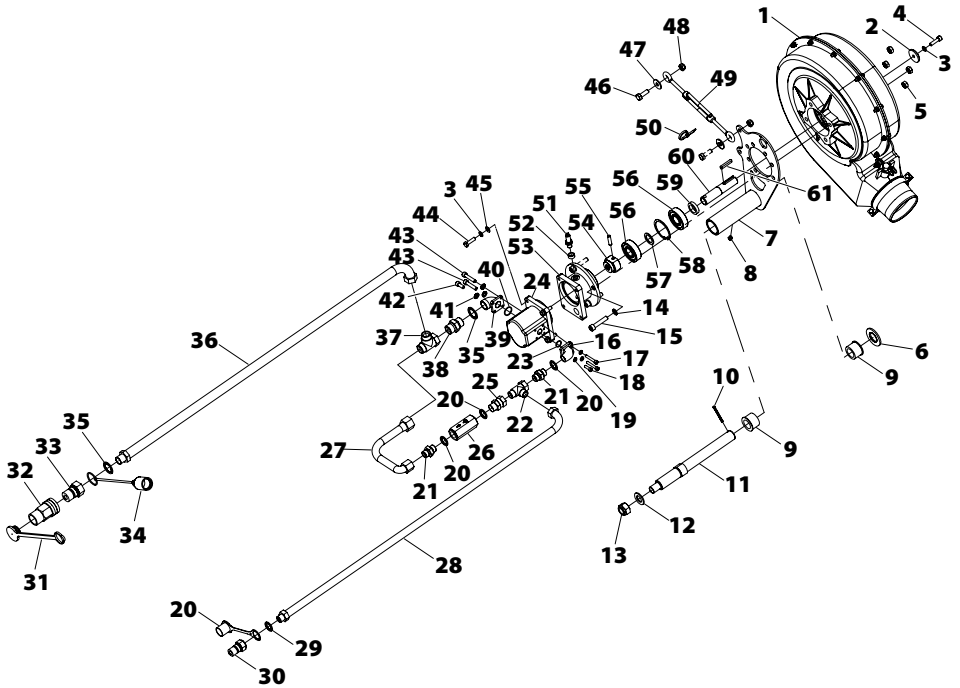
Nº	REFERENCIA	DENOMINACIÓN
30	933 8x25 8.8 B	TORNILLO DIN 933 8X25 8.8 BICROMATADO
31	CT-042806	DOSIFICADOR SEMILLA COMPLETO SM-1909 MISTRAL
32	EE-071700	BRIDA "U" 80 M8 PROSEM
33	933 10x25 8.8 B	TORNILLO DIN 933 M10X25 8.8 BICROMATADO
34	931 10X100 8.8B	TORNILLO DIN 931 10X100 8.8 BICROMATADO
35	PX-072814	EMBELLECEDOR CARGADOR LATIGUÍALLOS
36	PS-022800	CONO INFERIOR TOLVA SM-1909 1080 L
37	FE-606007	ABRAZADERA AUTOADHESIVA 7,9-10,3 - SR-1789/460307
38	PX-072815	TAPA DER. EMBELLECEDOR TOLVA SOLDADA
39	6921 6X10 8.8 B	TORNILLO DIN 6921 M6X10 8.8 BICROMATADO
40	933 6X25 8.8 B	TORNILLO 933 M 6X25 8.8 BICROMATADO
41	PS-022802	ARCO CENTRAL TOLVA
42	1481 6X35 BI	PASADOR ELÁSTICO DIN 1481 M 6X35 BICROMATADO
43	FE-611018	TAPÓN PLÁSTICO NEGRO Ø25 e=3
44	TA-032800	TUBO TAPA TOLVA
45	PS-032801	PALANCA APERTURA LONA
46	VA-032802	GOMA AJUSTE LATERALES LONA
47	FE-602013	REMACHE ALUMINIO Ø3,2X20
48	FE-600018	CASQUILLO DE FRICCIÓN 25/28/16,5
49	TA-022807	VARILLA CENTRAL LONA
50	PL-031300	GOMA CIERRE TAPA TOLVA
51	ME-021702	TETÓN SUJECCIÓN TAPA TOLVA NEUMASEM
52	985 12	TUERCA DIN 985 M12
53	TA-022810	ANGULO CRUZ TOLVA
54	933 8X16 8.8 B	TORNILLO DIN 933 M 8X16 8.8 BICROMATADO
55	FE-606013	BRIDA NYLON 4,8X200
56	PX-101358	SOPORTE SENSOR NIVEL TOLVA NEUMASEM
57	FE-650026	SENSOR CAPACITIVO NIVEL TOLVA RDS
58	PX-022812	TIRANTE SIMPLE TOLVA
59	PL-021301	PASAMANGUERAS TOLVA NEUMASEM



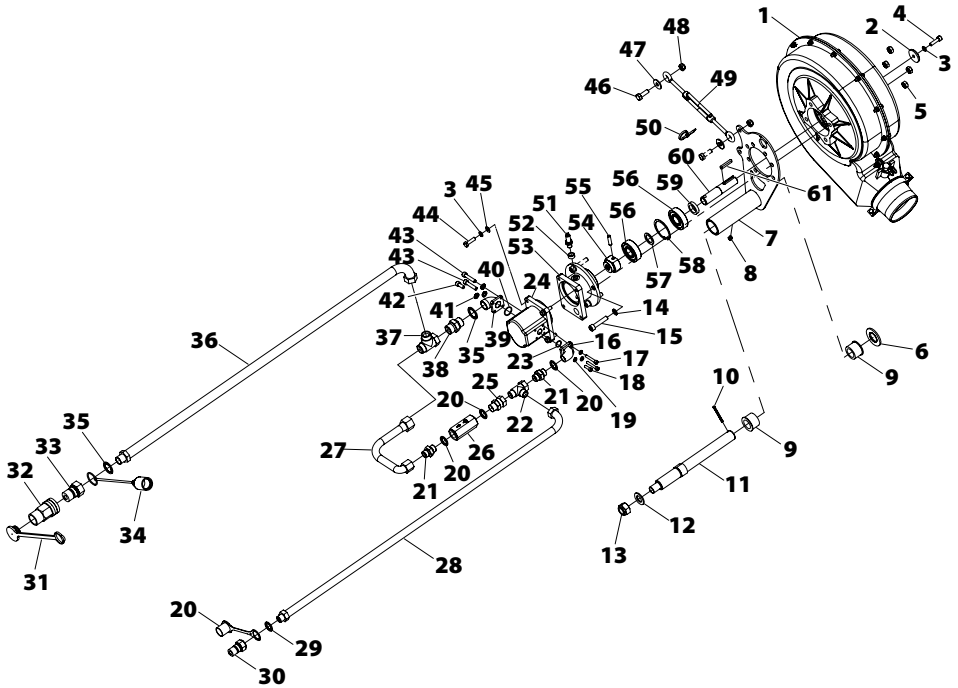
N°	REFERENCIA	DENOMINACIÓN
60	PL-021300	TAPÓN AGUJERO PASAMANGUERAS NEUMASEM
61	PL-072800	CASQUILLO 16X12X8
62	PX-022832	CHAPA CRIBA SM-1909
63	VA-032800	ESPUMA CRIBA SM-1909



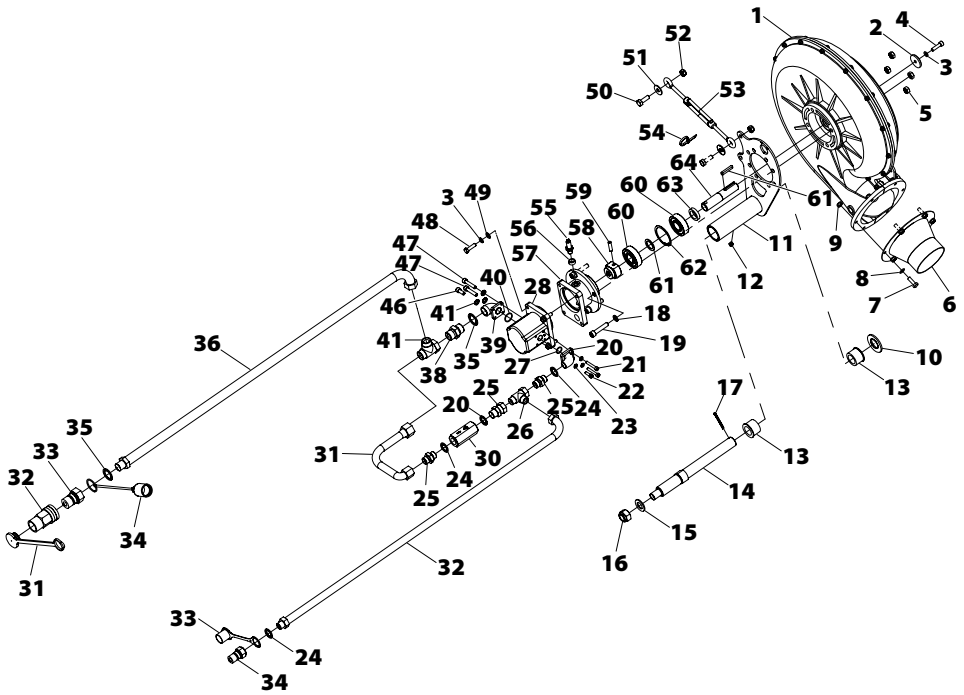
Nº	REFERENCIA	DENOMINACIÓN
1	CO-041310	TURBINA MECÁNICA MISTRAL SIN BUJE
2	ME-041351	ARANDELA 40X8.5X6
3	127 8 BI	ARANDELA DIN 127 M8 BICROMATADO
4	912 8X30 8,8 BI	TORNILLO ALLEN DIN 912 M10x50 8.8 BICROMATADO
5	934 10	TUERCA DIN 934 M10
6	125 30 BI	ARANDELA DIN 125 M30 BICROMATADO
7	PS-042814	SOPORTE TURBINA HIDRÁULICA
8	FE-603001	ENGRASADOR RECTO M-6
9	PL-041306	CASQ. DE FRICCIÓN Ø40x28x26 C/VALONA
10	94 5X40 BI	PASADOR DE ALETAS DIN 94 M 5X40 BICROMATADO
11	ME-042801	EJE SOPORTE TURBINA HIDRÁULICA
12	125 20 BI	ARANDELA DIN 125 M20 BICROMATADO
13	985 20	TUERCA DIN 985 M20
14	127 10 BI	ARANDELA GROWER DIN 127 M 10 BICROMATADO
15	912 10X50 8,8 BI	TORNILLO ALLEN DIN 912 M10x50 8.8 BICROMATADO
16	HI-708045	BRIDA ACODADA ROSCA B 1/2"-30
17	912 6X40	TORNILLO ALLEN DIN 912 M6X40
18	912 6X20	TORNILLO ALLEN DIN 912 M6X20
19	127 6 BI	ARANDELA DIN 127 M6 BICROMATADO
20	HI-705002	ARANDELA METALBUNA 1/2"
21	HI-704004	RACOR UNIÓN MF1/2-MF1/2
22	HI-703001	RACOR T MF1/2-MF1/2-HG1/2 LATERAL
23	FE-601091	JUNTA TÓRICA Ø 16X2
24	HI-708022	MOTOR HIDRÁULICO 8.3 CM3
25	HI-704021	RACOR UNIÓN TL1/2"-M1/2"
26	HI-706018	VÁLVULA UNIDIRECCIONAL DE 1/2"
27	HI-700153	TUBO R2AT 1/2" L=0,250 M H90°G1/2" - HG3/4"
28	HI-700151	TUBO R2AT 5/8" L=2M M 1/2"-H90°G 1/2"
29	HI-707001	PROTECTOR P/ACOPLAMIENTO HIDR. RÁPIDO HEMBRA 1/2
30	HI-701013	ENCHUFE RÁPIDO DE PUNZÓN MACHO 1/2"



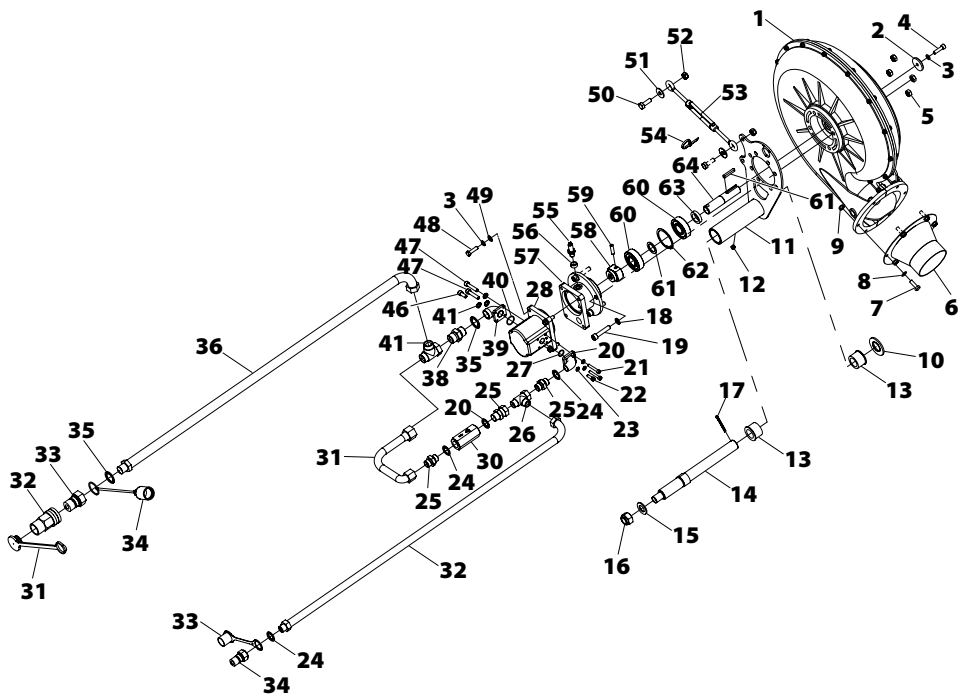
Nº	REFERENCIA	DENOMINACIÓN
31	HI-707010	TAPÓN M PARA HEMBRA ENCHUFE RÁPIDO 3/4"
32	HI-701015	ENCHUFE RÁPIDO DE PUNZÓN HEMBRA 3/4"
33	HI-701014	ENCHUFE RÁPIDO DE PUNZÓN MACHO 3/4"
34	HI-707011	TAPÓN H PARA MACHO ENCHUFE RÁPIDO 3/4"
35	HI-705004	ARANDELA METALBUNA 3/4"
36	HI-700152	TUBO R1AT 5/8" L=2M M 3/4"-H90°G 3/4"
37	HI-703011	RACOR T MF3/4-MF3/4-HG3/4 LATERAL
38	HI-704012	RACOR UNIÓN MF3/4"MF3/4"
39	HI-708046	BRIDA ACODADA ROSCA B 3/4"-40
40	FE-601092	JUNTA TÓRICA Ø 24X2
41	127 8 BI	ARANDELA DIN 127 M8 BICROMATADA
42	912 8X20	TORNILLO ALLEN DIN 912 M8X20
43	912 8X40	TORNILLO ALLEN DIN 912 M8X40
44	933 8X30 8.8B	TORNILLO DIN 933 M8X30 8.8 BICROMATADO
45	125 8 BI	ARANDELA PLANA DIN-125 M8 BICROMATADA
46	933 10X30 8.8 B	TORNILLO DIN 933 M10X30 8.8 BICROMATADO
47	9021 10 BI	ARANDELA DIN 9021 M10 BICROMATADA
48	985 10	TUERCA DIN 985 M10
49	FE-613015	SENSOR M10 CON AGUJERO Ø14 L=213/296
50	FE-606013	BRIDA NYLON 4,8X200
51	FE-650025	SENSOR INDUCTIVO TURBINA RDS
52	ME-041335	ANILLO SENSOR TURBINA NEUMASEM
53	ME-041346	BUJE ADAPTADOR MOTOR HIDR. TURBINA NEUMASEM
54	ME-041347	ADAPTADOR EJE MOTOR-TURBINA NEUMASEM
55	7343 8X32	PASADOR ELÁSTICO ESPIRAL DIN 7343 8X32
56	FE-600078	RODAMIENTO 6305 2RS CLASE A
57	ME-041349	ARANDELA 25X36X2.2
58	472 62	ANILLO SAEGER DIN 472 62
59	ME-041350	SEPARADOR 22X36X8
60	ME-041360	EJE TURBINA HIDRÁULICA D.320 MISTRAL
61	6885-A 6X6X35	CHAVETA DIN 6885-A 6X6X35



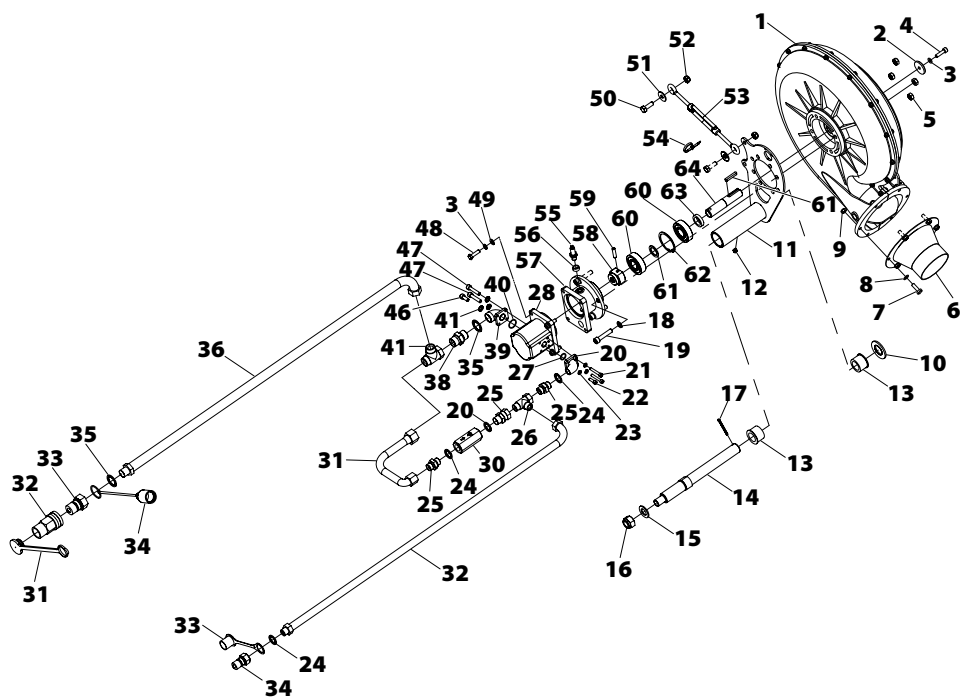
Nº	REFERENCIA	DENOMINACIÓN
1	CO-041502	TURBINA D320 MISTRAL SIN BUJE
2	ME-041351	ARANDELA 40X8.5X6
3	127 8 BI	ARANDELA DIN 127 M8 BICROMATADA
4	912 8X30 8,8 BI	TORNILLO DIN M8X30 8.8 BICROMATADO
5	934 10	TUERCA DIN 934 M10
6	PS-041335	TOBERA ADAPTADOR TURBINA Ø135/Ø100
7	933 8x25 8.8 B	TORNILLO DIN 933 8X25 8.8 BICROMATADO
8	125 8 BI	ARANDELA PLANA DIN-125 M8 BICROMATADA
9	985 8	TUERCA DIN 985 M8
10	125 30 BI	ARANDELA DIN 125 M30 BICROMATADA
11	PS-042814	SOPORTE TURBINA HIDRÁULICA
12	FE-603001	ENGRASADOR RECTO M-6
13	PL-041306	CASQ. DE FRICCIÓN Ø40x28x26 C/VALONA
14	ME-042801	EJE SOPORTE TURBINA HIDRÁULICA
15	125 20 BI	ARANDELA DIN 125 M20 BICROMATADA
16	985 20	TUERCA DIN 985 M20
17	94 5X40 BI	PASADOR DE ALETAS DIN 94 M5X40 BICROMATADO
18	127 10 BI	ARANDELA GROWER DIN 127 M10 BICROMATADA
19	912 10X50 8,8 BI	TORNILLO DIN M10X50 8.8 BICROMATADO
20	HI-708045	BRIDA ACODADA ROSCA B 1/2"-30
21	912 6X40	TORNILLO ALLEN DIN 912 M6X40
22	912 6X20	TORNILLO ALLEN DIN 912 M6X20
23	127 6 BI	ARANDELA DIN 127 M6 BICROMATADA
24	HI-705002	ARANDELA METALBUNA 1/2"
25	HI-704004	RACOR UNIÓN MF1/2-MF1/2
26	HI-703001	RACOR T MF1/2-MF1/2-HG1/2 LATERAL
27	FE-601091	JUNTA TÓRICA Ø 16X2
28	HI-708022	MOTOR HIDRÁULICO 8.3 CM3
29	HI-704021	RACOR UNIÓN TL1/2"-M1/2"
30	HI-706018	VÁLVULA UNIDIRECCIONAL DE 1/2"



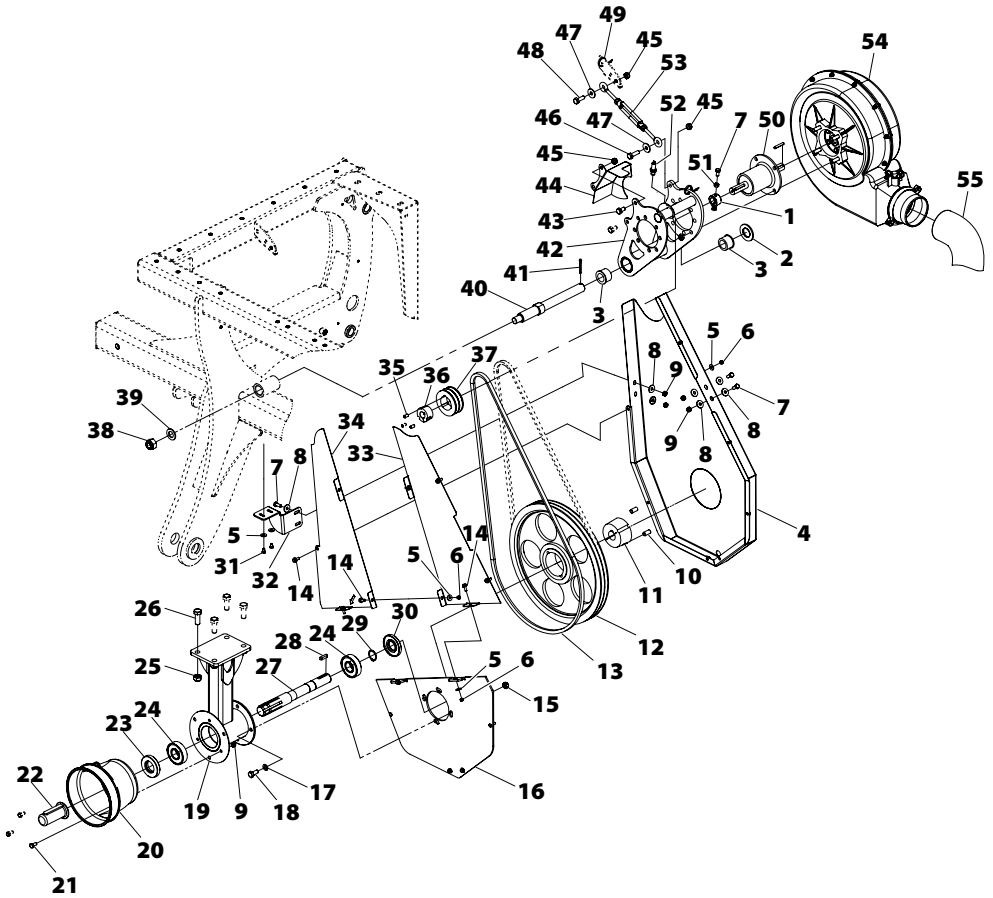
Nº	REFERENCIA	DENOMINACIÓN
31	HI-700153	TUBO R2AT 1/2" L=0,250 M H90°G1/2" - HG3/4"
32	HI-700151	TUBO R2AT 5/8" L=2M M 1/2"-H90°G 1/2"
33	HI-707001	PROTECTOR P/ACOPLAMIENTO HIDR. RÁPIDO HEMBRA 1/2
34	HI-701013	ENCHUFE RÁPIDO DE PUNZÓN MACHO 1/2"
35	HI-707010	TAPÓN M PARA HEMBRA ENCHUFE RÁPIDO 3/4"
36	HI-701015	ENCHUFE RÁPIDO DE PUNZÓN HEMBRA 3/4"
37	HI-701014	ENCHUFE RÁPIDO DE PUNZÓN MACHO 3/4"
38	HI-707011	TAPÓN H PARA MACHO ENCHUFE RÁPIDO 3/4"
39	HI-705004	ARANDELA METALBUNA 3/4"
40	HI-700152	TUBO R1AT 5/8" L=2M M 3/4"-H90°G 3/4"
41	HI-703011	RACOR T MF3/4-MF3/4-HG3/4 LATERAL
42	HI-704012	RACOR UNIÓN MF3/4"MF3/4"
43	HI-708046	BRIDA ACODADA ROSCA B 3/4"-40
44	FE-601092	JUNTA TÓRICA Ø 24X2
45	127 8 BI	ARANDELA DIN 127 M8 BICROMATADA
46	912 8X20	TORNILLO ALLEN DIN 912 M8X20
47	912 8X40	TORNILLO ALLEN DIN 912 M8X40
48	933 8X30 8.8B	TORNILLO DIN 933 M8X30 8.8 BICROMATADO
49	125 8 BI	ARANDELA PLANA DIN-125 M8 BICROMATADA
50	933 10X30 8.8 B	TORNILLO DIN 933 M10X30 8.8 BICROMATADO
51	9021 10 BI	ARANDELA DIN 9021 M10 BICROMATADA
52	985 10	TUERCA DIN 985 M10
53	FE-613015	TENSOR M10 CON AGUJERO Ø14 L=213/296
54	FE-606013	BRIDA NYLON 4,8X200
55	FE-650025	SENSOR INDUCTIVO TURBINA RDS
56	ME-041335	ANILLO SENSOR TURBINA NEUMASEM
57	ME-041346	BUJE ADAPTADOR MOTOR HIDR. TURBINA NEUMASEM
58	ME-041347	ADAPTADOR EJE MOTOR-TURBINA NEUMASEM
59	7343 8X32	PASADOR ELÁSTICO ESPIRAL DIN 7343 8X32
60	FE-600078	RODAMIENTO 6305 2RS CLASE A



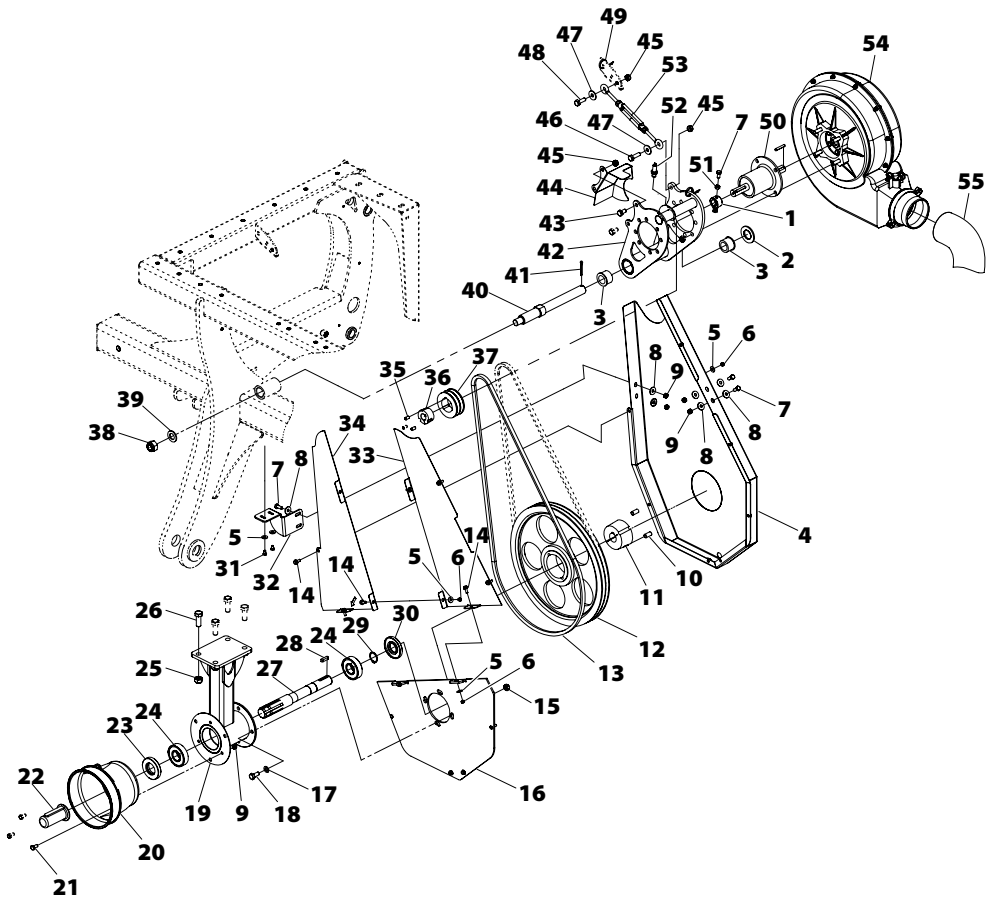
Nº	REFERENCIA	DENOMINACIÓN
61	ME-041349	ARANDELA 25X36X2.2
62	472 62	ANILLO SAEGER DIN 472 62
63	ME-041350	SEPARADOR 22X36X8
64	ME-041360	EJE TURBINA HIDRÁULICA D.320 MISTRAL
65	6885-A 6X6X35	CHAVETA DIN 6885-A 6X6X35



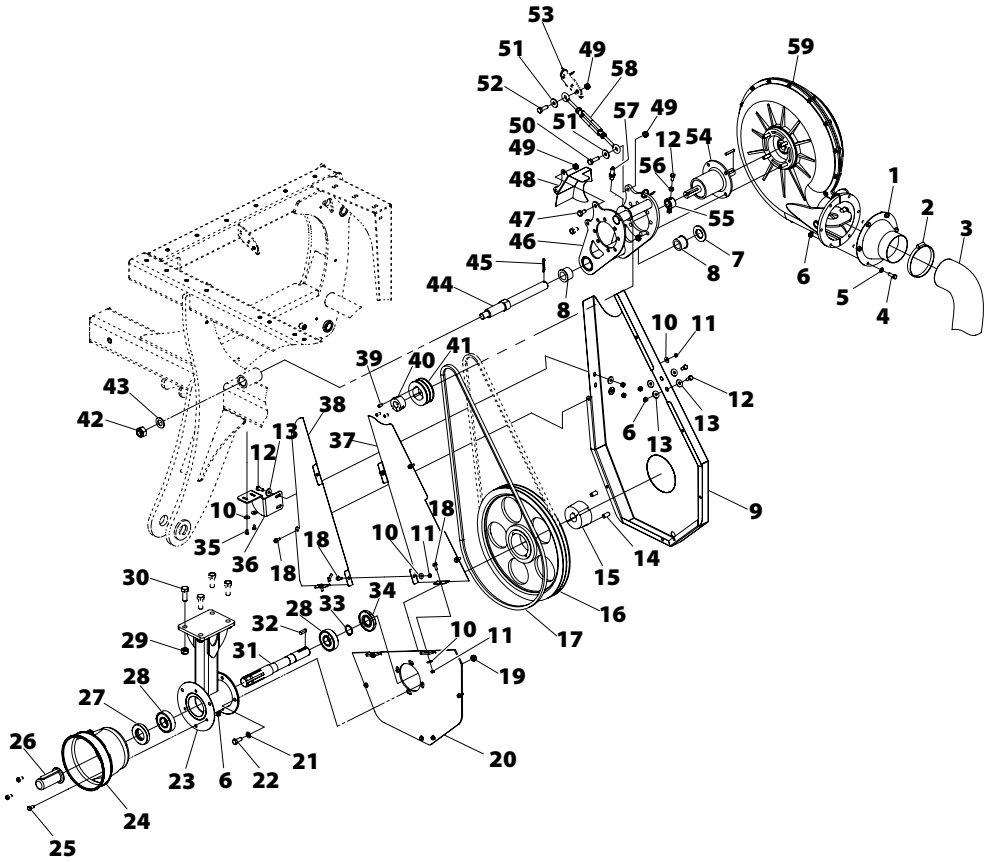
Nº	REFERENCIA	DENOMINACIÓN
1	ME-041334	ANILLO SUJECIÓN RODAMIENTO POLEA
2	125 30 BI	ARANDELA DIN 125 M30 BICROMATADA
3	PL-041306	CASQ. DE FRICCIÓN Ø40x28x26 C/VALONA
4	PX-042813	CHAPA CAJA PROTECCIÓN CORREA
5	9021 6 BI	ARANDELA PLANA DIN 9021 M6 BICROMATADA
6	985 6	TUERCA DIN 985 M6
7	933 8X20 8.8 B	TORNILLO DIN 933 M8X20 8.8 BICROMATADO
8	9021 8 BI	ARANDELA PLANA DIN 9021 M8 BICROMATADA
9	985 8	TUERCA DIN 985 M8
10	913 12X25 BI	TORNILLO DIN 913 M12X25 BICROMATADO
11	FE-604019	CASQUILLO CÓNICO Ø30 PARA POLEA 400- SPA-2 (ACERO)
12	FE-604016	POLEA 400-SPA-2 2517 C. CASQUILLO CON 2517-30
13	FE-604055	CORREA TRAPEZIAL XPA 2057 SM-1909
14	6921 6X16 8.8B	TORNILLO DIN 6921 M6X16 8.8 BICROMATADO
15	985 10	TUERCA DIN 985 M10
16	PX-042843	TAPA FRONTAL INFERIOR PROTECCIÓN CORREA
17	125 10 BI	ARANDELA PLANA DIN 125 M10 BICROMATADA
18	933 10X25 8.8 B	TORNILLO DIN 933 M10X25 8.8 BICROMATADO
19	PS-042800	SOPORTE POLEA TRAPEZIAL 1000RPM
20	TA-041306	PROTECTOR TDF TURBINA MEC.
21	933 8X16 8.8 B	TORNILLO DIN 933 M 8X16 8.8 BICROMATADO
22	CN-817016	PROTECTOR EJE TRANSMISIÓN DE 35
23	FE-601041	RETÉN 35X72X12
24	FE-600051	RODAMIENTO 6306 2RS CLASE A
25	985 14	TUERCA DIN 985 M14
26	933 14X40 8.8 B	TORNILLO DIN 933 M14X40 8.8 BICROMATADO
27	ME-041332	EJE ESTRIADO POLEA TRAPEZIAL NEUMASEM
28	6885-A 8X7X30	CHAVETA DIN 6885-A 8X7X30
29	471 30	ANILLO SAEGER DIN 471 30
30	FE-601042	RETÉN 30X72X10



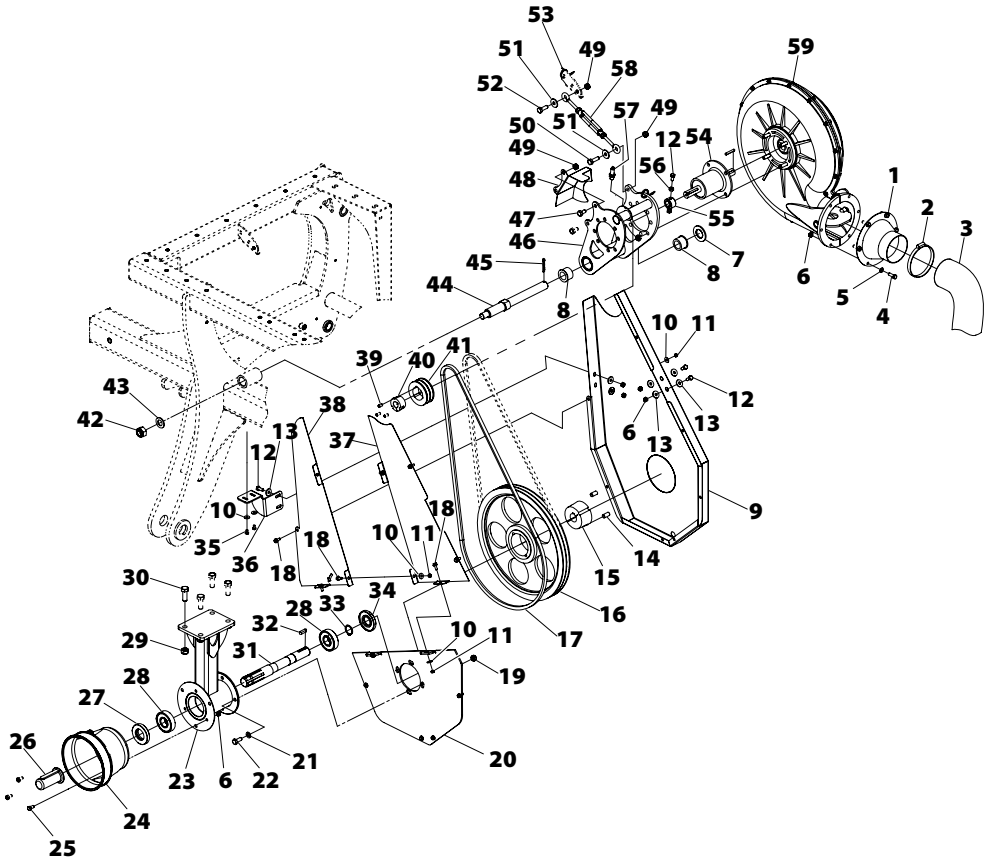
Nº	REFERENCIA	DENOMINACIÓN
31	933 6X10 8.8 B	TORNILLO DIN 933 M6X10 8.8 BICROMATADO
32	PX-042816	CHAPA ANGULA PROTECCIÓN CORREA
33	PX-042846	TAPA FRONTAL B PROT CORREA
34	PX-042845	TAPA FRONTAL A PROT CORREA
35	913 8X15 BI	TORNILLO DIN 913 M8X15 BICROMATADO
36	FE-604020	CASQUILLO CÓNICO Ø22 PARA POLEA 80-SPA-2
37	FE-604017	POLEA 80-SPA-2 1210 C. CASQUILLO CON. 1210-22
38	985 20	TUERCA DIN 985 M20
39	125 20 BI	ARANDELA DIN 125 M20 BICROMATADA
40	ME-042801	EJE SOPORTE TURBINA HIDRÁULICA
41	94 5X40 BI	PASADOR DE ALETAS DIN 94 M 5X40 BICROMATADO
42	PS-042802	SOPORTE TURBINA MECÁNICA
43	933 10X20 8.8	TORNILLO DIN 933 M10X20 8.8
44	PX-042825	TAPA CORREAS SUPERIOR PEQUEÑO
45	985 10	TUERCA DIN 985 M10
46	933 10X35 8.8 B	TORNILLO DIN 933 M10X35 8.8 BICROMATADO
47	9021 10 BI	ARANDELA DIN 9021 M10 BICROMATADA
48	933 10X30 8.8 B	TORNILLO DIN 933 M10X30 8.8 BICROMATADO
49	FE-606013	BRIDA NYLON 4,8X200
50	CO-041313	BUJE COMPLETO TURBINA MEC. MISTRAL CON CHAVETAS
51	934 8 BI	TUERCA DIN 934 M8 BICROMATADA
52	FE-650025	SENSOR INDUCTIVO TURBINA RDS
53	FE-613015	TENSOR M10 CON AGUJERO Ø14 L=213/296
54	CO-041310	TURBINA MECÁNICA MISTRAL SIN BUJE
55	VA-042802	TUBO DISTRIBUCIÓN ENTRADA VENTURI Ø100



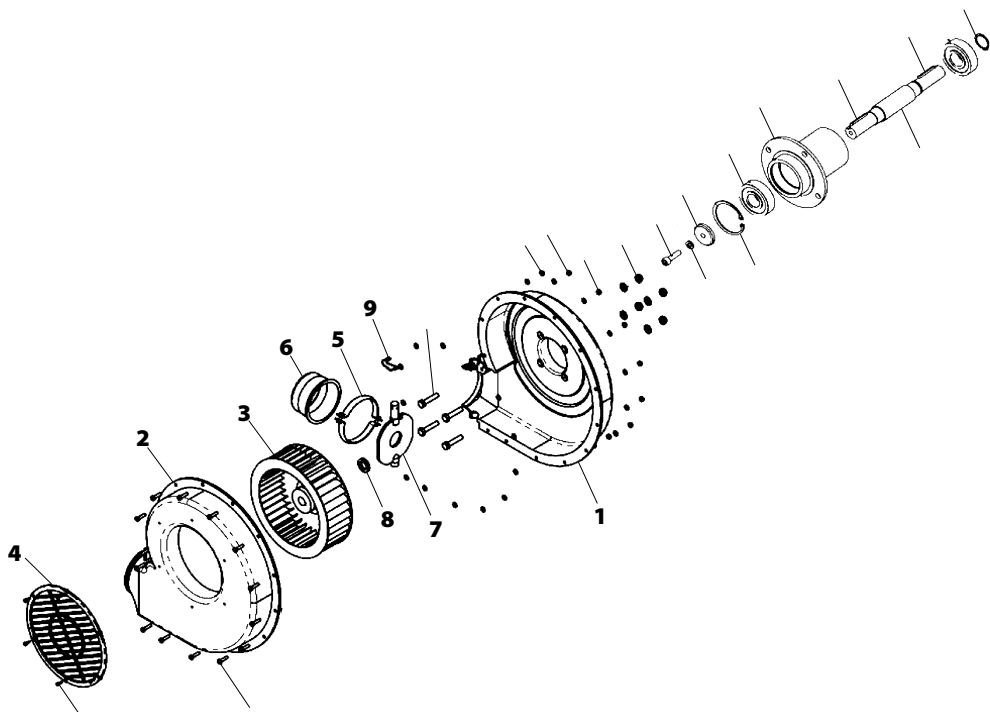
Nº	REFERENCIA	DENOMINACIÓN
1	PS-041335	TOBERA ADAPTADOR TURBINA Ø135/Ø100
2	FE-606008	ABRAZADERA 90-110/12 W1 TORRO
3	VA-042802	TUBO DISTRIBUCIÓN ENTRADA VENTURI Ø100
4	933 8X25 8.8 B	TORNILLO DIN 933 8X25 8.8 BICROMATADO
5	125 8 BI	ARANDELA PLANA DIN-125 M8 BICROMATADA
6	985 8	TUERCA DIN 985 M8
7	125 30 BI	ARANDELA DIN 125 M30 BICROMATADA
8	PL-041306	CASQ. DE FRICCIÓN Ø40x28x26 C/VALONA
9	PX-042813	CHAPA CAJA PROTECCIÓN CORREA
10	9021 6 BI	ARANDELA PLANA DIN 9021 M6 BICROMATADA
11	985 6	TUERCA DIN 985 M6
12	933 8X20 8.8 B	TORNILLO DIN 933 M8X20 8.8 BICROMATADO
13	9021 8 BI	ARANDELA PLANA DIN 9021 M8 BICROMATADA
14	913 12X25 BI	TORNILLO DIN 913 M12X25 BICROMATADO
15	FE-604019	CASQUILLO CÓNICO Ø30 PARA POLEA 400- SPA-2 (ACERO)
16	FE-604016	POLEA 400-SPA-2 2517 C. CASQUILLO CON 2517-30
17	FE-604055	CORREA TRAPEZIAL XPA 2057 SM-1909
18	6921 6X16 8.8 B	TORNILLO DIN 6921 M6X16 8.8 BICROMATADO
19	985 10	TUERCA DIN 985 M10
20	PX-042843	TAPA FRONTAL INFERIOR PROTECCIÓN CORREA
21	125 10 BI	ARANDELA PLANA DIN 125 M10 BICROMATADA
22	933 10X25 8.8 B	TORNILLO DIN 933 M10X25 8.8 BICROMATADO
23	PS-042800	SOPORTE POLEA TRAPEZIAL 1000RPM
24	TA-041306	PROTECTOR TDF TURBINA MEC.
25	933 8X16 8.8 B	TORNILLO DIN 933 M 8X16 8.8 BICROMATADO
26	CN-817016	PROTECTOR EJE TRANSMISIÓN DE 35
27	FE-601041	RETÉN 35X72X12
28	FE-600051	RODAMIENTO 6306 2RS CLASE A
29	985 14	TUERCA DIN 985 M14
30	933 14X40 8.8 B	TORNILLO DIN 933 M14X40 8.8 BICROMATADO



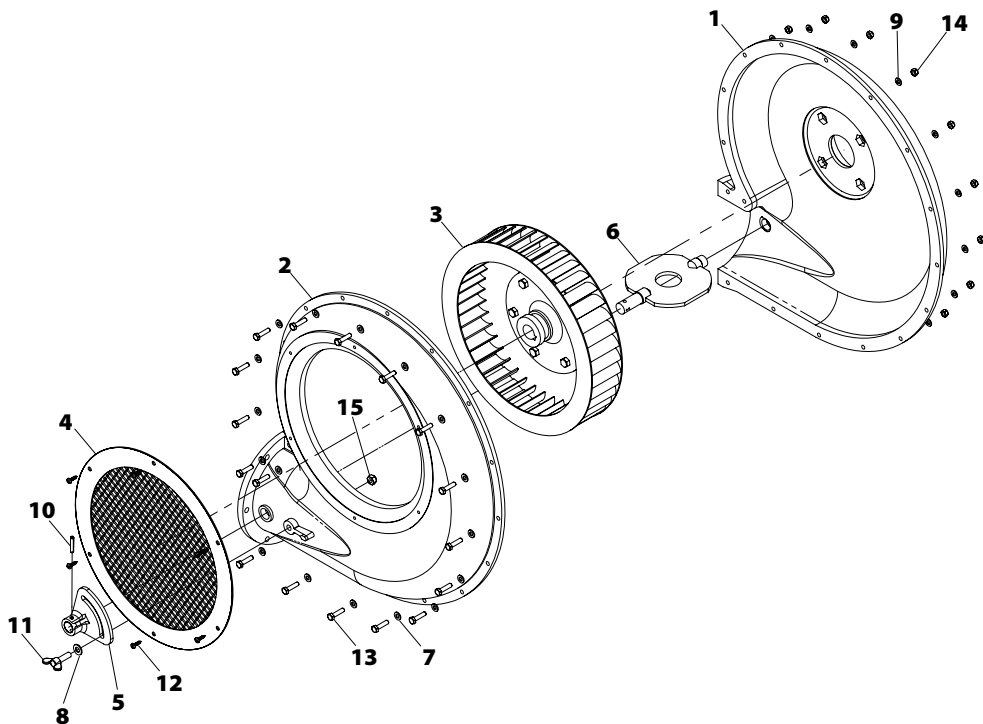
Nº	REFERENCIA	DENOMINACIÓN
31	ME-041332	EJE ESTRIADO POLEA TRAPEZIAL NEUMASEM
32	6885-A 8X7X30	CHAVETA DIN 6885-A 8X7X30
33	471 30	ANILLO SAEGER DIN 471 30
34	FE-601042	RETÉN 30X72X10
35	933 6X10 8.8 B	TORNILLO DIN 933 M6X10 8.8 BICROMATADO
36	PX-042816	CHAPA ANGULA PROTECCIÓN CORREA
37	PX-042846	TAPA FRONTAL B PROT CORREA
38	PX-042845	TAPA FRONTAL A PROT CORREA
39	913 8X15 BI	TORNILLO DIN 913 M8X15 BICROMATADO
40	FE-604020	CASQUILLO CÓNICO Ø22 PARA POLEA 80-SPA-2
41	FE-604017	POLEA 80-SPA-2 1210 C. CASQUILLO CON. 1210-22
42	985 20	TUERCA DIN 985 M20
43	125 20 BI	ARANDELA DIN 125 M20 BICROMATADA
44	ME-042801	EJE SOPORTE TURBINA HIDRÁULICA
45	94 5X40 BI	PASADOR DE ALETAS DIN 94 M 5X40 BICROMATADO
46	PS-042802	SOPORTE TURBINA MECÁNICA
47	933 10X20 8.8	TORNILLO DIN 933 M10X20 8.8
48	PX-042825	TAPA CORREAS SUPERIOR PEQUEÑO
49	985 10	TUERCA DIN 985 M10
50	933 10X35 8.8 B	TORNILLO DIN 933 M10X35 8.8 BICROMATADO
51	9021 10 BI	ARANDELA DIN 9021 M10 BICROMATADA
52	933 10X30 8.8 B	TORNILLO DIN 933 M10X30 8.8 BICROMATADO
53	FE-606013	BRIDA NYLON 4,8X200
54	CO-041313	BUJE COMPLETO TURBINA MEC. MISTRAL CON CHAVETAS
55	ME-041334	ANILLO SUJECIÓN RODAMIENTO POLEA
56	934 8 BI	TUERCA DIN 934 M8 BICROMATADA
57	FE-650025	SENSOR INDUCTIVO TURBINA RDS
58	FE-613015	TENSOR M10 CON AGUJERO Ø14 L=213/296
59	CO-041502	TURBINA D320 MISTRAL SIN BUJE



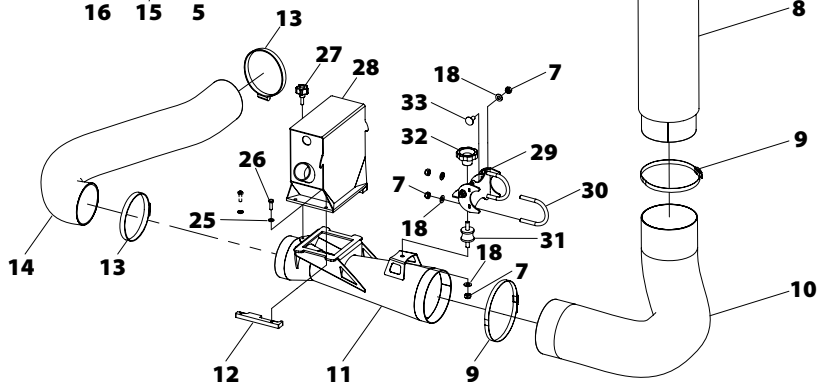
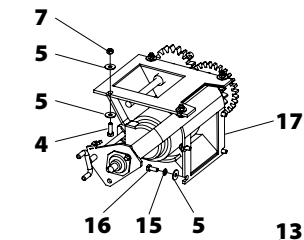
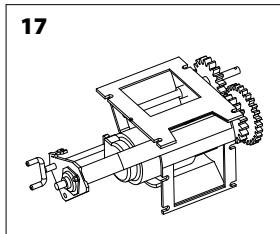
Nº	REFERENCIA	DENOMINACIÓN
1	CO-041310/01	CUERPO TURBINA
2	CO-041310/02	TAPA CUERPO TURBINA
3	CO-041310/03	ROTOR TURBINA
4	CO-041310/04	REJILLA PROTECCIÓN TURBINA
5	CO-041310/05	BRIDA TURBINA (TORNILLO Y TUERCA INCL.)
6	CO-041310/06	BOQUILLA REDUCCIÓN TURBINA
7	CO-041310/07	OBTURADOR TURBINA
8	CO-041310/08	SEPARADOR ROTOR BUJE TURBINA
9	CO-041310/09	ARANDELA FIJACIÓN BUJE TURBINA (4)
10	ME-041351	ARANDELA 40X8.5X6
11	125 10 BI	ARANDELA PLANA DIN 125 M10 BICROMATADA
12	125 6 BI	ARANDELA PLANA DIN 125 M6 BICROMATADA
13	127 8 BI	ARANDELA DIN 127 M8 BICROMATADA
14	6885-A 6X6X35	CHAVETA DIN 6885-A 6X6X35
15	7971 4,2X16 B	TORNILLO DIN 7971 4,2X16 BICROMATADO
16	912 8X30 8.8	TORNILLO DIN 912 M8X30 8.8
17	933 6X25 8.8 B	TORNILLO 933 M 6X25 8.8 BICROMATADO
18	933 10X50 8.8 B	TORNILLO DIN 933 M10X50 8.8 BICROMATADO
19	985 6	TUERCA DIN 985 M6
20	985 10	TUERCA DIN 985 M10
21	CO-041313/01	CARCASA BUJE TURBINA MEC.
22	CO-041313/02	EJE BUJE TURBINA MEC.
23	FE-600078	RODAMIENTO 6305 2RS CLASE A
24	472 62	ANILLO SAEGER DIN 472 62
25	471 25	ANILLO SAEGER DIN 471 25



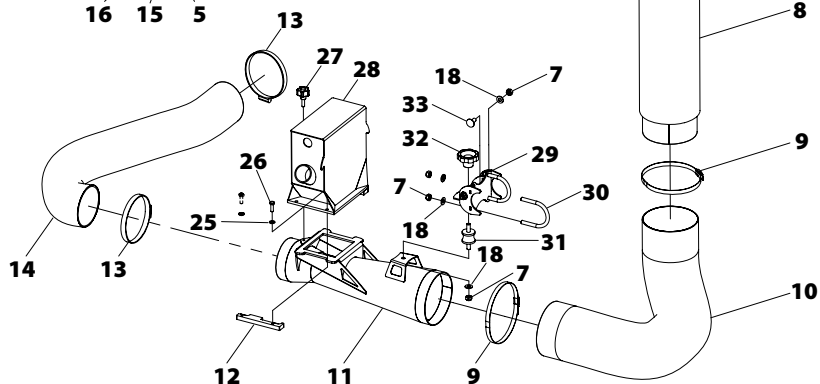
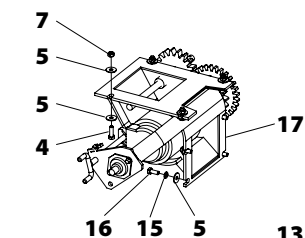
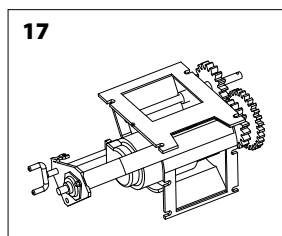
Nº	REFERENCIA	DENOMINACIÓN
1	CO-041502-00	CUERPO TURBINA MISTRAL D340
2	CO-041502-01	TAPA CUERPO TURBINA MISTRAL D340
3	CO-041502-02	ROTOR TURBINA MISTRAL D340
4	CO-041502-03	REJILLA PROTECCIÓN TURBINA MISTRAL D340
5	CO-041502-04	REGULADOR DE CAUDAL TURBINA D340
6	CO-041502-05	OBTURADOR TURBINA MECÁNICA D 320 MISTRAL
7	125 6 BI	ARANDELA DIN 125 M6 BICROMATADA
8	125 8 BI	ARANDELA DIN 125 M8 BICROMATADA
9	127 6 BI	ARANDELA GROWER DIN 127 6 BICROMATADA
10	1481 5X28 BI	PASADOR ELÁSTICO DIN 1481 Ø5x28 BICROMATADO
11	316 8x25 BI	PALOMILLA DIN 316 M8 BICROMATADA
12	7971 4,2X16 BI	TORNILLO DIN 7971 4,2x16 BICROMATADO
13	933 6X25 8.8B	TORNILLO DIN 933 M6x25 8,8 BICROMATADO
14	985 6	TUERCA DIN 985 M6
15	985 8	TUERCA DIN 985 M8



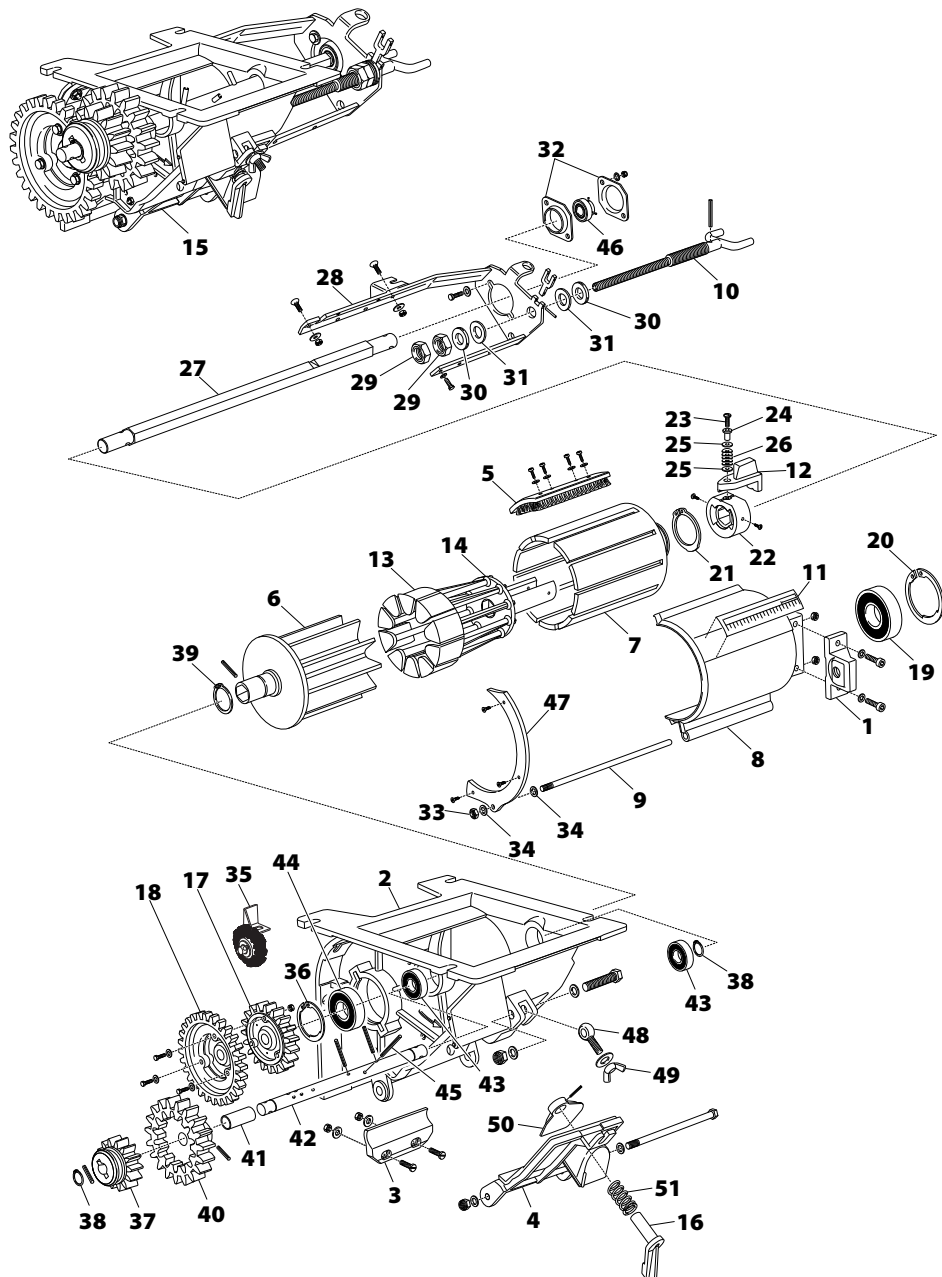
Nº	REFERENCIA	DENOMINACIÓN
1	ME-041353	TAPA CABEZAL DISTRIBUIDOR Ø135-32 SALIDAS
1	ME-041355	TAPA CABEZAL DISTRIBUIDOR Ø135-40 SALIDAS
1	ME-041329	TAPA CABEZAL DISTRIBUIDOR Ø135-48 SALIDAS
2	ME-041352	BASE CABEZAL DISTRIBUIDOR Ø135-32 SALIDAS
2	ME-041354	BASE CABEZAL DISTRIBUIDOR Ø135-40 SALIDAS
2	ME-041328	BASE CABEZAL DISTRIBUIDOR Ø135 48 SALIDAS
3	PL-041302	BRIDA PARA TUBO Ø135
4	933 8X25 8.8 B	TORNILLO DIN 933 8X25 8.8 BICROMATADO
5	9021 8 BI	ARANDELA PLANA DIN 9021 M8 BICROMATADO
6	PS-022807	CONJUNTO SOPORTE DISTRIBUCIÓN TOLVAS 2000 L
6	PS-021310	CONJUNTO SOPORTE DISTRIBUCIÓN NS-PLUS TOLVAS 1600 L
7	985 8	TUERCA DIN 985 M8
8	PS-042803	TUBO TRANSMISIÓN SEMILLA
8	PS-041383	TUBO TRANSMISIÓN SEMILLA NS-PLUS 1600 L
9	FE-606019	BRIDA SINFIN 130/150-9
10	VA-042801	TUBO DISTRIBUCION SALIDA VENTURI Ø130
11	PS-042816	VENTURI SM-1909 2011
12	ME-042812	GUÍA A FIJACION VENTURI
13	FE-606008	ABRAZADERA 90-110/12 W1 TORRO
14	VA-042802	TUBO DISTRIBUCION ENTRADA VENTURI Ø100
15	127 8 BI	ARANDELA DIN 127 M8 BICROMATADA
16	933 8X20 8.8 B	TORNILLO DIN 933 M8X20 8.8 BICROMATADO
17	CT-042806	DOSIFICADOR SEMILLA COMPLETO SM-1909 MISTRAL
18	125 8 BI	ARANDELA PLANA DIN-125 M8 BICROMATADA
19	PL-041303	TUBO DIFUSOR SEMILLA Ø 135
20	VA-022800	ESPUMA AJUSTE CABEZAL DISTRIBUIDOR
21	RE-041313	CABLE MASA 2,5 MM2 CON TERMILANES DE AISLAMIENTO
22	CN-817040	TAPÓN CAPERUZA PARA TUBO Ø 32
23	125 5 BI	ARANDELA PLANA DIN-125 M5 BICROMATADA
24	316 5X20 BI	TORNILLO MARIPOSA DIN-316 M-5X20 BICROMATADO



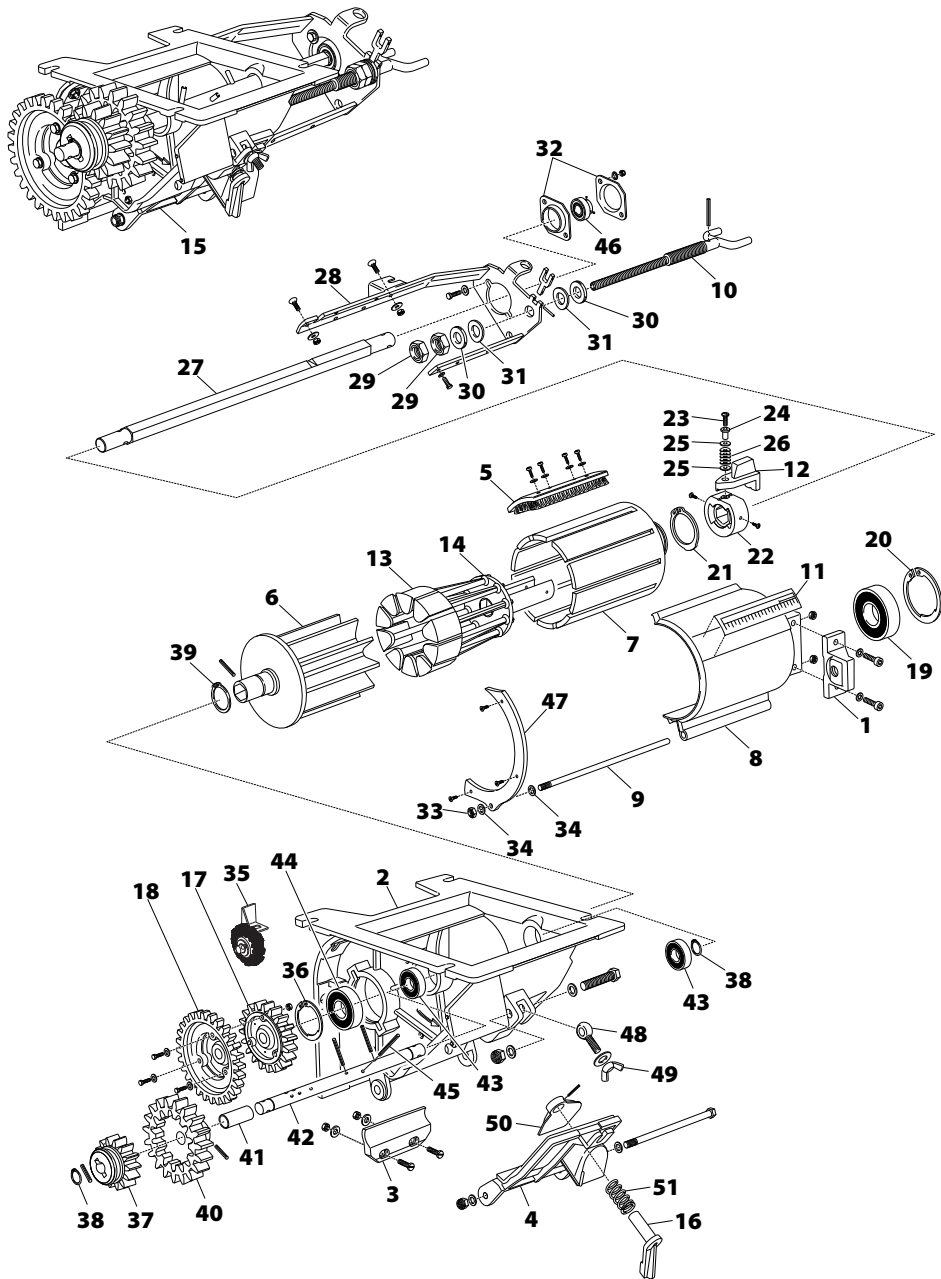
Nº	REFERENCIA	DENOMINACIÓN
25	125 6 BI	ARANDELA PLANA DIN 125 M6 BICROMATADA
26	933 6X20 8.8 B	TORNILLO DIN 933 M6X20 8.8 BICROMATADO
27	FE-614069	VOLANTE MACHO Ø40 M6x20
28	PS-042817	CAJA ENTRADA SEMILLA VENTURI 2011
29	PS-042818	SOPORTE SILENTBLOCK VENTURI
30	EE-042802	BRIDA C 50 M8 L=66
31	FE-660023	SILENTBLOCK DIABOLO 30/25 M8
32	PL-101700	POMO GATILLO SEGURO TRANSPORTE TRAZADOR
33	603 8X20 8.8 BI	TORNILLO DIN 603 M8X20 8.8 BICROMATADO



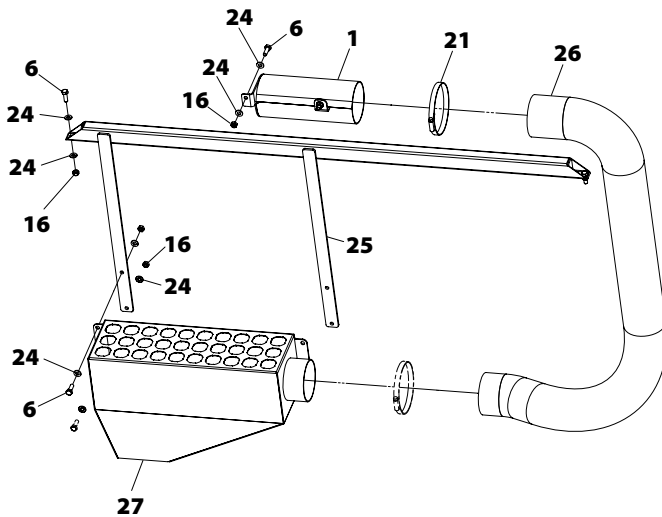
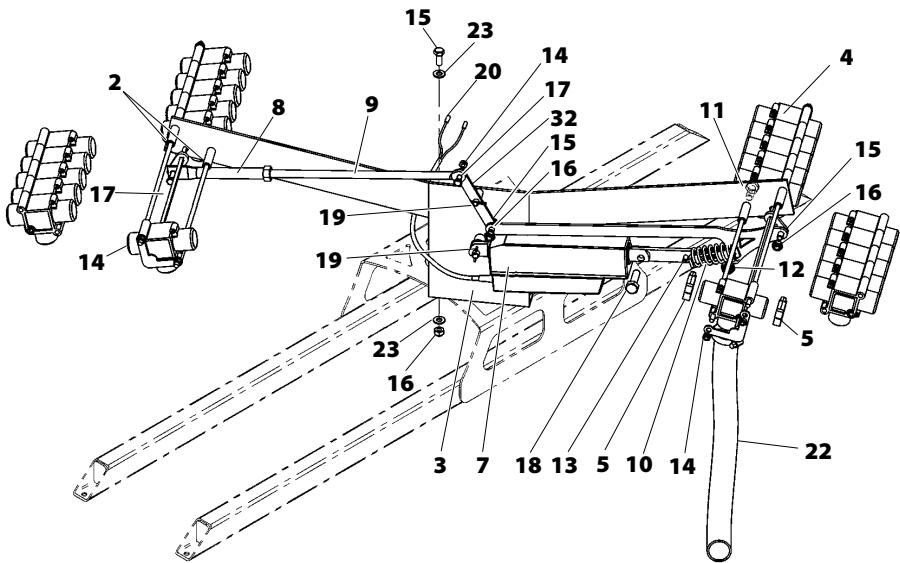
Nº	REFERENCIA	DENOMINACIÓN
1	AG-041300	TUERCA CORREDERA HUSILLO DISTRIBUIDOR
2	AG-041340	CARCASA DISTRIBUIDOR 2010
3	AG-041302	GOMA INFERIOR DISTRIBUIDOR
4	AG-041341	TRAMPILLA VACIADO DISTRIBUIDOR 2010
5	AG-041304	CEPILLO CIERRE DISTRIBUIDOR
6	AG-041305	RODILLO DISTRIBUIDOR
7	AG-041306	JAULA DISTRIBUIDOR
8	AG-041307	SEMITUBO DISTRIBUIDOR
9	AG-041308	EJE DISTRIBUIDOR
10	AG-041309	HUSILLO DISTRIBUIDOR
11	AG-041310	GRADUADOR DISTRIBUIDOR NEUMASEM
12	AG-041315	LLAVE CIERRE DISTRIBUIDOR SEMILLAS FINAS
13	AG-041316	UÑAS CIERRE RODILLO SEMILLAS FINAS
14	AG-041317	DISCO PORTAUÑAS MISTRAL
15	CO-041305	DOSIFICADOR SEMILLA COMPLETO NEUMASEM
16	AG-041342	MANETA APERTURA TRAMPILLA VACIADO
17	AG-041319	PIÑÓN DE 19 Z DISTRIBUIDOR C/TALADROS
18	AG-041320	PIÑÓN DE 28 Z DISTRIBUIDOR MISTRAL
19	FE-600064	RODAMIENTO 6009 2RS CLASE B
20	472 75	ANILLO SAEGER DIN 472 75
21	471 45	ANILLO SAEGER DIN 471 45
22	AG-041321	ANILLO BLOQUEO DISTRIBUIDOR
23	920 4X20 BI	TORNILLO M 4X20 DISTRIBUIDOR
24	AG-041322	DISTANCIADOR TORNILLO DISTRIBUIDOR
25	125 6 BI	ARANDELA PLANA DIN 125 M6 BICROMATADA
26	137B 6	ARANDELA DE MUELLE DIN 137B M6
27	AG-041323	EJE RODILLO DISTRIBUIDOR
28	AG-041324	BRAZO SOPORTE DISTRIBUIDOR
29	AG-041336	TUERCA BRAZO SOPORTE DISTRIBUIDOR
30	125 18 BI	ARANDELA DIN 125 M18 BICROMATADA



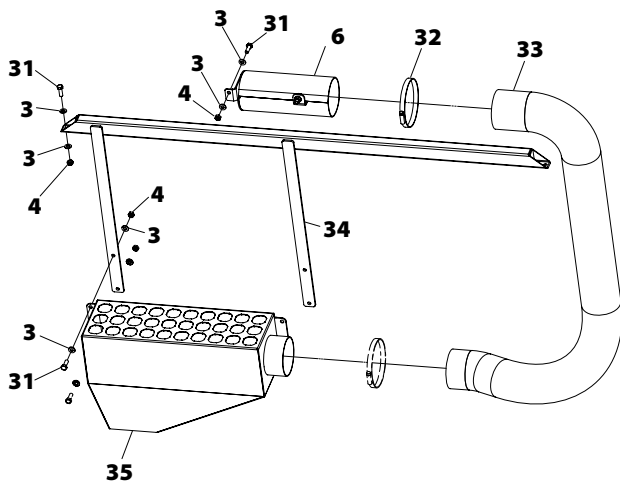
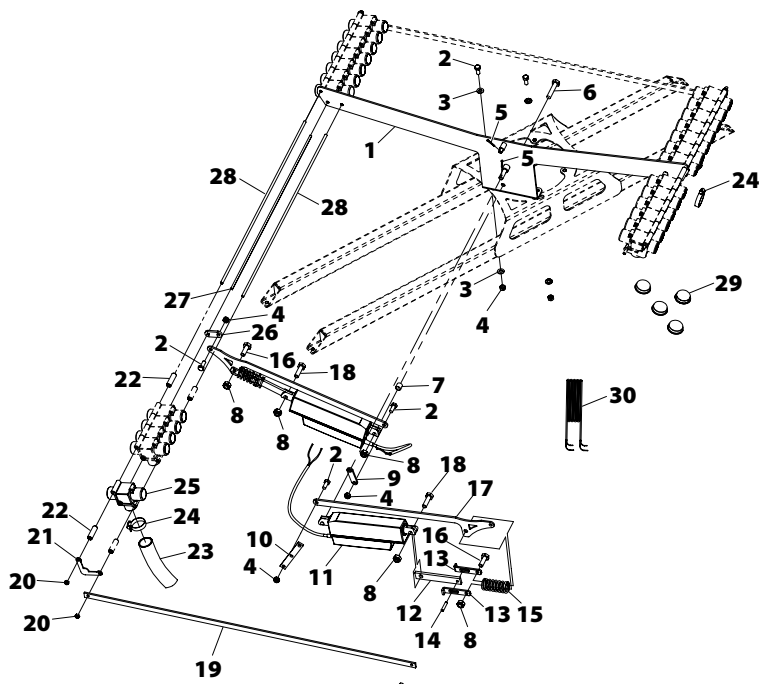
Nº	REFERENCIA	DENOMINACIÓN
31	137B 18	ARANDELA M 17 (BRAZO DISTRIBUIDOR)
32	AG-041325	SOPORTE RODAMIENTO DISTRIBUIDOR
33	934 5 BI	TUERCA DIN 934 M5 BICROMATADA
34	125 5 BI	ARANDELA PLANA DIN-125 M5 BICROMATADA
35	AG-041326	CEPILLO ROTATIVO DISTRIBUIDOR
36	472 47	ANILLO SAEGER DIN 472 47
37	AG-041328	PIÑÓN DE 14 Z ROJO DISTRIBUIDOR
38	471 15	ANILLO SAEGER DIN 471 Ø15
39	471 25	ANILLO SAEGER DIN 471 Ø25
40	AG-041331	PIÑÓN DE 19 Z DISTRIBUIDOR
41	AG-041332	CASQUILLO DISTRIBUIDOR
42	AG-041333	EJE AGITADOR DISTRIBUIDOR
43	CO-042404/11	RODAMIENTO 6002 2RS TRANSM.
44	FE-600047	RODAMIENTO 6005 2RS CLASE C CNR
45	1481 5X50 BI	PASADOR ELÁSTICO DIN 1481 M 5X50 BICROMATADO
46	AG-041334	RODAMIENTO AY15 2RS
47	AG-041335	PROTECTOR MEDIA LUNA DISTRIBUIDOR
48	444 8X35 BI	TORNILLO DIN 444 M-8X35 BICROM
49	315 8 BI	PALOMILLA DIN 315 M8 BICROMATADA
50	AG-041343	TAPETA TRASERA TRAMPILLA VACIADO DISTRIBUIDOR
51	AG-041344	MUELLE TRAMPILLA VACIADO DISTRIBUIDOR



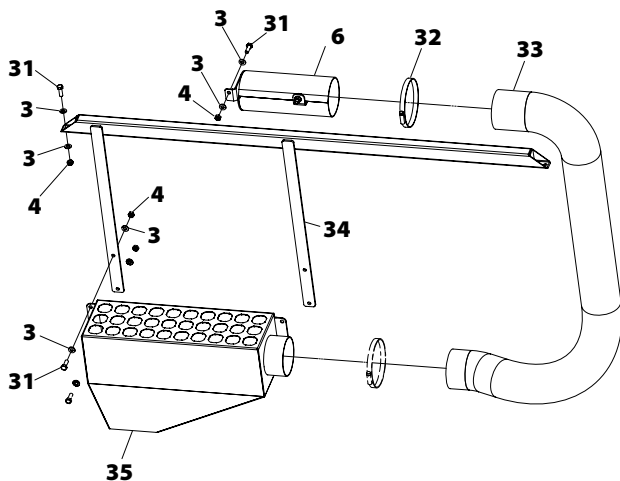
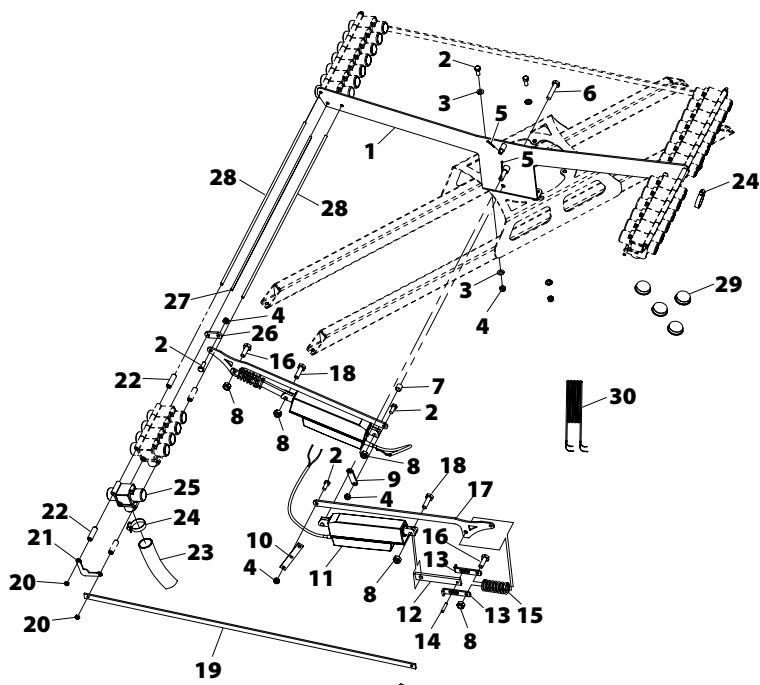
Nº	REFERENCIA	DENOMINACIÓN
1	PS-102830	FILTRO SALIDA AIRE PARTES PLEG.
2	ME-102815	SEPARADOR VÁLVULA DE CIERRE SM-1909
3	PS-101309	SOPORTE VÁLVULAS CIERRE
4	MO-041305	VÁLVULA CIERRE COMPLETA NEUMASEM
5	985 8	TUERCA DIN 985 M8
6	933 8X25 8.8 B	TORNILLO DIN 933 8X25 8.8 BICROMATADO
7	CO-101301	CILINDRO ELÉCTRICO
8	CO-101303	TUBO ROSCADO BIELA UNIÓN VÁLVULAS
9	934 12	TUERCA DIN 934 M 12
10	ML-101301	MUELLE PROLONGACIÓN CILINDRO ELEC.
11	933 10X25 8.8 B	TORNILLO DIN 933 M10X25 8,8 BICROMATADO
12	985 10	TUERCA DIN 985 M10
13	1481 6X30 BI	PASADOR ELÁSTICO DIN 1481 Ø6X30 BICROMATADO
14	985 6	TUERCA DIN 985 M6
15	VA-102802	TUBO SALIDA AIRE CAJA SEMILLA
16	PS-102829	CAJA RECOGIDA SEMILLA PARTES PLEG.
17	933 6X20 8.8B	TORNILLO DIN 933 M6X20 8,8 BICROMATADO
18	933 10X35 8.8	TORNILLO DIN 933 M10X35 8,8
19	94 3X20 BI	PASADOR DE ALETAS DIN 94 3X20 BICROMATADO
20	FE-650016	CONT. MACHO REDONDO CON AISLAMIENTO Ø 2,5
21	FE-606036	BRIDA SIN FÍN DIN 3017 W1 Ø110/130
22	MP-907018	MTS. MANGUERA SOLA 30 ANTIESTÁTICA
23	125 8 BI	ARANDELA DIN 125 M8 BICROMATADA
24	125 8 BI	ARANDELA PLANA DIN-125 M8 BICROMATADA
25	PS-102831	SOPORTE CAJA RECOGIDA SEMILLA CIERRE PLEG.
26	VA-102802	TUBO SALIDA AIRE CAJA SEMILLA
27	PS-102829	CAJA RECOGIDA SEMILLA PARTES PLEG.



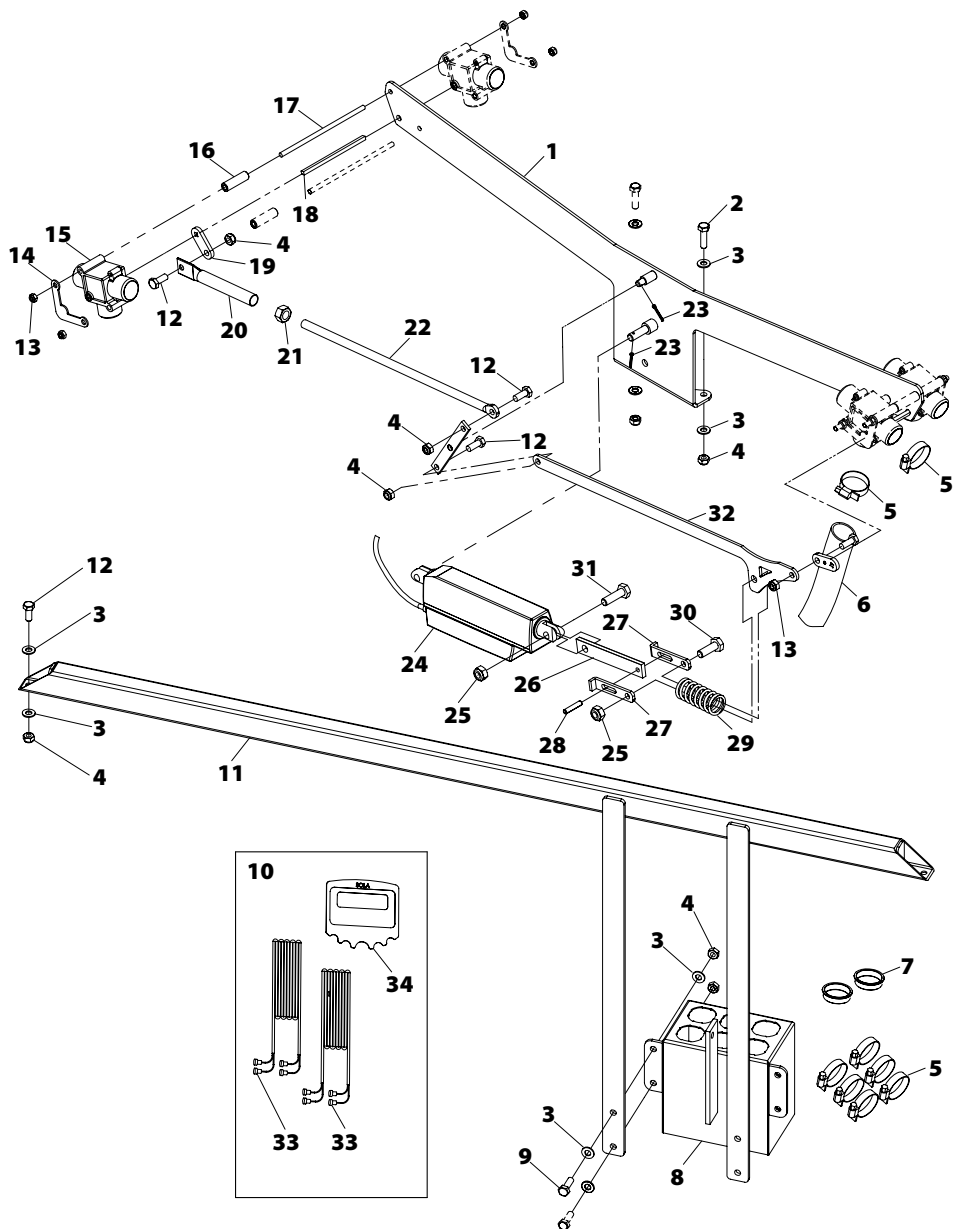
Nº	REFERENCIA	DENOMINACIÓN
1	PS-101309	SOPORTE VÁLVULAS CIERRE NEUMASEM
2	933 8x20 8.8 B	TORNILLO DIN 933 M8X20 8.8 BICROMATADO
3	125 8 BI	ARANDELA PLANA DIN-125 M8 BICROMATADA
4	985 8	TUERCA DIN 985 M8
5	94 3x20 BI	PASADOR DE ALETAS DIN 94 M3X20 BICROMATADO
6	931 10x50 8.8 B	TORNILLO DIN 931 M10X50 8.8 BICROMATADO
7	CT-101372	SEPARADOR ØINT 10 PARA CILINDRO EMPUJE
8	985 10	TUERCA DIN 985 M10
9	PX-201324	BIELA SEGUNDO PISTÓN VÁLVULAS
10	EE-101314	EXCENTRICA BIELAS UNIÓN VÁLVULAS CIERRE NEUMASEM
11	CO-101301	CILINDRO ELECTRICO LA 12.1-44-12-01 IP65
12	EE-101325	PROLONGACIÓN CILINDRO ELE NEUMASEM
13	PX-101318	MEDIACAÑA PROLONGACIÓN CILINDRO ELEC. NEUMASEM
14	1481 6X30 BI	PASADOR ELASTICO DIN 1481 M 6X30 BICROMATADO
15	ML-101301	MUELLE PROLONGACIÓN CILIN ELECTRICO NEUMASEM
16	933 10x30 8.8 B	TORNILLO DIN 933 M10X30 8.8 BICROMATADO
17	PX-102833	BIELA UNIÓN VÁLVULAS SM 1909
18	933 10X35 8.8 B	TORNILLO DIN 933 M10X35 8.8 BICROMATADO
19	EE-101339	TIRANTE UNIÓN VÁLVULAS NEUMASEM 600/48
20	985 6	TUERCA DIN 985 M6
21	PX-102832	TAPETA FINAL SOPORTE VÁLVULAS DE CIERRE SM-1909
22	ME-102815	SEPARADOR VÁLVULA DE CIERRE SM-1909
23	MP-907018	MTS. MANGUERA SOLA 30 ANTIESTATICA (ROLLO 50 MTS.)
24	FE-606023	BRIDA MIKALOR 25/40
25	MO-041305	VÁLVULA CIERRE COMPLETA NEUMASEM
26	PX-102834	BIELA B CIERRE VÁLVULAS SM-1909
27	CT-101341	CUADRADO UNIÓN VÁLVULAS NEUMASEM 600/48
28	CT-101342	VARILLA ROSCADA UNIÓN VÁLVULAS NEUMASEM 600/48
29	FE-611024	TAPON AGUJERO Ø36,5
30	MV-101335	CONTROLADOR RDS - KIT 2 CORTE TOTAL/PARCIAL



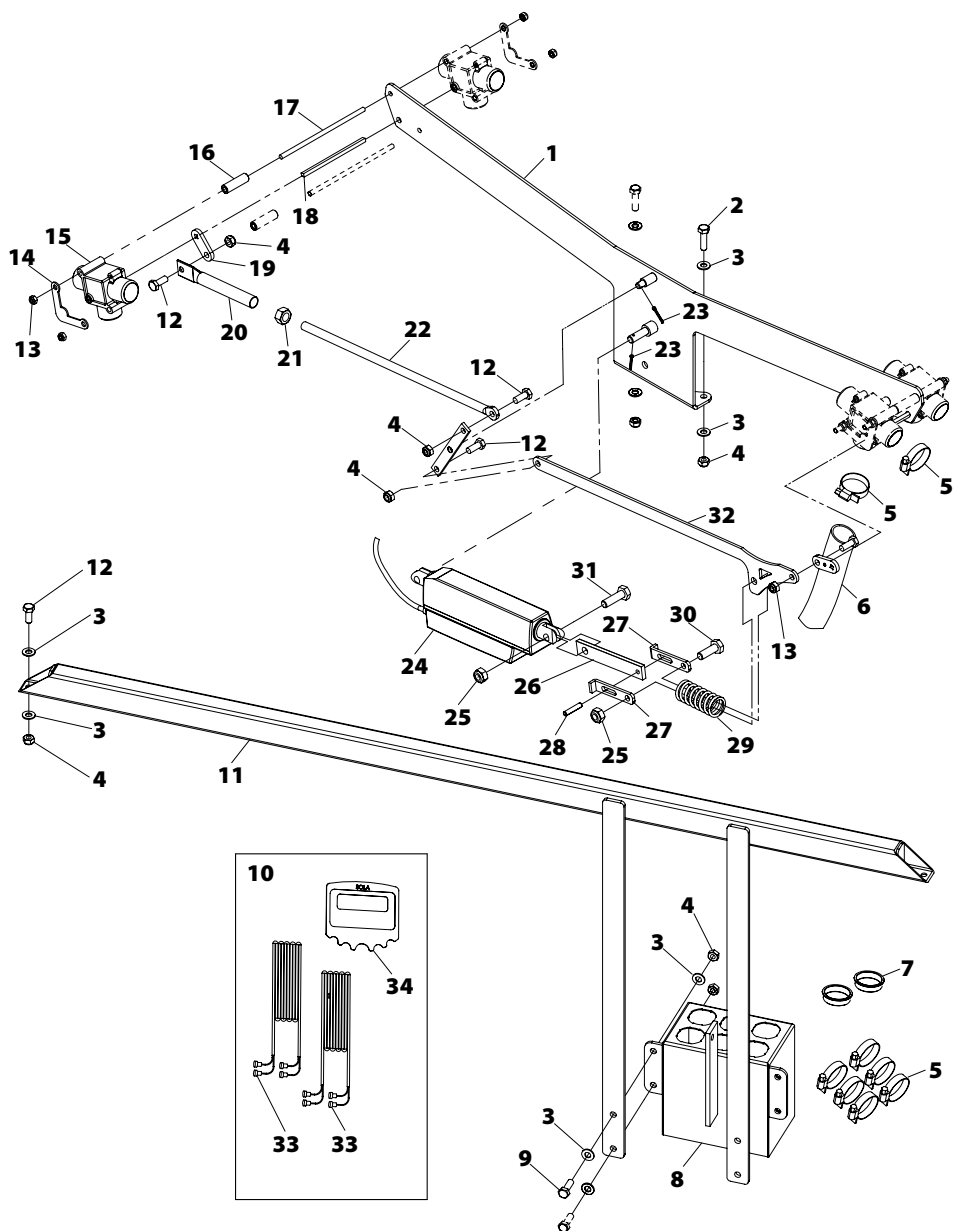
Nº	REFERENCIA	DENOMINACIÓN
31	933 8X25 8.8 B	TORNILLO DIN 933 8X25 8.8 BICROMATADO
32	FE-606036	BRIDA SINFIN DIN 3017 W1 Ø110/130
33	VA-102802	TUBO SALIDA AIRE CAJA SEMILLA
34	PS-102831	SOPORTE CAJA RECOGIDA SEMILLA CIERRE PLEG.
35	PS-102829	CAJA RECOGIDA SEMILLA PARTES PLEG.



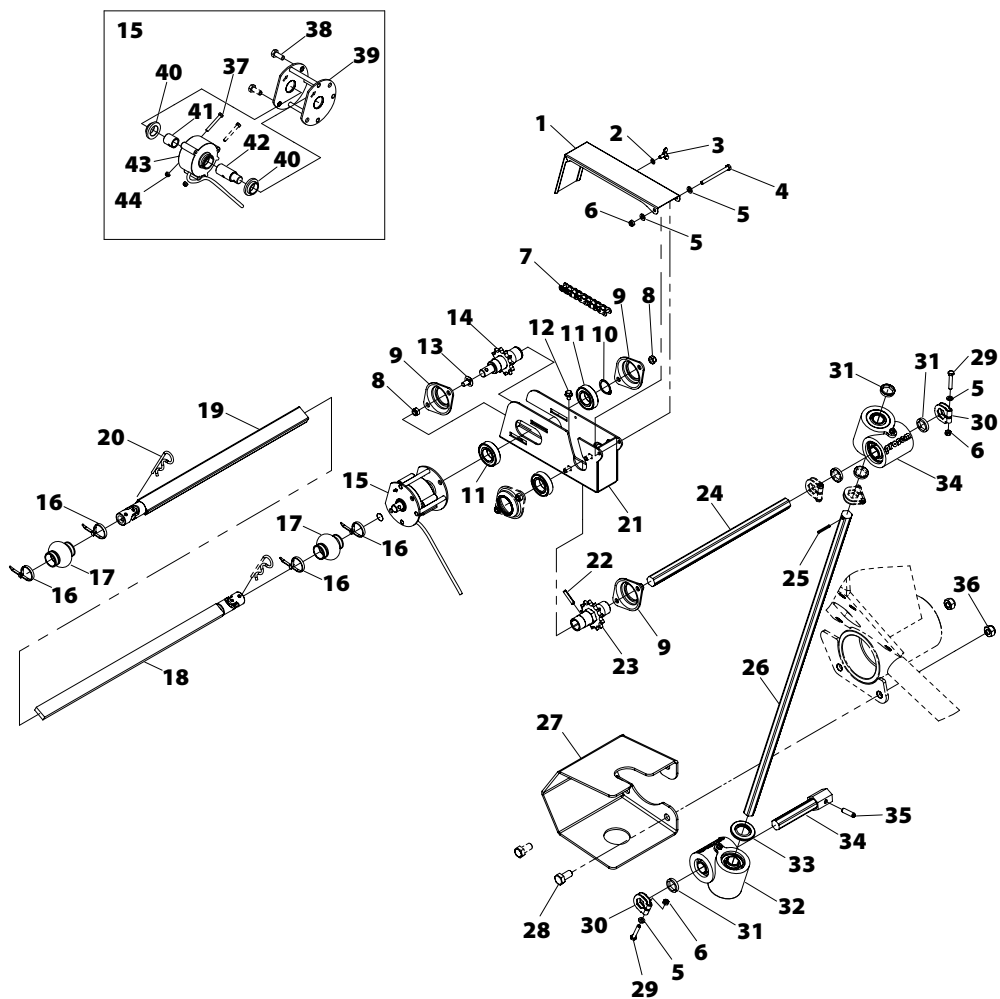
Nº	REFERENCIA	DENOMINACIÓN
1	PS-101309	SOPORTE VÁLVULAS CIERRE NEUMASEM
2	933 8X30 8.8 B	TORNILLO DIN 933 M8X30 8.8 BICROMATADO
3	125 8 BI	ARANDELA PLANA DIN-125 M8 BICROMATADA
4	985 8	TUERCA DIN 985 M8
5	FE-606023	BRIDA MIKALOR 25/40
6	MP-907018	MTS. MANGUERA SOLA 30 ANTIESTÁTICA (ROLLO 50 MTS.)
7	FE-611024	TAPÓN AGUJERO Ø36,5
8	PS-101347	RECOLECTOR INFERIOR 6 BOCAS NEUMASEM
9	933 8X25 8.8 B	TORNILLO DIN 933 8X25 8.8 BICROMATADO
10	MV-101336	CONTROLADOR RDS - KIT 3 SISTEMA TRAMLINES
11	PS-201315	SOPORTE CAJA RECOGIDA SEMILLA TRAMLINES
12	933 8X20 8.8 B	TORNILLO DIN 933 M8X20 8.8 BICROMATADO
13	985 6	TUERCA DIN 985 M6
14	PX-102832	TAPETA FINAL SOPORTE VÁLVULAS DE CIERRE SM-1909
15	MO-041305	VALVULA CIERRE COMPLETA NEUMASEM
16	ME-102815	SEPARADOR VALVULA DE CIERRE SM-1909
17	CT-101370	EJE VÁLVULAS
18	CT-101371	EJE CUADRADO GUIADO
19	PX-102834	BIELA B CIERRE VÁLVULAS SM-1909
20	EE-101318	TUBO BIELA UNIÓN VÁLVULAS NEUMASEM
21	934 12	TUERCA DIN 934 M12
22	EE-101337	BIELA ROSCADA UNIÓN VALV. NEUMASEM 600/48
23	94 3x20 BI	PASADOR DE ALETAS DIN 94 M 3X20 BICROMATADO
24	CO-101301	CILINDRO ELÉCTRICO LA 12.1-44-12-01 IP65
25	985 10	TUERCA DIN 985 M10
26	EE-101325	PROLONGACIÓN CILINDRO ELE NEUMASEM
27	PX-101318	MEDIACAÑA PROLONGACIÓN CILINDRO ELEC. NEUMASEM
28	1481 6X30 BI	PASADOR ELÁSTICO DIN 1481 M 6X30 BICROMATADO
29	ML-101301	MUELLE PROLONGACIÓN CILIN ELÉCTRICO NEUMASEM
30	933 10x30 8.8 B	TORNILLO DIN 933 M10X30 8.8 BICROMATADO



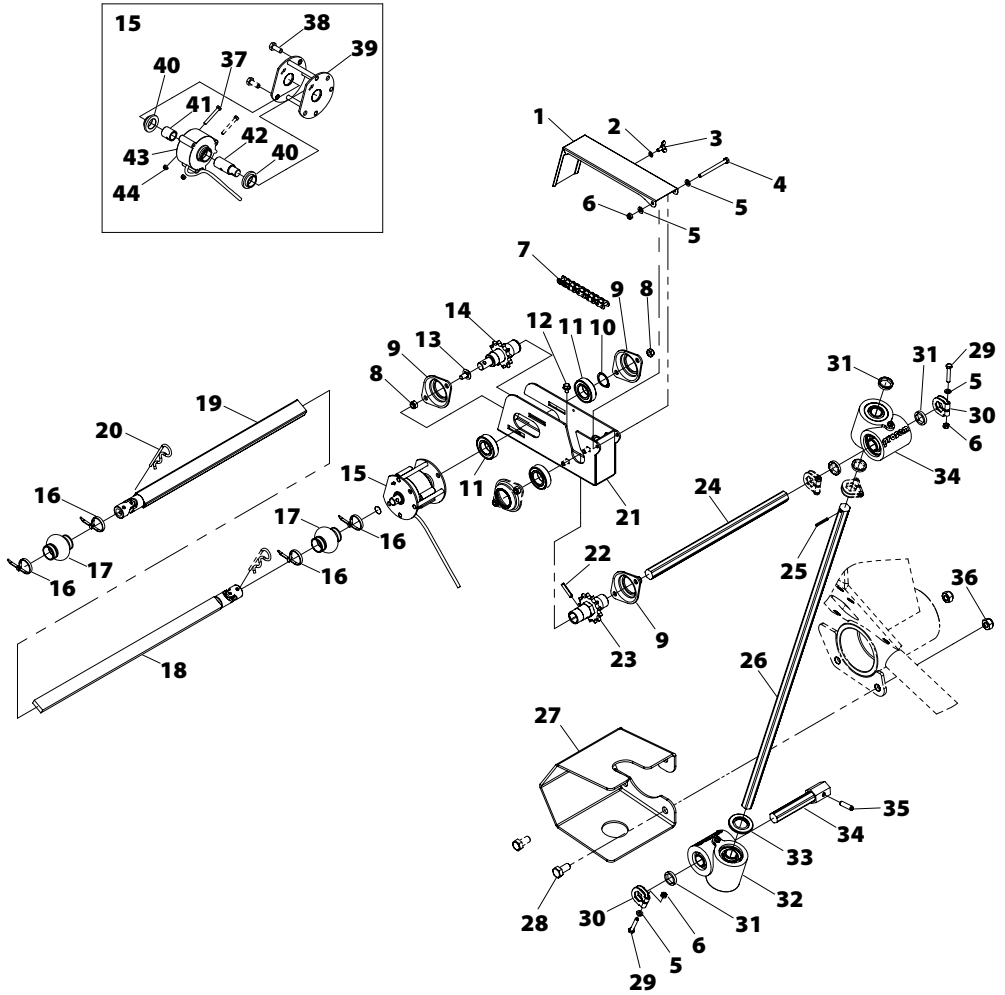
Nº	REFERENCIA	DENOMINACIÓN
31	933 10X35 8.8 B	TORNILLO DIN 933 M10X35 8.8 BICROMATADO
32	PX-102833	BIELA UNIÓN VÁLVULAS SM 1909
33	MV-101336-01	CARATULA MONITOR NEUMASEM-PLUS
34	MV-101336-02	SENSOR MAGNÉTICO TRAZADOR C/CABLE (1 UNIDAD)



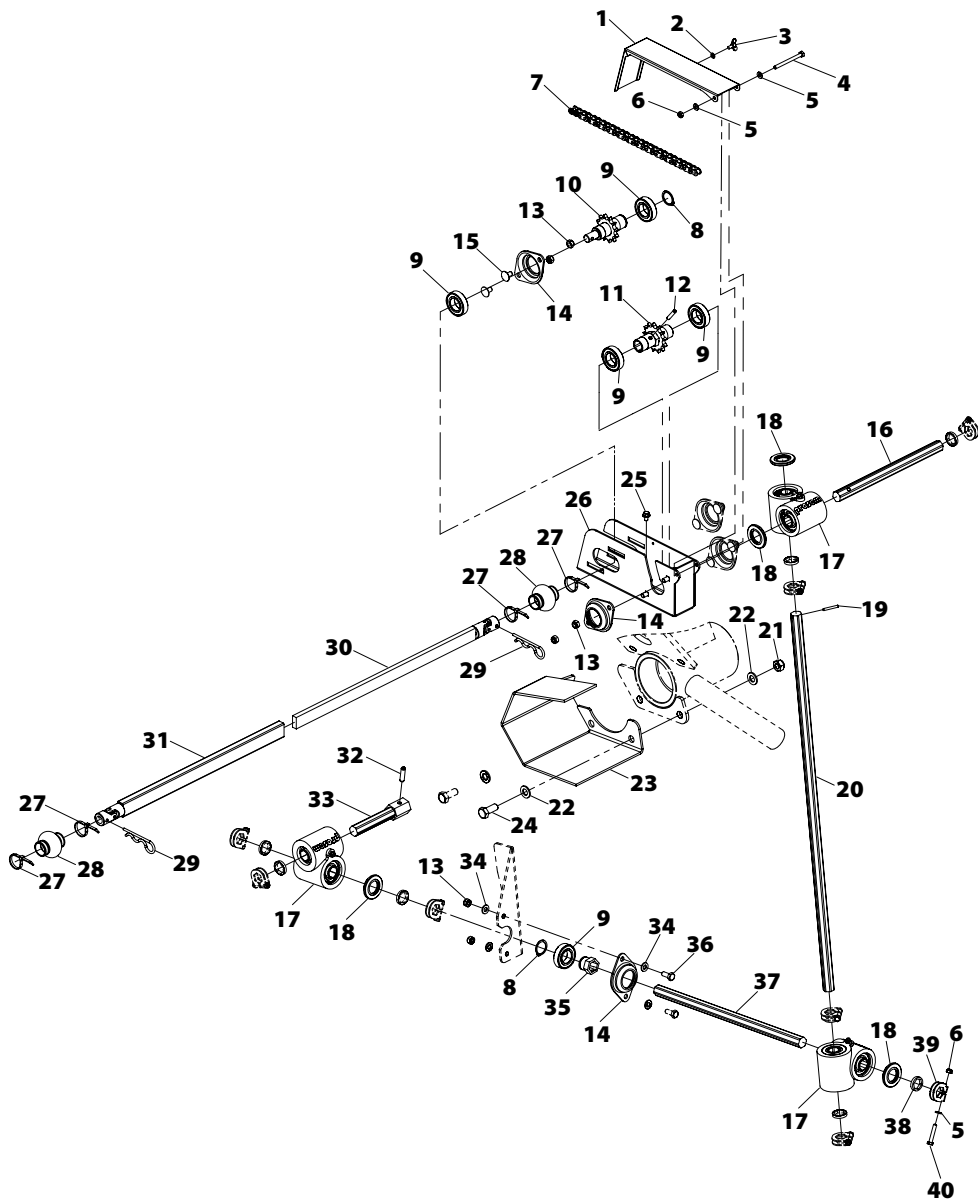
Nº	REFERENCIA	DENOMINACIÓN
1	PX-042805	TAPA PROTECCIÓN CAJA TRANSMISIÓN
2	125 5 BI	ARANDELA PLANA DIN-125 M5 BICROMATADA
3	316 5x10 BI	TORNILLO MARIPOSA DIN-316 M-5X10 BICROMATADO
4	931 6X70 8.8 B	TORNILLO DIN 931 M 6X70 8.8 BICROMATADO
5	125 6 BI	ARANDELA PLANA DIN 125 M6 BICROMATADA
6	985 6	TUERCA DIN 985 M6
7	FE-605107	CADENA 1/2" ISO 08B-1 L=457,2 35P+1E ABIERTA
8	985 8	TUERCA DIN 985 M8
9	EE-041701	SOPORTE RODAMIENTO 6005 PROSEM
10	471 25	ANILLO SAEGER DIN 471 25
11	FE-600047	RODAMIENTO 6005 2RS CLASE C CNR
12	6921 6X10 8.8 B	TORNILLO DIN 6921 M6X10 8.8 BICROMATADO
13	603 8X15 BI C-C	TORNILLO DIN 603 M8X15 CUELLO CORTO BICROMATADO
14	PS-042810	PIÑÓN CONDUcido 12Z 450/500/600
14	PS-042811	PIÑÓN CONDUcido 15Z 400
15	EO-102802	CORTE TOTAL SIEMBRA SM-1909
16	FE-606013	BRIDA NYLON 4,8X200
17	PL-041714	FUELLE JUNTA UNIVERSAL 104G
18	PS-041324	PASAMANO MACHO TRANSM. TELESC. NEUMASEM
19	PS-041325	TUBO HEMBRA TRANSM. TELESC. NEUMASEM
20	FE-610003	PASADOR "R" DE 4 MM
21	PX-042803	CHAPA INFERIOR CAJA TRANSMISIÓN
22	1481 6X30 BI	PASADOR ELÁSTICO DIN 1481 M 6X30 BICROMATADO
23	PS-042809	PIÑÓN MOTRIZ 13Z 400/500
23	PS-042805	PIÑÓN MOTRIZ 12Z 450
23	PS-042804	PIÑÓN MOTRIZ 15Z 600
24	TA-042800	EJE HORIZONTAL HEXAGONAL 19
25	1481 4X30 BI	PASADOR ELÁSTICO DIN 1481 M 4X30 BICROMATADO
26	TA-041313	EJE VERTICAL HEXAGONAL 19
27	PX-012840	PROTECCIÓN TRANSMISIÓN RUEDA MÁQUINA



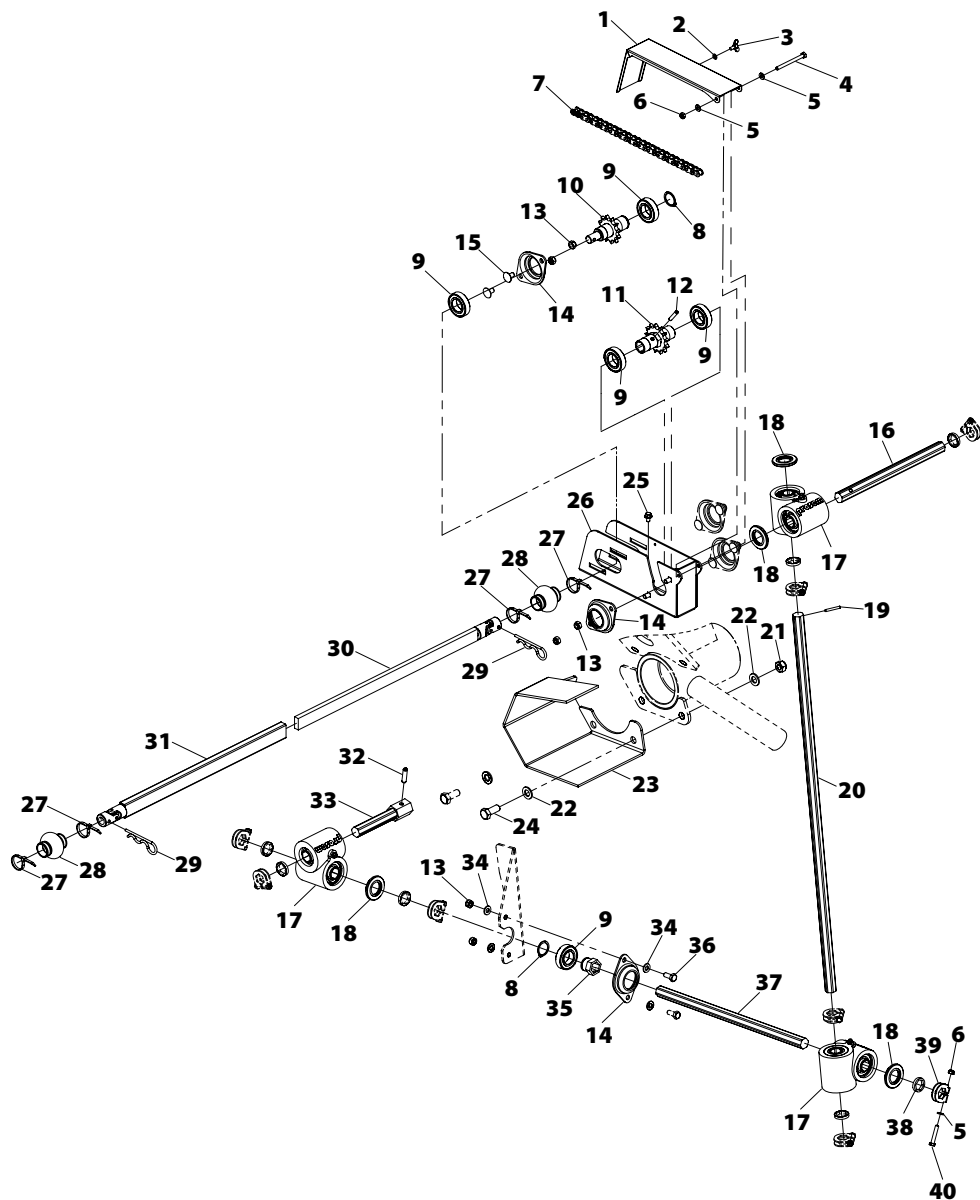
Nº	REFERENCIA	DENOMINACIÓN
28	933 12X25 8.8 B	TORNILLO DIN 933 M12X25 8.8 BICROMATADO
29	931 6X35 8.8 B	TORNILLO DIN 931 6X35 8.8 BICROMATADO
30	PX-141726	BLOQUEADOR HEX. 19
31	PX-042820	DISTANCIADOR HEX. 19 E=5
32	CO-141736	TRANSMISIÓN 90º HEX. 19 1:1 (S.W. 2023)
33	FE-601074	RETÉN SIMPLE LABIO 25X47X5
34	PS-042806	EJE ADAPTADOR RUEDA MÁQUINA
35	1481 8X30 BI	PASADOR ELÁSTICO DIN 1481 M 8X30 BICROMATADO
36	985 12	TUERCA DIN 985 M12
37	931 5X40 8.8 BI	TORNILLO DIN 931 M-5X40 8,8 BICROMATADO
38	933 8X20 8.8 B	TORNILLO DIN 933 M8X20 8.8 BICROMATADO
39	PS-042812	SOPORTE EMBRAGUE
40	PL-020204	CASQUILLO 20,2X25X10
41	ME-102802	CASQUILLO ADAPTADOR CORTE TOTAL SIEMBRA
42	ME-101333	MACHO CORTE TOTAL SIEMBRA 08
43	MV-100603	MOTOR MARCADOR DE CAMINOS Ø20 IZDA FIJACIÓN PASAD
44	985 5	TUERCA DIN 985 M5 BICROMATADO



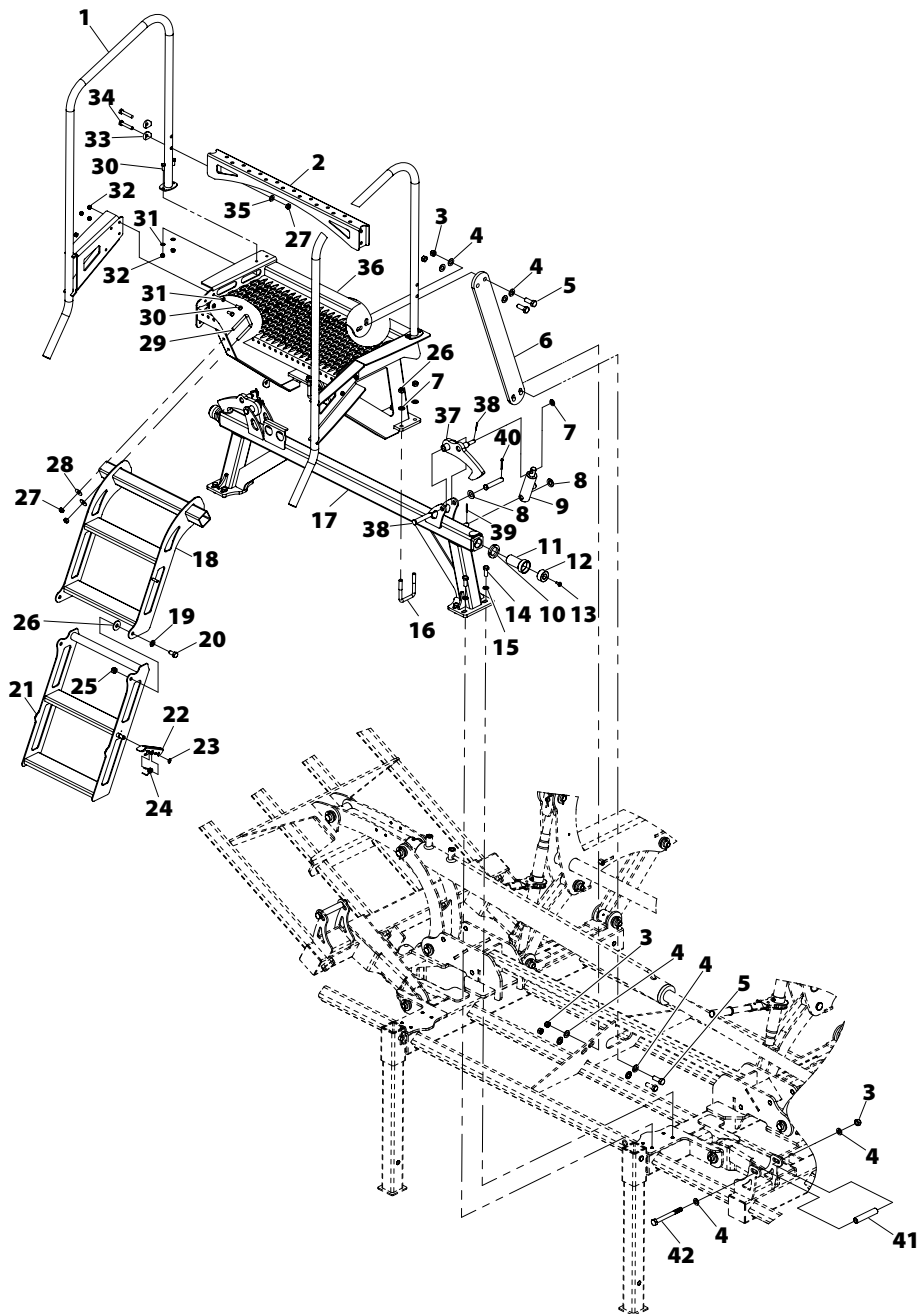
Nº	REFERENCIA	DENOMINACIÓN
1	PX-042805	TAPA PROTECCION CAJA TRANSMISIÓN
2	125 5 BI	ARANDELA PLANA DIN-125 M5 BICROMATADA
3	316 5x10 BI	TORNILLO MARIPOSA DIN-316 M-5X10 BICROMATADO
4	931 6X70 8.8 B	TORNILLO DIN 931 M 6X70 8.8 BICROMATADO
5	125 6 BI	ARANDELA PLANA DIN 125 M6 BICROMATADA
6	985 6	TUERCA DIN 985 M6
7	FE-605107	CADENA 1/2" ISO 08B-1 L=457,2 35P+1E ABIERTA
8	471 25	ANILLO SAEGER DIN 471 25
9	FE-600047	RODAMIENTO 6005 2RS CLASE C CNR
10	PS-042810	PIÑÓN CONDUCCION 12Z 450/500/600
10	PS-042811	PIÑÓN CONDUCCION 15Z 400
11	PS-042805	PIÑÓN MOTRIZ 12Z 450
11	PS-042809	PIÑÓN MOTRIZ 13Z 400/500
11	PS-042804	PIÑÓN MOTRIZ 15Z 600
12	1481 6X30	OBSOLETO
13	985 8	TUERCA DIN 985 M8
14	EE-041701	SOPORTE RODAMIENTO 6005 PROSEM
15	603 8X15 BI C-C	TORNILLO DIN 603 M8X15 CUELLO CORTO BICROMATADO
16	TA-042800	EJE HORIZONTAL HEXAGONAL 19
17	CO-141736	TRANSMISIÓN 90° HEX. 19 1:1 (S.W. 2023)
18	FE-601074	RETEN SIMPLE LABIO 25X47X5
19	1481 4X30 BI	PASADOR ELASTICO DIN 1481 M 4X30 BICROMATADO
20	TA-041313	EJE VERTICAL TRANSMISIÓN MECANICA
21	985 12	TUERCA DIN 985 M12
22	125 12 BI	ARANDELA PLANA DIN 125 12 BICROMATADA
23	PX-011352	PROTECCION TRANSMISIÓN RUEDA MAQUINA CLTV NS-PLUS
24	933 12X30 8.8 B	TORNILLO DIN 933 M12X30 8.8 BICROMATADO
25	6921 6X10 8.8 B	TORNILLO DIN 6921 M6X10 8.8 BICROMATADO
26	PX-042803	CHAPA INFERIOR CAJA TRANSMISIÓN
27	FE-606013	BRIDA NYLON 4,8X200



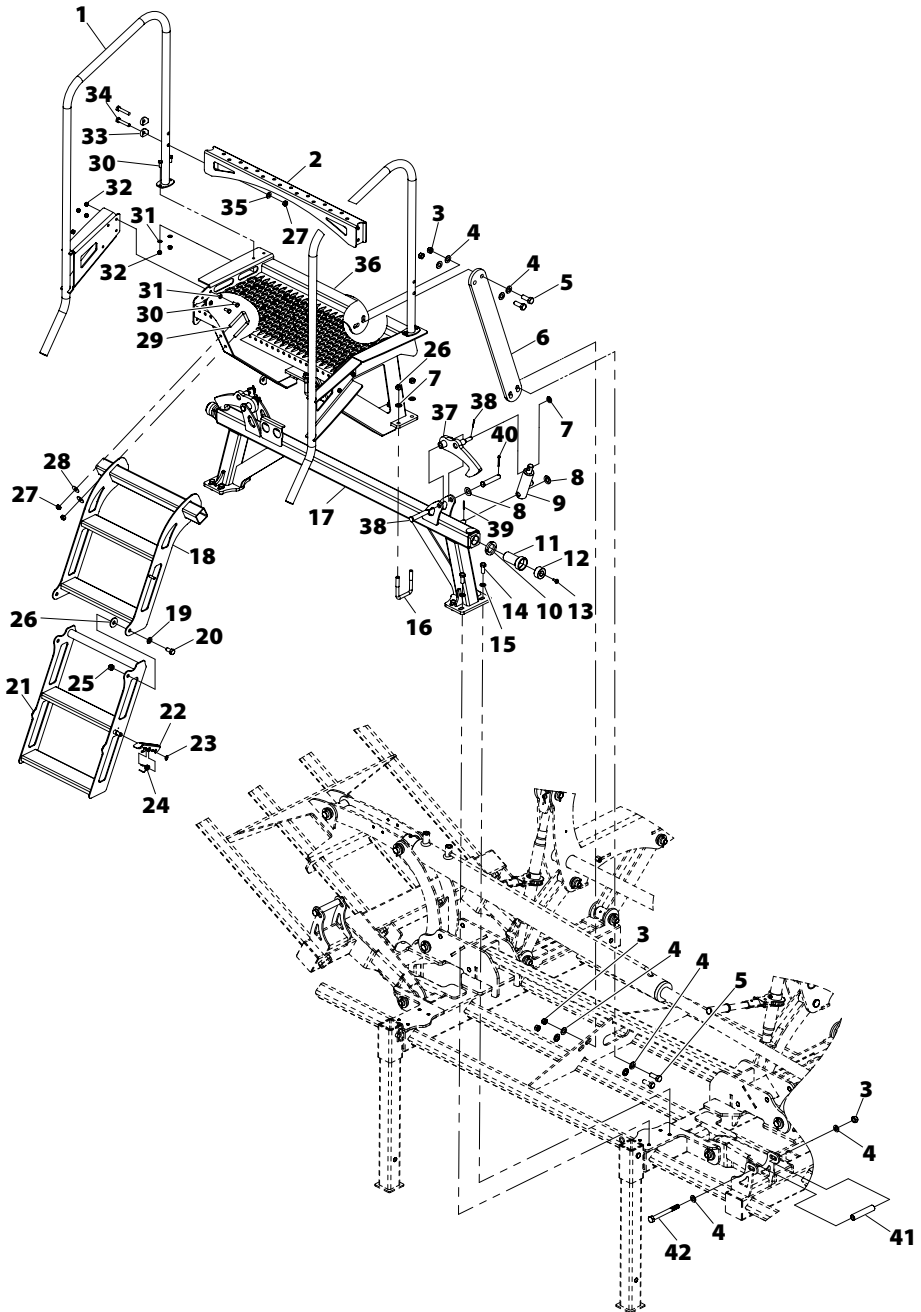
Nº	REFERENCIA	DENOMINACIÓN
28	PL-041714	FUELLE JUNTA UNIVERSAL 104G
29	FE-610003	PASADOR "R" DE 4 MM
30	PS-041324	PASAMANO MACHO TRANSM. TELESC. NEUMASEM
31	PS-041325	TUBO HEMBRA TRANSM. TELESC. NEUMASEM
32	1481 8X30 BI	PASADOR ELASTICO DIN 1481 M 8X30 BICROMATADO
33	PS-042806	EJE ADAPTADOR RUEDA MAQUINA
34	125 8 BI	ARANDELA PLANA DIN-125 M8 BICROMATADA
35	ME-041711	EJE TUBO HEX. PARA 6005 P.V. PROSEM
36	933 8X20 8.8 B	TORNILLO DIN 933 M8X20 8.8 BICROMATADO
37	CT-041340	BARRA HEXAGONAL HORIZONTAL
38	PX-042820	DISTANCIADOR HEX. 19 E=5
39	PX-141726	BLOQUEADOR HEX. 19
40	931 6X35 8.8 B	TORNILLO DIN 931 6X35 8.8 BICROMATADO



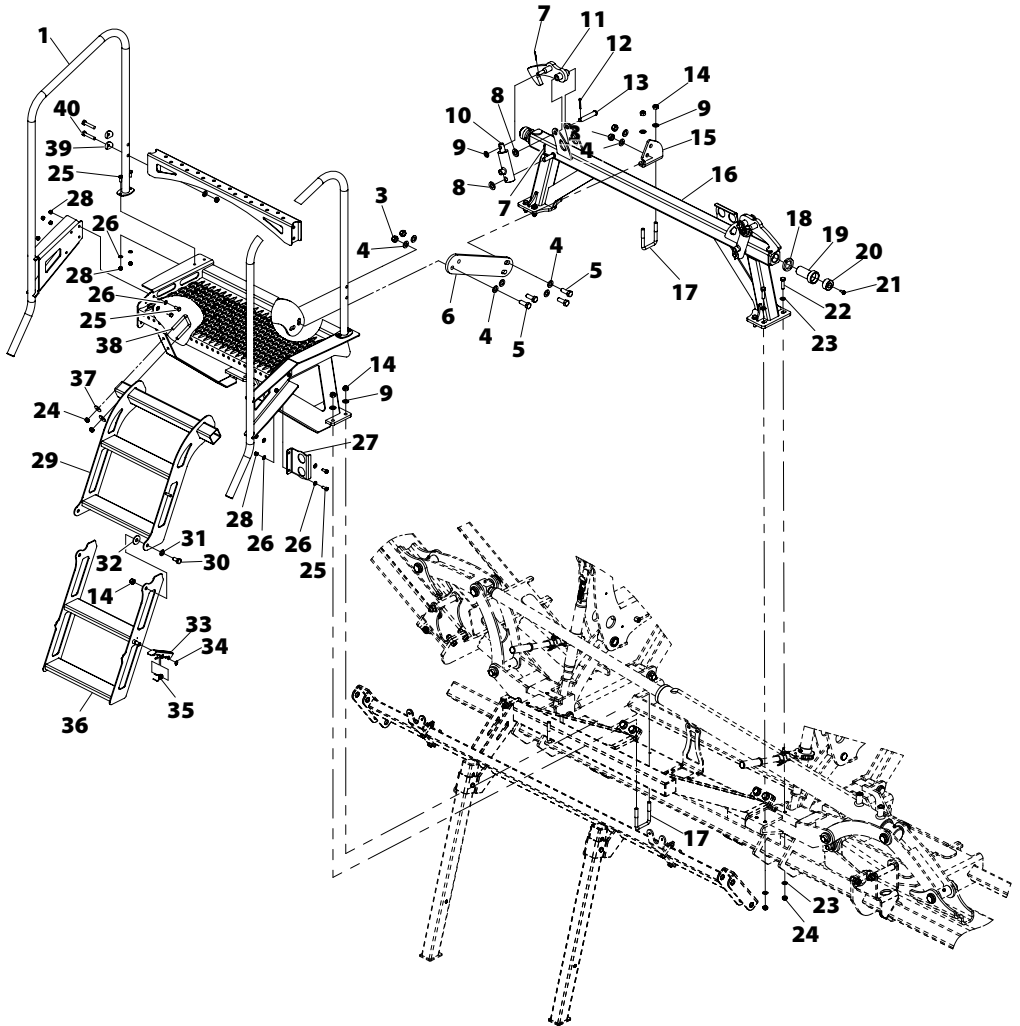
Nº	REFERENCIA	DENOMINACIÓN
1	PS-071330-D	BARANDILLA EN ESCALERA DERECHA NS-PLUS-2311
1	PS-071330-I	BARANDILLA EN ESCALERA IZQUIERDA NS-PLUS-2311
2	PS-072816	PELDAÑO SUPERIOR UNIÓN BARANDAS
3	985 14	TUERCA DIN 985 M14
4	125 14	ARAN PLANA 14 PULIDA
5	933 14X40 8.8 B	TORNILLO DIN 933 M14X40 8.8 BICROMATADO
6	PX-071315	TIRANTE ESCALERA NS-PLUS-2311
7	125 12 BI	ARANDELA PLANA DIN 125 12 BICROMATADA
8	125 16 BI	ARANDELA DIN 125 M16 BICROMATADA
9	CO-072800	CILINDRO S.E.M. Ø20/130-158
10	981 35-150 BI	VIROLA SEGURIDAD DIN 981 M35X1.5 KM7
11	ME-072804	TOPE M35/150 EQUIPO CENTRAL-LATERAL
12	PL-072801	TOPE NYLON Ø42
13	6921 6X16 8.8 B	TORNILLO DIN 6921 M6X16 8.8 BICROMATADO
14	933 12X30 8.8 B	TORNILLO DIN 933 M12X30 8.8 BICROMATADO
15	127 12 BI	ARANDELA GROW DIN 127 M12 BICROMATADA
16	EE-053110	BRIDA TUBO 60 M-12X88 LAMUSA
17	PS-071334	SOPORTE BASTIDOR ESCALERA NS-PLUS
18	PS-071332	ESCALERA SUPERIOR FIJA NS-PLUS-2311
19	125 12	ARANDELA PLANA 12
20	933 12X25 8.8 B	TORNILLO DIN 933 M12X25 8.8 BICROMATADO
21	PS-071331	ESCALERA INFERIOR MÓVIL NS-PLUS-2311
22	PX-072835	SEGURO ESCALERA
23	471 12	ANILLO SAEGER DIN 471 12
24	ML-072800	MUELLE TORSIÓN SEGURO ESCALERA
25	985 12	TUERCA DIN 985 M12
26	9021 12 BI	ARANDELA DIN 9021 M12 BICROMATADA
27	985 10	TUERCA DIN 985 M10
28	9021 12 BI	ARANDELA DIN 9021 M12 BICROMATADA
29	EE-101717	BRIDA 50 SOPORTE MICRO PROSEM



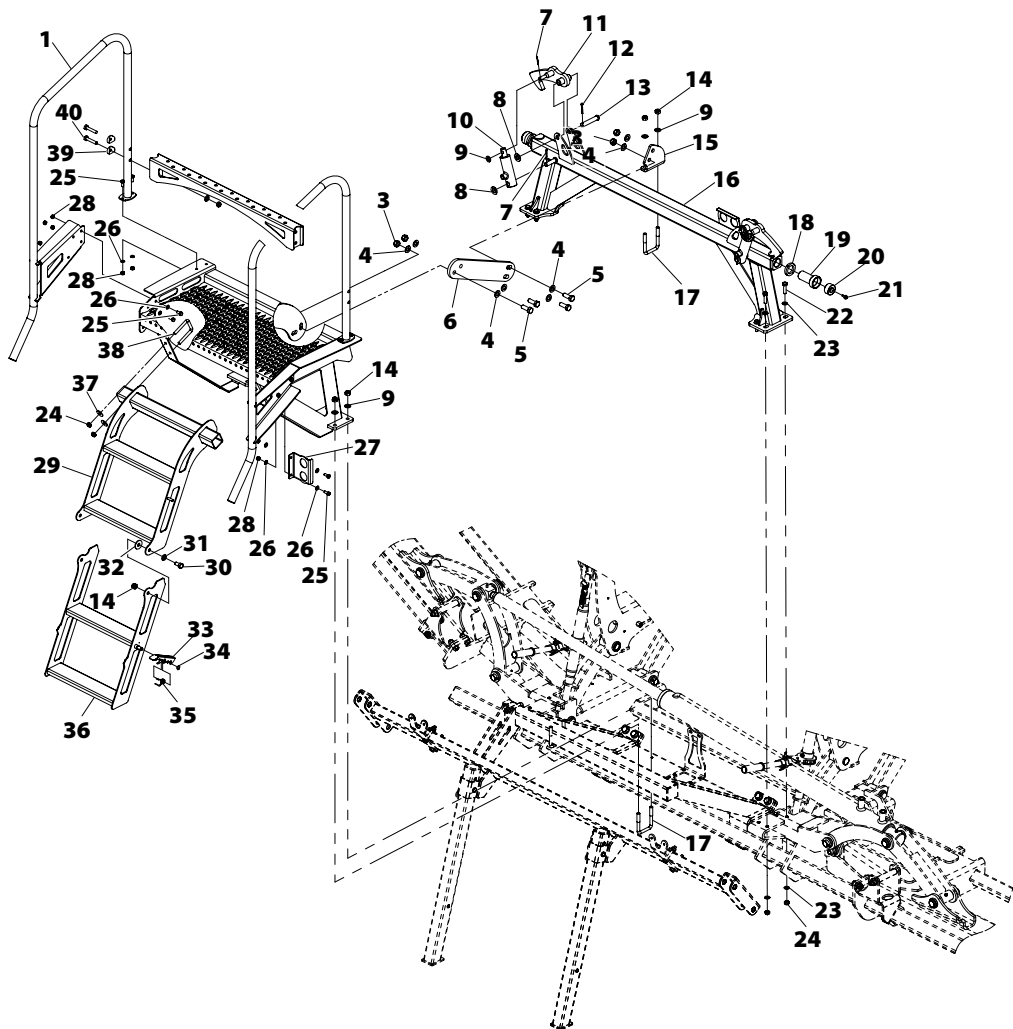
Nº	REFERENCIA	DENOMINACIÓN
30	933 8X20 8.8 B	TORNILLO DIN 933 M8X20 8.8 BICROMATADO
31	125 8 BI	ARANDELA PLANA DIN-125 M8 BICROMATADA
32	985 8	TUERCA DIN 985 M8
33	PL-072802	ARANDELA CURVADA M10 PARA Ø30-34
34	931 10X55 B	TORNILLO DIN 931 M10X55 8.8 BICROMATADO
35	125 11 BI	ARANDELA DIN 125 M11 BICROMATADA
36	PS-071329	BASTIDOR ESCALERA NS-PLUS-2311
36	PS-071335-D	SEGURO DER.EQUIPOS LATERALES NS-PLUS-2311
37	PS-071335-I	SEGURO IZQ. EQUIPOS LATERALES NS-PLUS 2311
38	94 3,5X28 BI	PASADOR DE ALETAS DIN 94 M3,5X28 BICROMATADO
39	BU-050203	BULÓN Ø16X90 ESTAMPADO
40	94 5X35 BI	PASADOR DE ALETAS DIN 94 M5X35 BICROMATADO
41	ME-072805	SEPARADOR Ø15/22-109
42	931 14X140 8.8 BI	TORNILLO DIN 931 M14X140 8.8 BICROMATADO



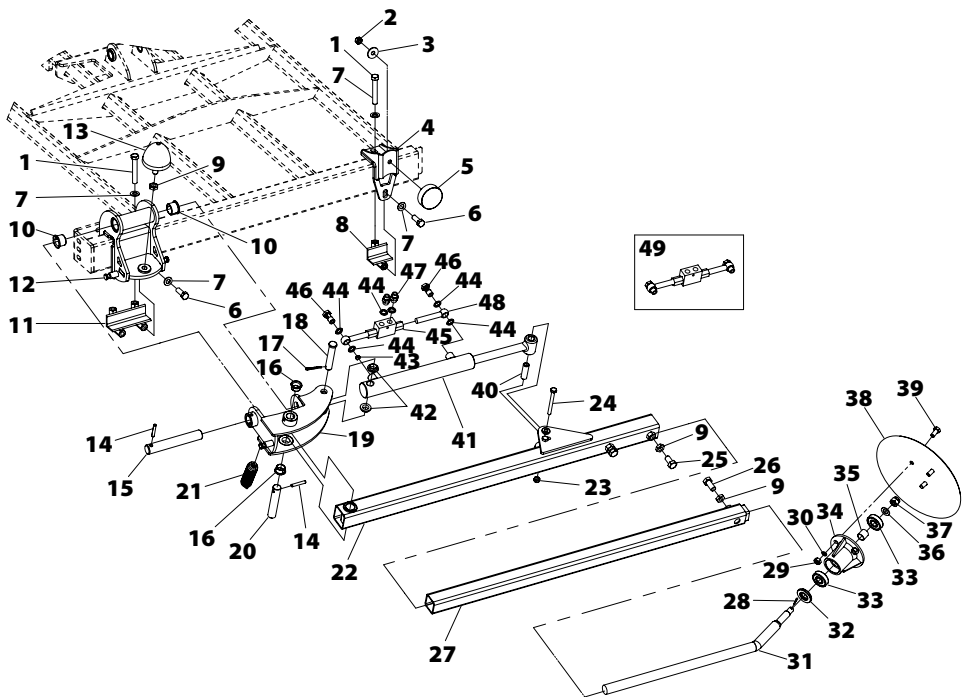
Nº	REFERENCIA	DENOMINACIÓN
1	PS-071330-I	BARANDILLA EN ESCALERA IZQUIERDA NS-PLUS-2311
1	PS-071330-D	BARANDILLA EN ESCALERA DERECHA NS-PLUS-2311
2	PS-072816	PELDAÑO SUPERIOR UNIÓN BARANDAS
3	985 14	TUERCA DIN 985 M14
4	125 14 BI	ARANDELA DIN-125 M14 BICROMATADA
5	931 14X40 8.8 B	TORNILLO DIN 931 M 14X40 8.8 BICROMATADO
6	PX-151345	TIRANTE PARA ESCALERA
7	94 3,5X28 BI	PASADOR DE ALETAS DIN 94 M 3,5X28 BICROMATADO
8	125 16 BI	ARANDELA DIN 125 M16 BICROMATADA
9	125 12 BI	ARANDELA PLANA DIN 125 12 BICROMATADA
10	CO-072800	CILINDRO S.E.M. Ø20/130-158
11	PS-071335-D	SEGURO DER.EQUIPOS LATERALES NS-PLUS-2311
11	PS-071335-I	SEGURO IZQ. EQUIPOS LATERALES NS-PLUS 2311
12	94 5X35 BI	PASADOR DE ALETAS DIN 94 M 5X35 BICROMATADO
13	BU-050203	BULÓN Ø16X90 ESTAMPADO
14	985 12	TUERCA DIN 985 M12
15	PX-151349	SOPORTE TIRANTE ESCALERA
16	PS-071334	SOPORTE BASTIDOR ESCALERA NS-PLUS
17	EE-053110	BRIDA TUBO 60 M-12X88 LAMUSA
18	981 35-150	VIROLA SEGURIDAD DIN 981 M35X1.5 KM7
19	ME-072804	TOPE M35/150 EQUIPO CENTRAL-LATERAL
20	PL-072801	TOPE NYLON Ø42
21	6921 6X16 8.8 B	TORNILLO DIN 6921 M6X16 8.8 BICROMATADO
22	931 10X40 8.8 B	TORNILLO DIN 931 M-10X40 8.8 BICROMATADO
23	125 10 BI	ARANDELA PLANA DIN 125 M10 BICROMATADA
24	985 10	TUERCA DIN 985 M10
25	933 8X20 8.8 B	TORNILLO DIN 933 M8X20 8.8 BICROMATADO
26	125 8 BI	ARANDELA PLANA DIN-125 M8 BICROMATADA
27	PX-071332	SOPORTE ENCHUFES HIDRÁULICOS DISCOS
28	985 8	TUERCA DIN 985 M8



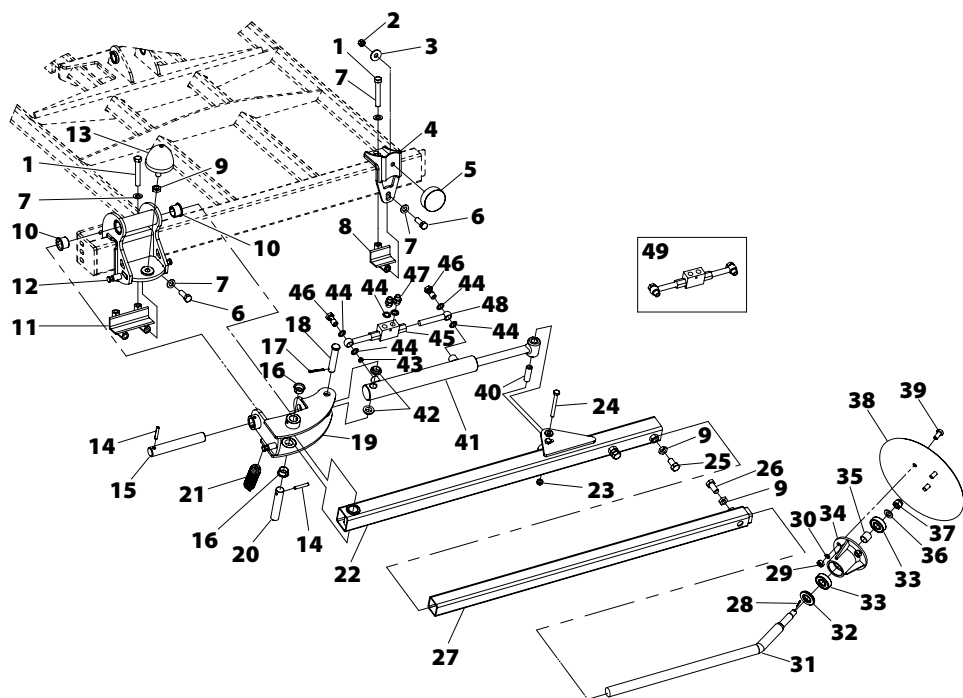
Nº	REFERENCIA	DENOMINACIÓN
29	PS-071332	ESCALERA SUPERIOR FIJA NS-PLUS-2311
30	933 12X25 8.8 B	TORNILLO DIN 933 M12X25 8.8 BICROMATADO
31	125 12	ARANDELA PLANA 12
32	9021 12 PA	ARANDELA DIN 9021 M12 POLIAMIDA 6.6
33	PX-072835	SEGURO ESCALERA
34	471 12	ANILLO SAEGER DIN 471 12
35	ML-072800	MUELLE TORSIÓN SEGURO ESCALERA
36	PS-071331	ESCALERA INFERIOR MÓVIL NS-PLUS-2311
37	9021 10 BI	ARANDELA DIN 9021 M10 BICROMATADA
38	EE-101717	BRIDA 50 SOPORTE MICRO PROSEM
39	PL-072802	ARANDELA CURVADA M10 PARA Ø30-34
40	931 10X55 8.8 B	TORNILLO DIN 931 M10X55 8.8 BICROMATADO
41	PS-071329	BASTIDOR ESCALERA NS-PLUS-2311



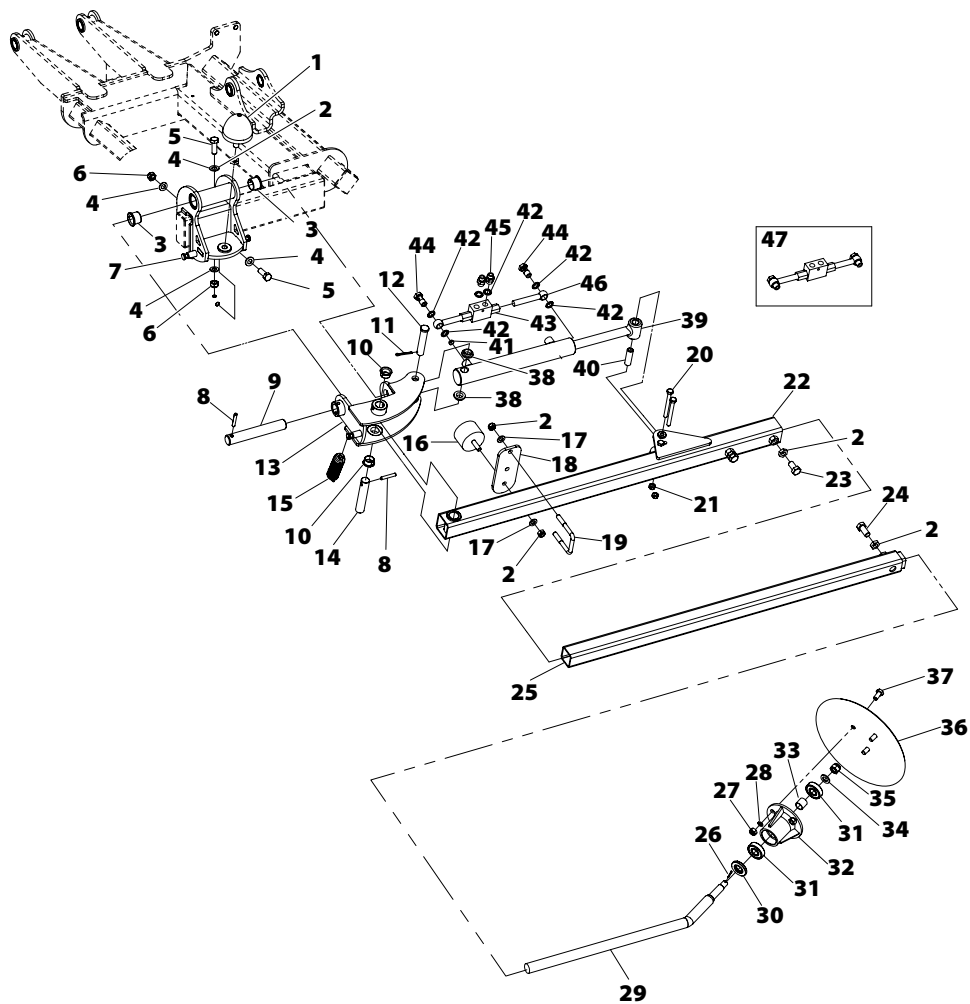
Nº	REFERENCIA	DENOMINACIÓN
1	931 14X90 BI	TORNILLO DIN 931 M14X90 BICROMATADO
2	985 12	TUERCA DIN 985 M12
3	9021 12 BI	ARANDELA DIN 9021 M12 BICROMATADA
4	PS-102817	SOPORTE TOPE TRAZADOR SM-1909
5	FE-660009	TOPE GOMA Ø75x25 M12x37
6	933 14X40 8.8 B	TORNILLO DIN 933 M14X40 8.8 BICROMATADO
7	125 14 BI	ARANDELA DIN-125 M14 BICROMATADA
8	PS-102818	BRIDA TOPE TRAZADOR
9	936 16 BI	TUERCA DIN 936 M16 BICROMATADA
10	FE-600129	CASQUILLO DE FRICCIÓN 30x34x26 C/VALONA
11	PS-102802	BRIDA SOPORTE TRAZADOR
12	PS-102828	SOPORTE TRAZADOR SM-1909
13	FE-660030	TOPE PROGRESIVO CÓNICO PLANO GOMA M16
14	1481 8X50 BI	PASADOR ELÁSTICO DIN 1481 M 8X50 BICROMATADO
15	BU-102800	BULÓN ARTICULACIÓN
16	FE-600018	CASQUILLO DE FRICCIÓN 25/28/16,5
17	94 5X40 BI	PASADOR DE ALETAS DIN 94 M 5X40 BICROMATADO
18	BU-051303	BULÓN 20 X 100 BICROMATADO NEUMASEM
19	PS-102832	SOPORTE CILINDRO TRAZADOR
20	BU-102804	BULÓN BRAZO TRAZADOR Ø25
21	ML-042800	MUELLE TENSOR CORREA TURBINA
22	PS-102807	TUBO 60 TRAZADOR
23	985 10	TUERCA DIN 985 M10
24	931 10X100 8.8 B	TORNILLO DIN 931 10X100 8.8 BICROMATADO
25	933 16X30 8.8 B	TORNILLO DIN 933 M 16X30 8.8 BICROMATADO
26	933 16X35 8.8 B	TORNILLO DIN 933 M 16X35 8.8 BICROMATADO
27	PS-102808	TUBO 50 TELESCÓPICO TRAZADOR
28	94 3,5X28 BI	PASADOR DE ALETAS DIN 94 M 3,5X28 BICROMATADO
29	934 12 BI	TUERCA DIN 934 M12 BICROMATADA
30	7980 10 I	ARANDELA GROWER DIN 7980 10 INOX



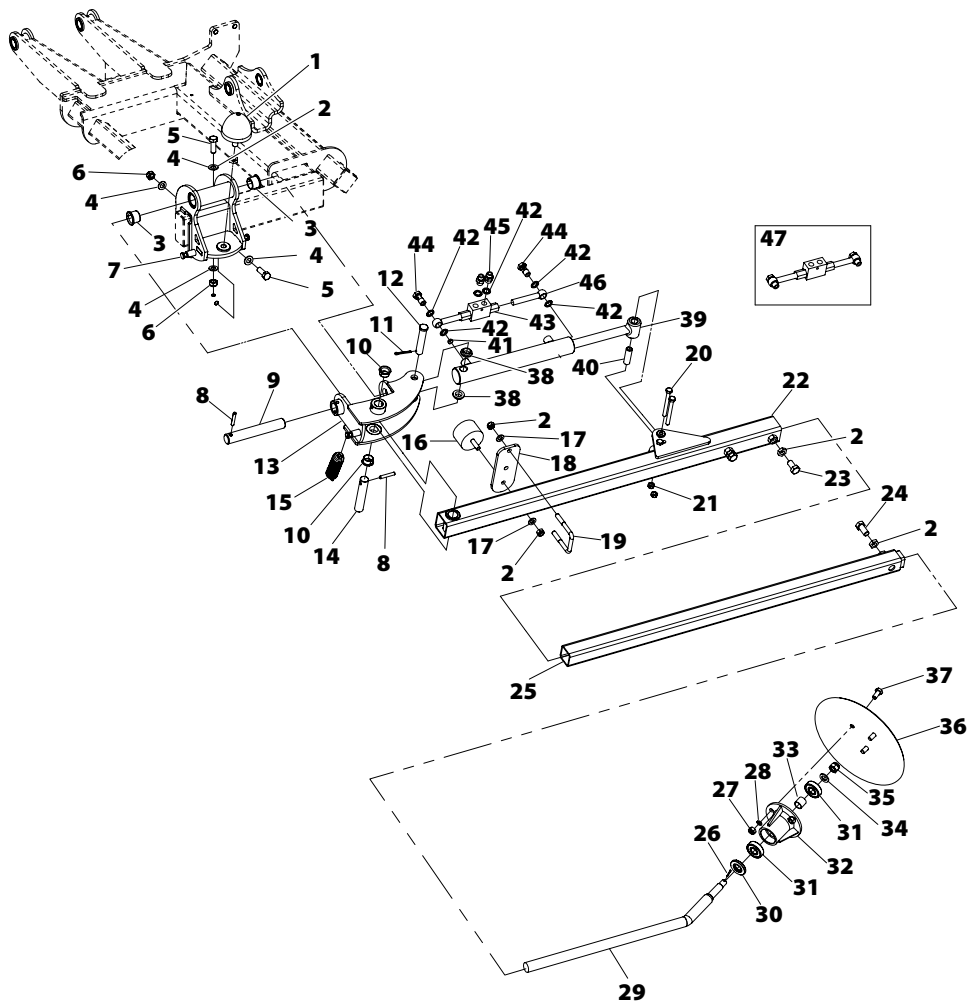
Nº	REFERENCIA	DENOMINACIÓN
31	PR-100201	EJE DISCO TRAZADOR PRENSA
32	FE-601000	RETÉN DOBLE LABIO 25X52X7
33	FE-600005	RODAMIENTO 6304 2RS -GPZ- CLASE C
34	B07-30	BUJE DISCO TRAZADOR
35	CT-100800	SEPARADOR BUJE TRAZADORES
36	125 16 BI	ARANDELA DIN 125 M16 BICROMATADA
37	935 16 BI	TUERCA DIN 935 M16 BICROMATADA
38	EE-100217	DISCO BRAZO TRAZADOR
39	933 12X25 8.8 B	TORNILLO DIN 933 M12X25 8.8 BICROMATADO
40	ME-102811	BULÓN ALOJAMIENTO FUSIBLE TRAZADOR
41	CO-052801	CILINDRO D.E. Ø40-25/580-820
42	PL-040207	CASQUILLO RODAMIENTO 20X25X10
43	ME-102816	RESTRICTOR ACEITE CIRCUITO TRAZADOR
44	HI-705003	ARANDELA METALBUNA 3/8"
45	HI-706001	VÁLVULA ANTIRETORNO PILOTADA DOBLE EFECTO 3/8
46	HI-702001	TORNILLO SIMPLE DE 3/8"
47	HI-704007	RACOR UNIÓN MF3/8"-MF3/8"
48	H-ESFERICO 3/8	ESFÉRICOS ROSCADOS 3/8
49	HI-706031	VÁLVULA ANTIRETORNO PILOTADA D.E 3/8" L=280



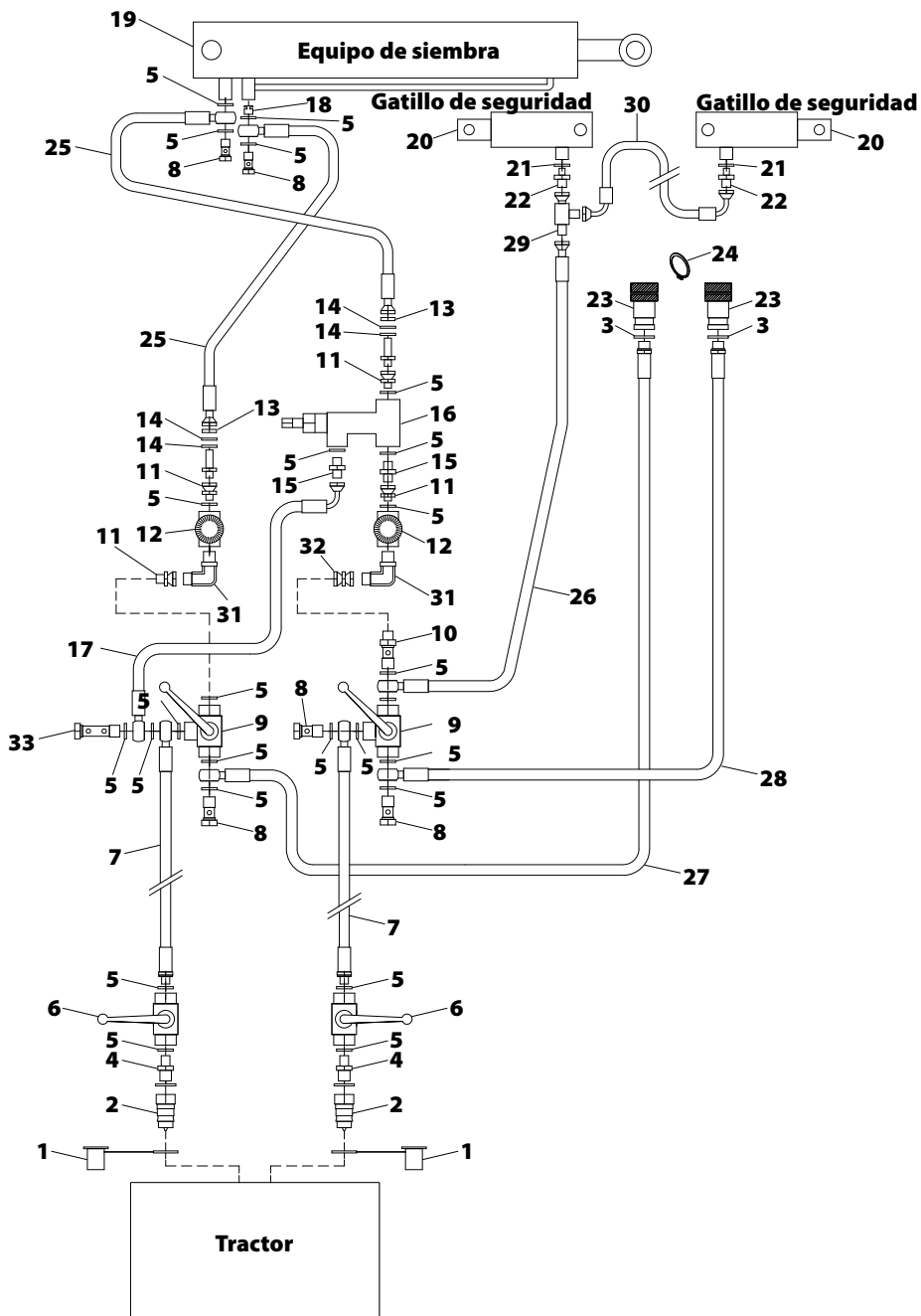
Nº	REFERENCIA	DENOMINACIÓN
1	FE-660030	TOPE PROGRESIVO CONICO PLANO GOMA M16
2	936 16 BI	TUERCA DIN 936 M16 BICROMATADO
3	FE-600129	CASQUILLO DE FRICCIÓN 30x34x26 C/VALONA
4	125 14 BI	ARANDELA DIN-125 M14 BICROMATADA
5	933 14X40 8.8 B	TORNILLO DIN 933 M14X40 8.8 BICROMATADO
6	985 14	TUERCA DIN 985 M14
7	PS-102828	SOPORTE TRAZADOR SM-1909
8	1481 8X50 BI	PASADOR ELÁSTICO DIN 1481 M 8X50 BICROMATADO
9	BU-102800	BULÓN ARTICULACIÓN
10	FE-600018	CASQUILLO DE FRICCIÓN 25/28/16,5
11	94 5X40 BI	PASADOR DE ALETAS DIN 94 M 5X40 BICROMATADO
12	BU-051303	BULÓN 20 X 100 BICROMATADO NEUMASEM
13	PS-102832	SOPORTE CILINDRO TRAZADOR
14	BU-102804	BULÓN BRAZO TRAZADOR Ø25
15	ML-042800	MUELLE TENSOR CORREA TURBINA
16	FE-660008	TOPE GOMA Ø75x50 M12x37
17	125 12 BI	ARANDELA PLANA DIN 125 12 BICROMATADA
18	PX-201367	TOPE TRAZADOR DISCOS
19	EE-053110	BRIDA TUBO 60 M-12X88 LAMUSA
20	931 10X100 8.8 B	TORNILLO DIN 931 10X100 8.8 BICROMATADO
21	985 10	TUERCA DIN 985 M10
22	PS-102807	TUBO 60 TRAZADOR
23	933 16X30 8.8 B	TORNILLO DIN 933 M 16X30 8.8 BICROMATADO
24	933 16X35 8.8 B	TORNILLO DIN 933 M 16X35 8.8 BICROMATADO
25	PS-102808	TUBO 50 TELESCÓPICO TRAZADOR
26	94 3,5X28 BI	PASADOR DE ALETAS DIN 94 M 3,5X28 BICROMATADO
27	934 12 BI	TUERCA DIN 934 M12 BICROMATADA
28	7980 10 I	ARANDELA GROWER DIN 7980 10 INOX
29	PR-100201	EJE DISCO TRAZADOR PRENSA
30	FE-601000	RETÉN DOBLE LABIO 25X52X7



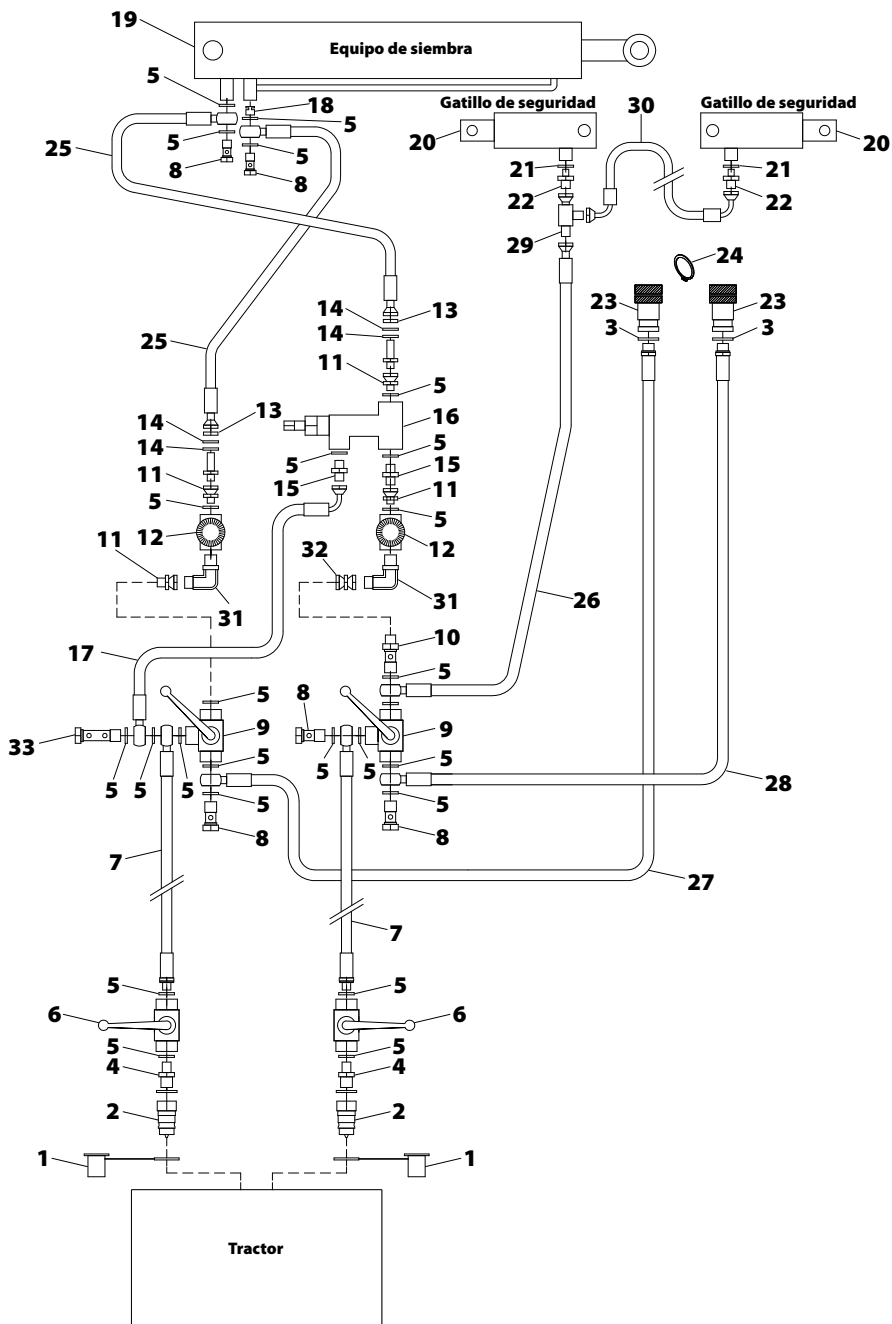
Nº	REFERENCIA	DENOMINACIÓN
31	FE-600005	RODAMIENTO 6304 2RS -GPZ- CLASE C
32	B07-30	BUJE DISCO TRAZADOR
33	CT-100800	SEPARADOR BUJE TRAZADORES
34	125 16 BI	ARANDELA DIN 125 M16 BICROMATADA
35	935 16 BI	TUERCA DIN 935 M16 BICROMATADA
36	EE-100217	DISCO BRAZO TRAZADOR
37	933 12X25 8.8 B	TORNILLO DIN 933 M12X25 8.8 BICROMATADO
38	PL-040207	CASQUILLO RODAMIENTO 20X25X10
39	CO-052801	CILINDRO D.E. Ø40-25/580-820
40	ME-102811	BULÓN ALOJAMIENTO FUSIBLE TRAZADOR
41	ME-102816	RESTRICTOR ACEITE CIRCUITO TRAZADOR
42	HI-705003	ARANDELA METALBUNA 3/8"
43	HI-706001	VÁLVULA ANTIRETORNO PILOTADA DOBLE EFECTO 3/8
44	HI-702001	TORNILLO SIMPLE DE 3/8"
45	HI-704007	RACOR UNIÓN MF3/8"-MF3/8"
46	H-ESFERICO 3/8	ESFÉRICOS ROSCADOS 3/8
47	HI-706031	VÁLVULA ANTIRETORNO PILOTADA D.E 3/8" L=280



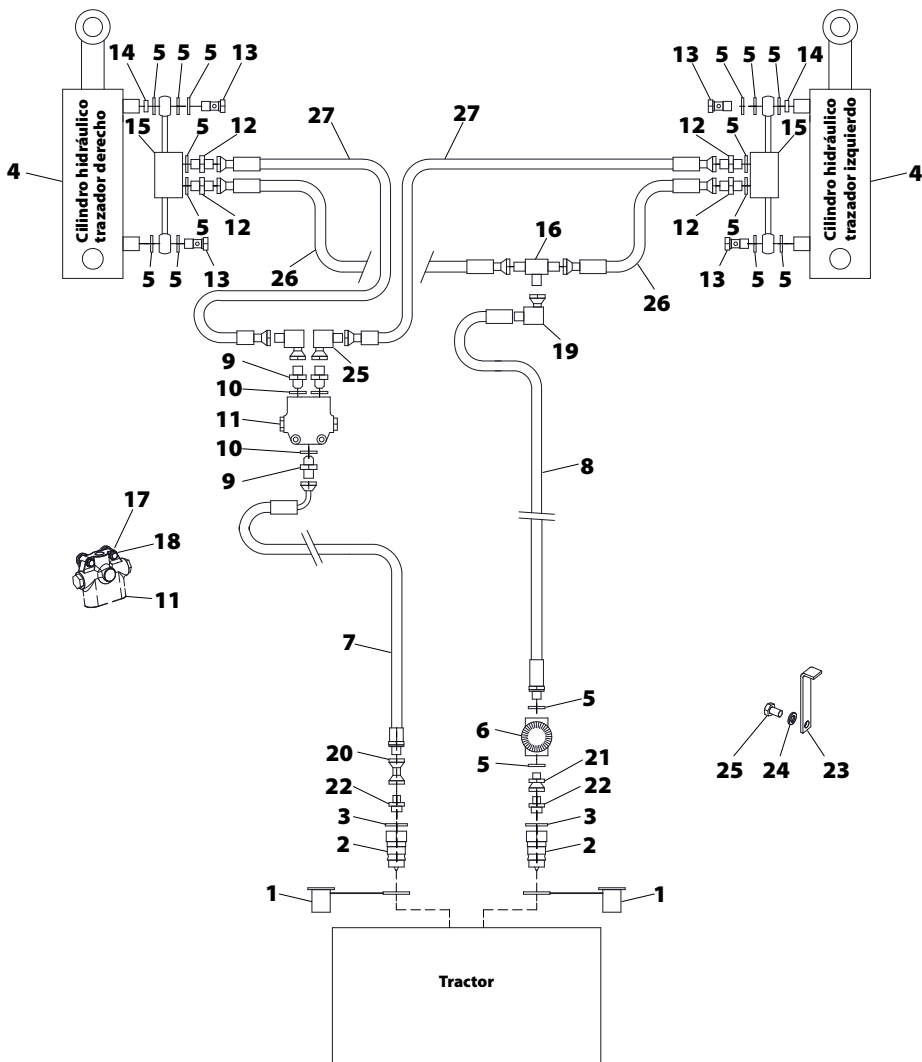
Nº	REFERENCIA	DENOMINACIÓN
1	HI-707001	PROTECTOR P/ACOPLAMIENTO HIDR. RAPIDO HEMBRA 1/2
2	HI-701000	ENCHUFE RÁPIDO MACHO 1/2" CETOP ISO A - TIPO FASTE
3	HI-705002	ARANDELA METALBUNA 1/2"
4	HI-704006	RACOR UNIÓN MF1/2"-MF3/8"
5	HI-705003	ARANDELA METALBUNA 3/8"
6	HI-706008	VALVULA CIERRE 2 VÍAS 3/8" HF-HF
7	HI-700228	TUBO R2AT 3/8" L=3,5M E 3/8"-M 3/8"
8	HI-702001	TORNILLO SIMPLE DE 3/8"
9	HI-706007	VÁLVULA 3 VIAS 3/8" H.H.H
10	HI-702004	TORNILLO SIMPLE DE 3/8" PROLONGADO 3/8"
11	HI-704017	RACOR UNIÓN MF3/8"-HG3/8"
12	HI-706002	ESTRANGULADOR UNIDIREC. FT 3/8"
13	HI-704028	RACOR PASATABIQUES 3/8" CON TUERCA
14	125 16 BI	ARANDELA DIN 125 M16 BICROMATADA
15	HI-704007	RACOR UNIÓN MF3/8"-MF3/8"
16	HI-706029	REGULADOR PRESIÓN SGRD03/G12 3/8" ROQUET
17	HI-700244	TUBO R2AT 3/8" L=0,40M E3/8"- HG90° 3/8"
18	HI-706003	VALV. PARACAIDAS HVP 3/8"
19	CO-052802	CILINDRO EQUIPO SIEMBRA 2010 SM-1909
19	CO-051308	CILINDRO EQUIPO SIEMBRA DOBLE DISCO
20	CO-072800	CILINDRO S.E.M. Ø20/130-158
21	HI-705001	ARANDELA METALBUNA 1/4
22	HI-704029	RACOR UNIÓN MF3/8"-MF1/4"
23	HI-701002	ENCHUFE RAPIDO HEMBRA 1/2 TIPO PUSH PULL
24	471 38	ANILLO SAEGER DIN 471 38
25	HI-700150	TUBO R2AT 3/8" L=1,3M TL 3/8"-E 3/8"
26	HI-700289	TUBO R2AT 3/8" L=1,6M E 3/8"-H90°G 3/8"
27	HI-700307	TUBO R2AT 3/8" L=1,8M E 3/8"-M 1/2"
28	HI-700306	TUBO R2AT 3/8" L=2M E 3/8"-M 1/2"
29	HI-703005	RACOR T M3/8"-M3/8" HG LATERAL 3/8"



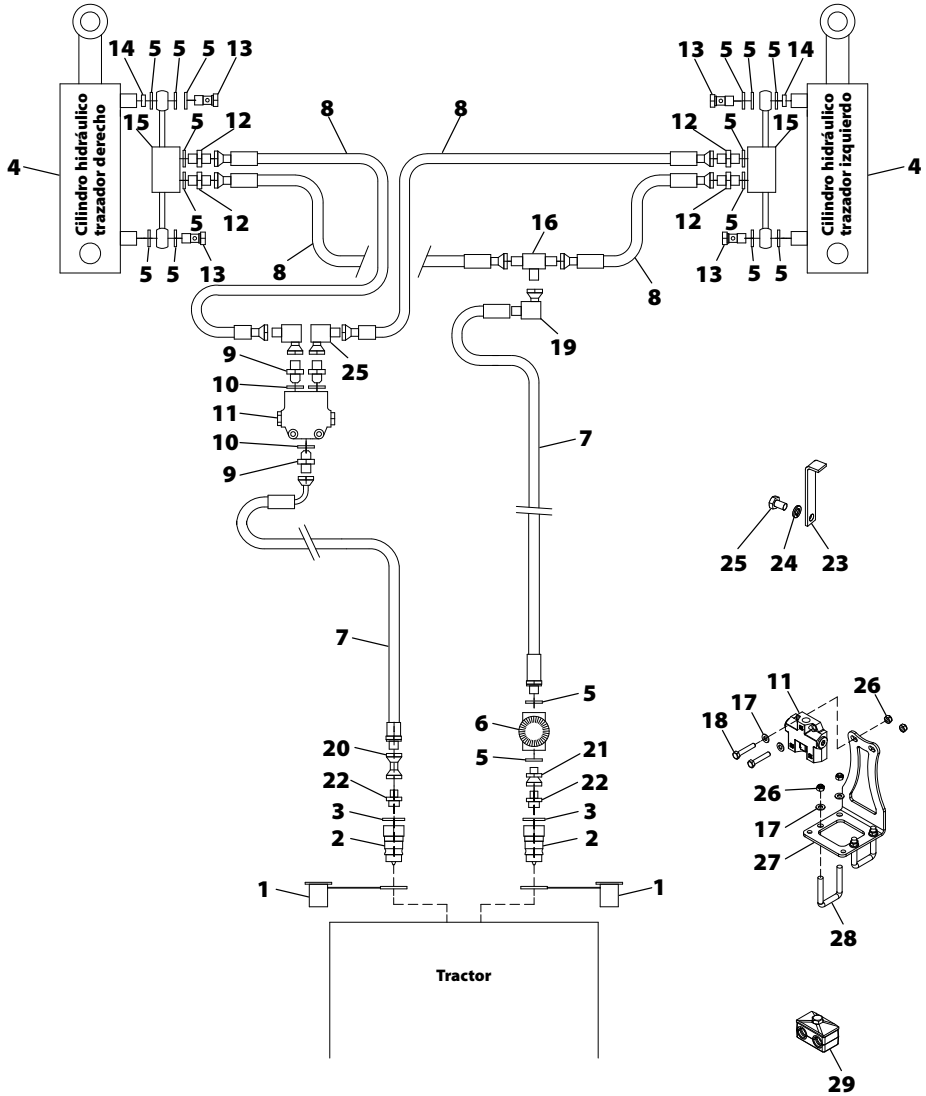
N°	REFERENCIA	DENOMINACIÓN
30	HI-700295	TUBO R2AT 1/4" L=1,15M H90G 3/8"-H90G 3/8"
31	HI-704005	RACOR CODO MACHO OR.3/8"
32	HI-704019	RACOR UNION HG3/8"-HG3/8"
33	HI-702002	TORNILLO DOBLE DE 3/8"



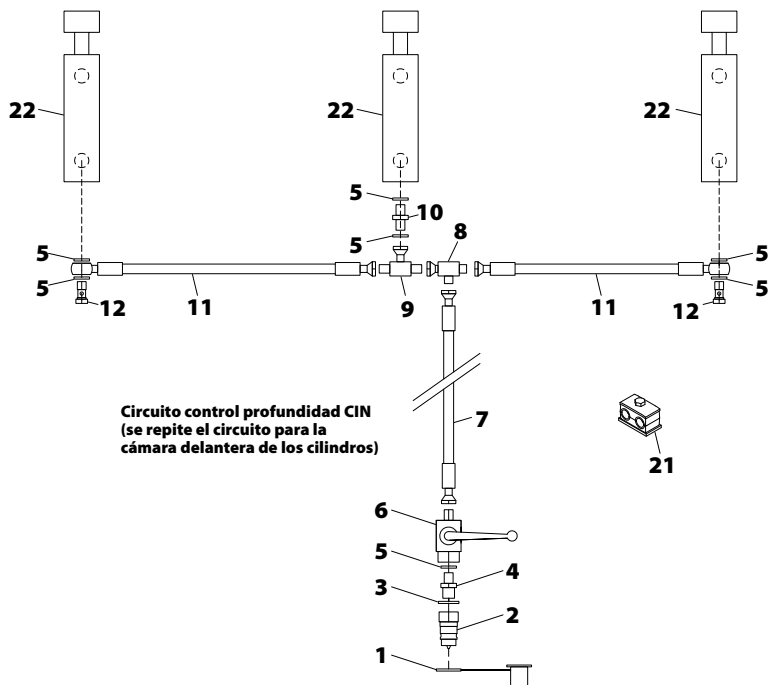
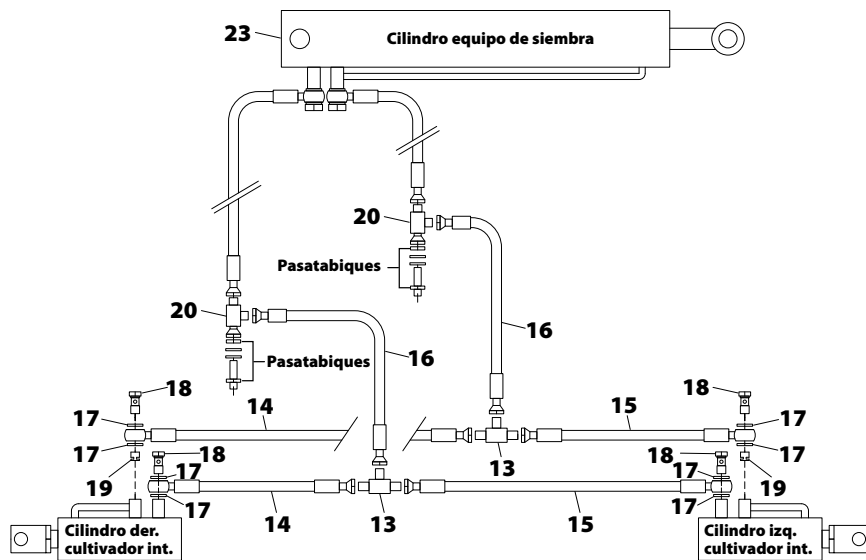
Nº	REFERENCIA	DENOMINACIÓN
1	HI-707001	PROTECTOR P/ACOPLAMIENTO HIDR. RÁPIDO HEMBRA 1/2
2	HI-701000	ENCHUFE RÁPIDO MACHO 1/2" CETOP ISO A - TIPO FASTE
3	HI-705002	ARANDELA METALBUNA 1/2"
4	CO-052801	CILINDRO D.E. Ø40-25/580-820
5	HI-705003	ARANDELA METALBUNA 3/8"
6	HI-706002	ESTRANGULADOR UNIDIREC. FT 3/8"
7	HI-700071	TUBO R2AT 3/8" L=1,9M TL 3/8"-M 3/8"
8	HI-700188	TUBO R2AT 3/8" L=4,3M TL 3/8"-M 3/8"
9	HI-704030	RACOR UNIÓN MF3/4"JIC- MF3/8" CÓNICO 60°
10	3770 14X2.5	JUNTA TÓRICA DIN 3770 14X2.5
11	HI-706013	VÁLVULA DE SECUENCIA SQV PROSEM
12	HI-704007	RACOR UNIÓN MF3/8"-MF3/8"
13	HI-702001	TORNILLO SIMPLE DE 3/8"
14	ME-102816	RESTRICTOR ACEITE CIRCUITO TRAZADOR
15	HI-706031	VÁLVULA ANTIRETORNO PILOTADA D.E 3/8" L=280
16	HI-703006	RACOR T M3/8"-M3/8" M3/8"
17	127 8 BI	ARANDELA DIN 127 M8 BICROMATADA
18	933 8X50 8.8 B	TORNILLO DIN 933 M8X50 8.8 BICROMATADO
19	HI-704082	RACOR CODO 90° TL 3/8" - M 3/8"
20	HI-704019	RACOR UNIÓN HG3/8"-HG3/8"
21	HI-704017	RACOR UNIÓN MF3/8"-HG3/8"
22	HI-704006	RACOR UNIÓN MF1/2"-MF3/8"
23	EE-071315	BRIDA LARGA SUJECCIÓN LATIGUILLOS NEUMASEM
24	127 10 BI	ARANDELA GROWER DIN 127 M10 BICROMATADA
25	933 10X15 8.8 B	TORNILLO DIN 933 M10X15 8.8 BICROMATADO
26	HI-700186	TUBO R2AT 1/4" L=3M TL 3/8"-TL 3/8" PARA MÁQ. 400/450/500
26	HI-700232	TUBO R2AT 1/4" L=3.5M TL 3/8"-TL 3/8" PARA MÁQ. 600
27	HI-700233	TUBO R2AT 1/4" L=5M TL 3/8"-TL 3/8" PARA MÁQ. 400/450/500
27	HI-700231	TUBO R2AT 1/4" L=5,5M TL 3/8"-TL 3/8" PARA MÁQ. 600



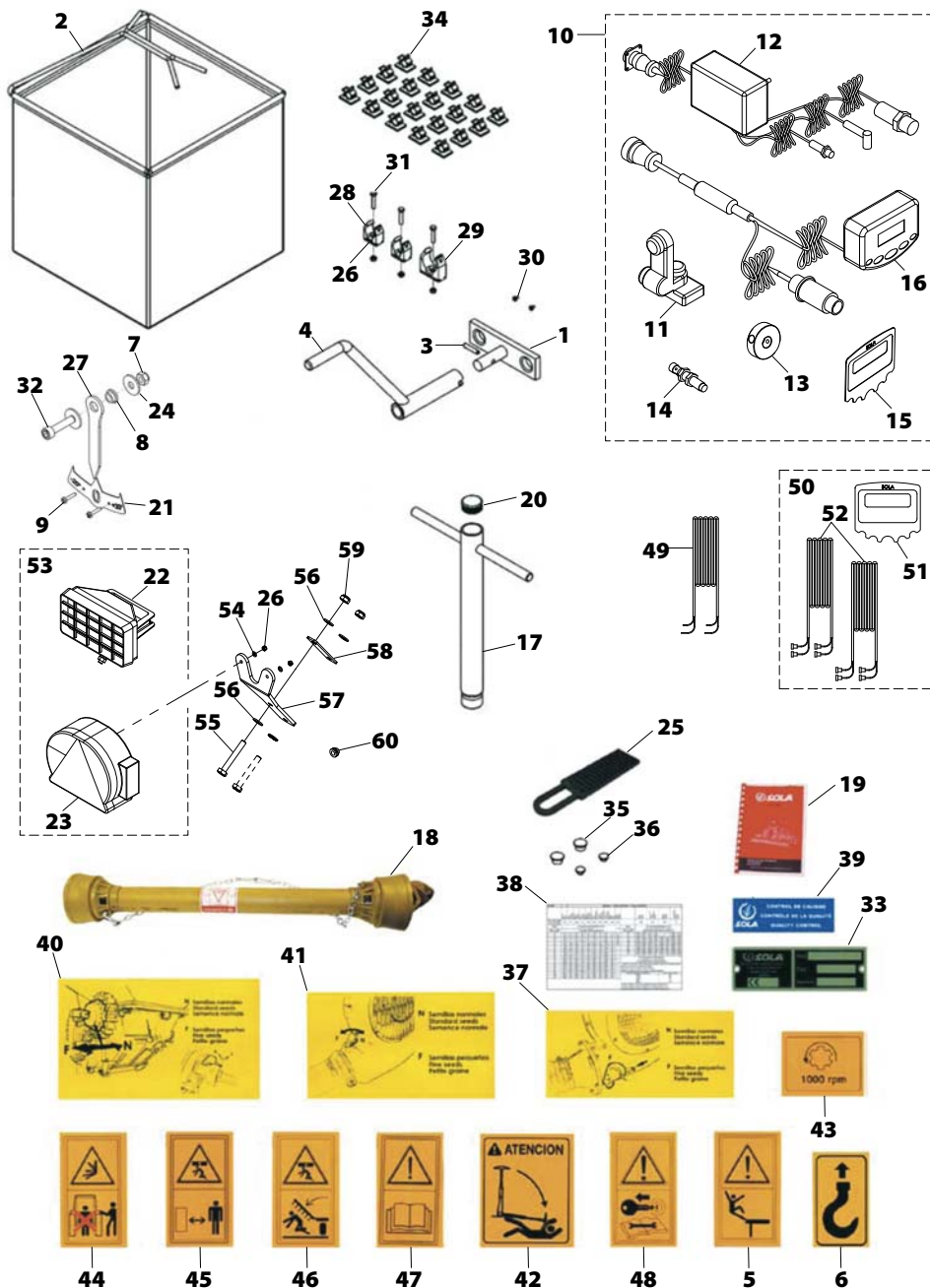
Nº	REFERENCIA	DENOMINACIÓN
1	HI-707001	PROTECTOR P/ACOPLAMIENTO HIDR. RÁPIDO HEMBRA 1/2
2	HI-701000	ENCHUFE RÁPIDO MACHO 1/2" CETOP ISO A - TIPO FASTE
3	HI-705002	ARANDELA METALBUNA 1/2"
4	CO-052801	CILINDRO D.E. Ø40-25/580-820
5	HI-705003	ARANDELA METALBUNA 3/8"
6	HI-706002	ESTRANGULADOR UNIDIREC. FT 3/8"
7	HI-700188	TUBO R2AT 3/8" L=4,3M TL 3/8"-M 3/8"
8	HI-700094	TUBO R2AT 1/4" L=3,25M TL 3/8"-H90°G 3/8" NS PLUS 2311 600
8	HI-700085	TUBO R2AT 1/4" L=2,75M TL 3/8"-H90°G 3/8" NS PLUS 2311 500
8	HI-700089	TUBO R2AT 1/4" L=2,25M TL 3/8"- H90°G 3/8" NS PLUS 2311 400
9	HI-704030	RACOR UNIÓN MF3/4"JIC -MF3/8" CÓNICO 60°
10	3770 14X2.5	JUNTA TÓRICA DIN 3770 14X2.5
11	HI-706013	VÁLVULA DE SECUENCIA SQV PROSEM
12	HI-704007	RACOR UNIÓN MF3/8"-MF3/8"
13	HI-702001	TORNILLO SIMPLE DE 3/8"
14	ME-102816	RESTRICTOR ACEITE CIRCUITO TRAZADOR
15	HI-706031	VÁLVULA ANTIRETORNO PILOTADA D.E 3/8" L=280
16	HI-703006	RACOR T M3/8"-M3/8" M3/8"
17	125 8	ARANDELA PLANA DIN 125 M8
18	933 8X45 8.8 B	TORNILLO DIN 933 M8X45 8.8 BICROMATADO
19	HI-704082	RACOR CODO 90° TL 3/8" - M 3/8"
20	HI-704019	RACOR UNIÓN HG3/8"-HG3/8"
21	HI-704017	RACOR UNIÓN MF3/8"-HG3/8"
22	HI-704006	RACOR UNIÓN MF1/2"-MF3/8"
23	EE-071315	BRIDA LARGA SUJECCIÓN LATIGUILLOS NEUMASEM
24	127 10 BI	ARANDELA GROWER DIN 127 M10 BICROMATADA
25	933 10X15 8.8 B	TORNILLO DIN 933 M10X15 8.8 BICROMATADO
26	985 8	TUERCA DIN 985 M8
27	PX-103803	SOPORTE VÁLVULA SECUENCIAL
28	EE-072807	BRIDA "U" 70 M8 L=90
29	HI-708001	BRIDA DOBLE Ø15 PARA TUBO R2-AT 1/4



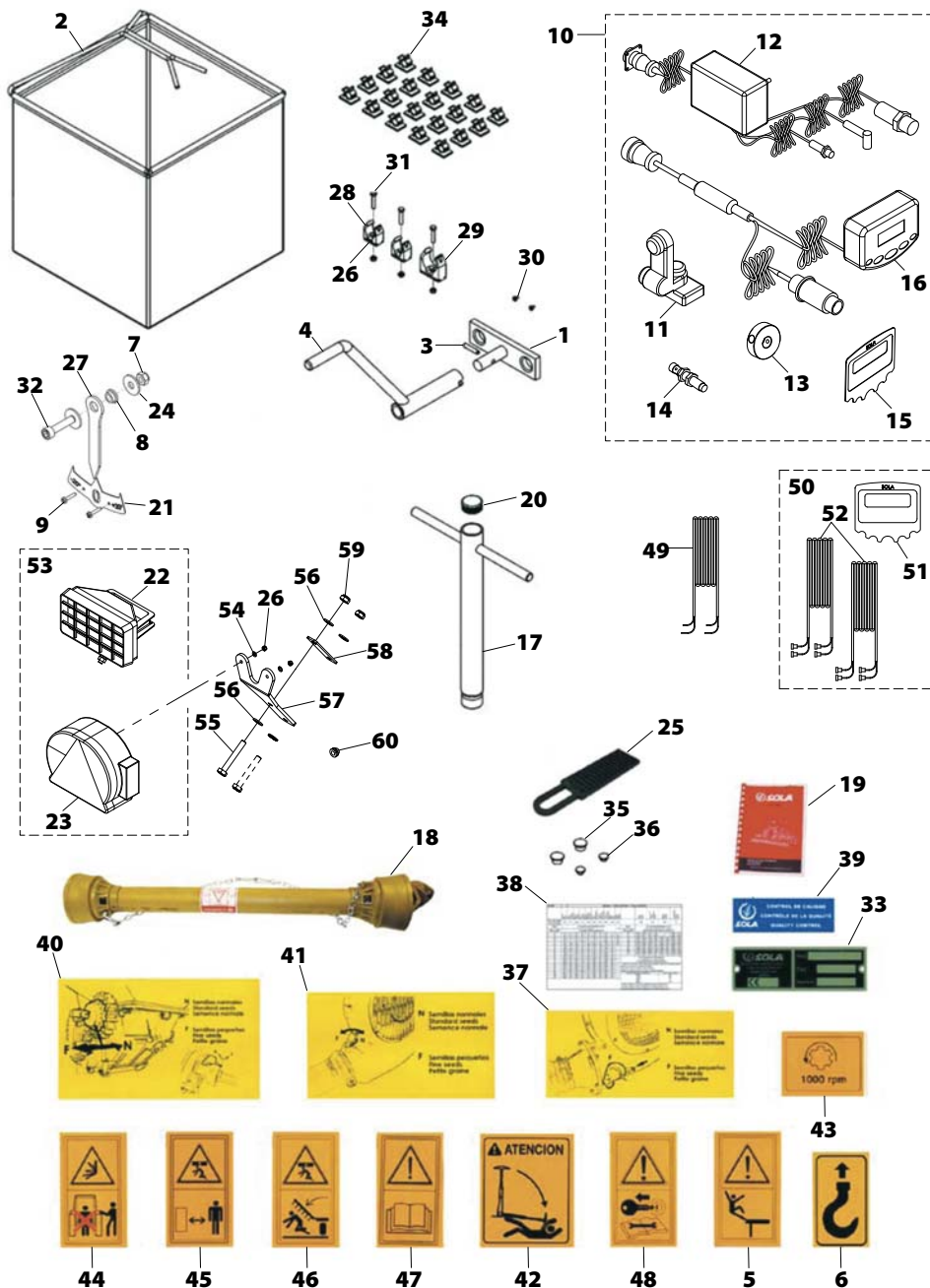
Nº	REFERENCIA	DENOMINACIÓN
1	HI-707001	PROTECTOR P/ACOPLAMIENTO HIDR. RAPIDO HEMBRA 1/2
2	HI-701000	ENCHUFE RÁPIDO MACHO 1/2" CETOP ISO A - TIPO FASTE
3	HI-705002	ARANDELA METALBUNA 1/2"
4	HI-704008	RACOR UNIÓN MF 1/4"-MF 1/2"
5	HI-705001	ARANDELA METALBUNA 1/4
6	HI-706009	VÁLVULA 1/4" MF1/4 IZQ HF1/4 DER
7	HI-700066	TUBO R2AT 1/4" L=1,5M TL 1/4"-TL 1/4"
8	HI-703016	RACOR T M1/4"-M1/4" HG LATERAL 1/4"
9	HI-703010	RACOR T MF1/4"-MF1/4" HG 1/4" CENTRAL
10	HI-704010	RACOR UNION M1/4"-M1/4"
11	HI-700308	TUBO R2AT 1/4" L=2,9M E 1/4"-TL 1/4" NS PLUS 600
11	HI-700361	TUBO R2AT 1/4" L=2,64M E 1/4"-TL 1/4" NS PLUS 500
11	HI-700391	TUBO R2AT 1/4" L=2,53M E 1/4"-TL 1/4" NS PLUS 450
11	HI-700362	TUBO R2AT 1/4" L=2,42M E 1/4"-TL 1/4" NS PLUS 400
12	HI-700200	TUBO R2AT 3/8" L=0,9M H90°G 3/8"-H90°G 3/8"SAE
13	HI-703006	RACOR T M3/8"-M3/8" M3/8"
14	HI-700049	TUBO R2AT 1/4" L=0,82M TL 3/8"-E 3/8"
15	HI-700266	TUBO R2AT 1/4" L=1,45M E3/8"- H45°G 3/8" A 0°
16	HI-700131	TUBO R2AT 1/4" L=1,05M TL 3/8"-TL 3/8"
17	HI-705003	ARANDELA METALBUNA 3/8"
18	HI-702001	TORNILLO SIMPLE DE 3/8"
19	HI-706003	VALV. PARACAIDAS HVP 3/8"
20	HI-703005	RACOR T M3/8"-M3/8" HG LATERAL 3/8"
21	HI-708001	BRIDA DOBLE Ø15 PARA TUBO R2-AT 1/4"
22	CO-061305	CILINDRO DOBLE EFECTO Ø 20/40 Z=75 mm
23	CO-052802	CILINDRO EQUIPO SIEMBRA 2010 SM-1909
23	CO-051308	CILINDRO EQUIPO SIEMBRA DOBLE DISCO



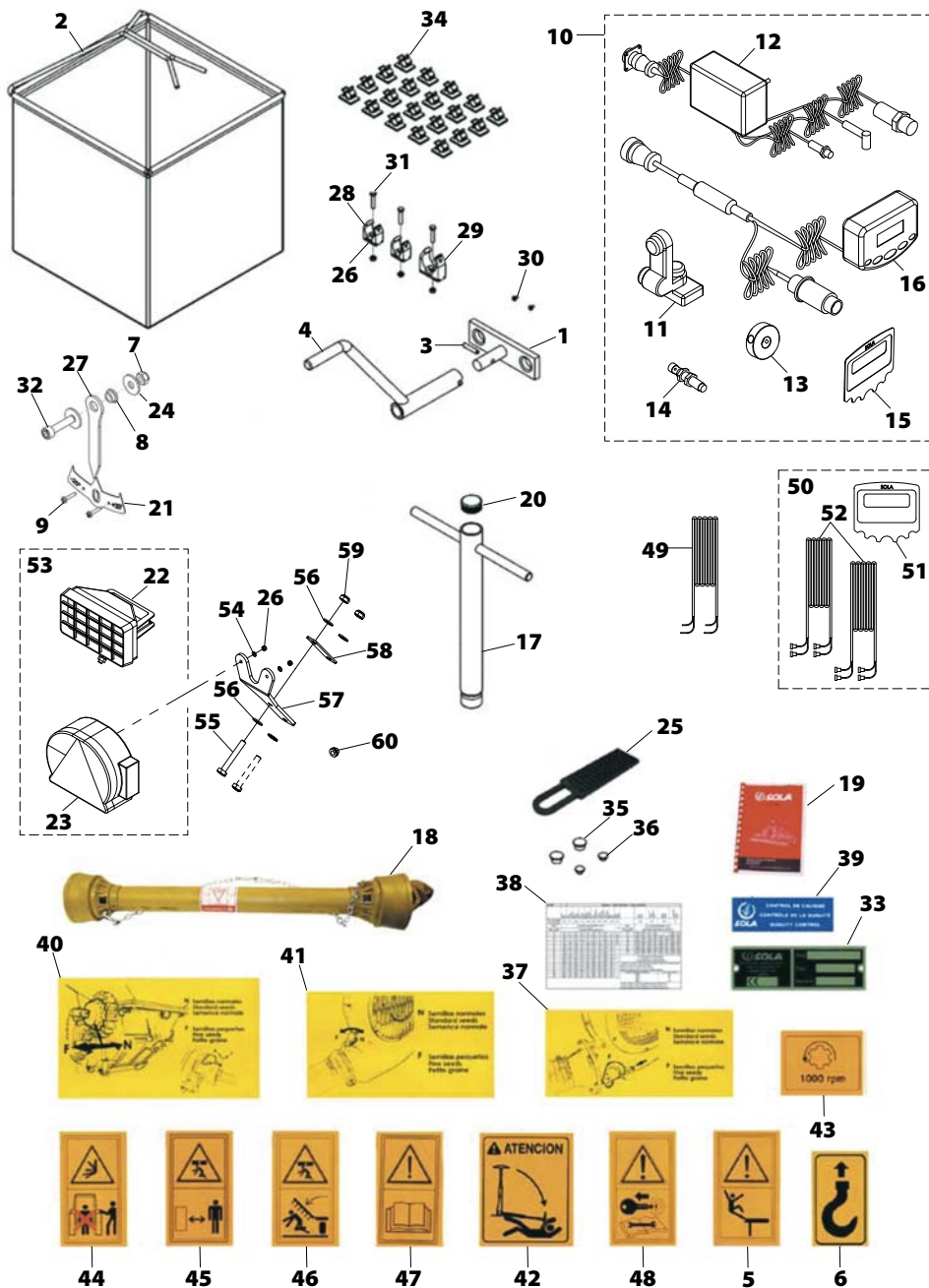
Nº	REFERENCIA	DENOMINACIÓN
1	PS-041312	ALOJAMIENTO MANIVELA RUED FLOTATION NEUMASEM
2	MO-072812	BOLSA CALIBRACIÓN SEMILLA 30X30X30 2011
3	1481 6X30 BI	PASADOR ELÁSTICO DIN 1481 M 6X30 BICROMATADO
4	CO-070300	MANIVELA HUSILLOS 888 - TRI - SD
5	AD-070215	ADHESIVO «PELIGRO CAÍDA»
6	AD-075104	ADHESIVO «PUNTO DE ENGANCHE»
7	985 8	TUERCA DIN 985 M8
8	PL-072800	CASQUILLO 16X12X8
9	FE-602013	REMACHE ALUMÍNIO Ø3,2X20
10	MV-101334	CONTROLADOR SEMBRADORA RDS NEUMÁTICA - KIT BASE
11	MV-101334-06	SOPORTE ANCLAJE MONITOR NEUMASEM RDS
12	MV-101334-03	CABLEADO KIT BASE
13	MV-101334-04	IMÁN RDS
14	MV-101334-05	SENSOR INDUCTIVO TURBINA RDS 2012
15	MV-101334-02	CARÁTULA MONITOR NEUMASEM
16	MV-101334-01	MONITOR NEUMASEM-NEUMASEM PLUS RDS
17	PS-102806	BARRA LLAVE RUEDAS LATERALES
18	FE-608006	TRANSMISIÓN 2C04/1000/KH/X300-X300
19	CN-811067	MANUAL INSTRUCCIONES SOLA NS-PLUS
19	CN-811067/GB	MANUAL INSTRUCCIONES SOLA NS-PLUS INGLES
19	CN-811067/FR	MANUAL INSTRUCCIONES SOLA NS-PLUS FRANCES
20	FE-611012	TAPÓN PLÁSTICO NEGRO Ø32 E=1-3
21	PX-072805	CHAPA PORTALUCES FIJ RULO
22	MV-071301	FARO DE TRABAJO RECTNGUL
23	MV-071306-03	LUZ NEUMASEM 2010 DER
23	MV-071306-01	LUZ NEUMASEM 2010 IZQ
24	9021 8 BI	ARANDELA PLANA DIN 9021 M8 BICROMATADA
25	PL-100204	CUENTA SEMILLAS (100 UNIDADES)
26	985 5	TUERCA DIN 985 M5 BICROMATADA
27	PX-072802	AGUJA NIVEL MÁQUINA



Nº	REFERENCIA	DENOMINACIÓN
28	FE-611015	ABRAZADERA PLÁSTICO Ø20
29	FE-611014	ABRAZADERA PLÁSTICO Ø32
30	FE-602001	REMACHE ALUMINIO 3,2X6
31	933 5X25 8.8 BI	TORNILLO DIN 933 M5X25 8.8 BICROMATADO
32	912 8X35 8.8 B	TORNILLO DIN 912 M8X35 8.8 BICROMATADO
33	AD-070217	PLACA PATENTE 100X33 ALUMINIO MATE
34	FE-606007	ABRAZADERA AUTOADHESIVA 7,9-10,3 - SR-1789/460307
35	FE-611013	TAPÓN PLÁSTICO Ø9
36	PL-021303	TAPÓN FORMA BARRIL Ø 9,3
37	AD-041303	ADHESIVO PASO N-F TURBINA GRANDE
38	AD-072810	TABLA DOSIFICACIÓN DISTRIBUIDOR
39	AD-070211	ADHESIVO CONTROL CALIDAD SOLA - TRILINGÜE
40	AD-041304	ADHESIVO POSICIONES N-F DISTRIBUIDOR NEUMASEM
41	AD-041302	ADHESIVO PASO N-F TURBINA PEQUEÑA NEUMASEM
42	AD-100200	ADHESIVO «PELIGRO DESCENSO TRAZADOR»
43	AD-071307	ADHESIVO 1000 RPM NEUMASEM
44	AD-070214	ADHESIVO «PELIGRO MANIOBRA ENGANCHE»
45	AD-070207	ADHESIVO «PELIGRO APLASTAMIENTO»
46	AD-071302	ADHESIVO «PELIGRO DESCENSO EQUIPO»
47	AD-070206	ADHESIVO «LEER LIBRO DE INSTRUCCIONES»
48	AD-070227	ADHESIVO "PARAR MOTOR"
49	MV-101335	CONTROLADOR RDS - KIT 2 CORTE TOTAL/PARCIAL
50	MV-101336	CONTROLADOR RDS - KIT 3 SISTEMA TRAMLINES
51	MV-101336-01	CARATULA MONITOR NEUMASEM-PLUS
52	MV-101336-02	SENSOR MAGNÉTICO TRAZADOR C/CABLE (1 UNIDAD)
53	MV-071306	LUCES NEUMASEM 2010 (FAROS + PILOTOS)
54	125 5 BI	ARANDELA PLANA DIN-125 M5 BICROMATADA
55	931 10X70 8.8 B	TORNILLO DIN 931 M10X70 8.8 BICROMATADO
56	125 10 BI	ARANDELA PLANA DIN 125 M10 BICROMATADA
57	PX-201344	PORTALUCES CARRETERA NS-PLUS DISCOS



Nº	REFERENCIA	DENOMINACIÓN
58	PX-201345	PLETINA COLLADO LICES CARRETERA
59	985 10	TUERCA DIN 985 M10
60	MV-071306-02	GOMA PASACABLES NEUMASEM 2010



DATE	NOTES
------	-------



MAQUINARIA AGRÍCOLA SOLÁ, S.L.

Ctra. de Igualada, s/n. Apdo. Correos, 11
08280 **CALAF** (Barcelona) ESPAÑA

Tel. 34 93 868 00 60*

Fax. 34 93 868 00 55

www.solagrupo.com

e-mail: sola@solagrupo.com